

United States Patent [19]

Wavre

[11] Patent Number: **Des. 283,495**

[45] Date of Patent: **** Apr. 22, 1986**

[54] **ANTITHEFT UNIT**

[75] Inventor: **Andre Wavre, Geneva, Switzerland**

[73] Assignee: **3S S.A., Geneva, Switzerland**

[**] Term: **14 Years**

[21] Appl. No.: **657,871**

[22] Filed: **Oct. 3, 1984**

[52] U.S. Cl. **D10/106**

[58] Field of Search **D10/104, 106, 121;**
340/500, 506, 508, 552, 525; 179/5 R

[56] **References Cited**

U.S. PATENT DOCUMENTS

D. 245,589 8/1977 Ott **D10/121**

D. 249,249 9/1978 Gibbs **D10/106**

3,229,274 1/1966 Riley et al. 340/693

4,524,354 6/1985 Morgan 340/525

Primary Examiner—**B. J. Bullock**

Assistant Examiner—**Suzanne N. Gitlin**

Attorney, Agent, or Firm—**Anthony A. O'Brien**

[57] **CLAIM**

The ornamental design for an antitheft unit, as shown.

DESCRIPTION

FIG. 1 is a front elevational view of an antitheft unit showing my new design;

FIG. 2 is an enlarged perspective view thereof;

FIG. 3 is a bottom plan view thereof;

FIG. 4 is a top plan view thereof;

FIG. 5 is a side elevational view taken from the right of FIG. 1.

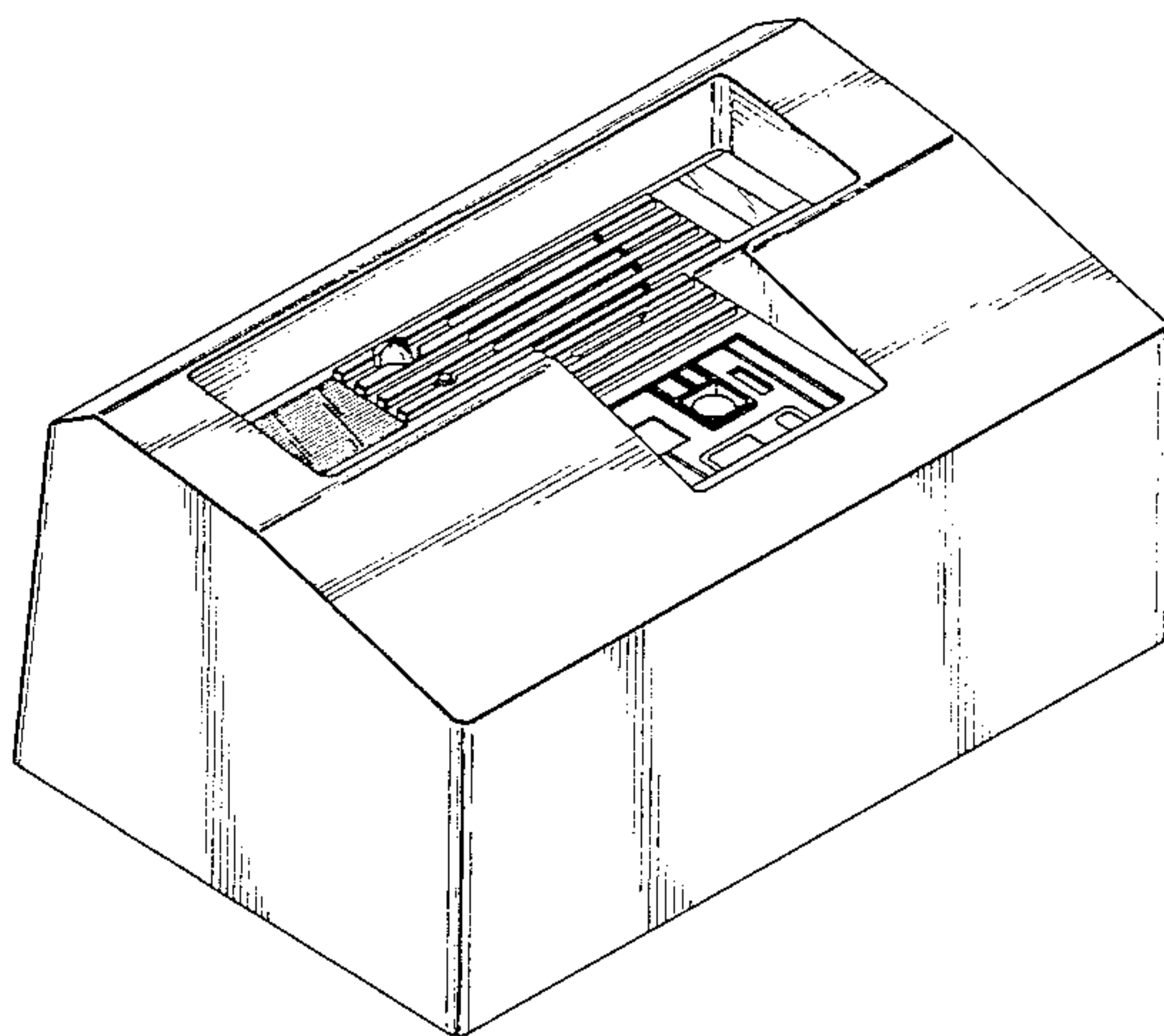


FIG 1

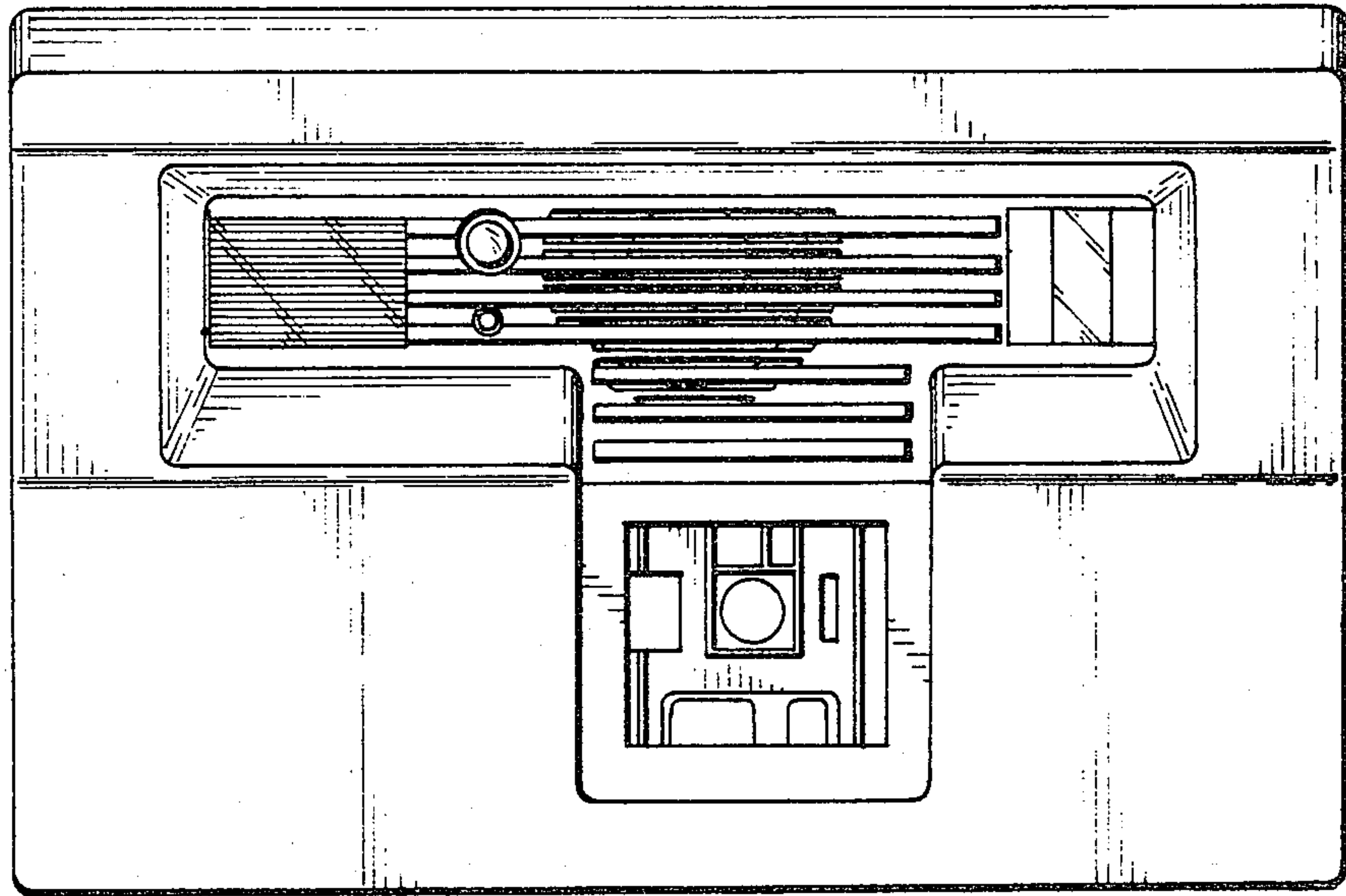
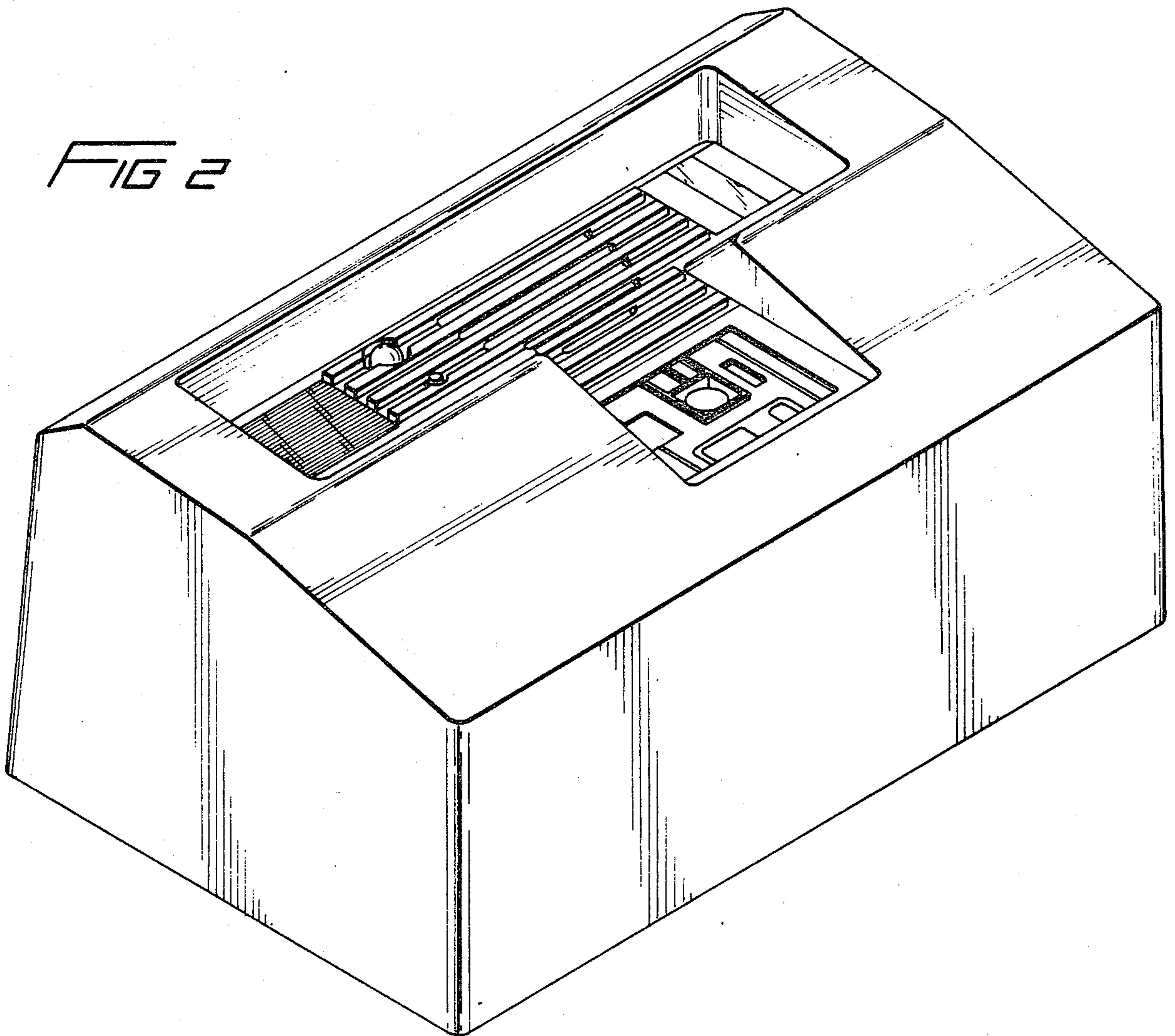


FIG 2



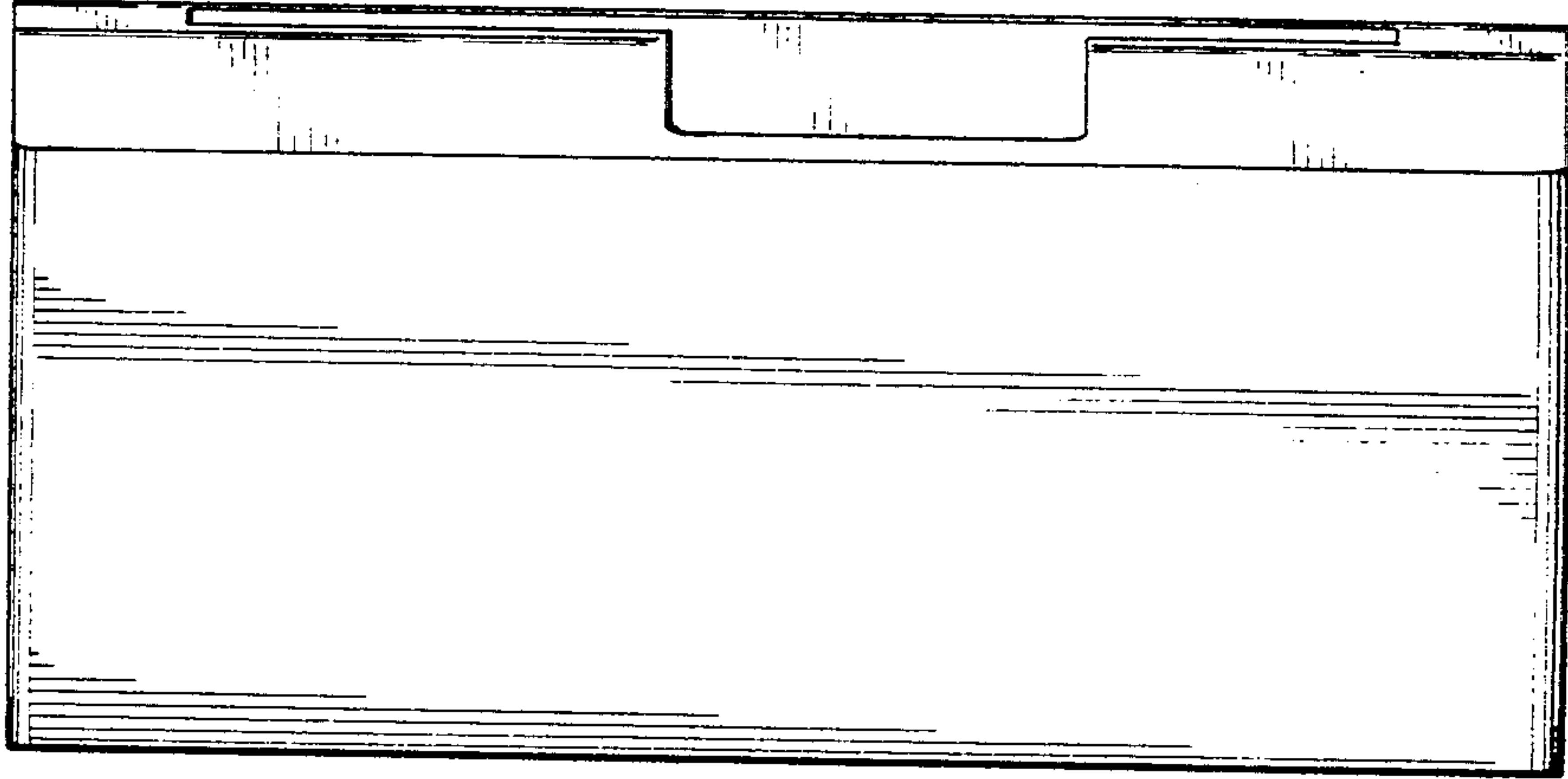


FIG 3

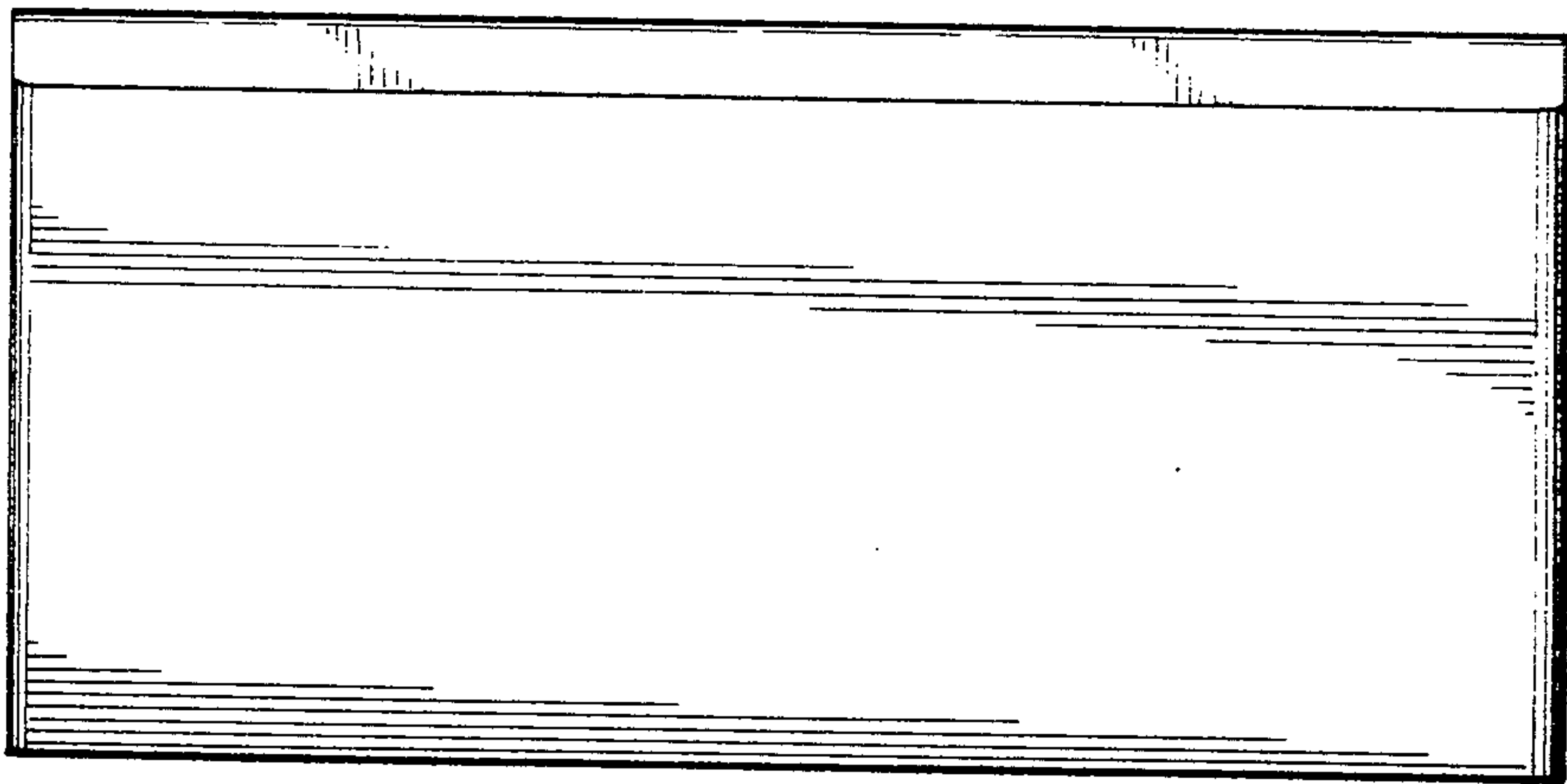


FIG 4

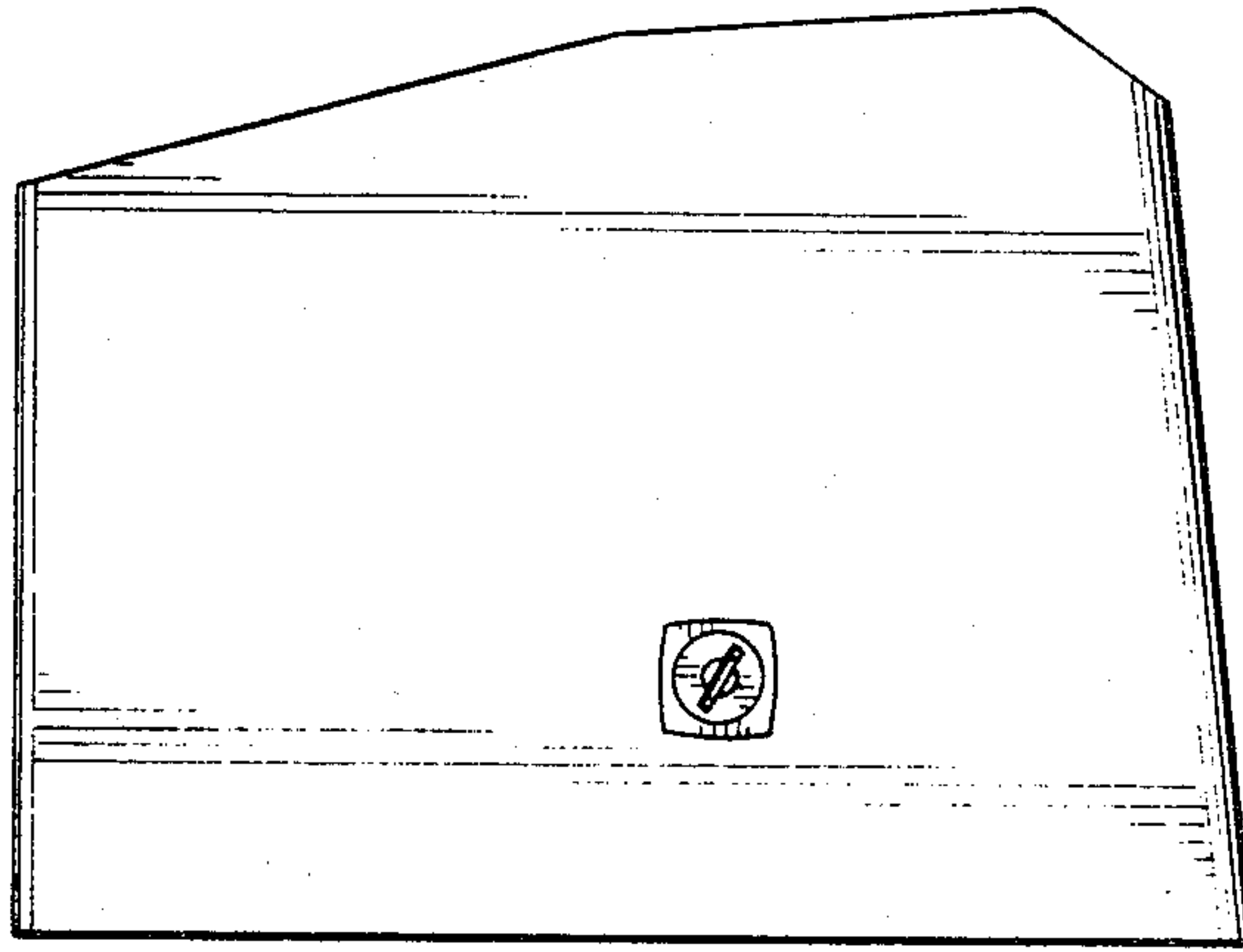


FIG 5