

- [54] **RADIO SIGNAL CONTROLLED LASER BEAM INTERRUPTING DITCH SLOPE INDICATOR**
- [76] Inventor: **Jimmy C. Simmons**, 4701 Wheatland, Enid, Okla. 73701
- [**] Term: **14 Years**
- [21] Appl. No.: **565,669**
- [22] Filed: **Dec. 27, 1983**
- [52] U.S. Cl. **D10/65; D10/66; D12/6**
- [58] Field of Search **D10/46, 65, 66, 74; D12/6; 33/293, DIG. 21**

4,490,919 1/1985 Feist et al. 33/DIG. 21

OTHER PUBLICATIONS

Laser Instruments for Engineering Construction, from Spectra-Physics.

Primary Examiner—Louis S. Zarfaz
Attorney, Agent, or Firm—Robert K. Rhea

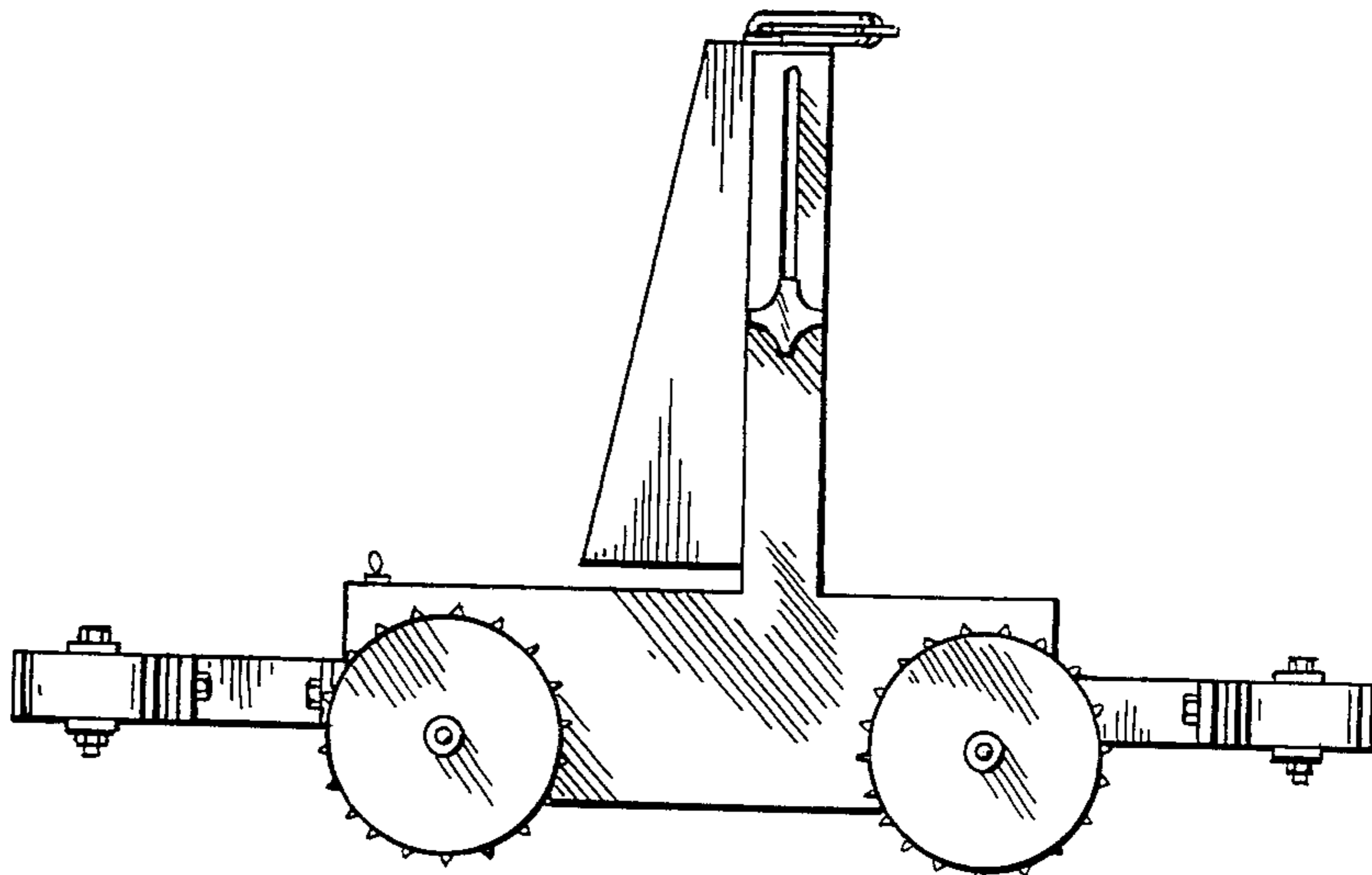
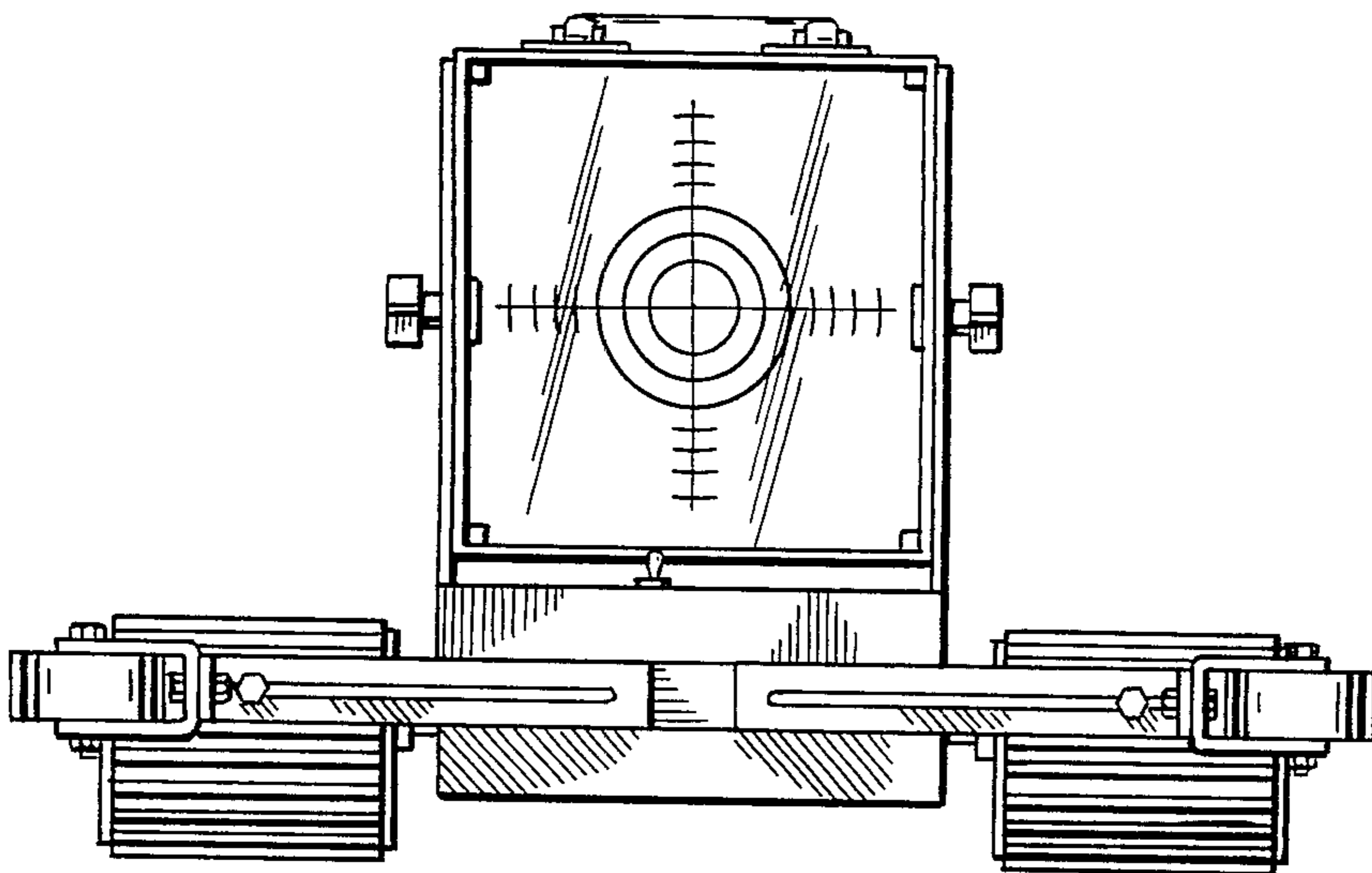
[57] CLAIM

The ornamental design for a radio signal controlled laser beam interrupting ditch slope indicator, as shown and described.

DESCRIPTION

FIG. 1 is a front elevational view of the radio signal controlled laser beam interrupting ditch slope indicator showing my new design;
 FIG. 2 is a top view thereof;
 FIG. 3 is a right side view thereof, the view from the opposite side being a mirror image;
 FIG. 4 is a rear view thereof; and,
 FIG. 5 is a bottom view thereof.

- [56] **References Cited**
- U.S. PATENT DOCUMENTS**
- D. 203,873 2/1966 Kielhorn D10/74 X
- D. 235,527 6/1975 Dransfield D12/6 X
- D. 236,593 9/1975 Katayama D10/66
- D. 259,406 6/1981 Jacobson D10/46



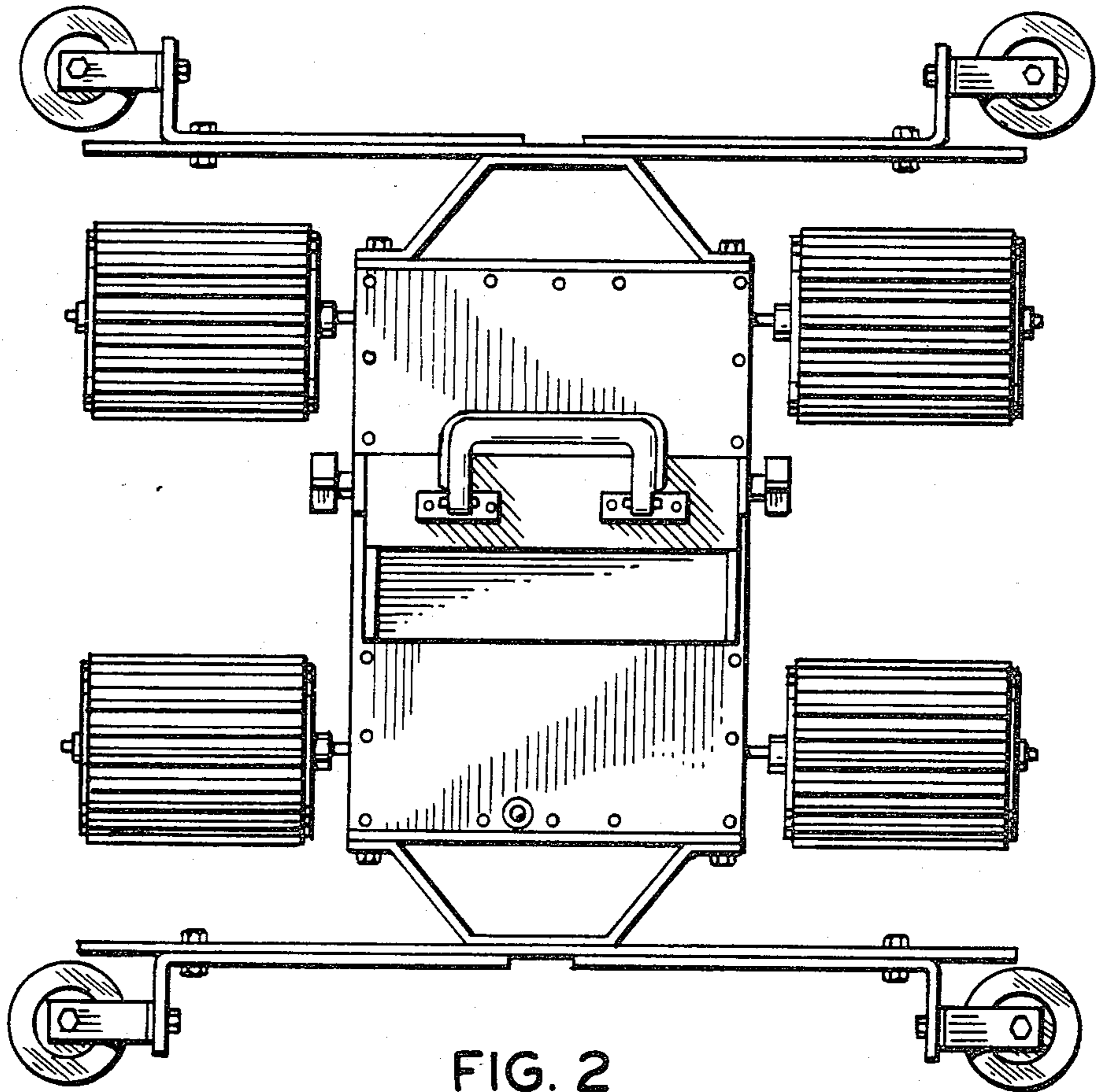


FIG. 2

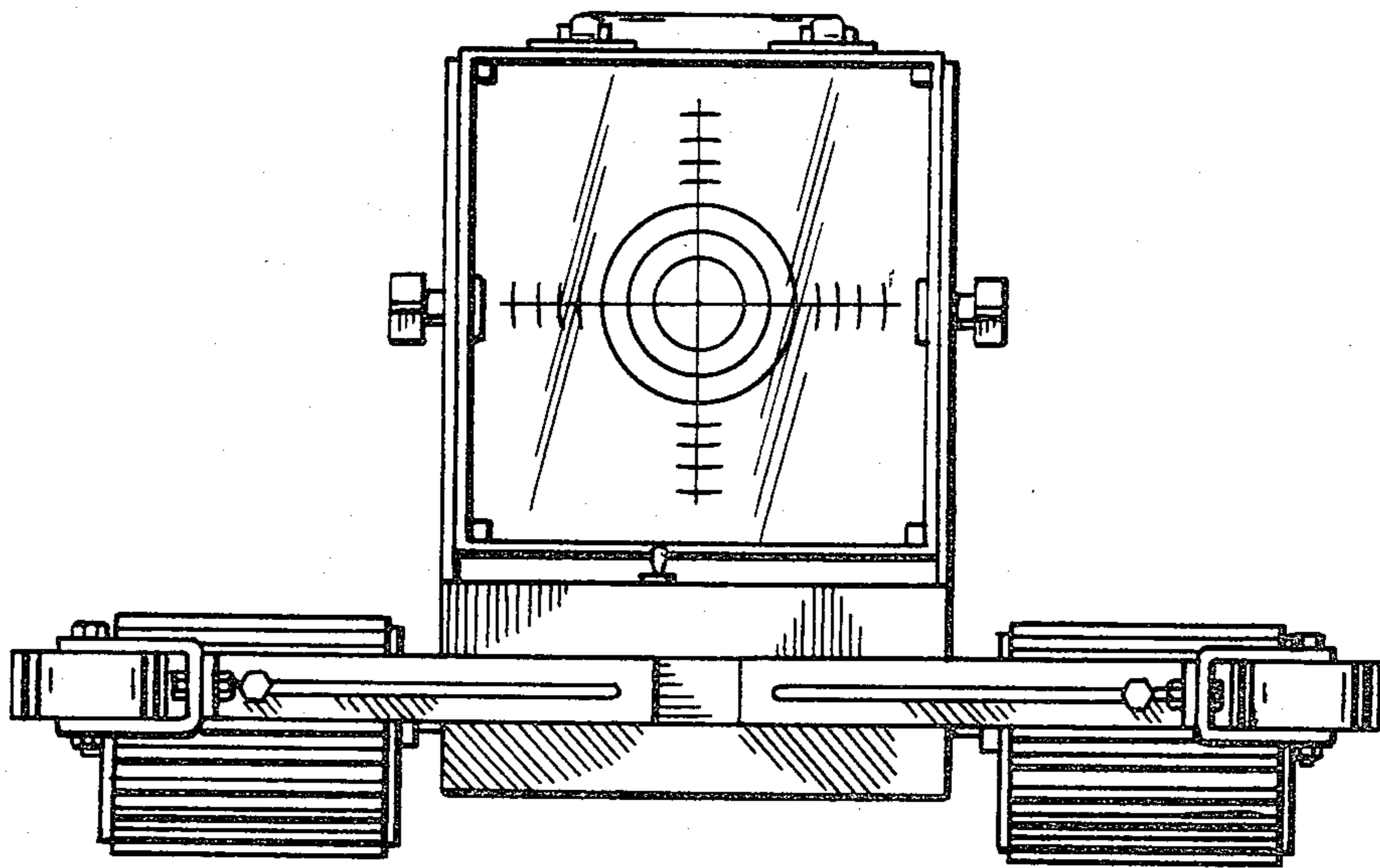


FIG. 1

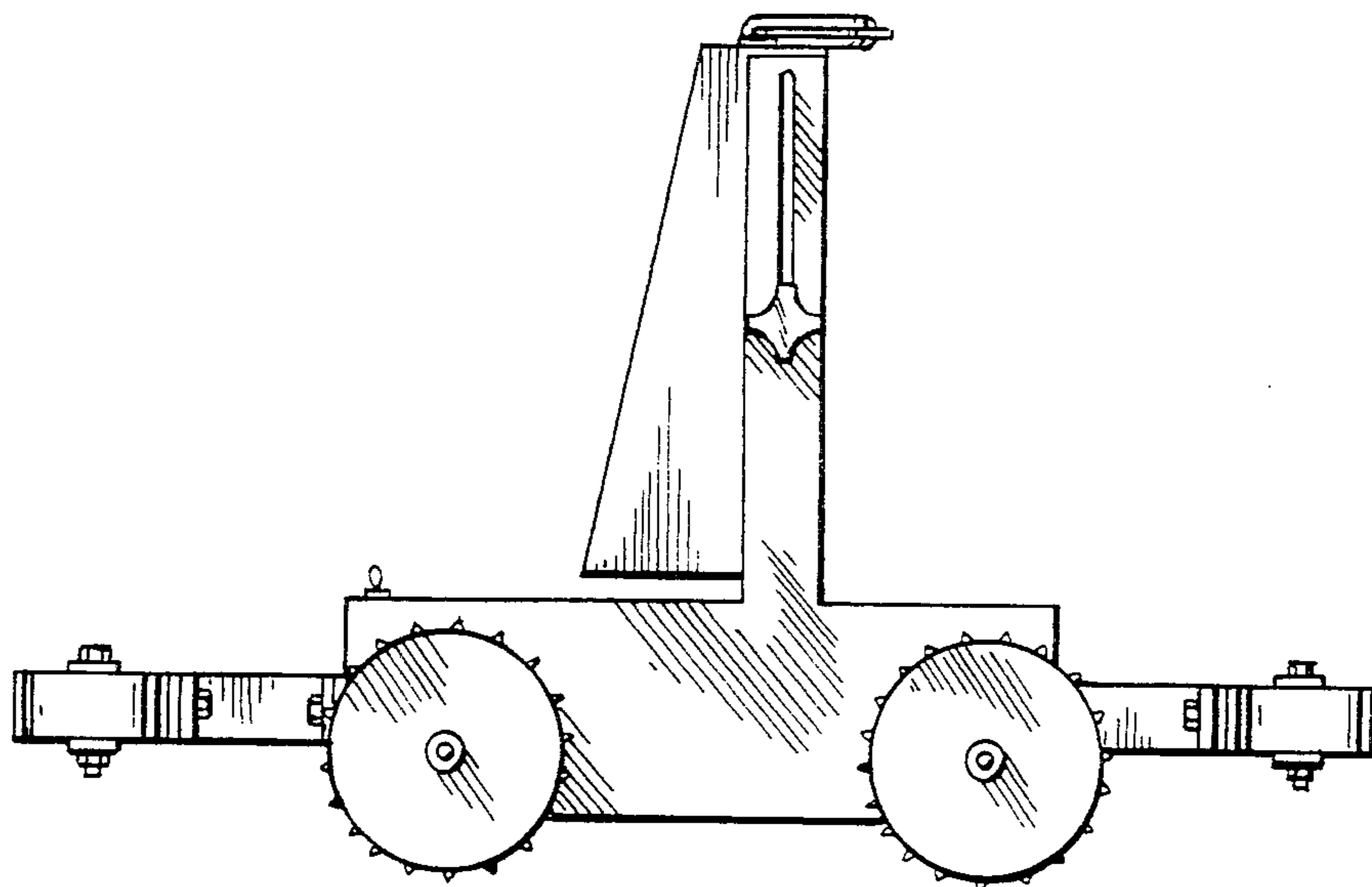


FIG. 3

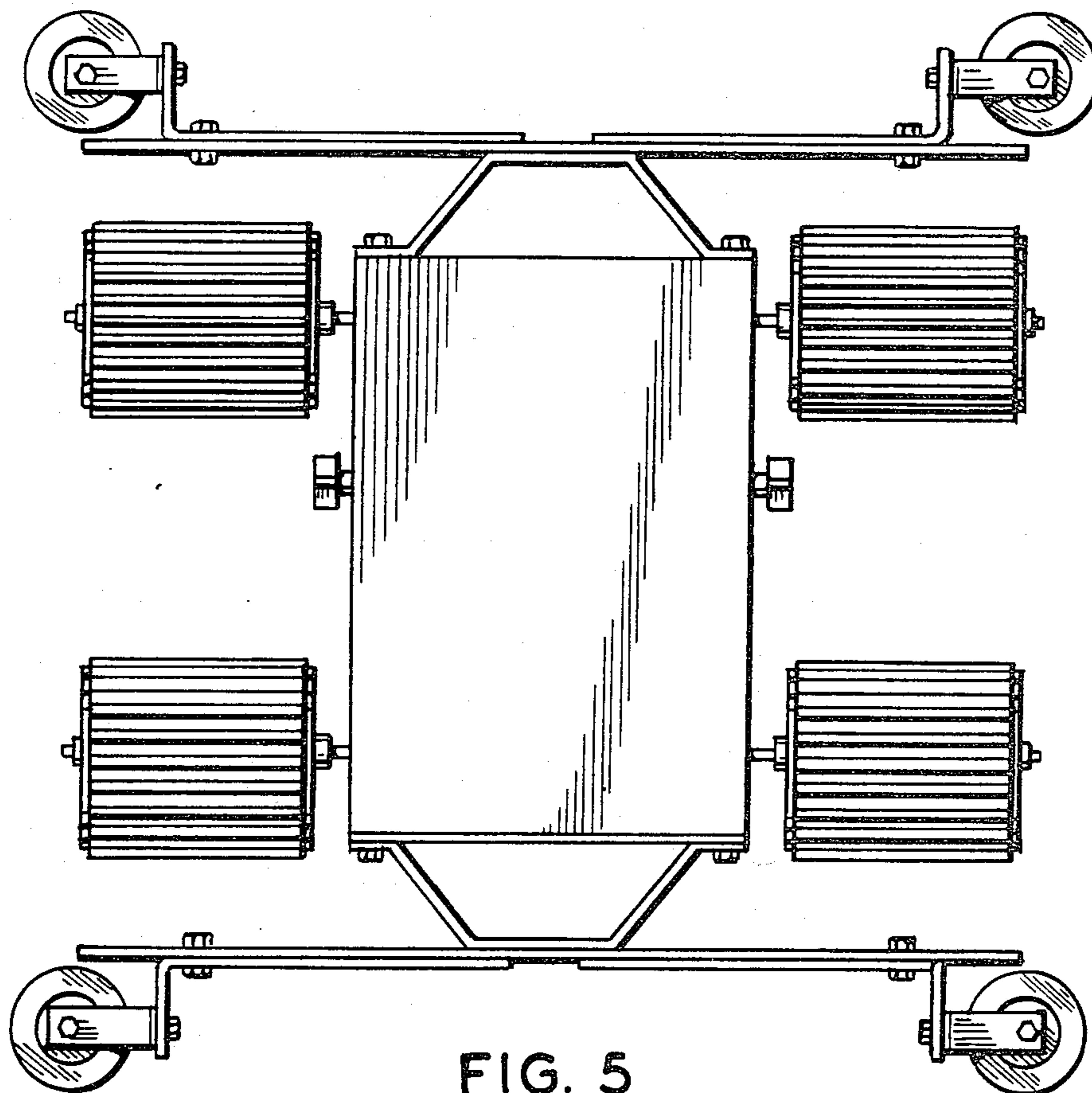


FIG. 5

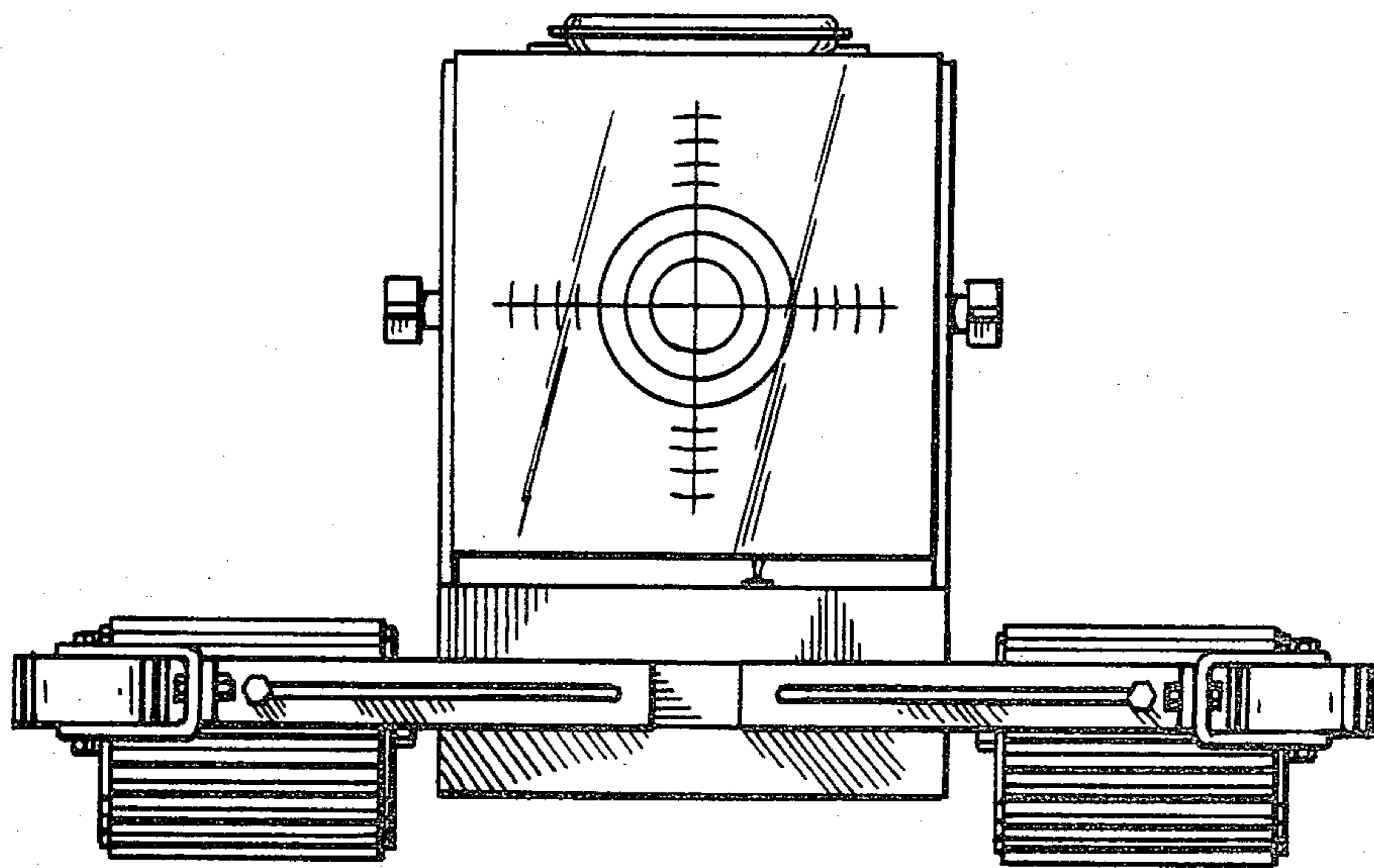


FIG. 4