

[54] PACKAGING CONTAINER FOR AN ELECTRICAL SWITCH

[75] Inventor: James T. Stevens, San Antonio, Tex.

[73] Assignee: Power Controls Corp., San Antonio, Tex.

[**] Term: 14 Years

[21] Appl. No.: 559,954

[22] Filed: Dec. 9, 1983

[52] U.S. Cl. D9/345; D9/415; D9/425

[58] Field of Search 206/328, 332, 460, 461, 206/462, 463, 470, 495; D9/415, 424, 341, 345, 425, 426

[56] References Cited

U.S. PATENT DOCUMENTS

| | | | |
|------------|---------|------------------|---------|
| D. 216,251 | 12/1969 | Offray, Jr. | D9/415 |
| 3,463,309 | 8/1969 | Szostek | 206/470 |
| 4,383,607 | 5/1983 | Lordahl | 206/470 |
| 4,499,353 | 2/1985 | Shields | 206/470 |

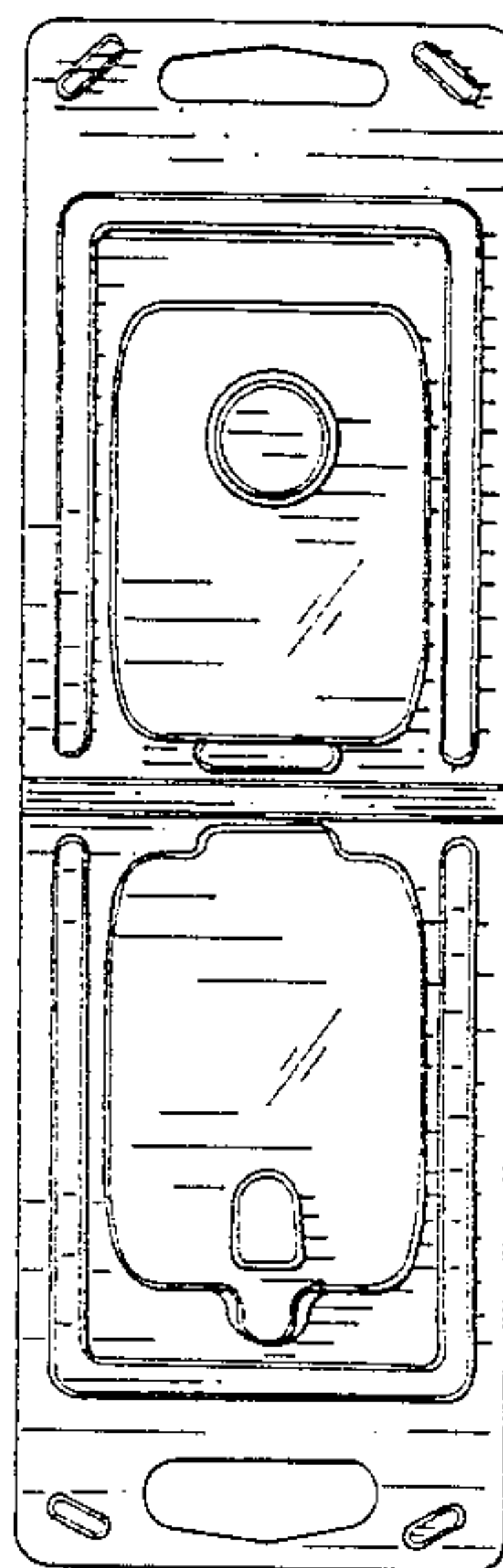
Primary Examiner—Robert C. Spangler
Attorney, Agent, or Firm—Gunn, Lee & Jackson

[57] CLAIM

The ornamental design for a packaging container for an electrical switch, as shown.

DESCRIPTION

FIG. 1 is a top view of a packaging container for an electrical switch showing my new design; FIG. 2 is a side elevational view thereof; FIG. 3 is an end elevational view thereof; FIG. 4 is a bottom perspective view; and FIG. 5 is an end elevational view showing the end opposite that seen in FIG. 3.



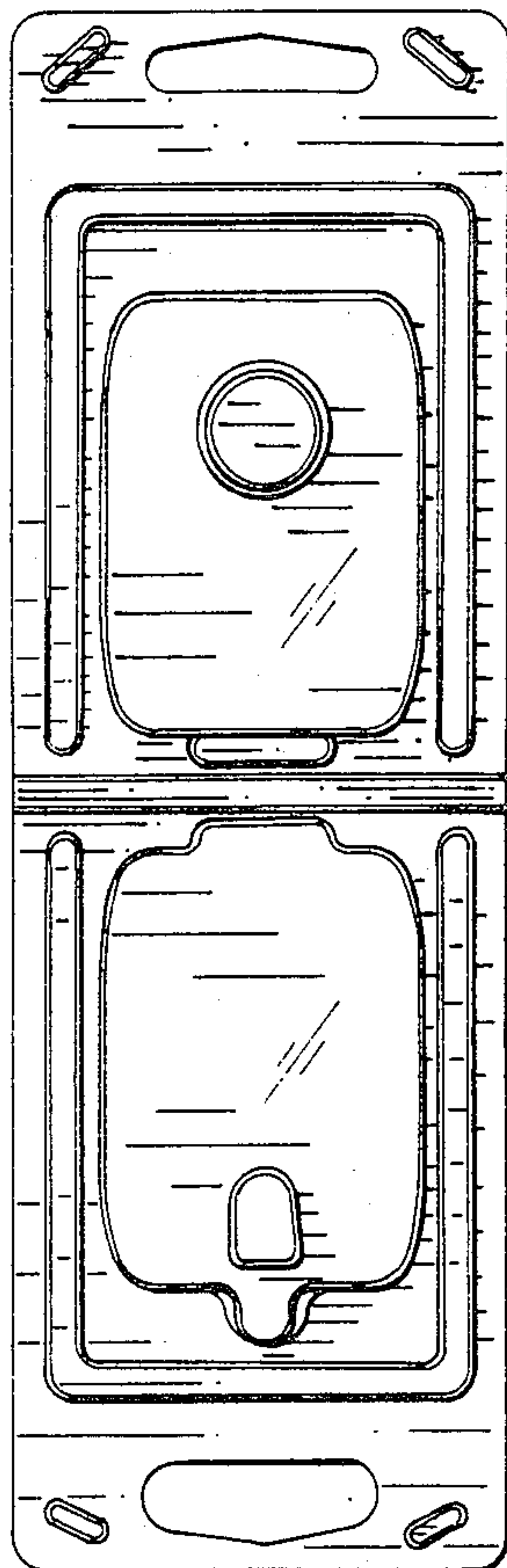


FIG. 1

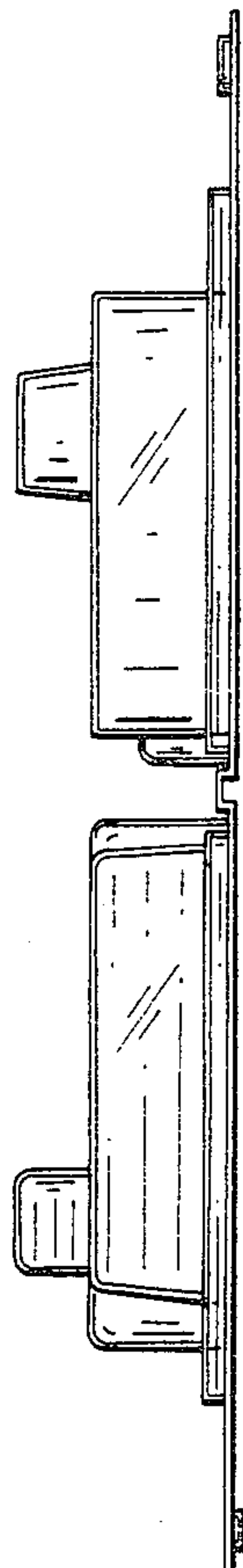


FIG. 2

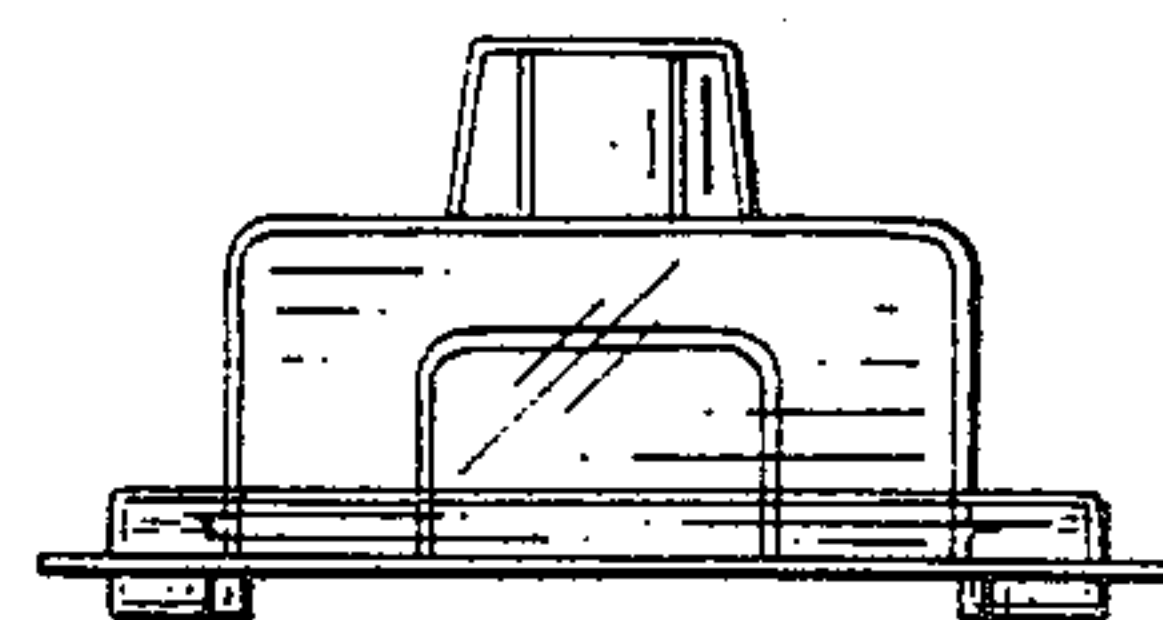


FIG. 5

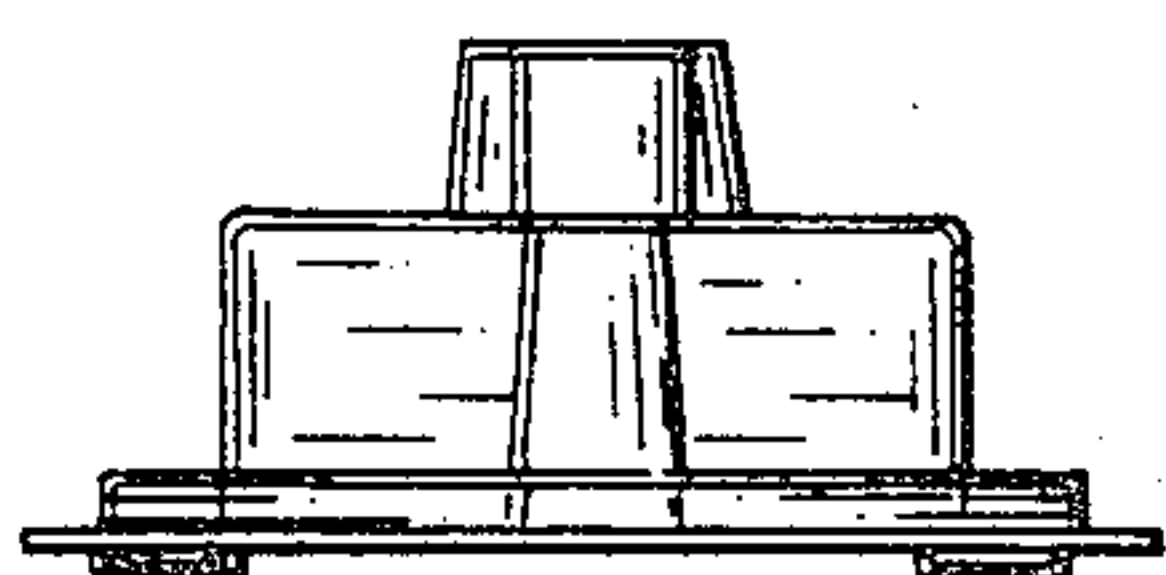


FIG. 3

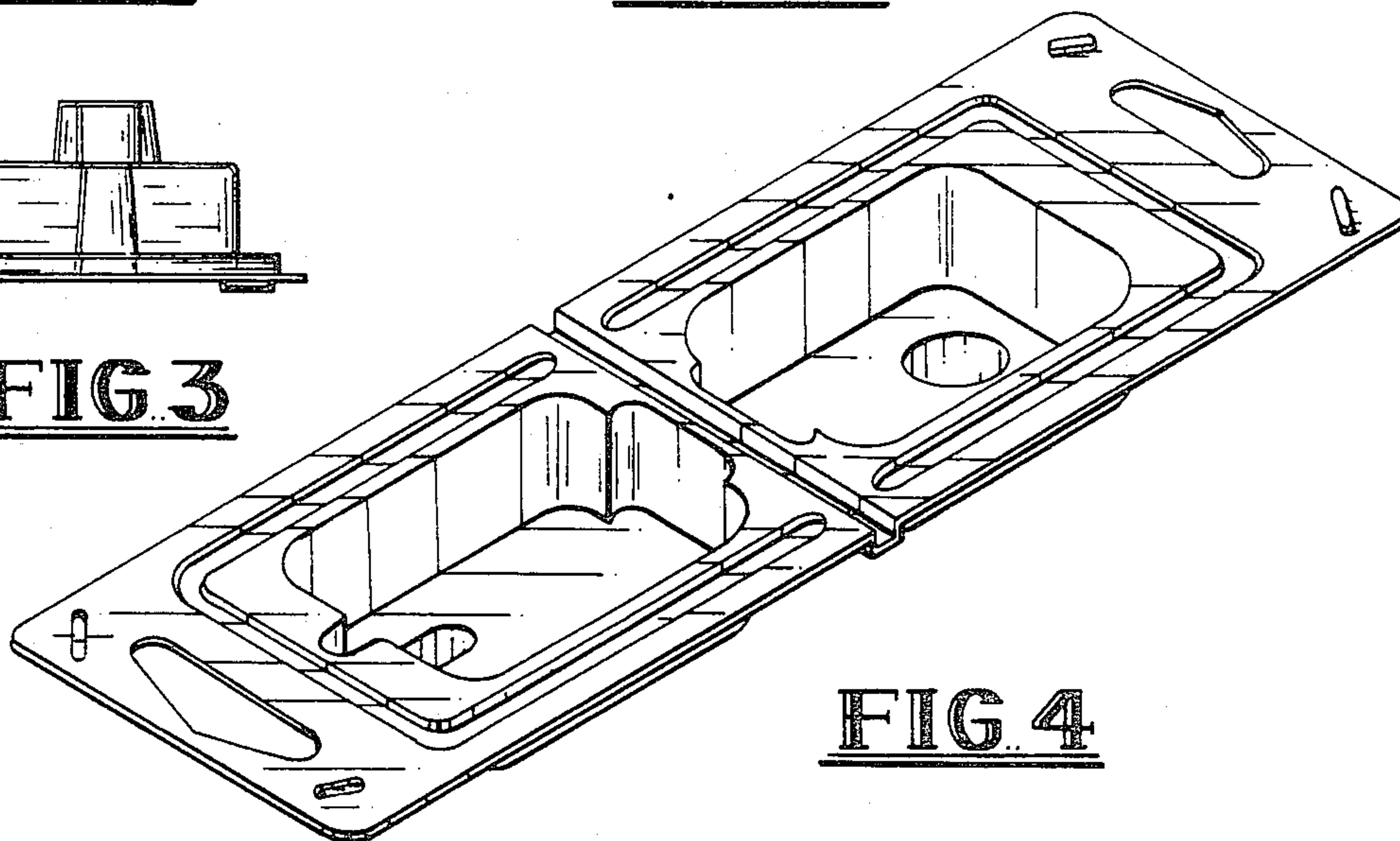


FIG. 4

Disclaimer

Des. No. 283,489.—*James T. Stevens*, San Antonio, Tex. PACKAGING CONTAINER FOR AN ELECTRICAL SWITCH. Patent dated Apr. 22, 1986. Disclaimer filed Apr. 11, 1986, by the assignee, *Power Controls Corp.*

The term of this patent subsequent to Dec. 3, 1999, has been disclaimed.
[*Official Gazette July 8, 1986.*]