

[54] **PACKAGING CONTAINER FOR AN ELECTRICAL SWITCH**

[75] **Inventor: James T. Stevens, San Antonio, Tex.**

[73] **Assignee: Power Controls Corp., San Antonio, Tex.**

[\*\*] **Term: 14 Years**

[21] **Appl. No.: 559,955**

[22] **Filed: Dec. 9, 1983**

[52] **U.S. Cl. .... D9/345; D9/415; D9/425**

[58] **Field of Search ..... 206/328, 332, 460, 461, 206/462, 463, 470, 495; D9/415, 424, 341, 425, 426, 345**

[56] **References Cited**

**U.S. PATENT DOCUMENTS**

D. 216,251	12/1969	Offray, Jr. ....	D9/415
3,463,309	8/1969	Szostek .....	206/470
4,383,607	5/1983	Lordahl .....	206/470
4,499,353	2/1985	Shields .....	206/470

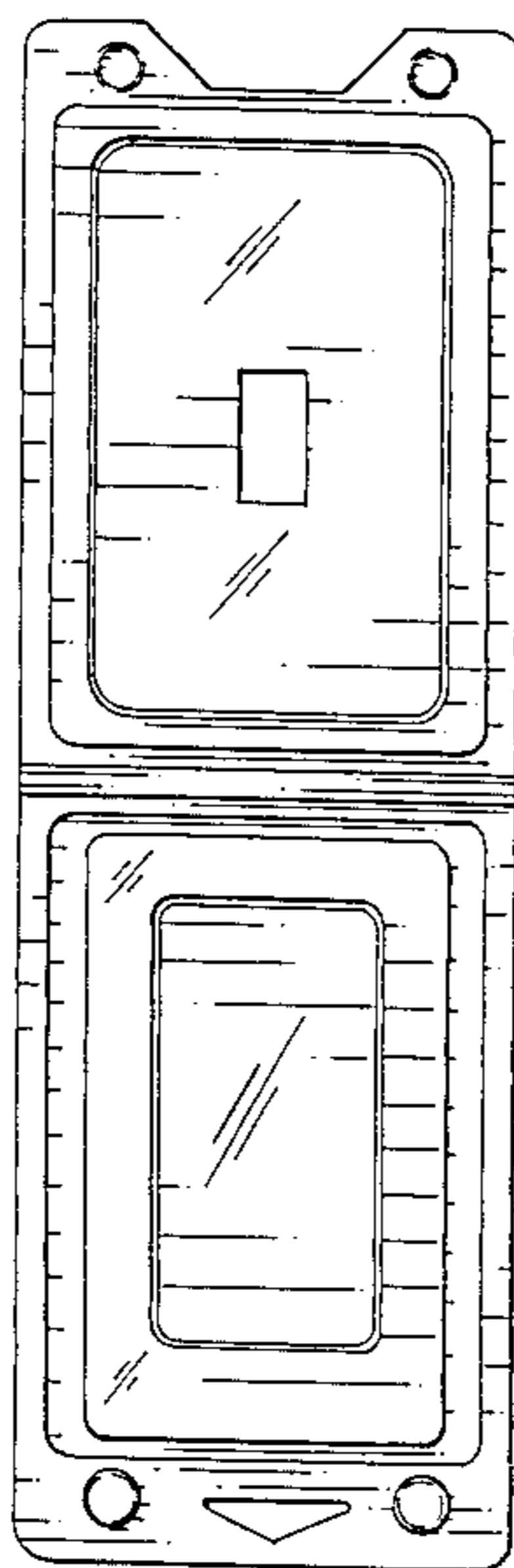
*Primary Examiner*—Robert C. Spangler  
*Attorney, Agent, or Firm*—Gunn, Lee & Jackson

[57] **CLAIM**

The ornamental design for a packaging container for an electrical switch, as shown.

**DESCRIPTION**

FIG. 1 is a top view of a packaging container for an electrical switch showing my new design; FIG. 2 is a side elevational view thereof; FIG. 3 is an end elevational view thereof; FIG. 4 is a bottom perspective view; and FIG. 5 is an end elevational view showing the end opposite that seen in FIG. 3.



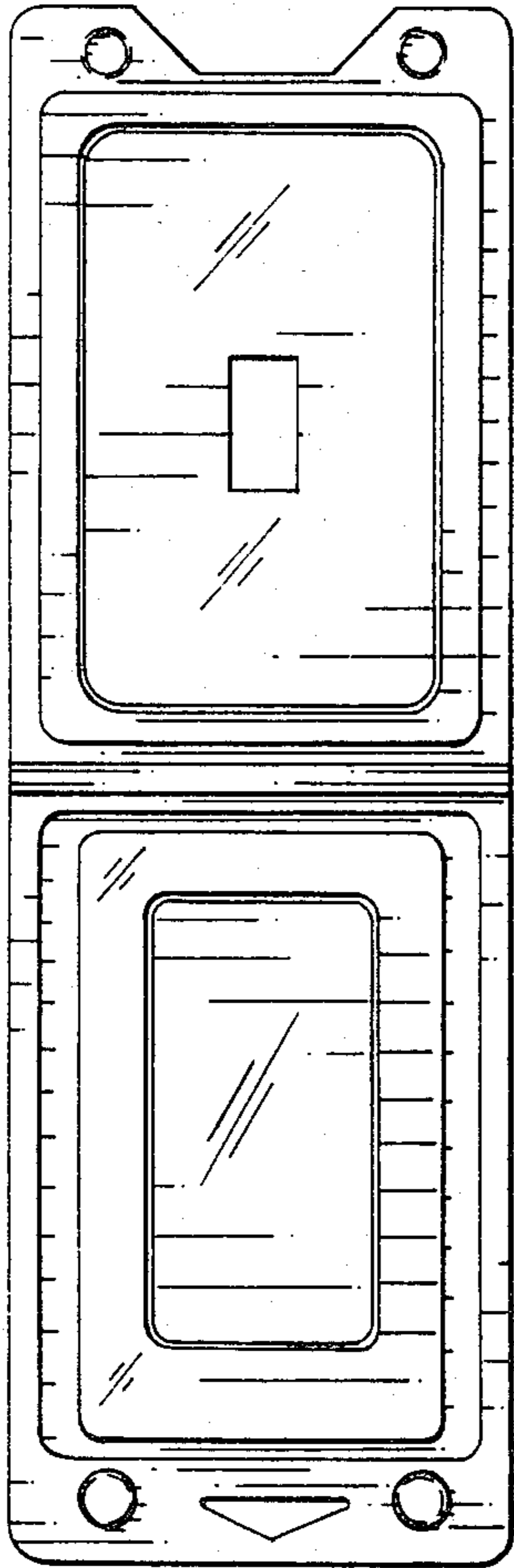


FIG. 1

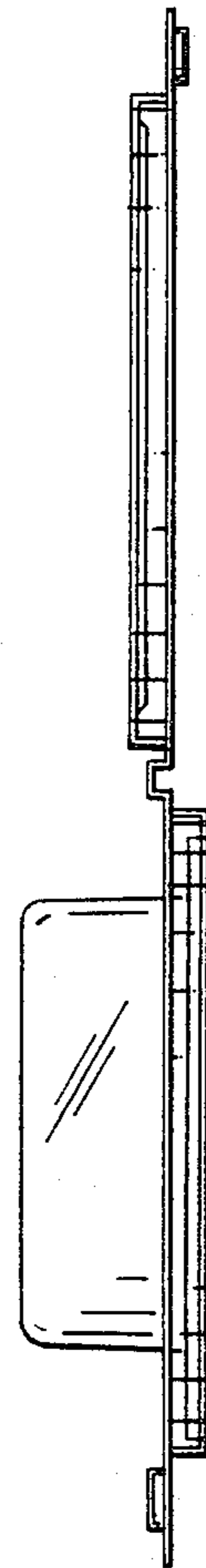


FIG. 2

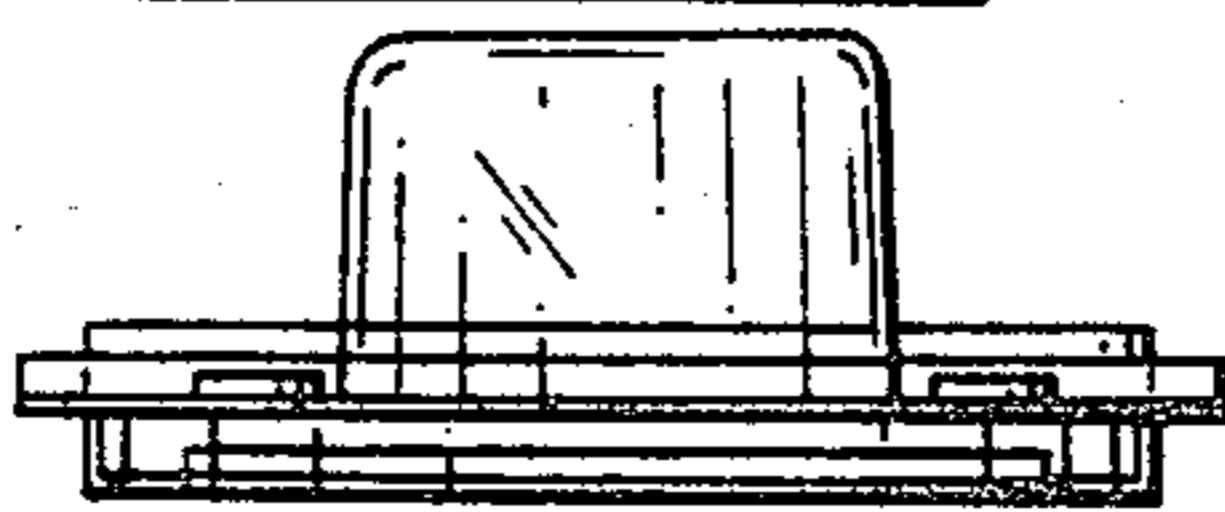


FIG. 3

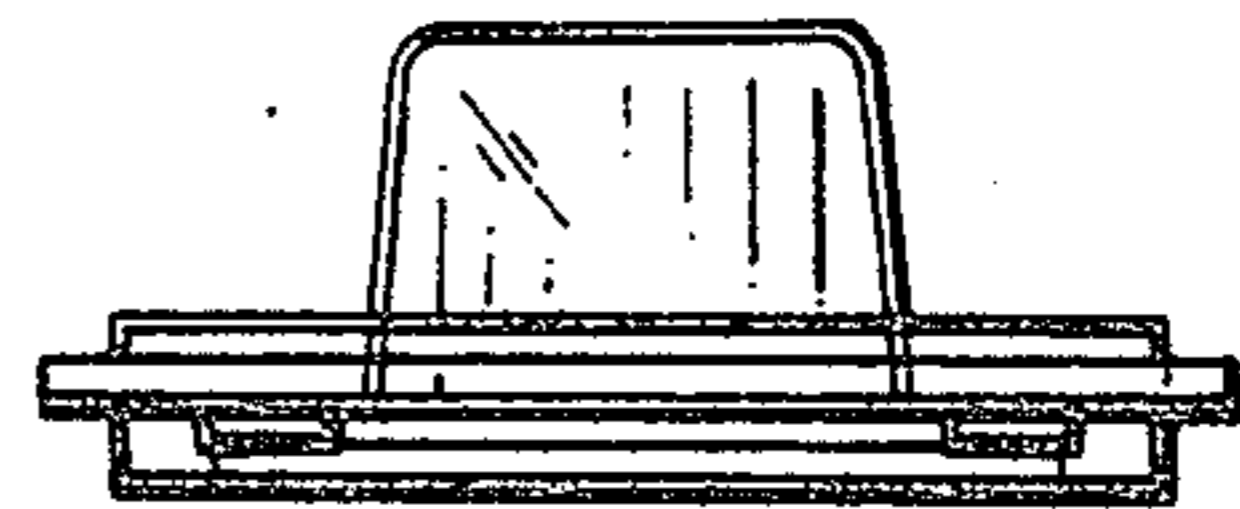


FIG. 5

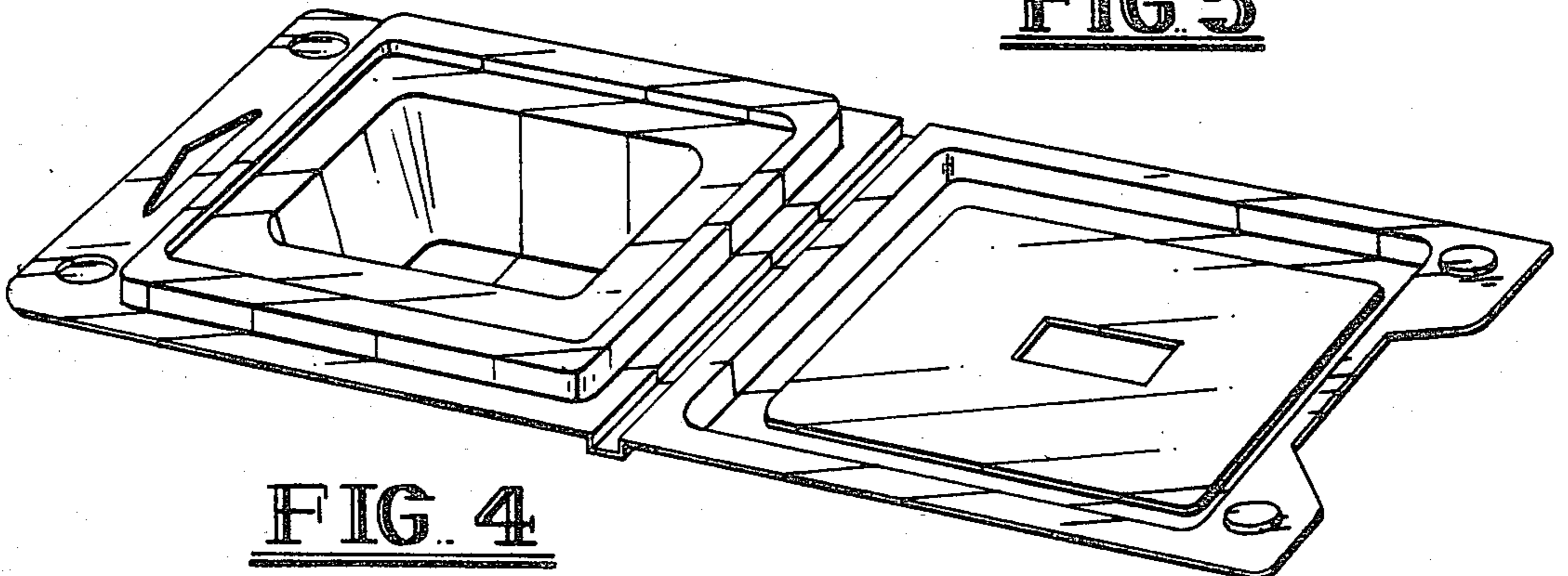


FIG. 4