

- [54] **PACKAGING CONTAINER FOR DENTAL ARTICLES**
- [75] Inventors: **Robert D. Holewinski**, Lakehurst; **Douglas Fitzsimmons**, Howell, both of N.J.
- [73] Assignee: **Johnson & Johnson Dental Products Company**, East Windsor, N.J.
- [\*\*] Term: **14 Years**
- [21] Appl. No.: **408,361**
- [22] Filed: **Aug. 16, 1982**
- [52] U.S. Cl. .... **D9/341; D9/424; D9/425; D9/430; D9/431; D9/432**
- [58] **Field of Search** ..... **D9/341, 345, 347, 424, D9/425, 430, 431, 415, 432; 220/1 R; 206/568, 368, 369, 63.5**

[56] **References Cited**

**U.S. PATENT DOCUMENTS**

- D. 238,933 2/1976 Thomas ..... D9/425
- D. 239,156 3/1976 McDonough ..... D9/341

- D. 241,622 9/1976 Smith ..... D9/341
- D. 260,237 8/1981 Fuzere ..... D9/341
- D. 264,245 5/1982 Olsen ..... D9/341 X

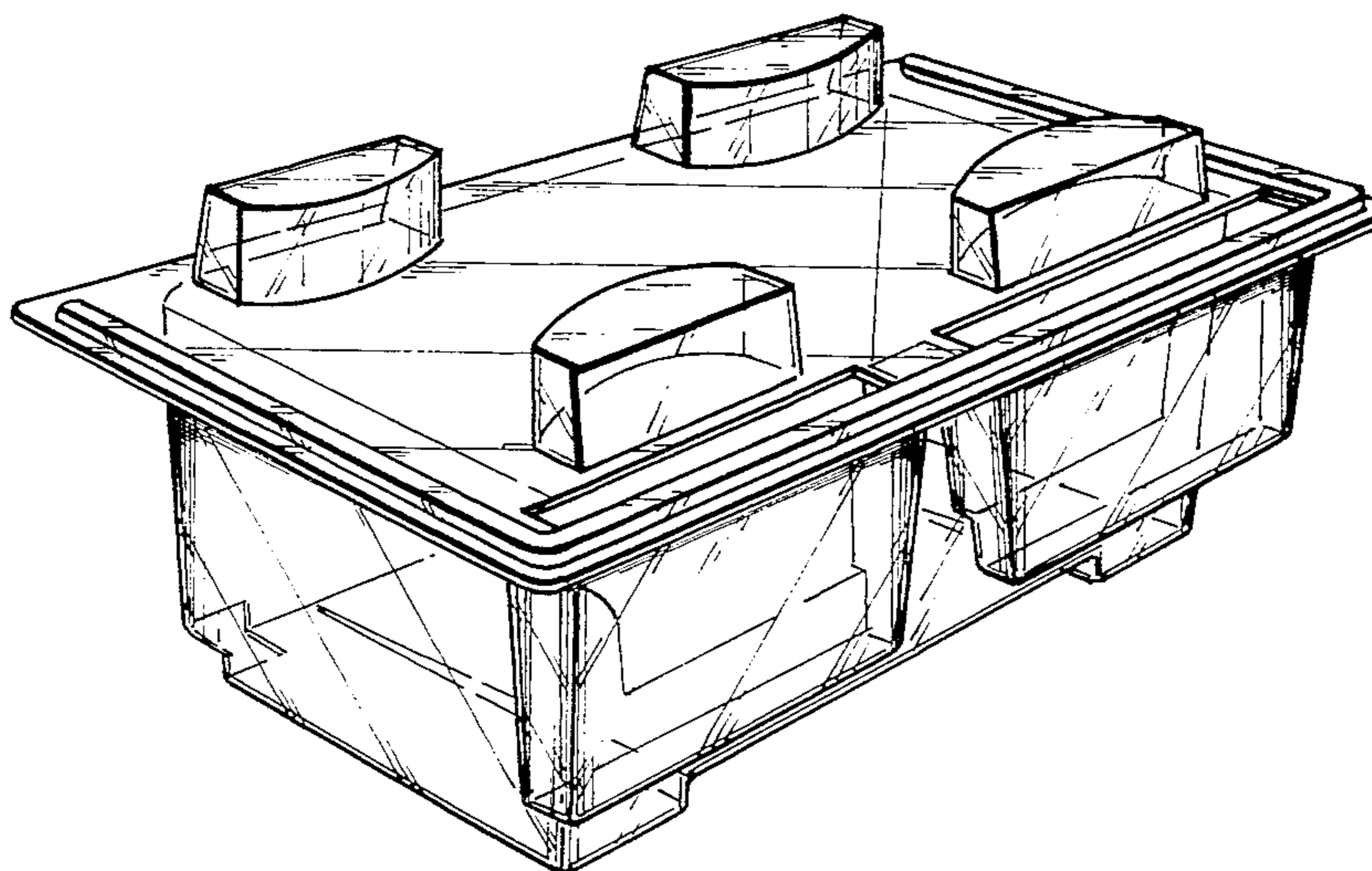
*Primary Examiner*—Robert C. Spangler  
*Attorney, Agent, or Firm*—Charles J. Metz

[57] **CLAIM**

The ornamental design for a packaging container for dental articles, as shown and described.

**DESCRIPTION**

FIG. 1 is a perspective view of a packaging container for dental articles showing our new design;  
 FIG. 2 is a side elevational view;  
 FIG. 3 is an elevational view showing the side opposite that seen in FIG. 2;  
 FIG. 4 is a rear elevational view;  
 FIG. 5 is a front elevational view;  
 FIG. 6 is a top plan view;  
 FIG. 7 is a bottom plan view; and  
 FIG. 8 is another perspective view.  
 The broken lines showing dental articles in FIG. 8 are for the purpose of illustrating environmental use only.



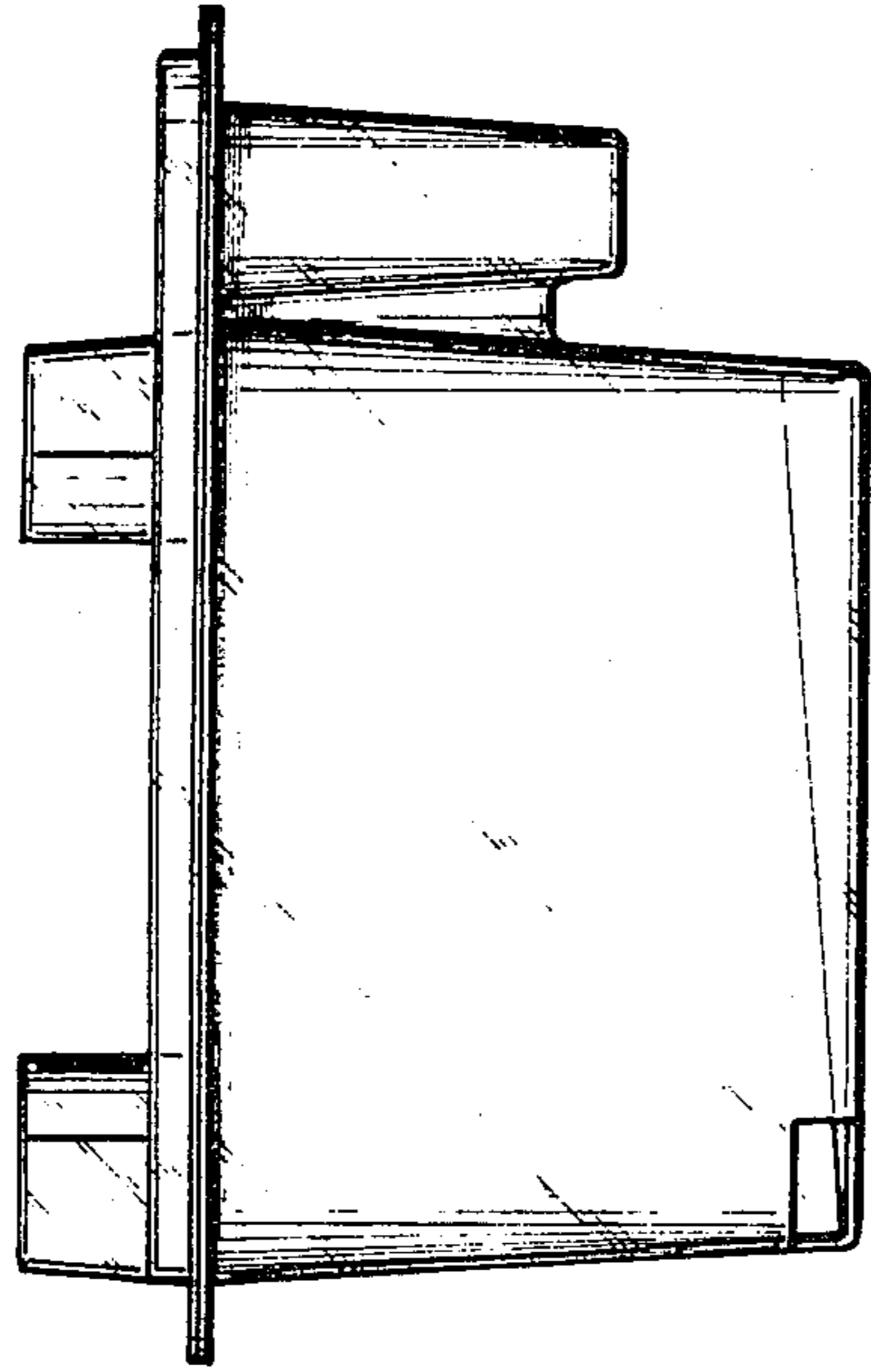


FIG-2

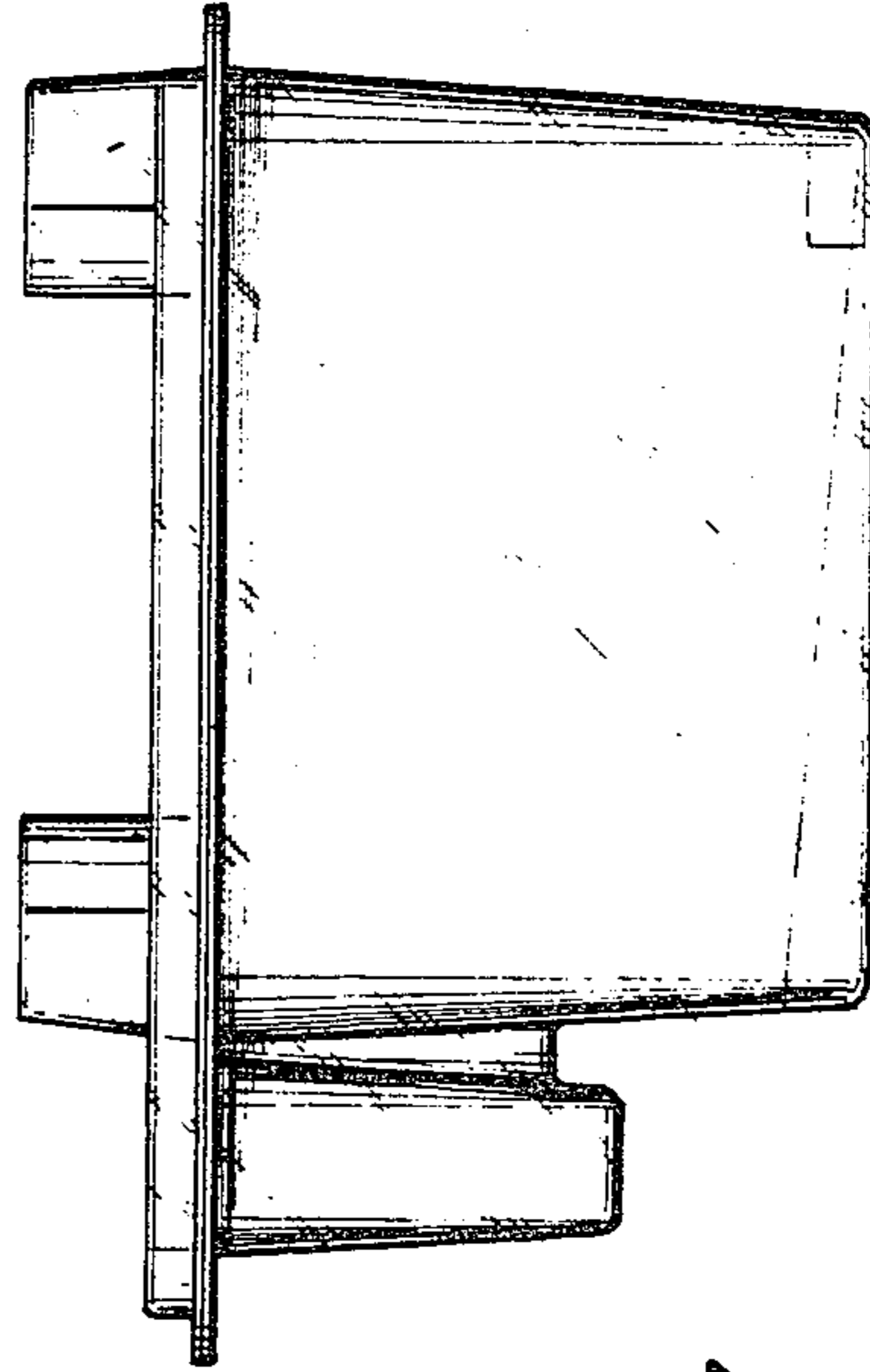


FIG-3

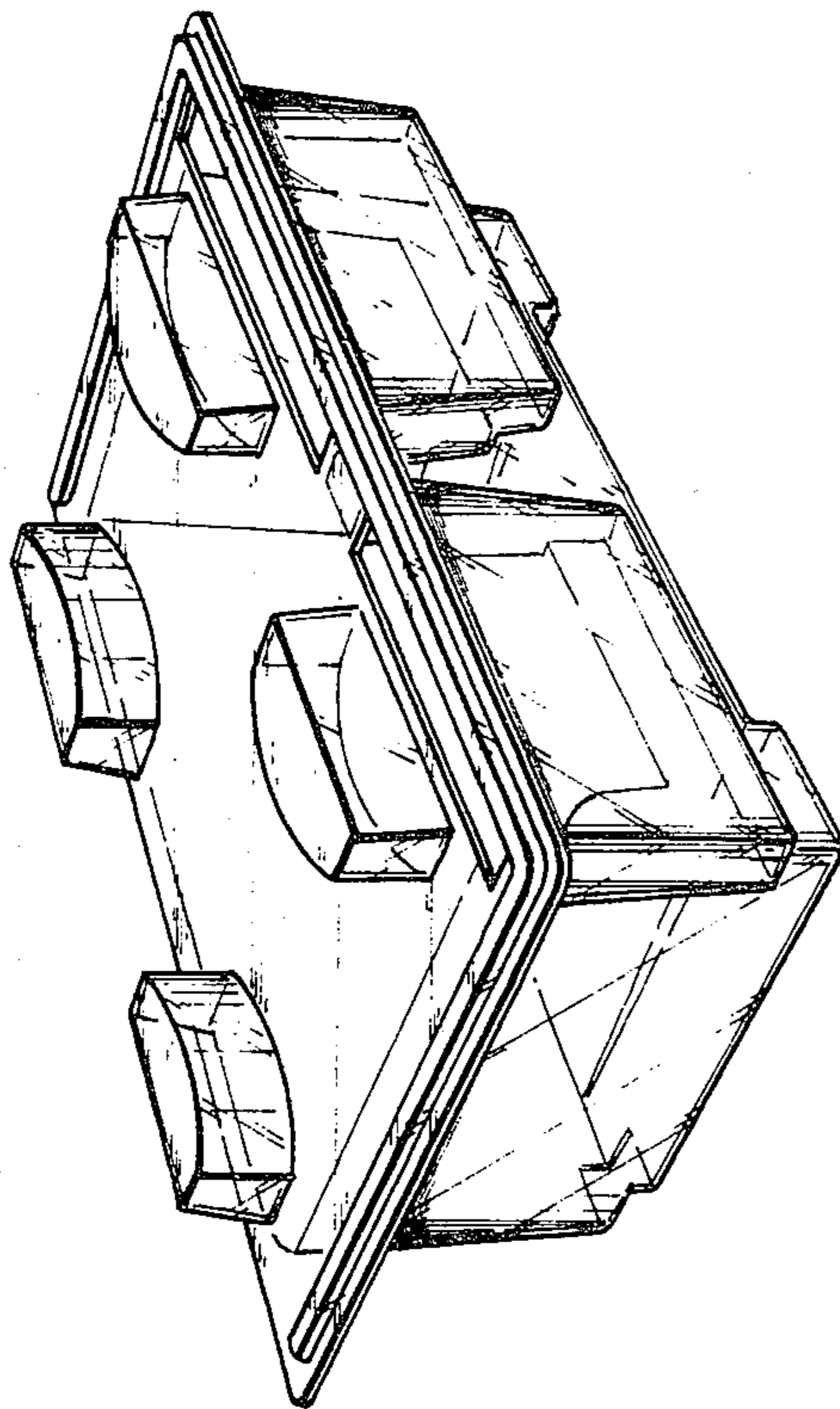
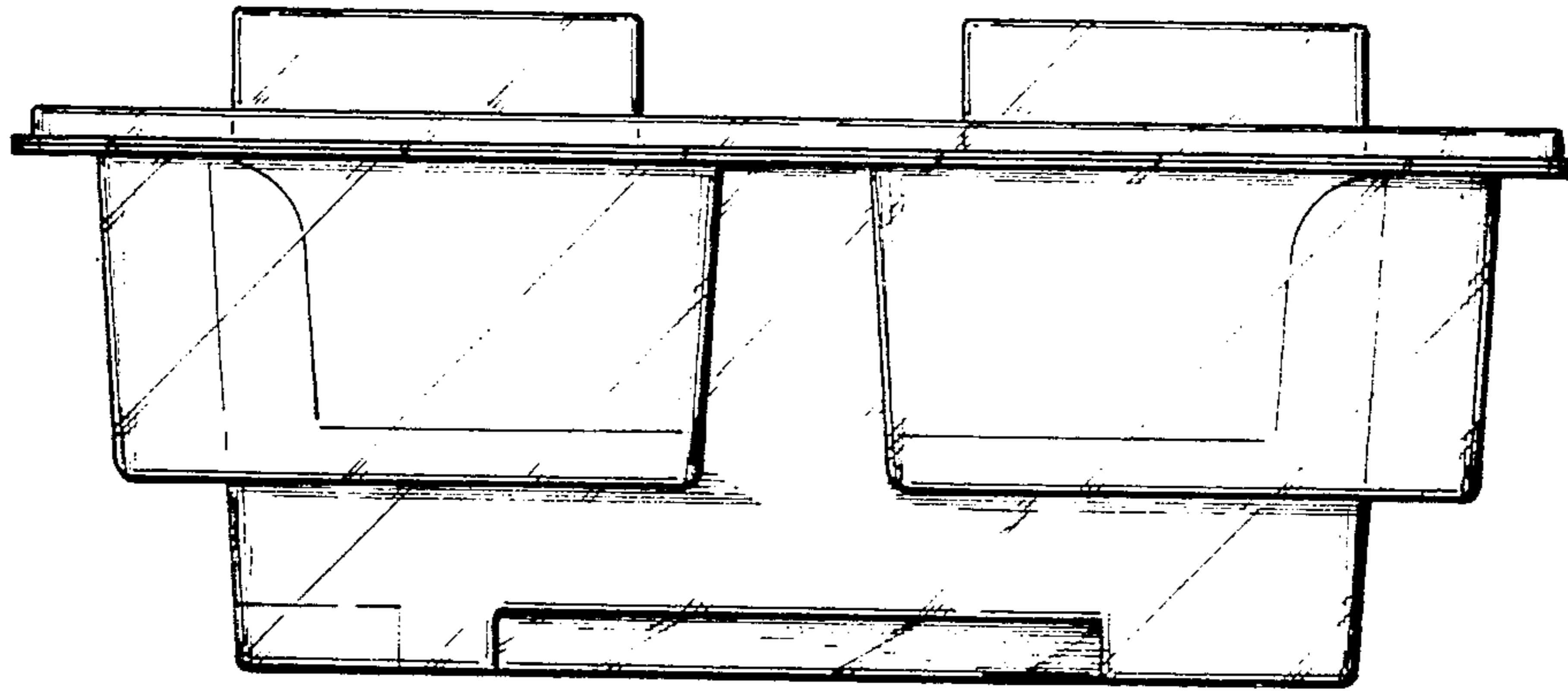
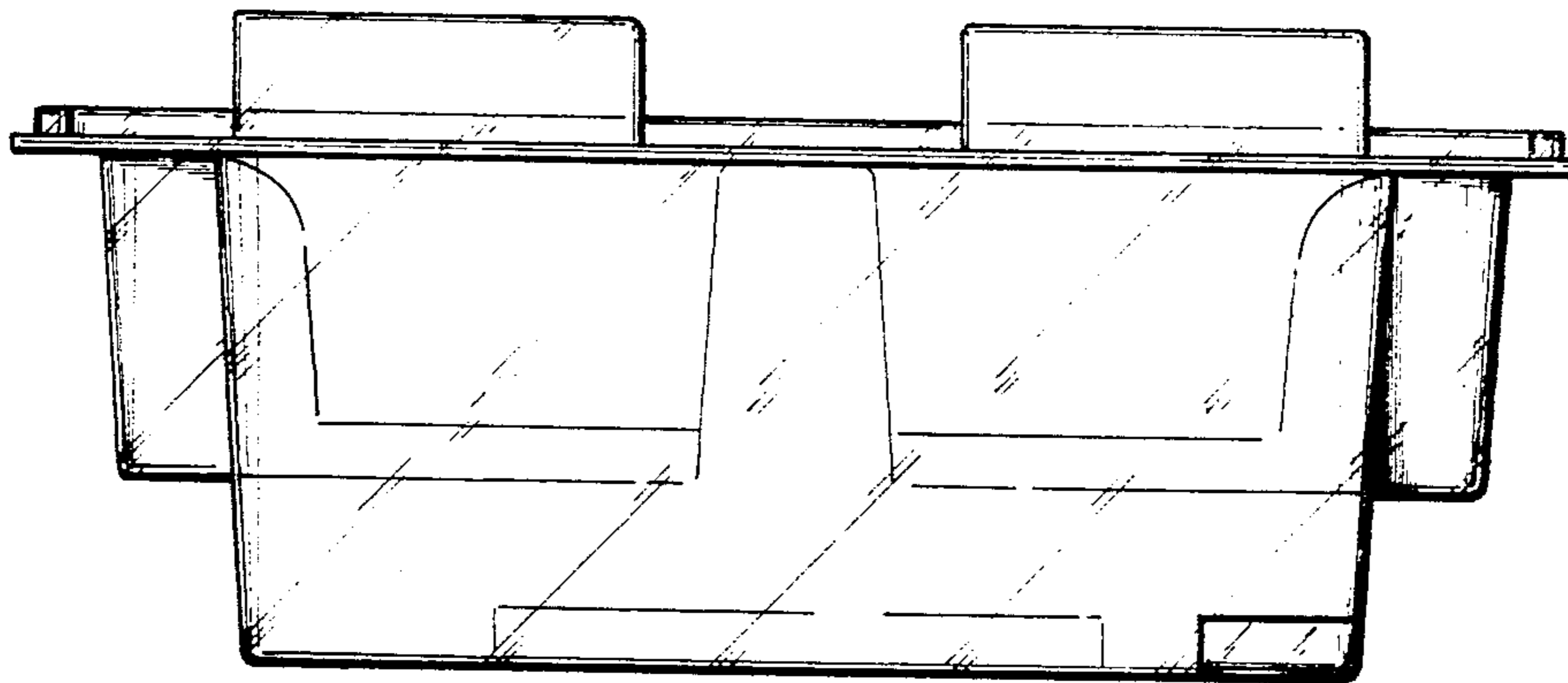


FIG-1

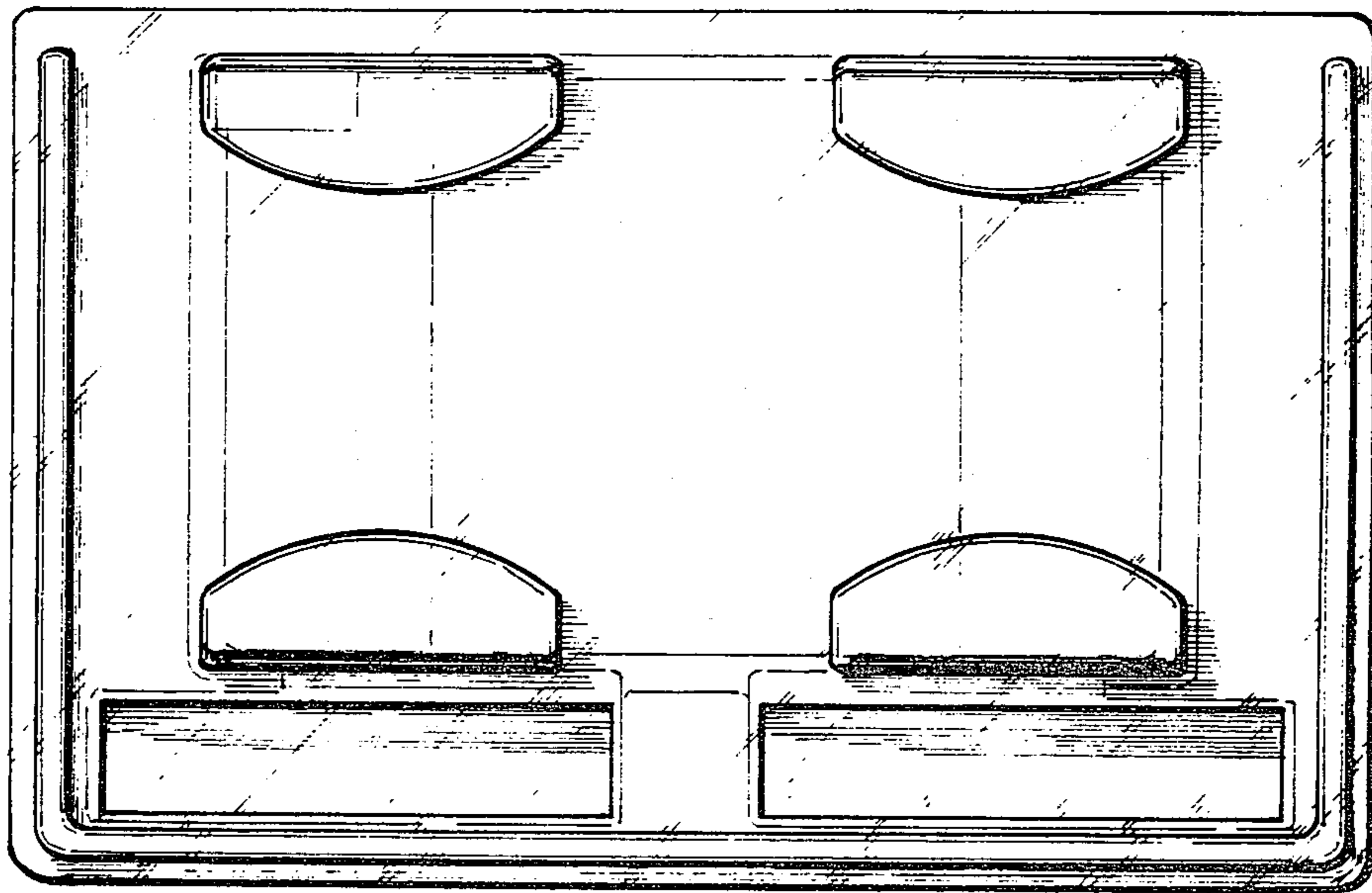
*FIG-4*



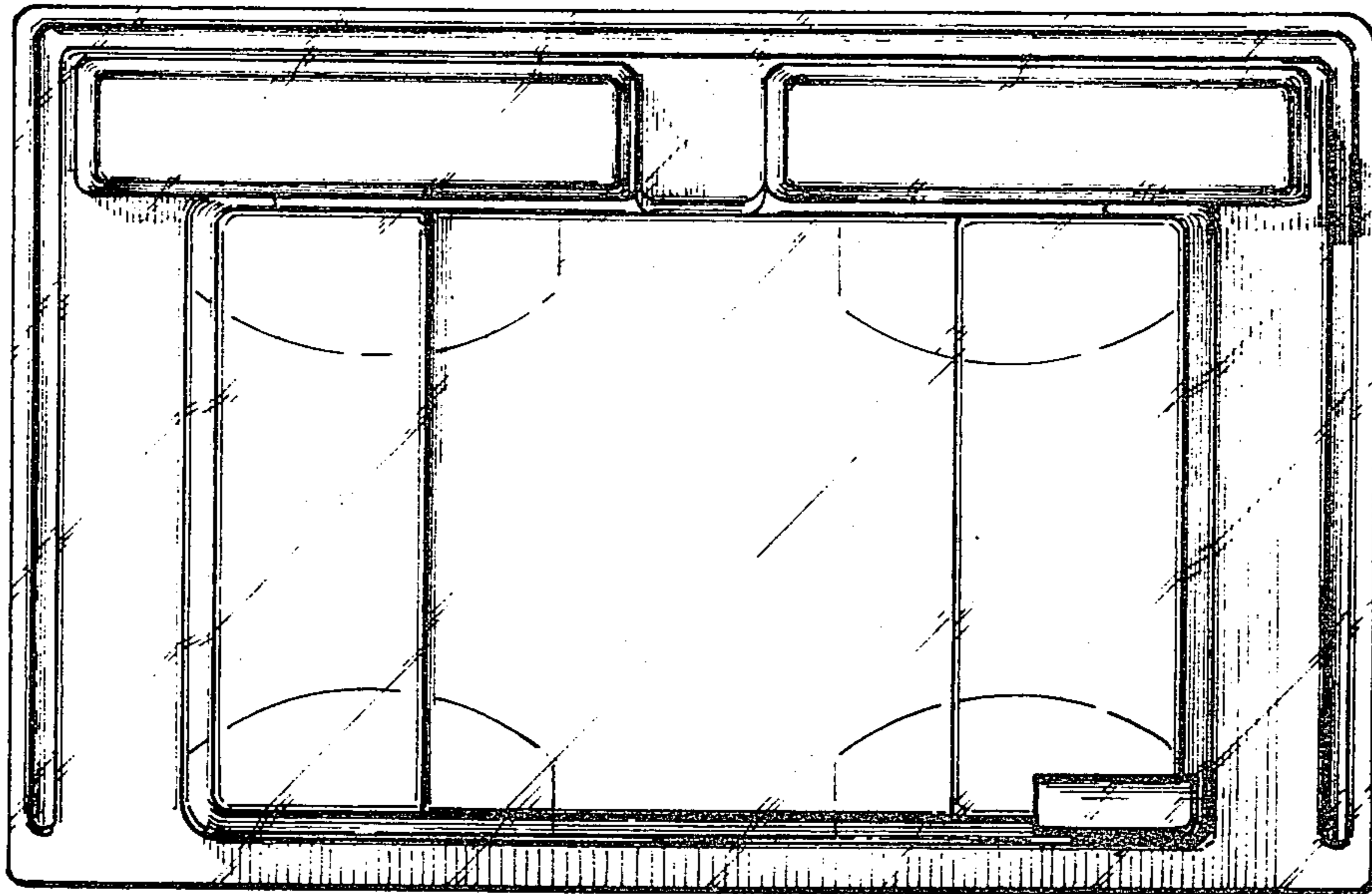
*FIG-5*



*FIG-6*



*FIG-7*



*FIG-8*

