

[54] **FOOD CONTAINER OR THE LIKE**

[75] **Inventor: Janice L. Schmidt, Providence, R.I.**

[73] **Assignee: Dart Industries Inc., Northbrook, Ill.**

[\*\*] **Term: 14 Years**

[21] **Appl. No.: 544,744**

[22] **Filed: Oct. 24, 1983**

[52] **U.S. Cl. .... D7/82; D7/84**

[58] **Field of Search ..... D7/82, 84, 79; 220/352;  
206/557, 564**

[56] **References Cited**

**U.S. PATENT DOCUMENTS**

D. 197,980	4/1964	Brown	.....	D7/84
D. 216,214	12/1969	Daenen	.....	D7/84
2,783,538	3/1957	Spevak	.....	220/352 X
2,814,113	11/1957	Morlacchi	.....	D7/84 X
3,426,935	2/1969	Swett	.....	D7/84 X

**OTHER PUBLICATIONS**

Tupperware Catalog, 4/76, p. 25, Item R50, Ice Cream Keeper.

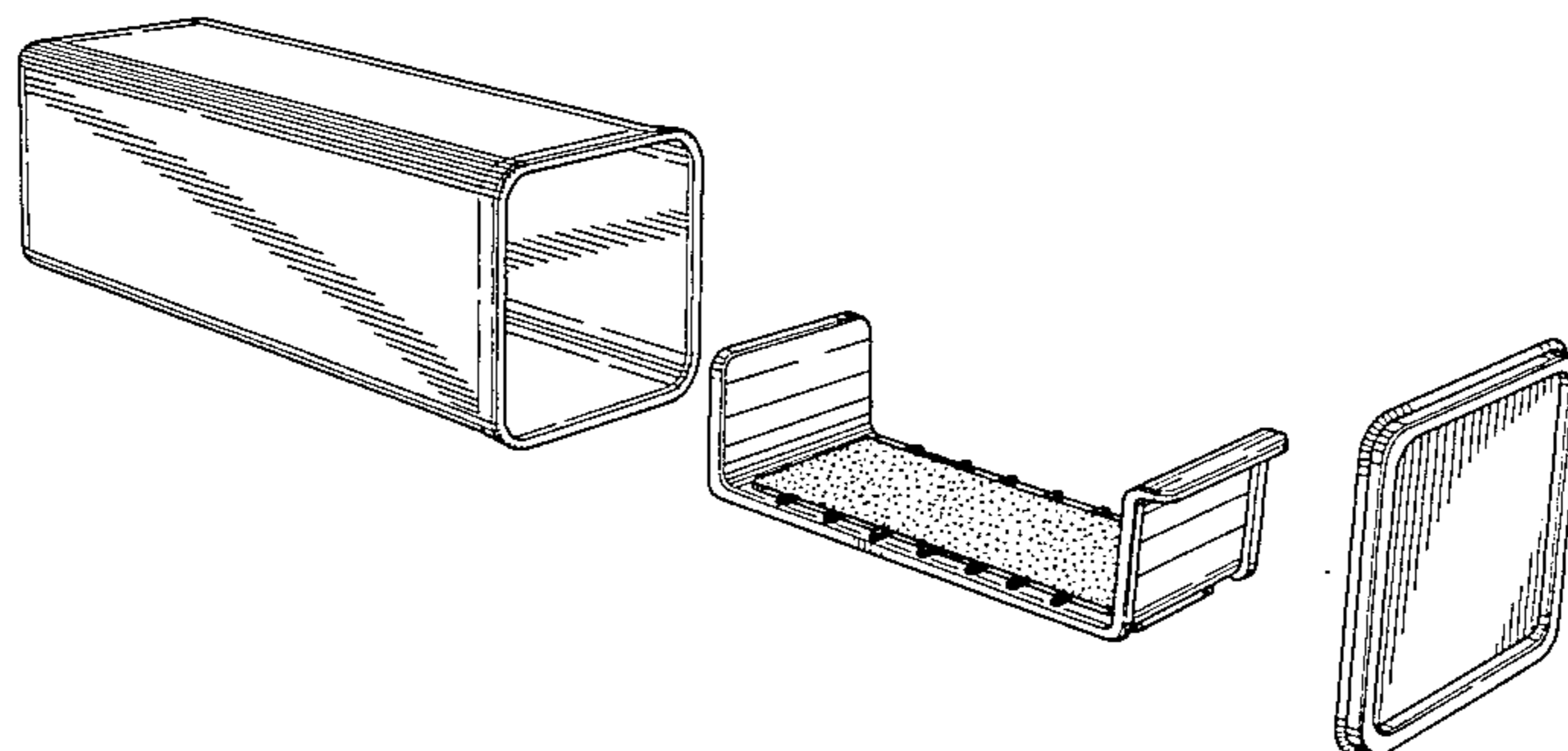
*Primary Examiner*—Bernard Ansher  
*Assistant Examiner*—Terry Pfeffer  
*Attorney, Agent, or Firm*—A. Lewis Worthem, Jr.

[57] **CLAIM**

The ornamental design for a food container or the like, substantially as is shown and described.

**DESCRIPTION**

FIG. 1 is a top, front left side perspective view of a food container or the like showing my new design, shown in a disassembled view for clarity of illustration;  
FIG. 2 is a top plan view thereof;  
FIG. 3 is a left side elevation thereof;  
FIG. 4 is a bottom plan view thereof;  
FIG. 5 is a front elevation of the tray portion shown separately for clarity of illustration;  
FIG. 6 is a rear elevation of the tray portion shown separately for clarity of illustration;  
FIG. 7 is a rear elevation thereof; and  
FIG. 8 is a top, front, left side perspective view thereof shown in an assembled view.



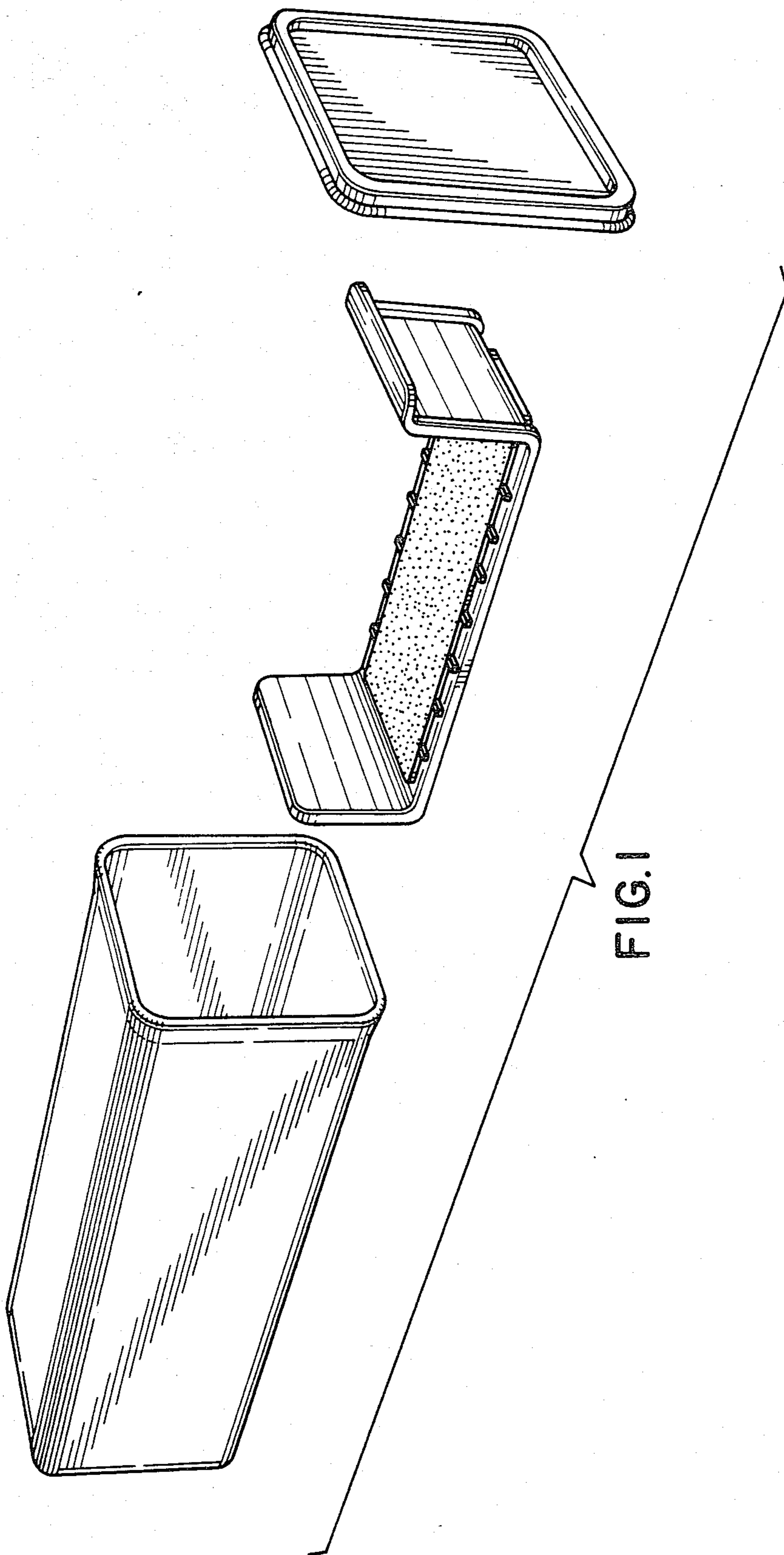


FIG. 1

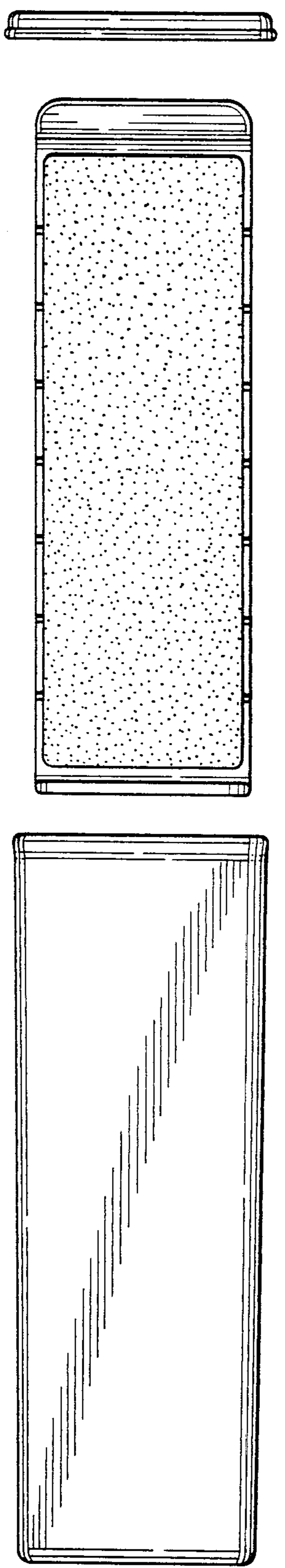


FIG. 2

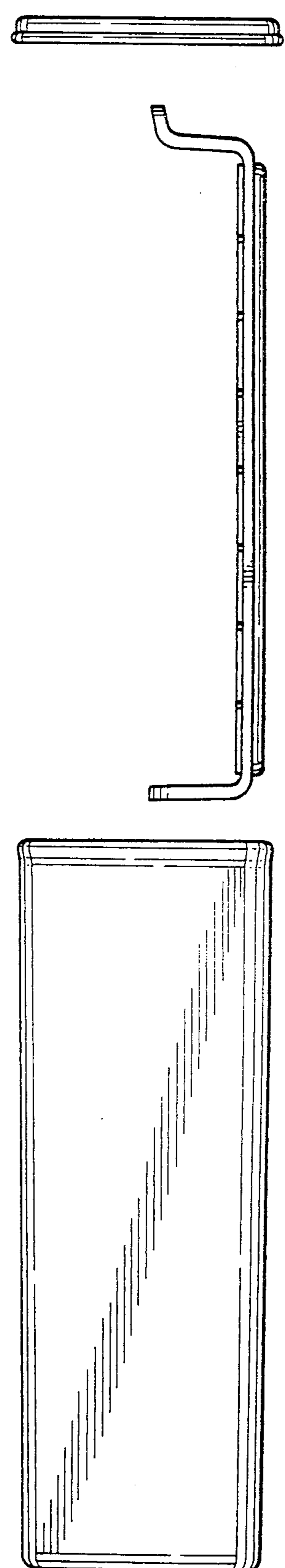


FIG. 3

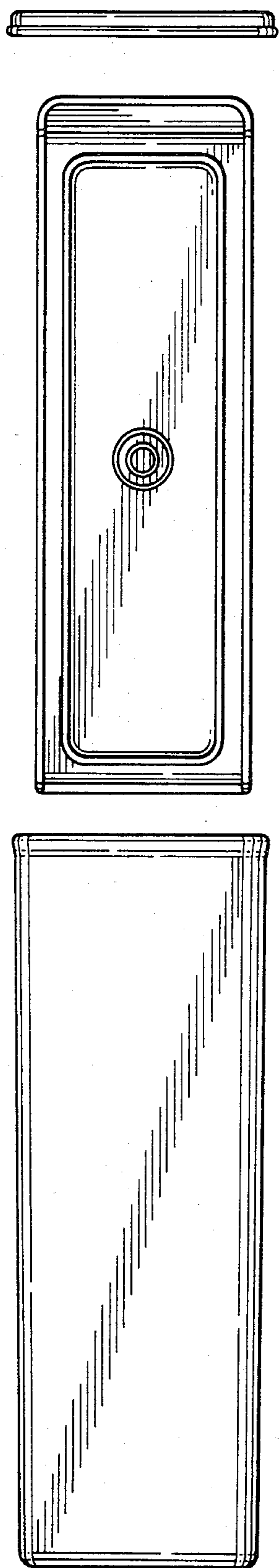


FIG. 4

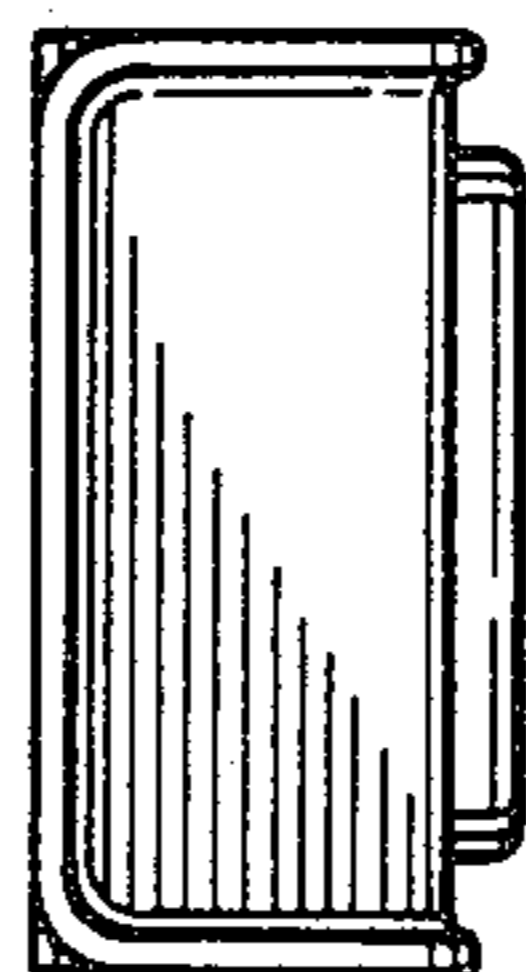


FIG. 5

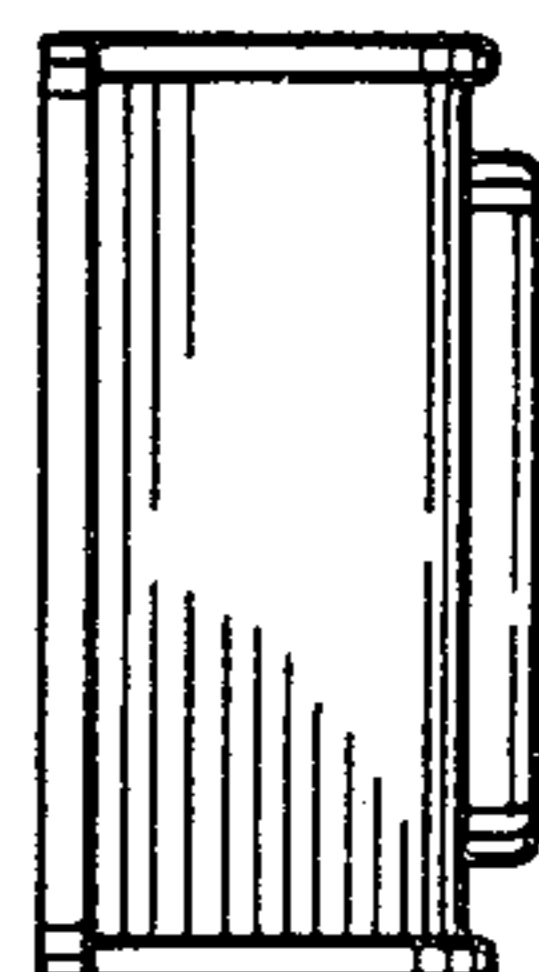


FIG. 6

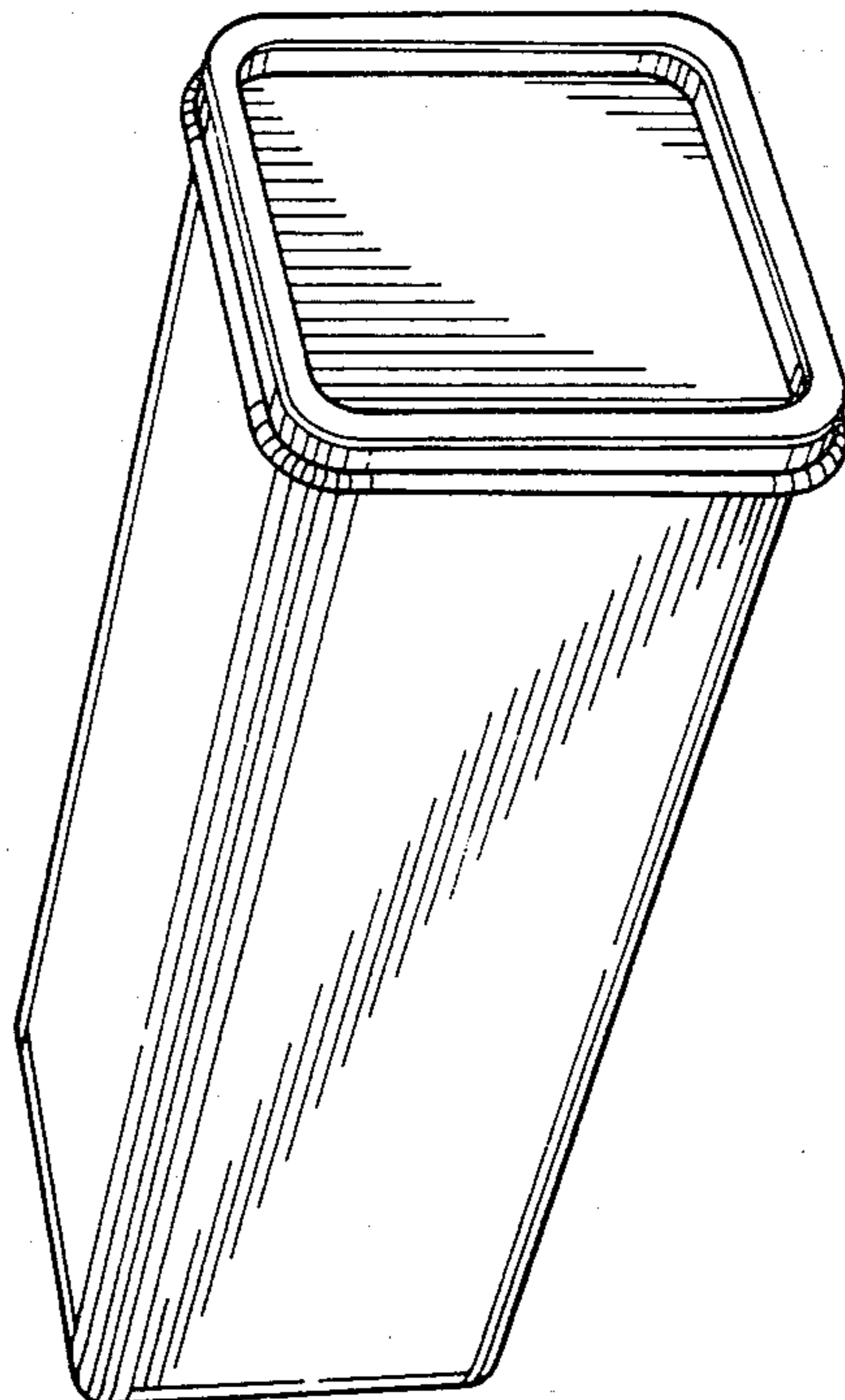


FIG. 8

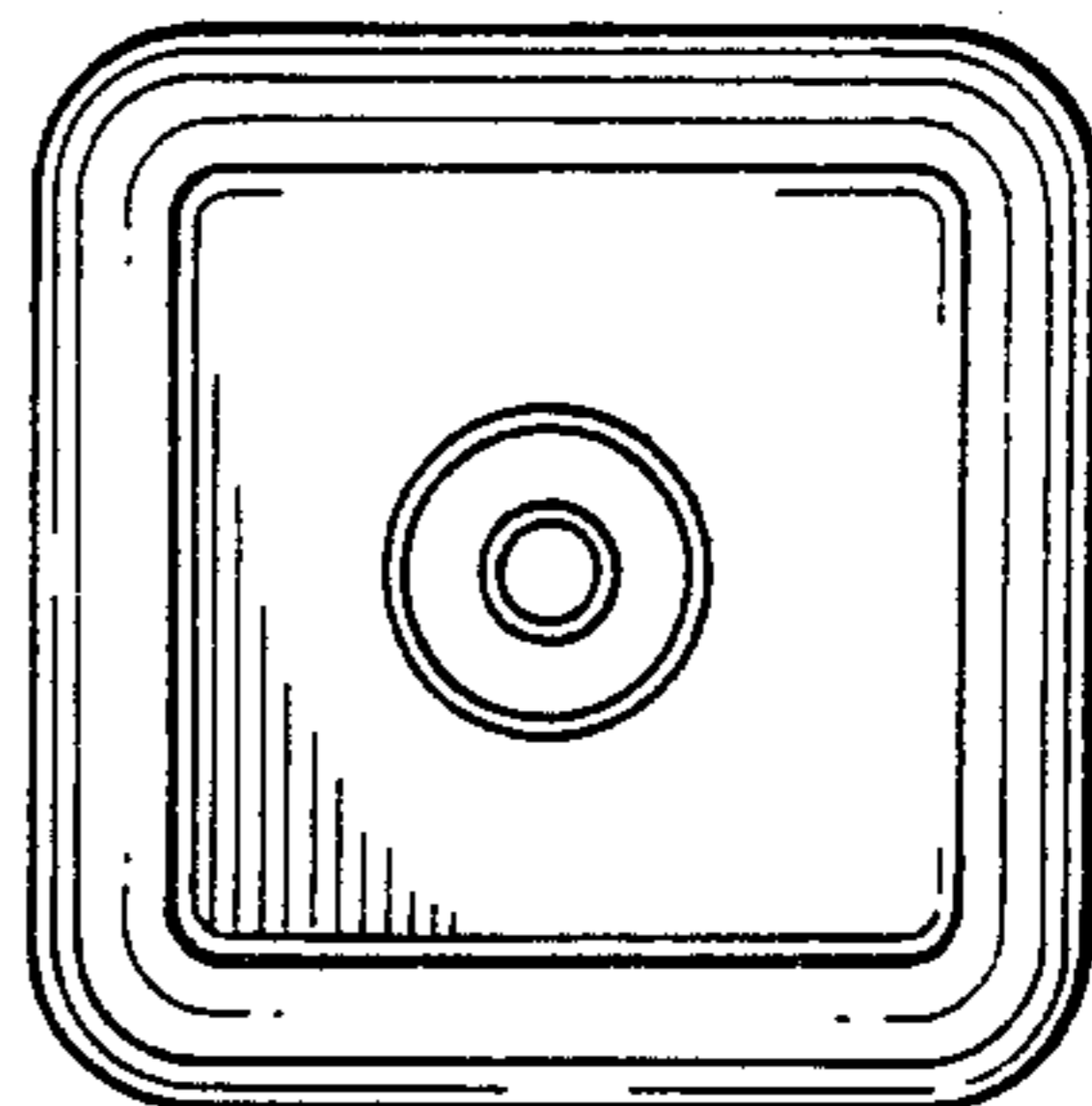


FIG. 7