

[54] CASK COOLER

[76] Inventor: Phillip J. Bailey, 15 Emma St., Caulfield, 3162 Victoria, Australia

[**] Term: 14 Years

[21] Appl. No.: 530,100

[22] Filed: Sep. 7, 1983

[52] U.S. Cl. D7/77

[58] Field of Search D7/77; 62/371, 372, 62/457

[56] References Cited

U.S. PATENT DOCUMENTS

D. 269,398	6/1983	Ruxton	D7/77
4,344,301	8/1982	Taylor	62/371
4,441,336	4/1984	Cannon	62/371

OTHER PUBLICATIONS

Montgomery Ward Catalog, 1979, p. 349, Cooler Models G and M.

Primary Examiner—Wallace R. Burke

Assistant Examiner—Lynn Wilder

Attorney, Agent, or Firm—Depaoli & O'Brien

[57] CLAIM

The ornamental design for a cask cooler, as shown.

DESCRIPTION

FIG. 1 is a perspective view of a cask cooler showing my new design;

FIG. 2 is an end elevational view thereof, the opposite end being a mirror image; and

FIG. 3 is a side elevational view thereof, the opposite being a mirror image.

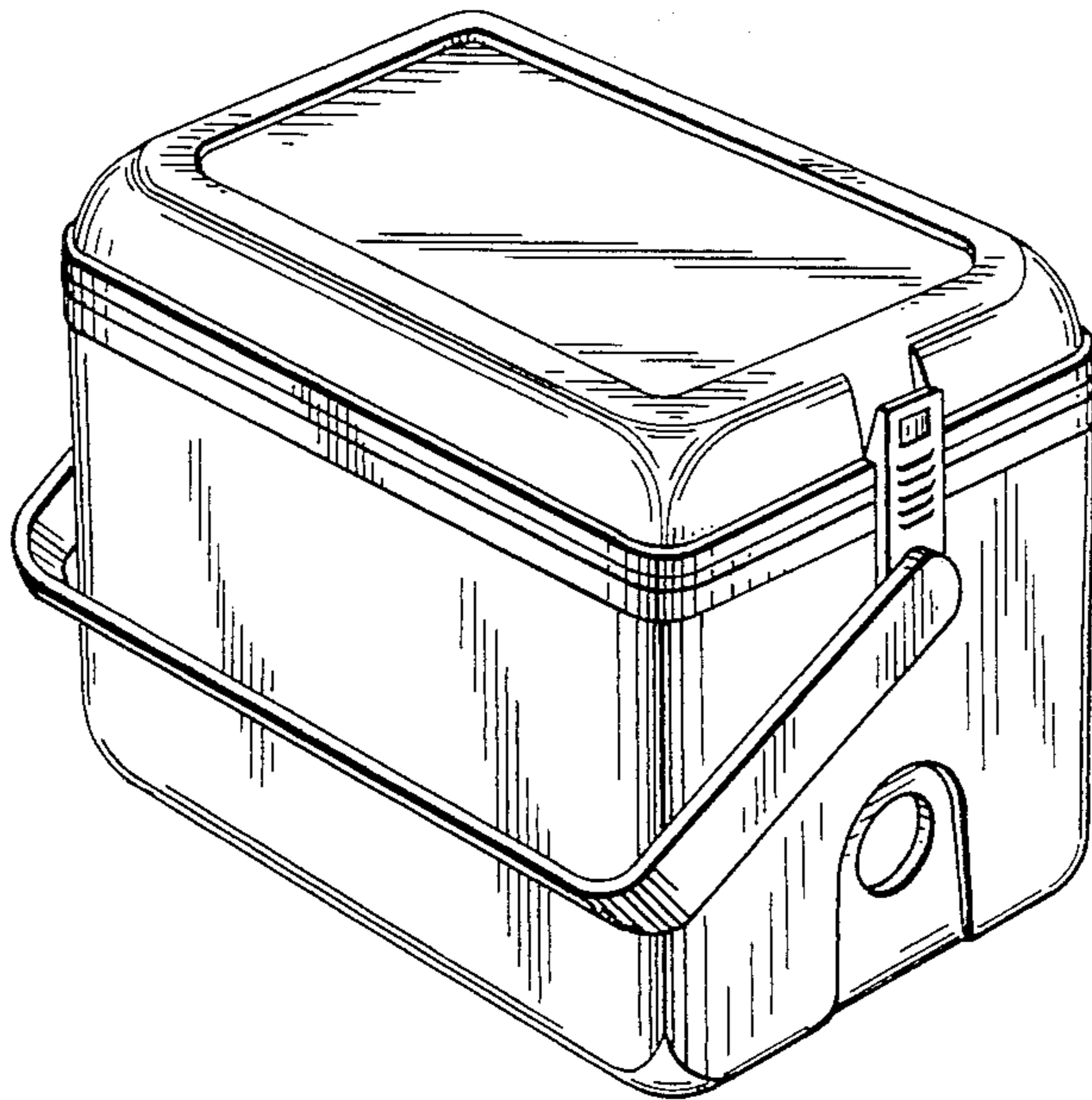


Fig. 1

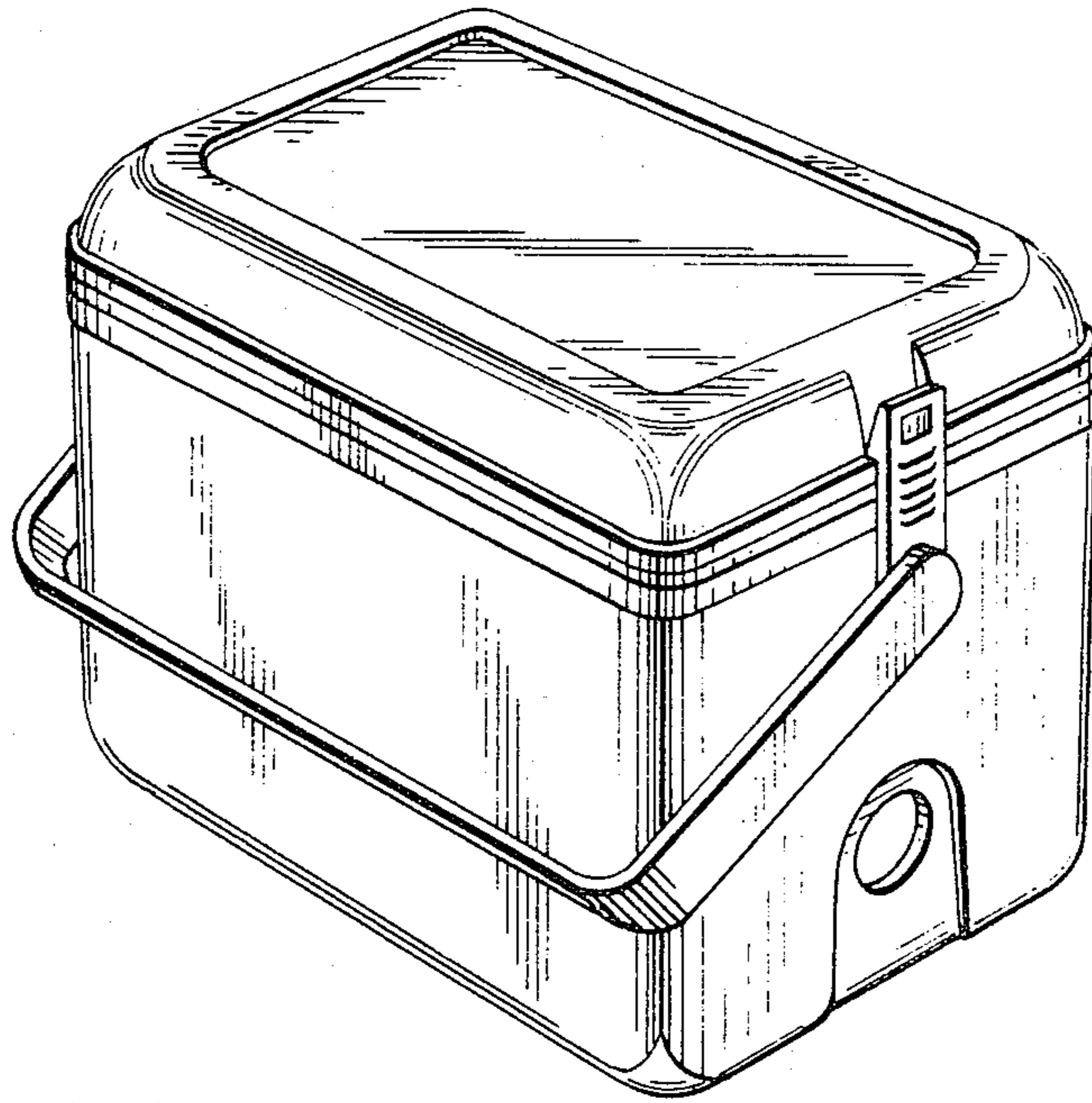


Fig. 2

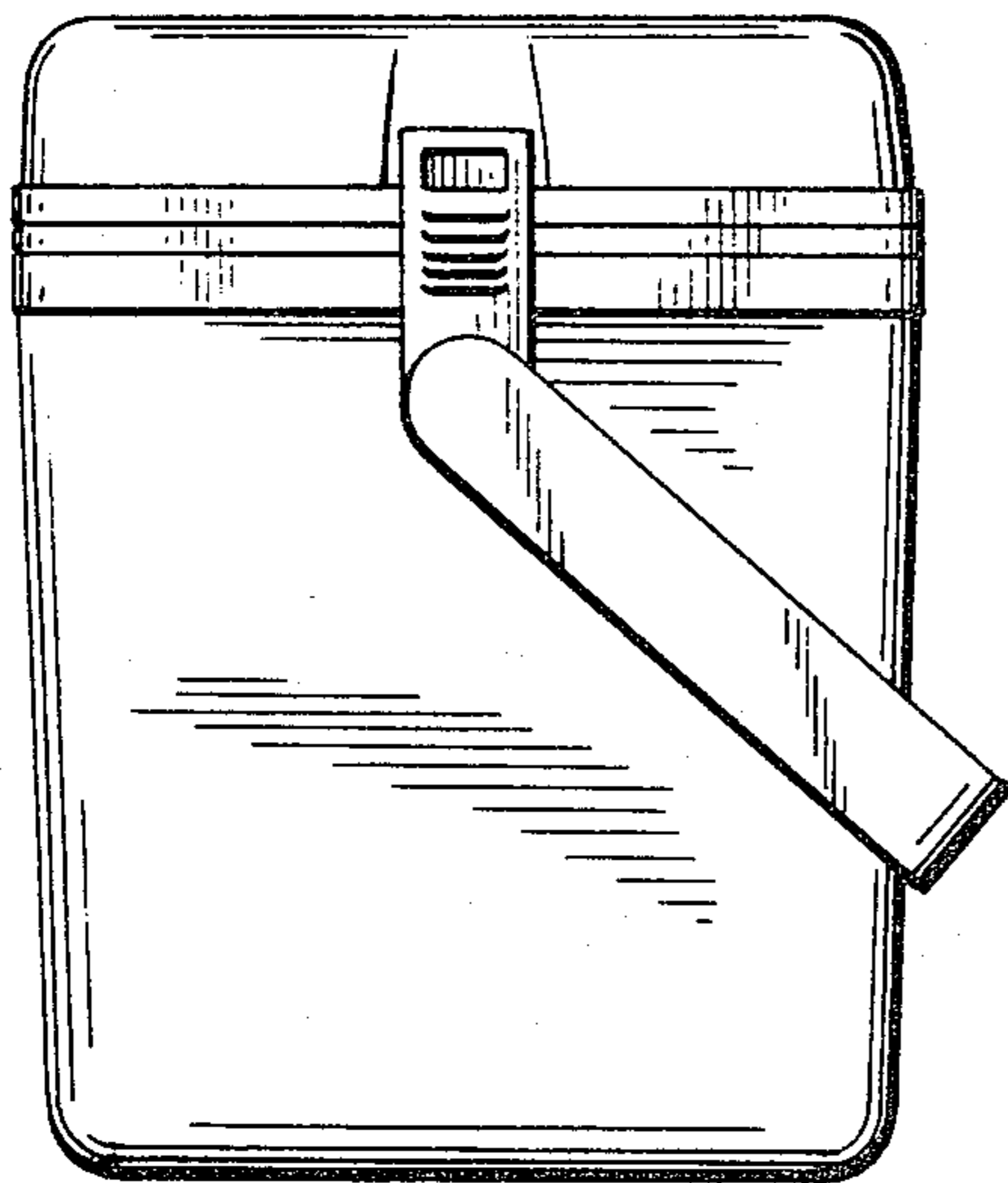


Fig. 3

