

[54] **FOOD TRAY OR THE LIKE**

2,314,943 3/1943 Jensen 206/557

[75] **Inventor: Janice L. Schmidt, Providence, R.I.**

[73] **Assignee: Dart Industries Inc., Northbrook, Ill.**

[**] **Term: 14 Years**

[21] **Appl. No.: 544,743**

[22] **Filed: Oct. 24, 1983**

[52] **U.S. Cl. D7/19; D7/84;
D7/37**

[58] **Field of Search D7/19, 84, 21, 37;
62/457; 206/557, 564; D15/89**

[56] **References Cited**

U.S. PATENT DOCUMENTS

- D. 158,999 6/1950 Paul D7/84 X
- D. 204,615 5/1966 Swett D7/84
- D. 207,017 2/1967 Dulac D7/84
- D. 229,813 1/1974 Robinson D7/70 X

OTHER PUBLICATIONS

Tupperware Catalog, 6/73, p. 19, item 46, Cheese Saver.

Primary Examiner—Bernard Ansher
Assistant Examiner—Terry Pfeffer
Attorney, Agent, or Firm—A. Lewis Worthem, Jr.

[57] **CLAIM**

The ornamental design for a food tray or the like, substantially as is shown.

DESCRIPTION

FIG. 1 is a perspective view of the food tray showing my new design;

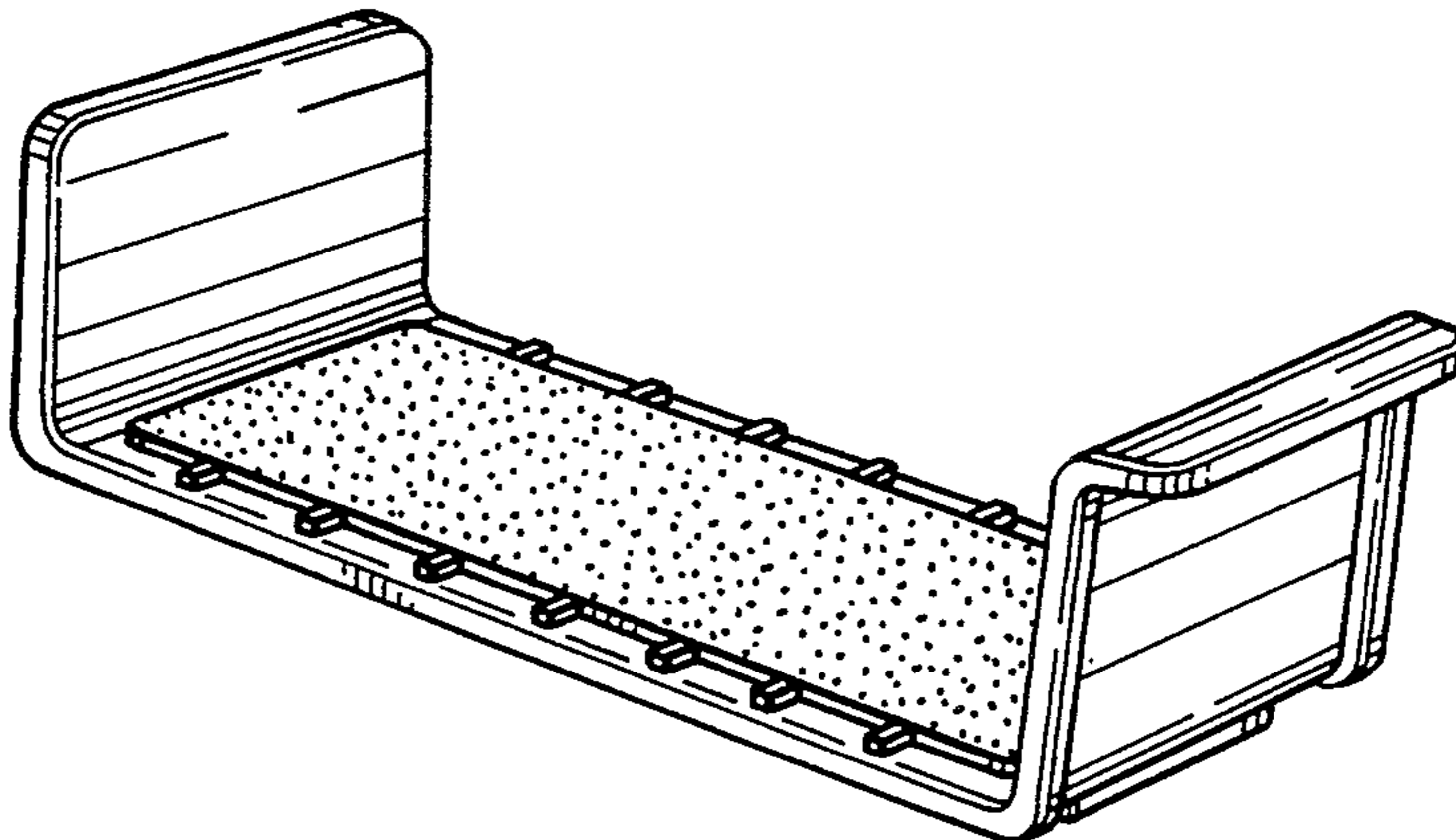
FIG. 2 is a top plan view thereof;

FIG. 3 is a left side elevation thereof;

FIG. 4 is a front elevation thereof;

FIG. 5 is a rear elevation thereof; and

FIG. 6 is a bottom plan view thereof.



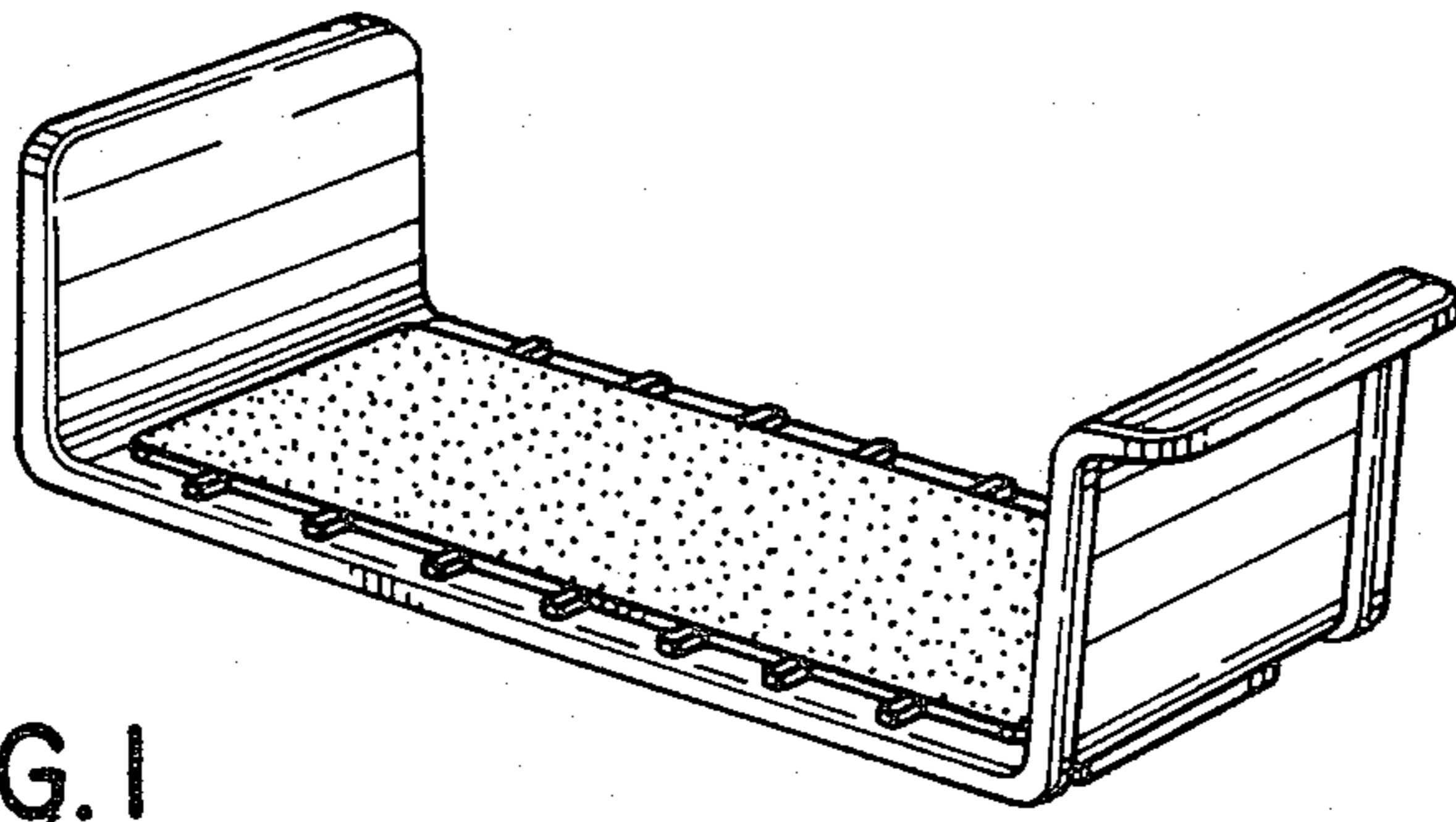


FIG. 1

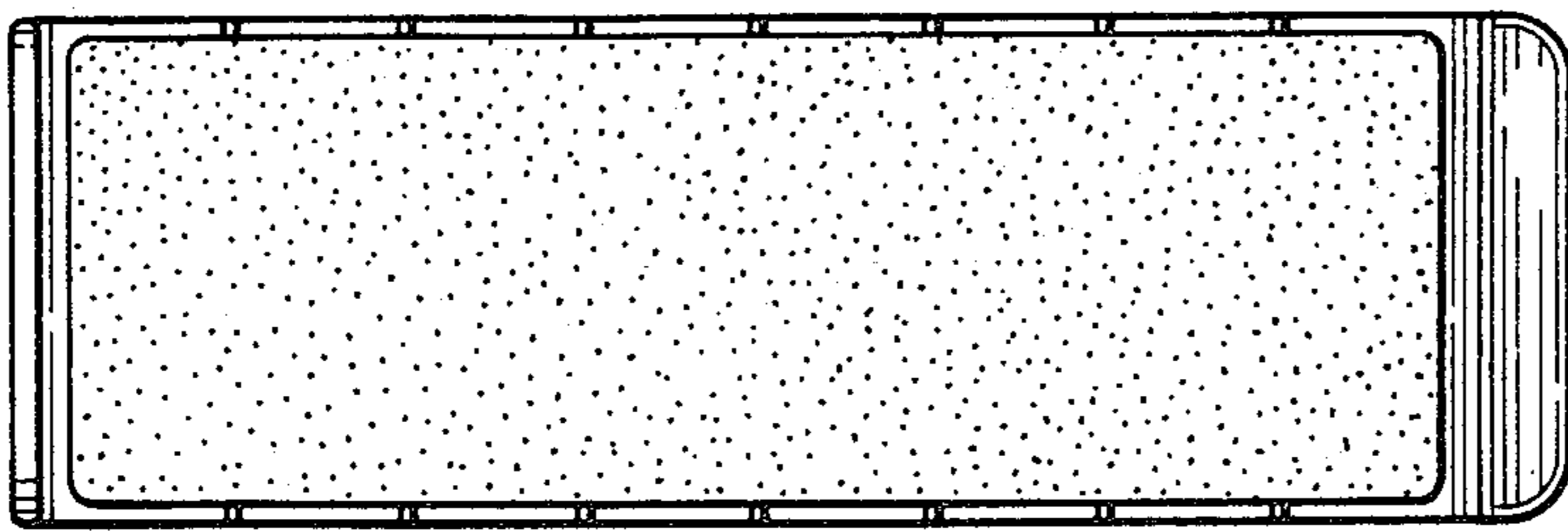


FIG. 2

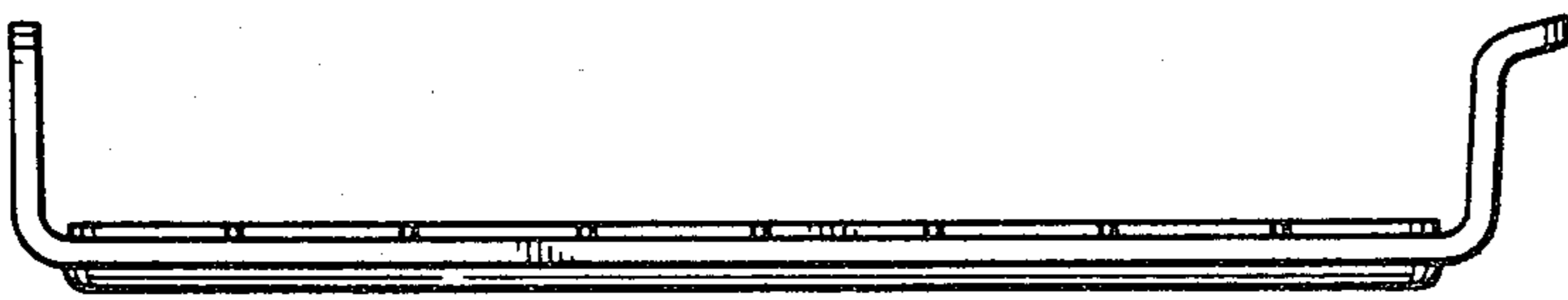


FIG. 3

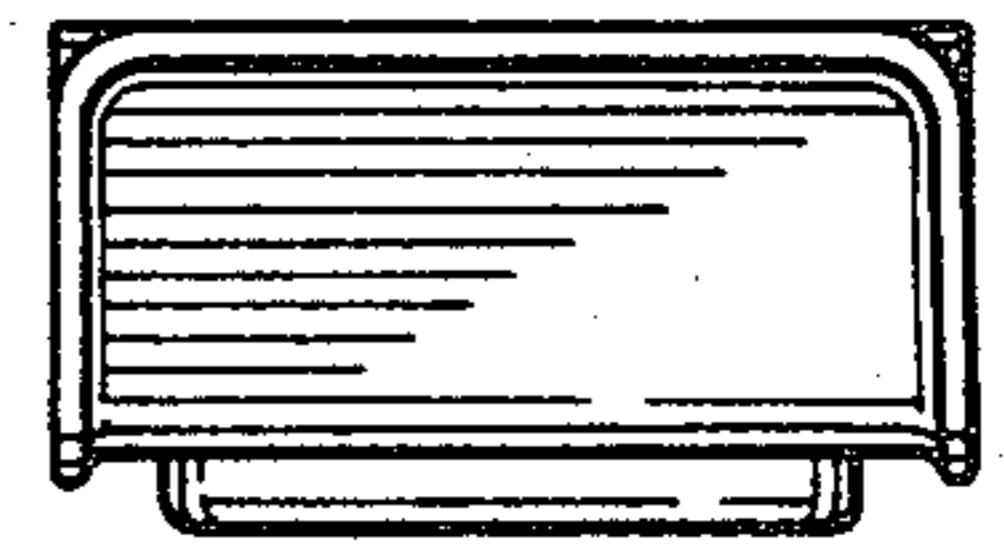


FIG. 4

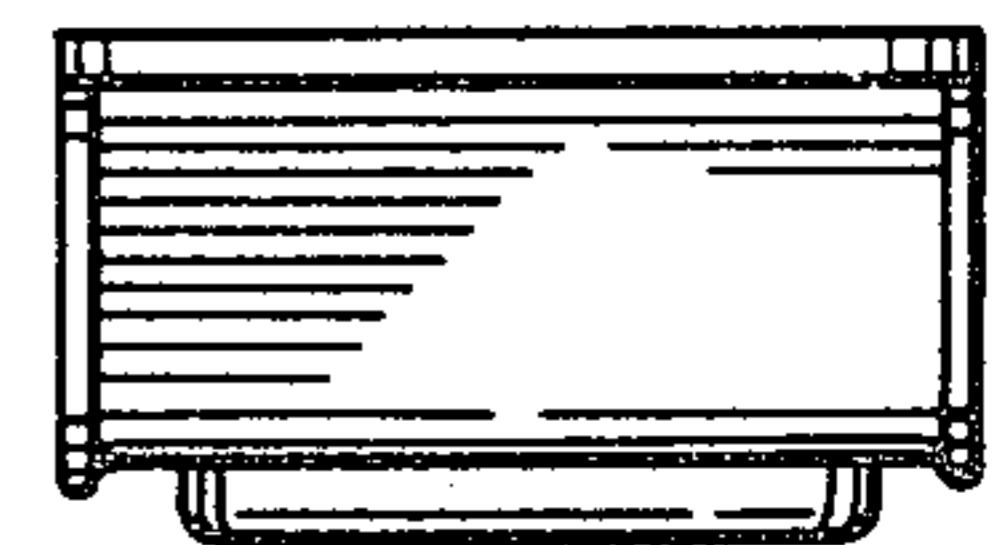


FIG. 5

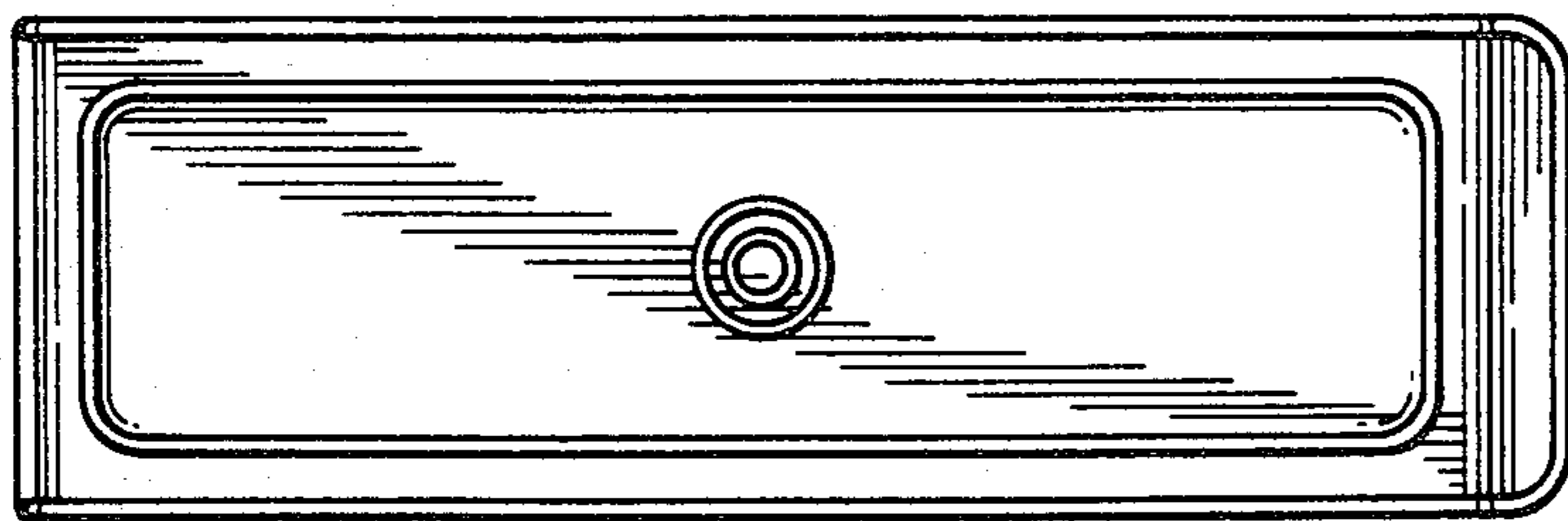


FIG. 6