

[54] TUMBLER OR SIMILAR ARTICLE

[76] Inventor: Jean-Jacques Durand, Labutte, 62510 Arques, France

[\*\*] Term: 14 Years

[21] Appl. No.: 547,729

[22] Filed: Nov. 1, 1983

[52] U.S. Cl. .... D7/14

[58] Field of Search ..... D7/14, 6, 8, 15, 11-13

[56] References Cited

U.S. PATENT DOCUMENTS

- D. 7,241 3/1874 McKee ..... D7/14
- D. 118,963 2/1940 Lundy ..... D7/14
- D. 161,712 1/1951 Roop ..... D7/9
- D. 217,781 6/1970 Stone ..... D7/13 X
- D. 244,740 6/1977 Durand ..... D7/14

OTHER PUBLICATIONS

*Tableware International*, Nov. 1973, p. 41, bottom r., Tumbler by Fidenza Vetraria.

*Interiors*, Nov. 1964, p. 125, top left Tumbler, Tap10 Wirkkala glass Artware for Rosenthal China Corp.

Primary Examiner—Winifred E. Herrmann  
Attorney, Agent, or Firm—Kimmel, Crowell & Weaver

[57] CLAIM

The ornamental design for a tumbler or similar article, substantially as shown and described.

DESCRIPTION

FIG. 1 is a side elevational view of a tumbler or similar article showing my new design; the sides not shown are similar to the side shown;

FIG. 2 is a sectional view thereof, taken along the lines 2—2, as shown in FIG. 3, with the facets or design lines that would be seen from the interior having been omitted for clarity of illustration;

FIG. 3 is a top plan view thereof with the facets or design lines, as seen from the interior having been omitted for clarity of illustration;

FIG. 4 is a bottom plan view thereof; and

FIG. 5 is a sectional view thereof taken along the lines 5—5, looking in the direction of the arrows, as shown in FIG. 1.

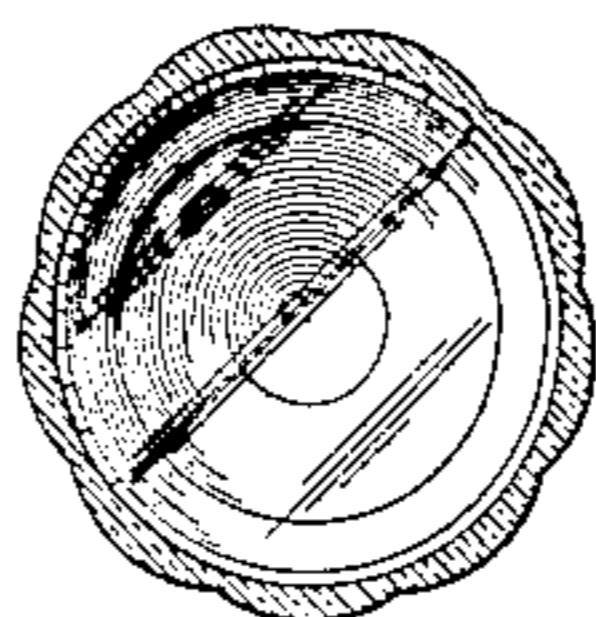
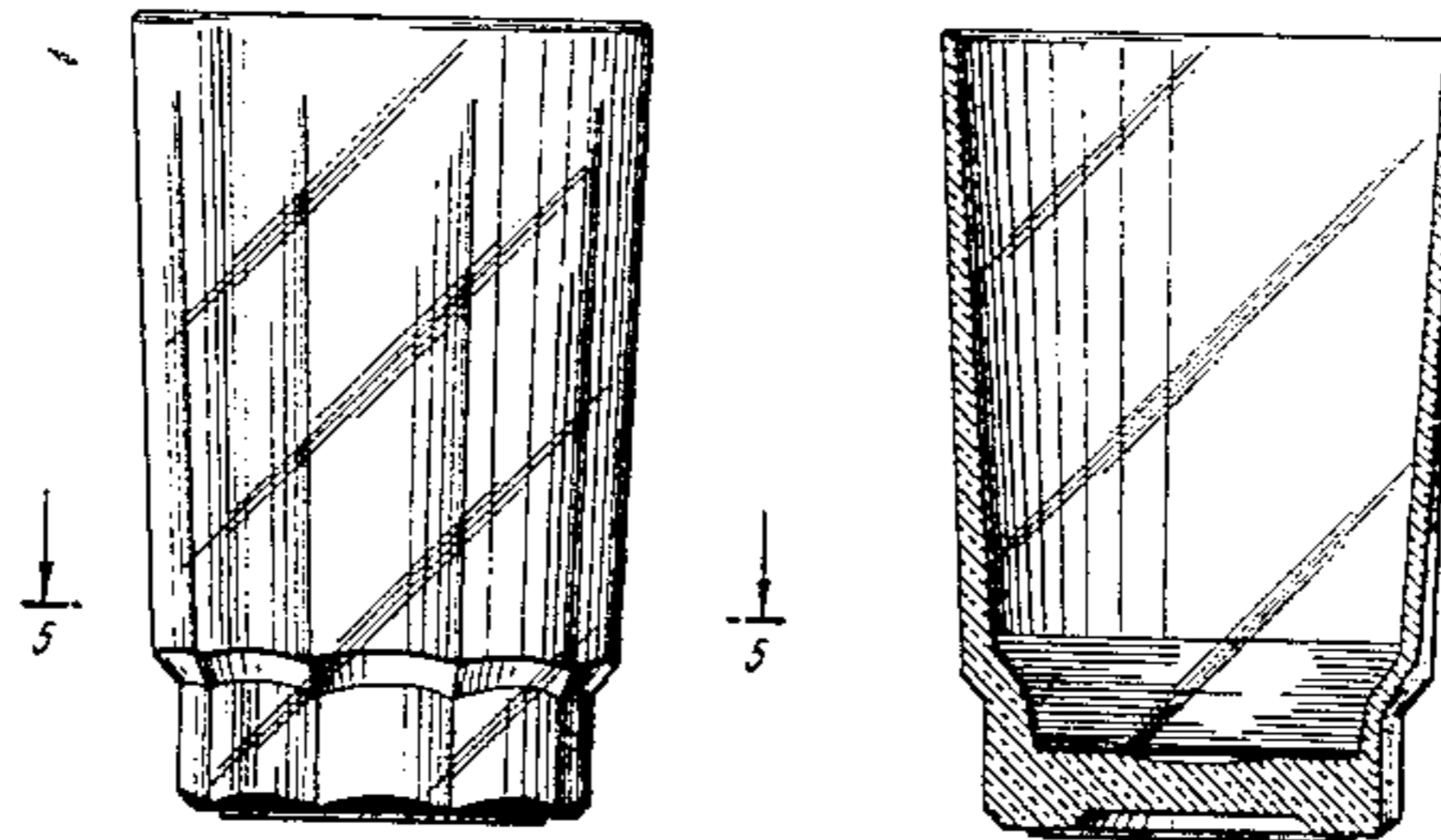


Fig. 1

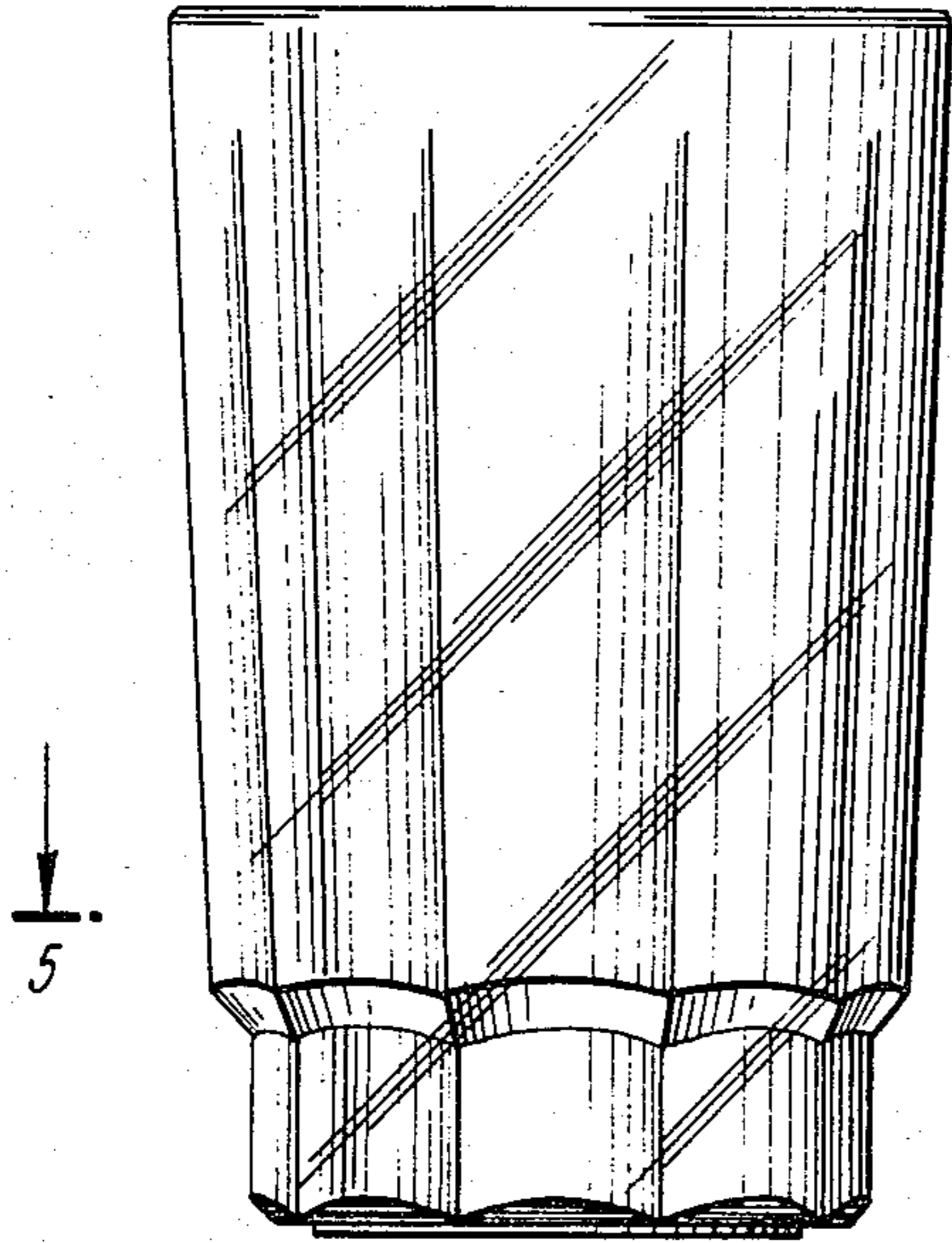


Fig. 2

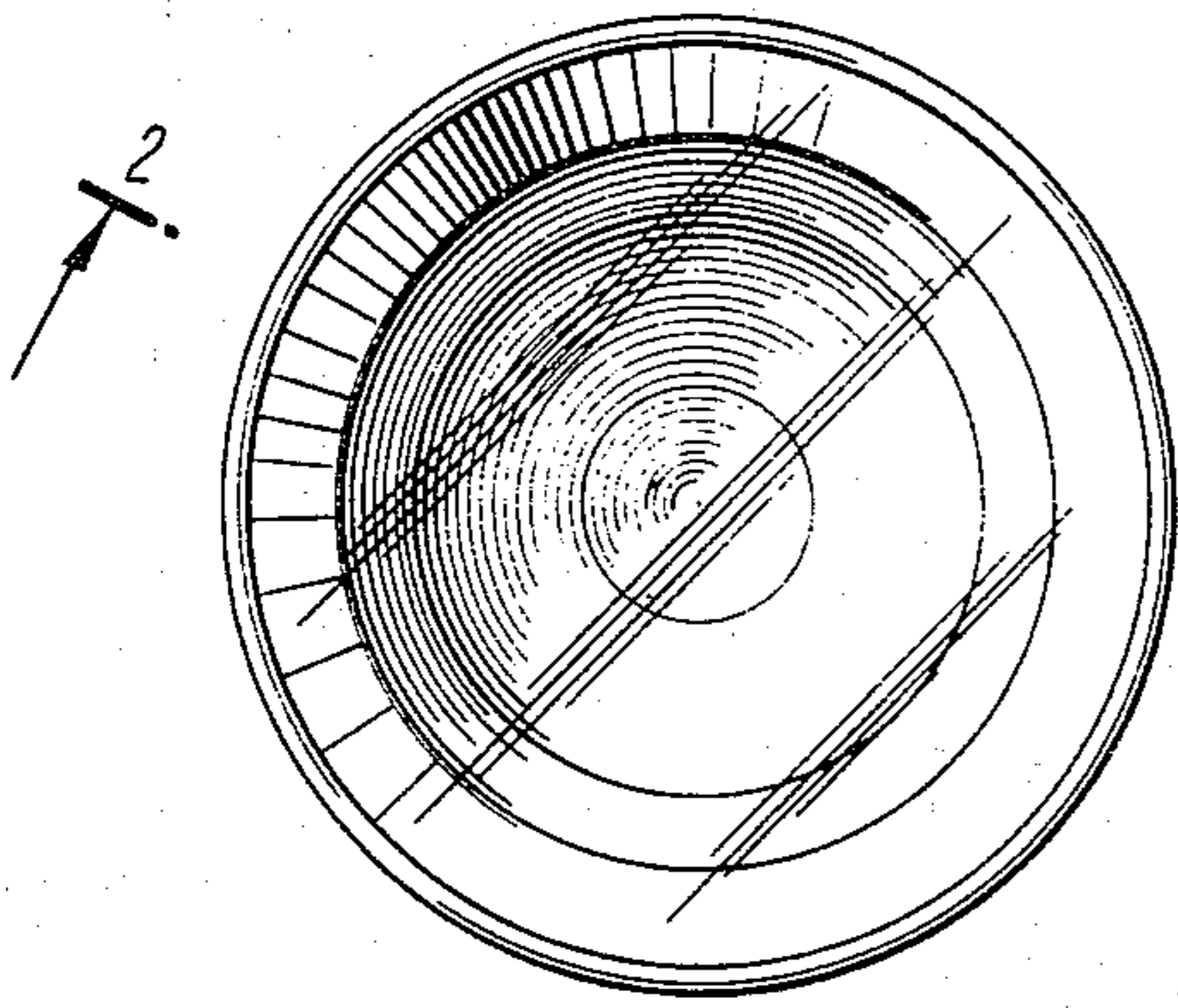
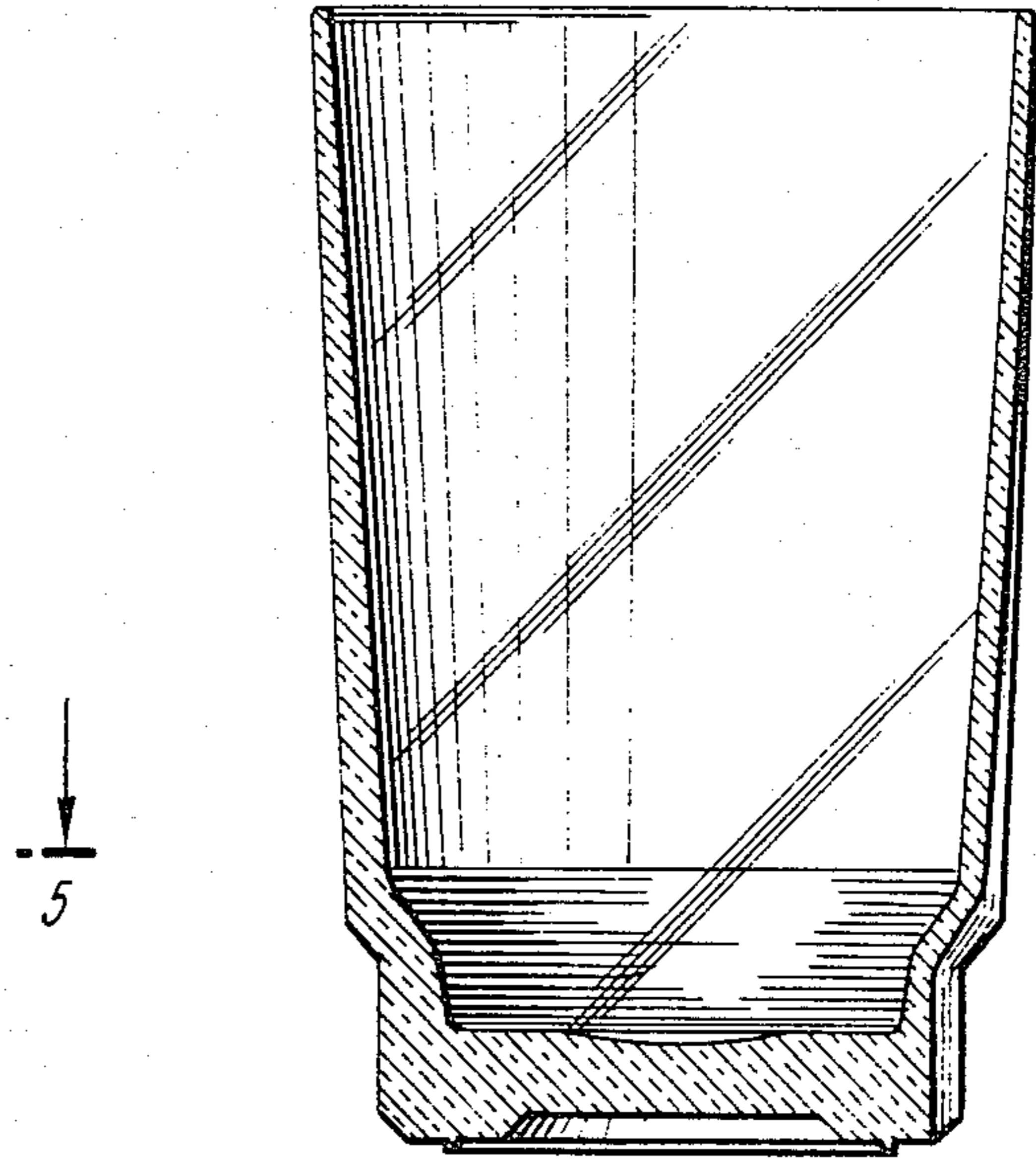


Fig. 3

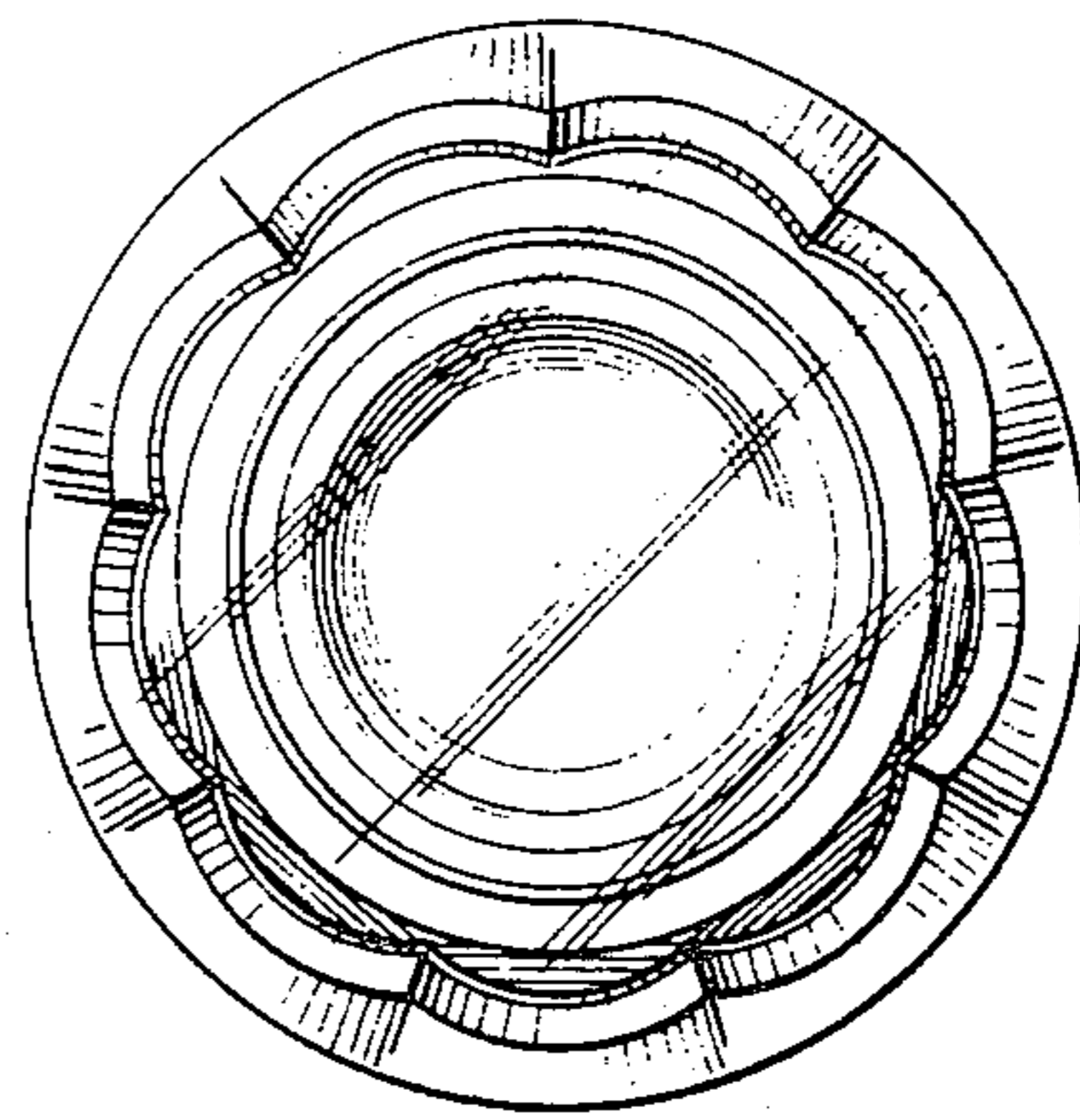


Fig. 4

Fig. 5

