

[54] MUG OR SIMILAR ARTICLE

[75] Inventor: **Richard M. Mansueto**, North Dighton, Mass.

[73] Assignee: **Robert J. Doherty**, Barrington, R.I.

[**] Term: **14 Years**

[21] Appl. No.: **487,526**

[22] Filed: **Apr. 22, 1983**

[52] U.S. Cl. **D7/9**

[58] Field of Search D7/1, 6, 9, 10, 11, D7/13, 27, 30, 39, 52, 312, 319; D9/375; 220/20, 23.8, 70, 85 D, 90.4, 94 A; 239/33; 428/35; 604/309, 47, 57

2,591,606 4/1952 Reed D7/6 X
 2,646,200 7/1953 Atkins D7/6 X
 3,297,186 1/1967 Wells 428/35 X
 3,403,618 10/1968 Lagg D7/39 X
 3,754,502 8/1973 kaufman D7/39 X

Primary Examiner—Bernard Ansher
Assistant Examiner—Linda Titolo
Attorney, Agent, or Firm—Robert J. Doherty

[57] CLAIM

The ornamental design for a mug or similar article, as shown and described.

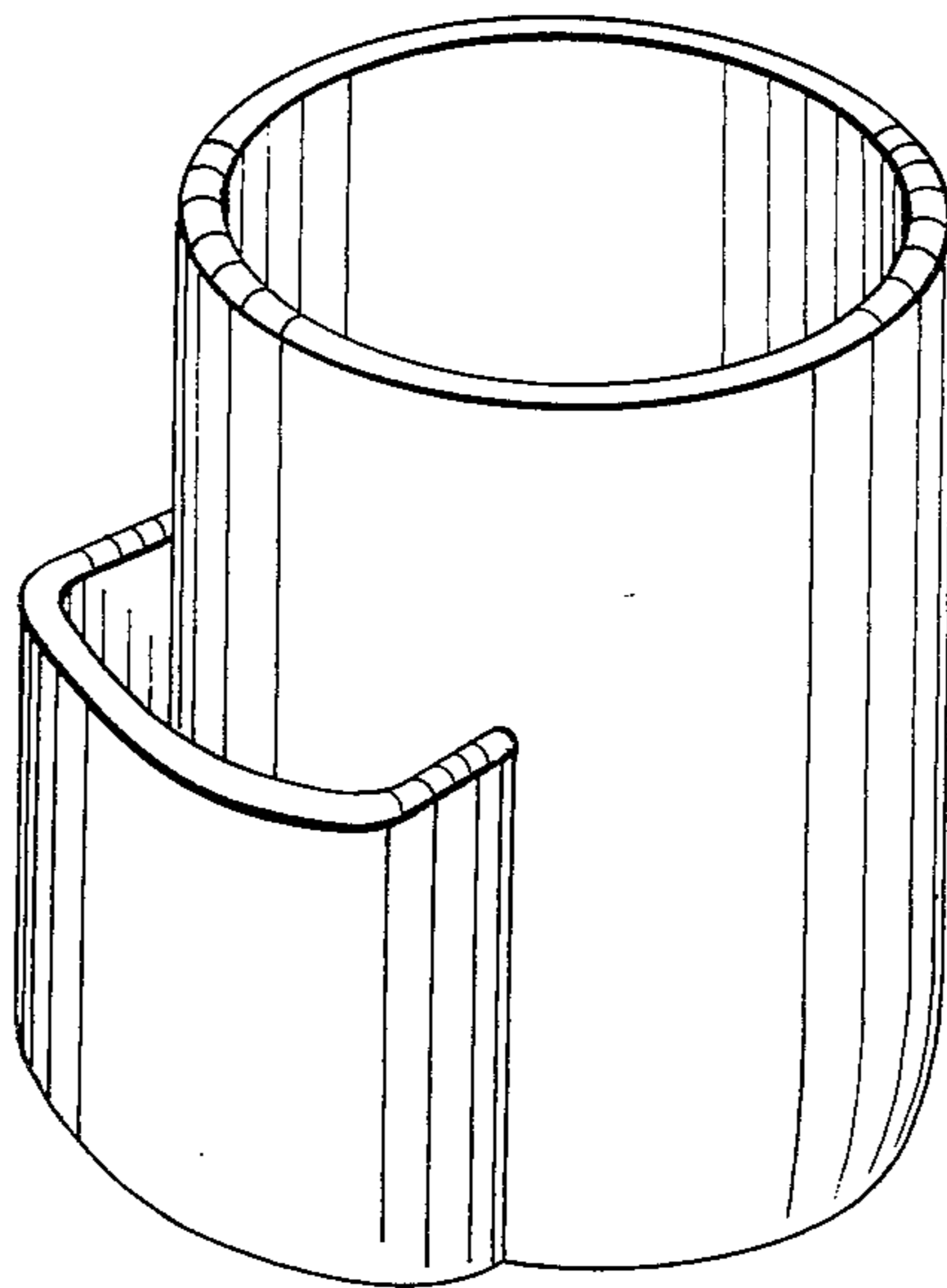
DESCRIPTION

FIG. 1 is a top perspective view of a mug or similar article showing my new design;
 FIG. 2 is a front elevational view thereof, the rear elevational view being a mirror image thereof; the broken lines indicating a handle are shown for illustrative purposes only;
 FIG. 3 is a left side elevational view thereof;
 FIG. 4 is a right side elevational view thereof;
 FIG. 5 is a top plan view thereof; and
 FIG. 6 is a bottom plan view thereof.

[56] **References Cited**

U.S. PATENT DOCUMENTS

D. 214,458 6/1969 Riley D7/9
 D. 233,973 12/1974 Jensen D9/375 X
 D. 235,182 5/1975 Capron D7/9 X
 D. 242,517 11/1976 Capron D7/52 X
 1,276,018 8/1918 Blaetus 220/85 D
 2,149,612 3/1939 Madsen 220/85 D



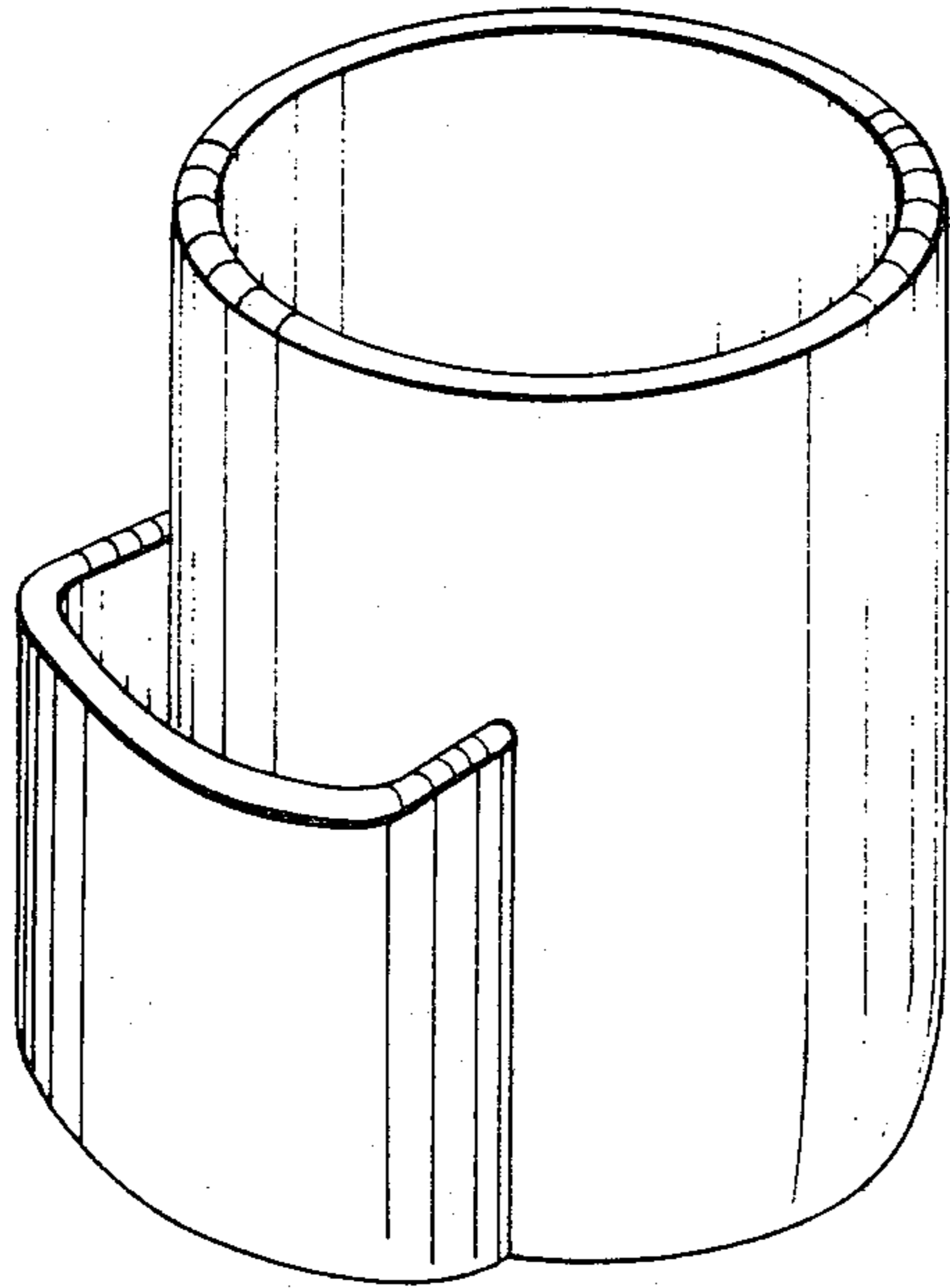


FIG. 1

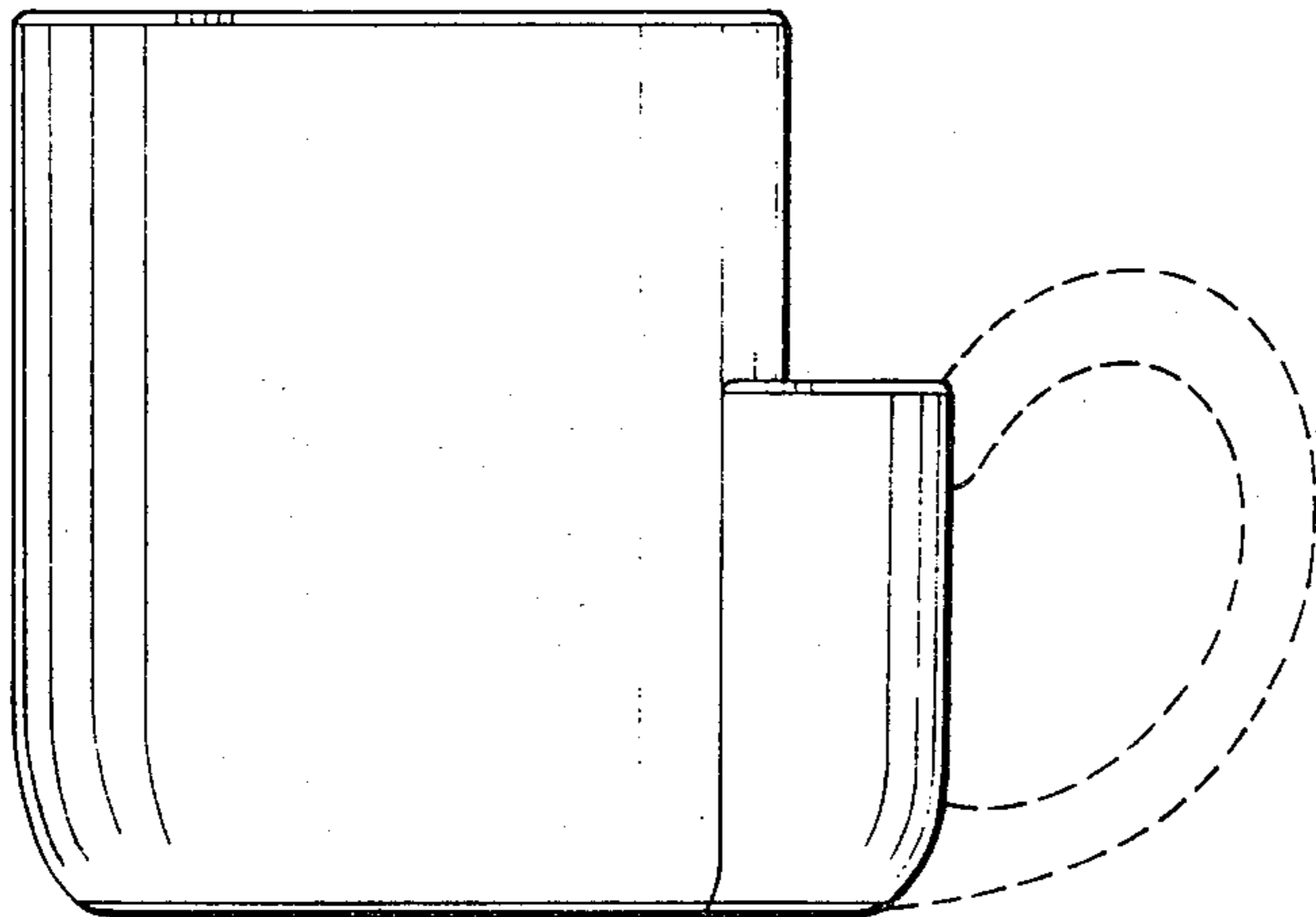


FIG. 2

FIG. 3

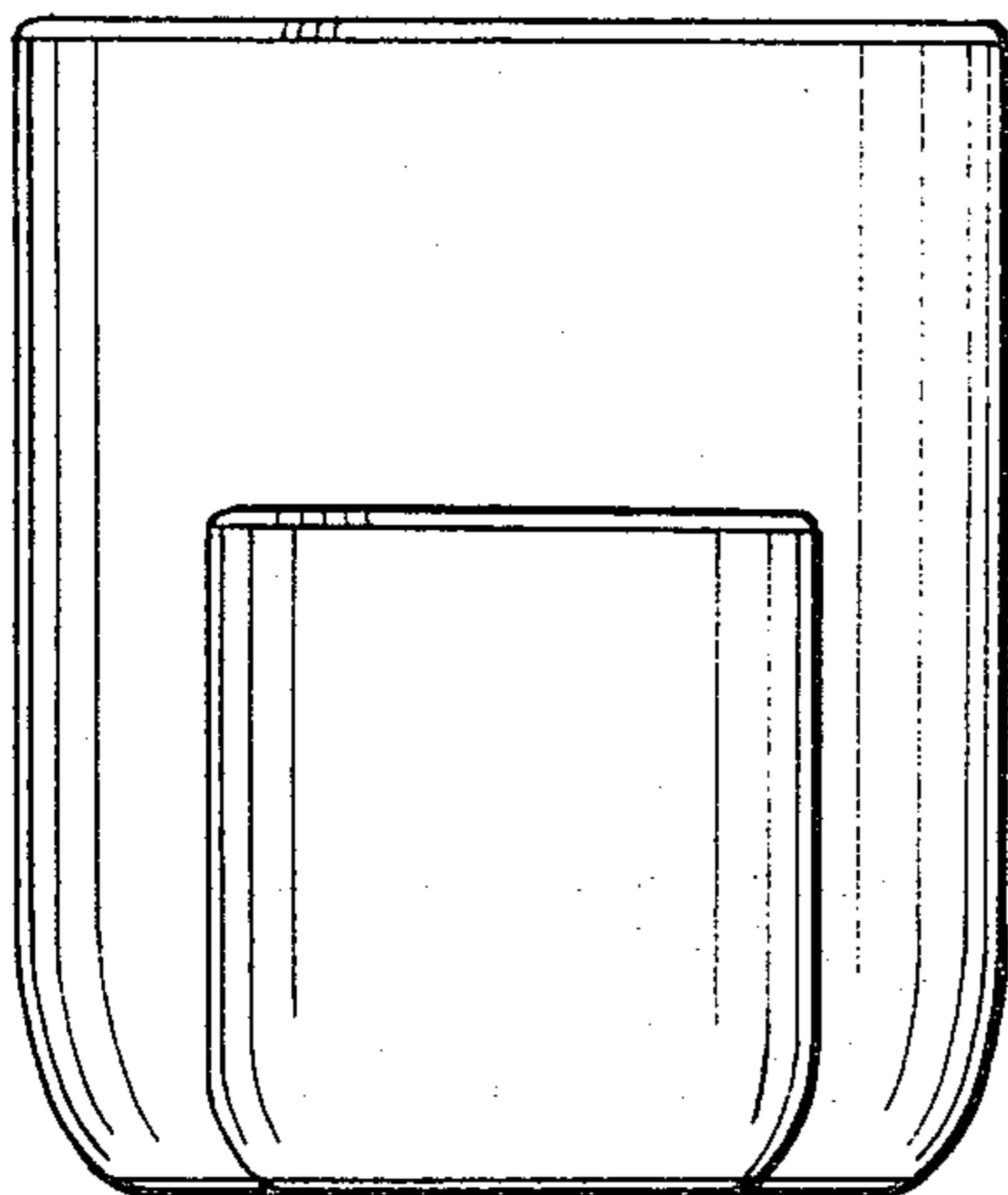


FIG. 4

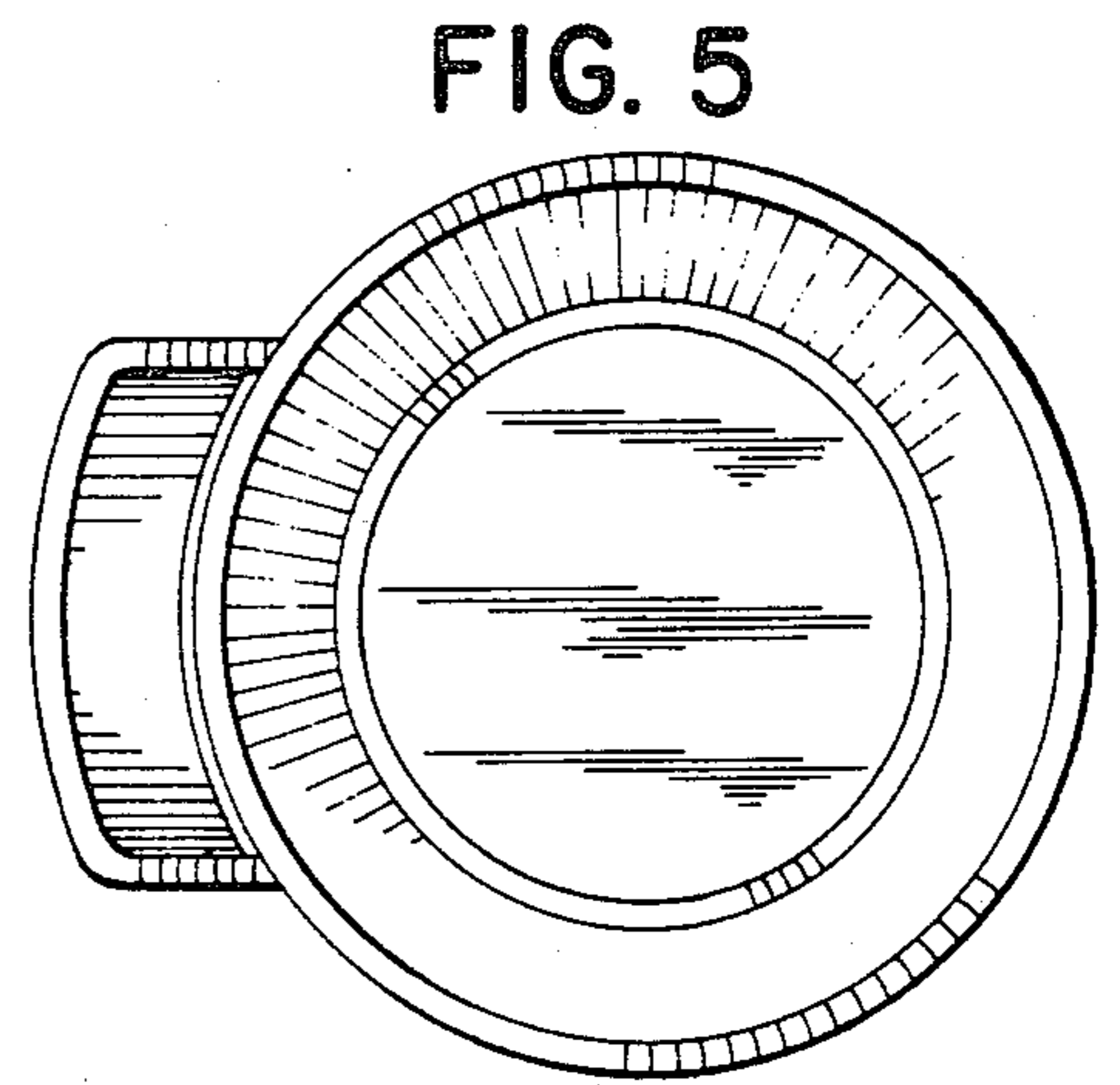


FIG. 5

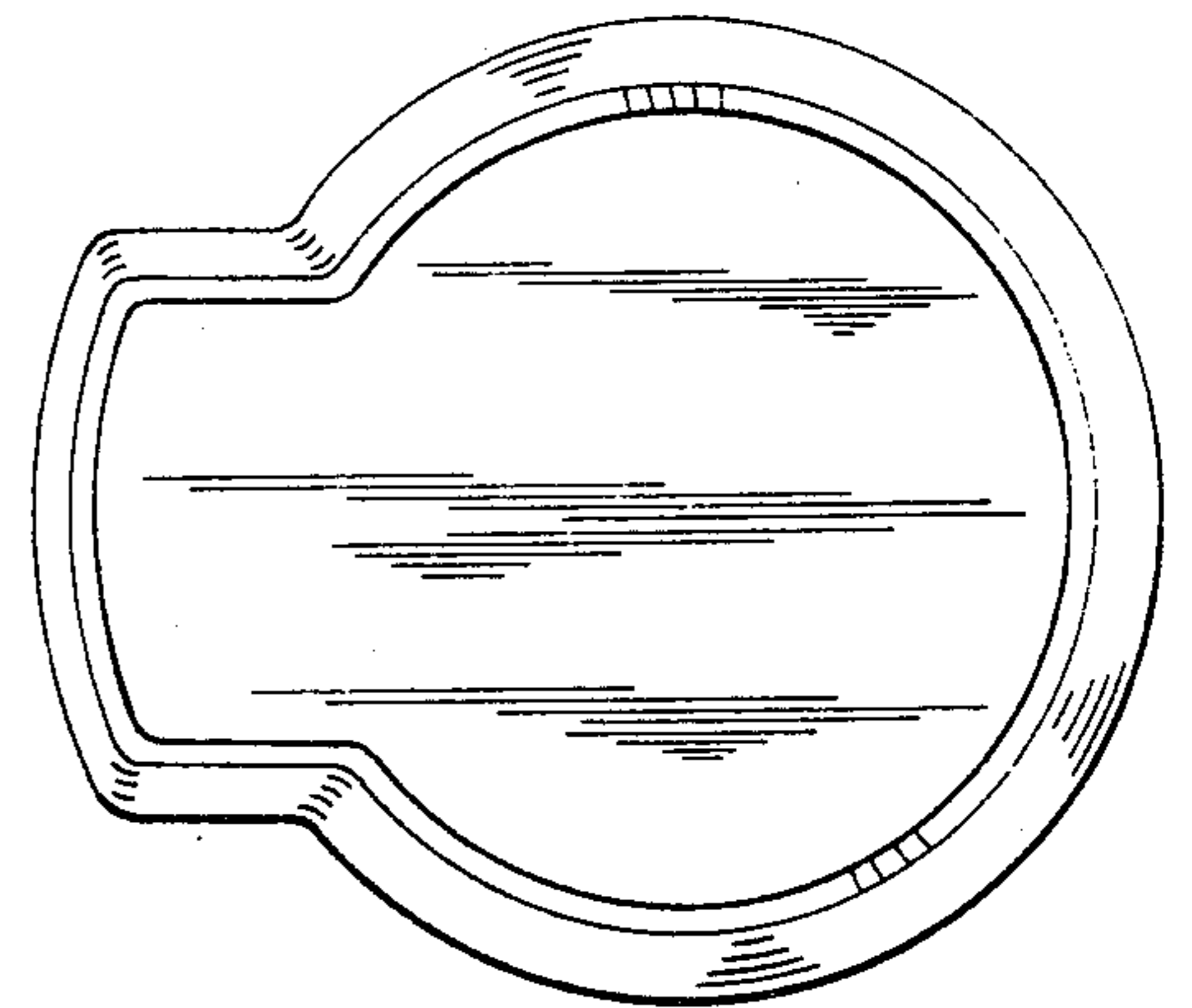


FIG. 6