

[54] SHOE RACK

[76] Inventor: Jervis J. Wattles, 16231 W. Fourteen Mile Rd., Birmingham, Mich. 48009

[\*\*] Term: 14 Years

[21] Appl. No.: 594,935

[22] Filed: Mar. 29, 1984

[52] U.S. Cl. .... D6/463; D6/473

[58] Field of Search ..... D6/411, 412, 413, 414, D6/462, 463, 464, 473, 474; 211/34, 35, 36, 37, 38, 13

[56] References Cited

U.S. PATENT DOCUMENTS

D. 138,503 8/1944 Churchill ..... D6/473

D. 240,421	7/1976	Rose	.....	D6/462
914,313	3/1909	Ryan	.....	211/35
1,733,487	10/1929	Hackley	.....	211/35
1,991,947	2/1935	Kochheiser	.....	211/35
3,311,242	3/1967	Miklya	.....	211/37
3,468,426	9/1969	Loewy	.....	211/35

Primary Examiner—Carmen H. Vales

[57] CLAIM

The ornamental design for a shoe rack, as shown and described.

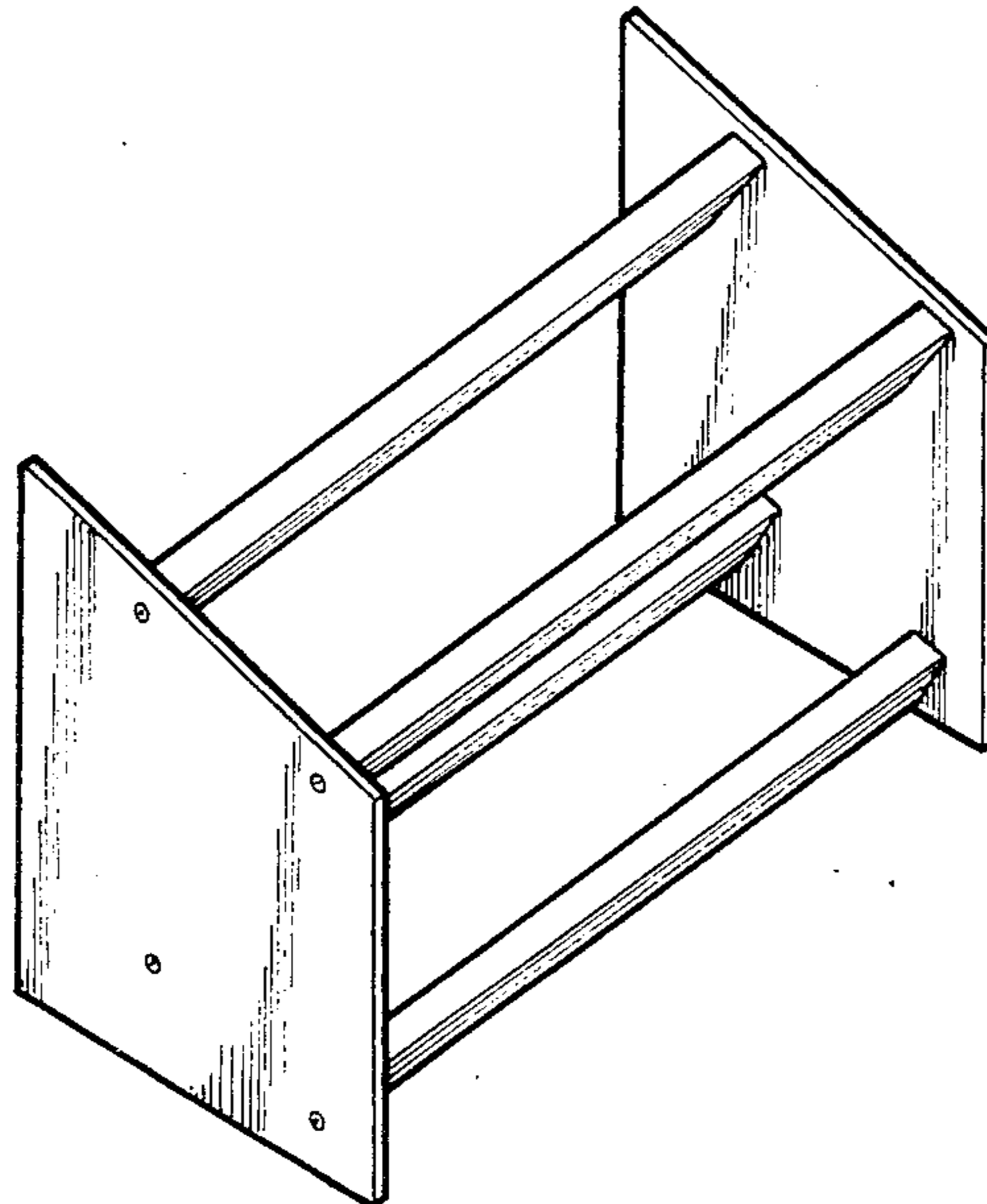
DESCRIPTION

FIG. 1 is a perspective view of the shoe rack showing my new design;

FIG. 2 is a top plan view thereof;

FIG. 3 is a front elevational view thereof; and

FIG. 4 is a side elevational view thereof.



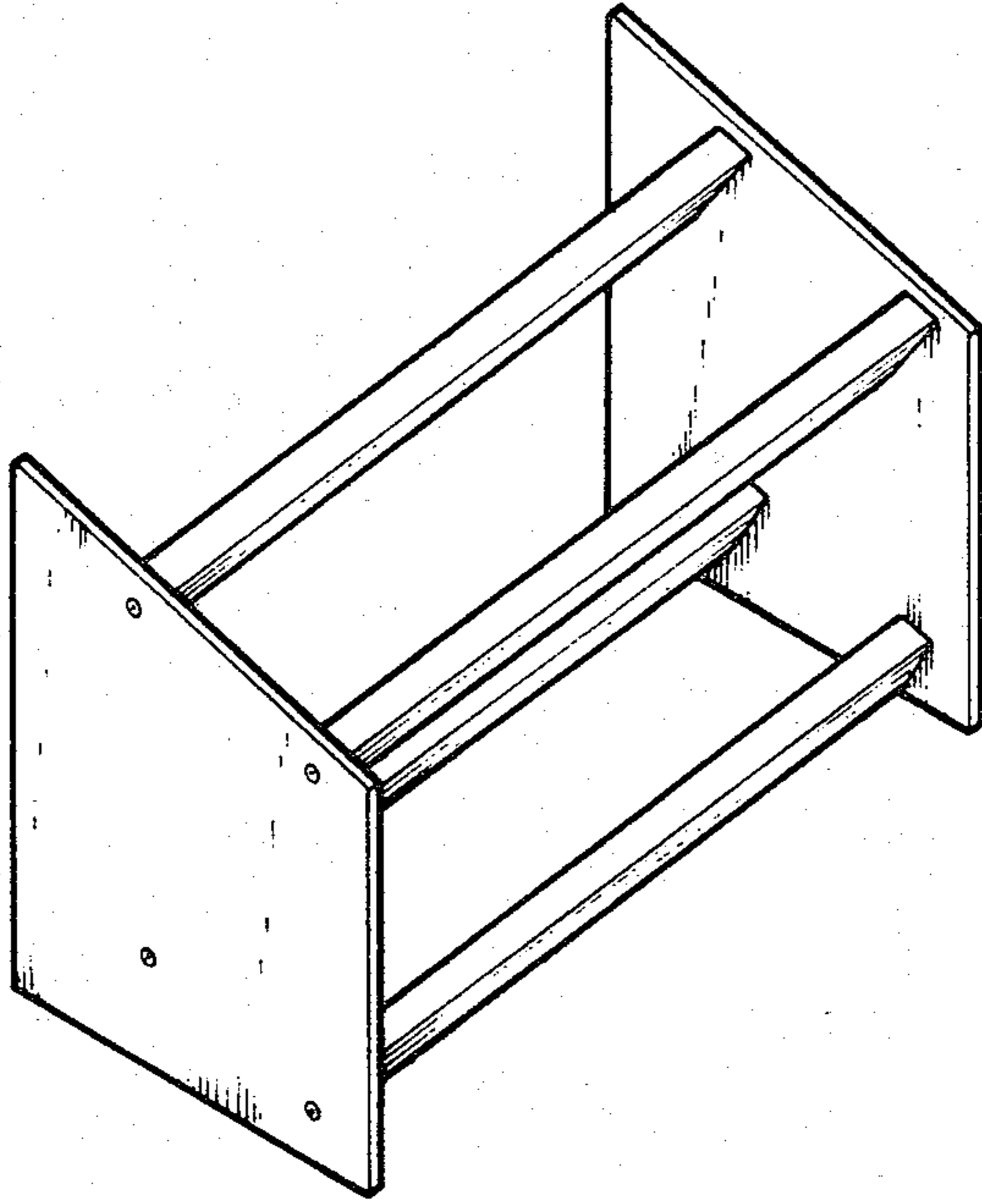


Fig-1

Fig-2

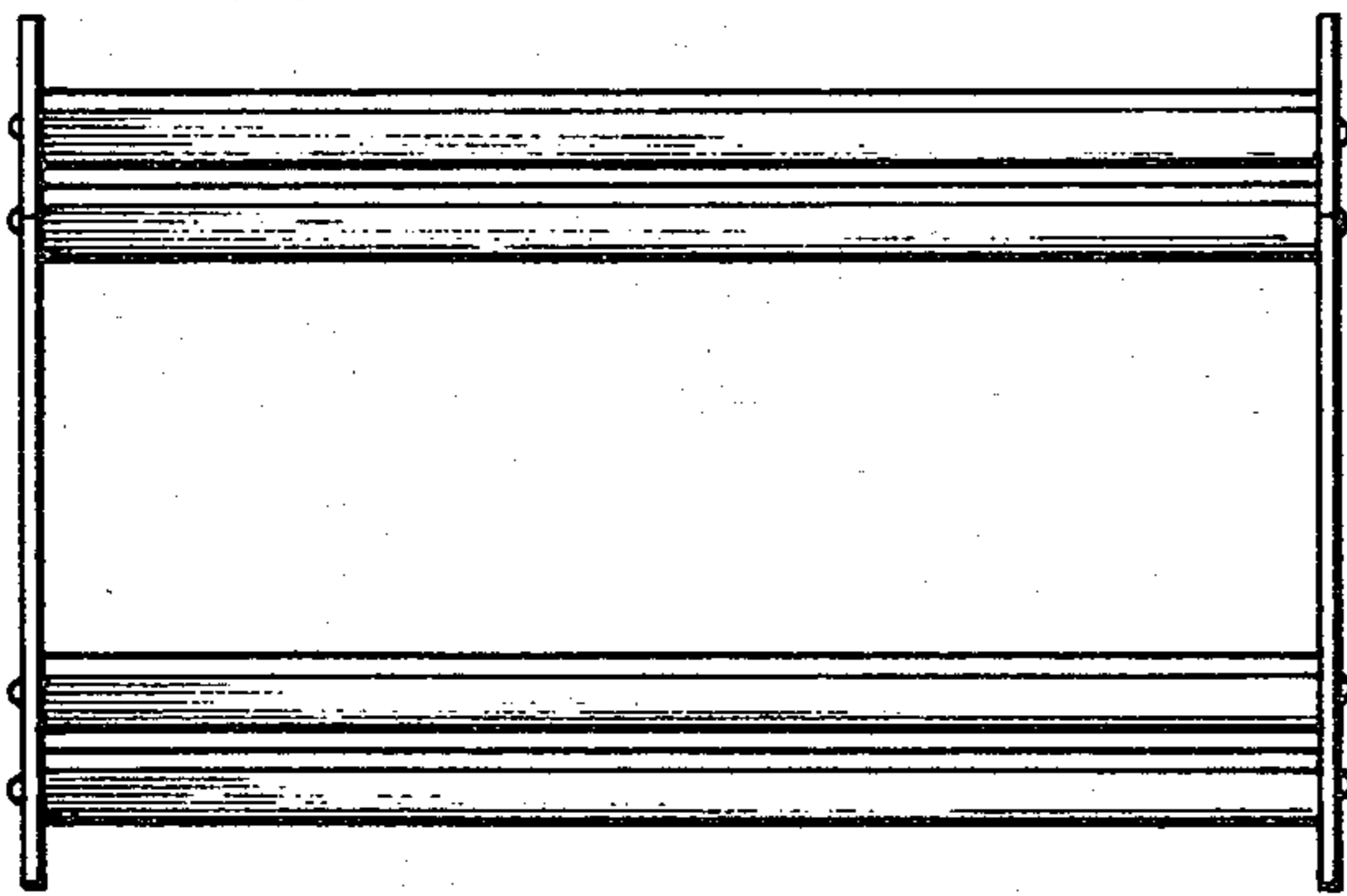
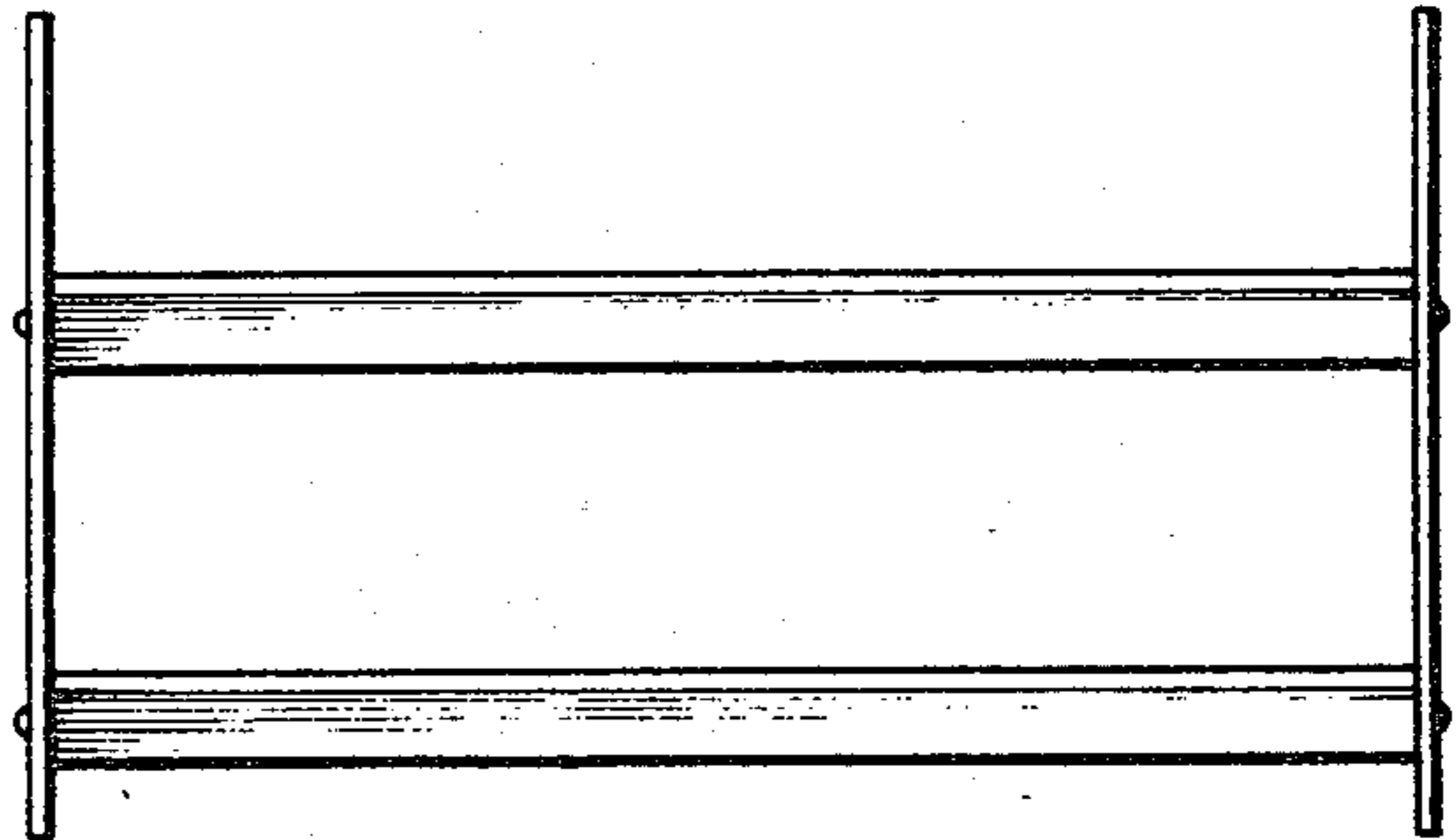


Fig-3

Fig-4

