

[54] PARTITIONED DESK UNIT

[76] Inventor: Devere P. Kent, 5720 S. Jordan Canal Rd., Salt Lake City, Utah 84118

[\*] Notice: The portion of the term of this patent subsequent to Sep. 13, 1997 has been disclaimed.

[\*\*] Term: 14 Years

[21] Appl. No.: 487,127

[22] Filed: Apr. 21, 1983

[52] U.S. Cl. .... D6/421

[58] Field of Search ..... D6/421, 422, 423, 424, D6/425, 426, 427, 428, 456; 312/194, 195, 196; 108/60

[56] References Cited

U.S. PATENT DOCUMENTS

- D. 197,652 3/1964 Courtwright ..... D33/11
- D. 199,399 10/1964 Lewis ..... D33/11
- D. 218,176 7/1970 Des Marias et al. .... D6/1
- D. 231,062 3/1974 Kramer ..... D6/3
- D. 233,497 11/1974 Zelkowitz ..... D6/3

- D. 247,853 5/1978 Levine ..... D6/3
- D. 270,504 9/1983 Kent ..... D6/456
- 2,633,398 3/1953 McAllister ..... 312/196
- 2,694,614 11/1954 Dent ..... 312/196
- 2,888,306 5/1959 Sease et al. .... 312/196
- 2,970,874 2/1961 Honeycutt et al. .... 312/223
- 3,160,451 12/1964 Lewis ..... 312/194
- 3,172,712 3/1965 Allen ..... 312/197
- 3,361,508 1/1968 Chassevent ..... 312/239
- 3,698,104 10/1972 Sutton ..... 108/60
- 3,715,815 2/1973 Lewis ..... 312/196

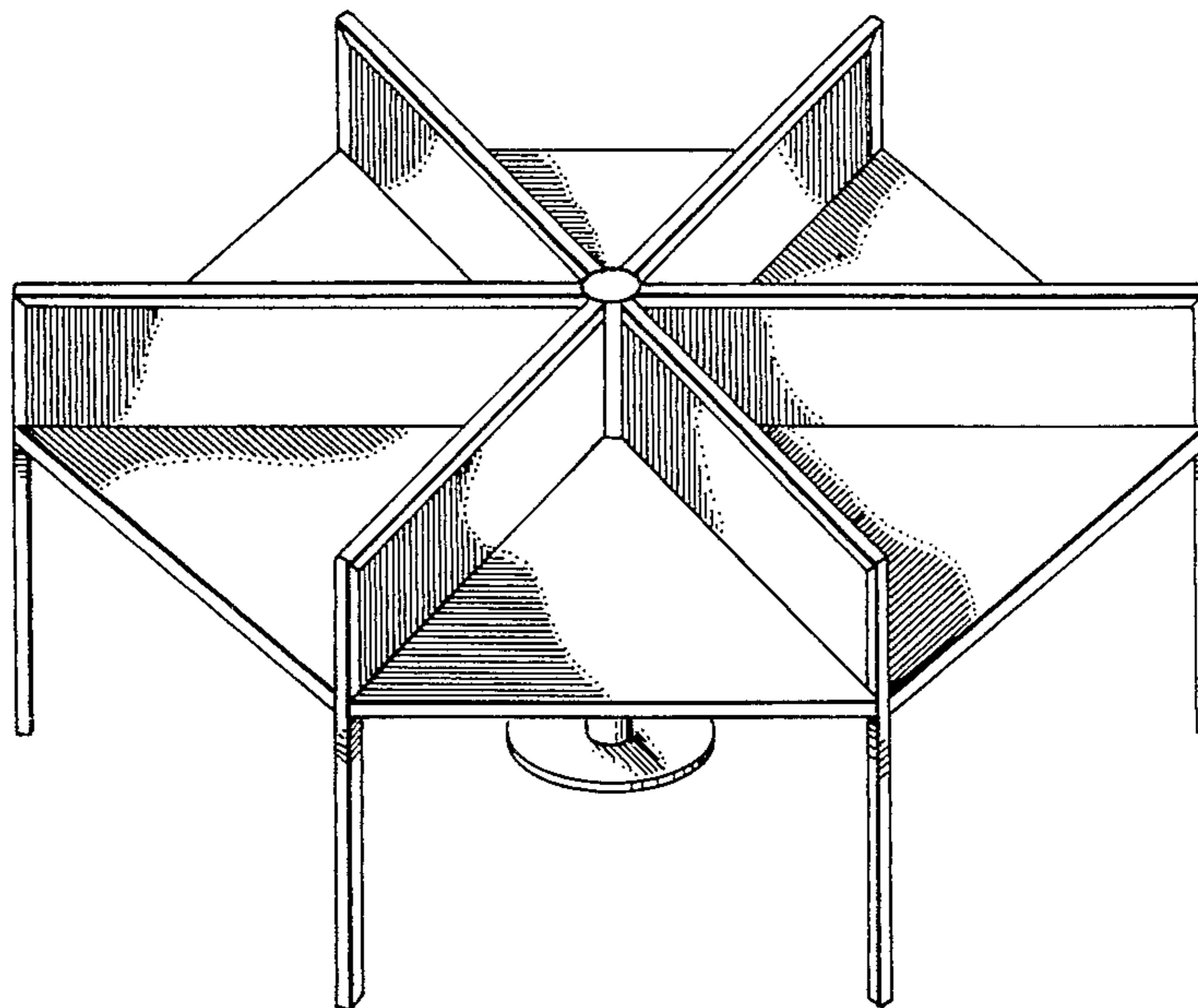
Primary Examiner—Carmen H. Vales  
Attorney, Agent, or Firm—Workman, Nydegger & Jensen

[57] CLAIM

The ornamental design for a partitioned desk unit, as shown and described.

DESCRIPTION

FIG. 1 is a perspective view of a partitioned desk unit showing my new design;  
FIG. 2 is a top plan view thereof;  
FIG. 3 is a front elevational view thereof; and  
FIG. 4 is a bottom plan view thereof.



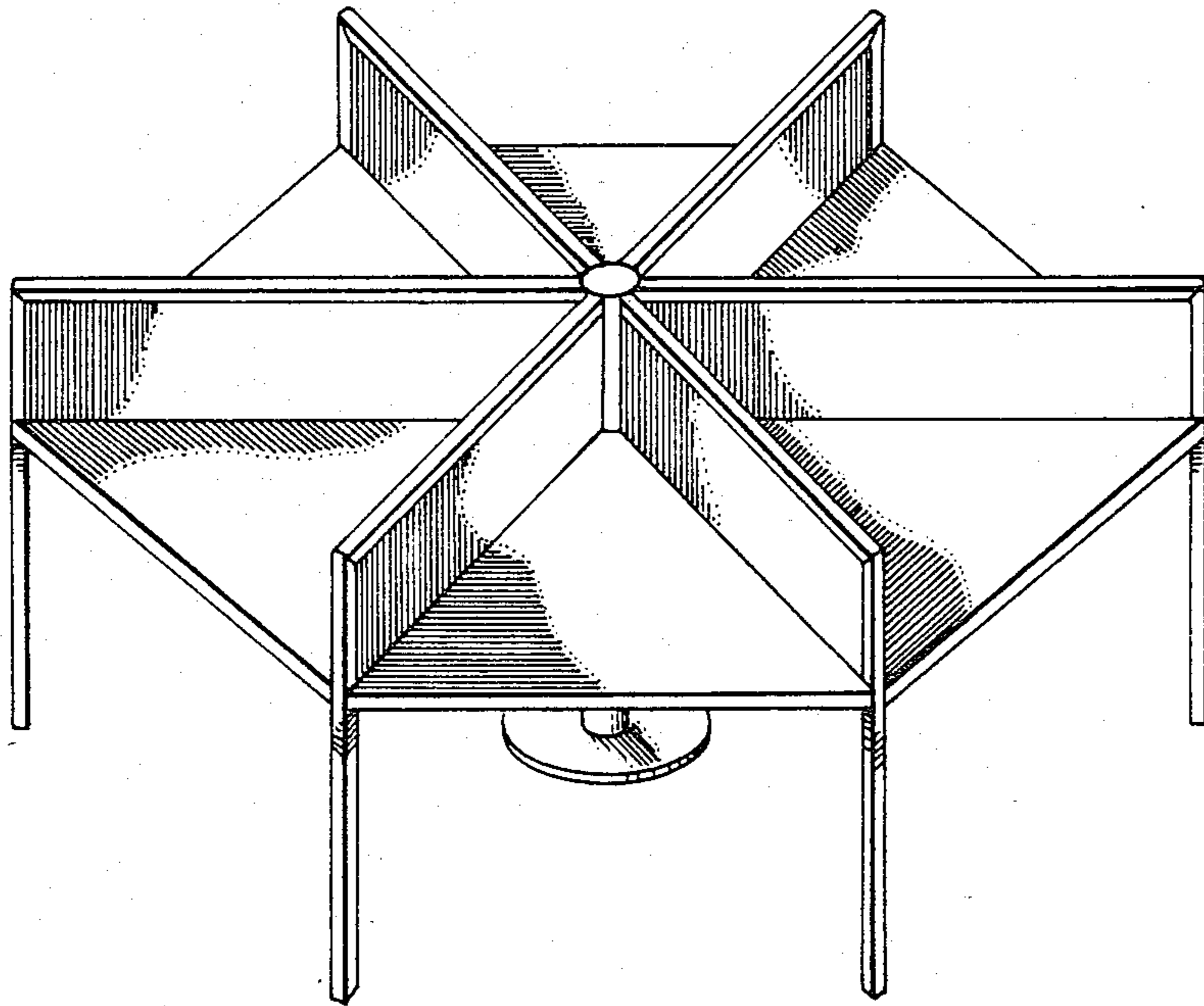


Fig. 1

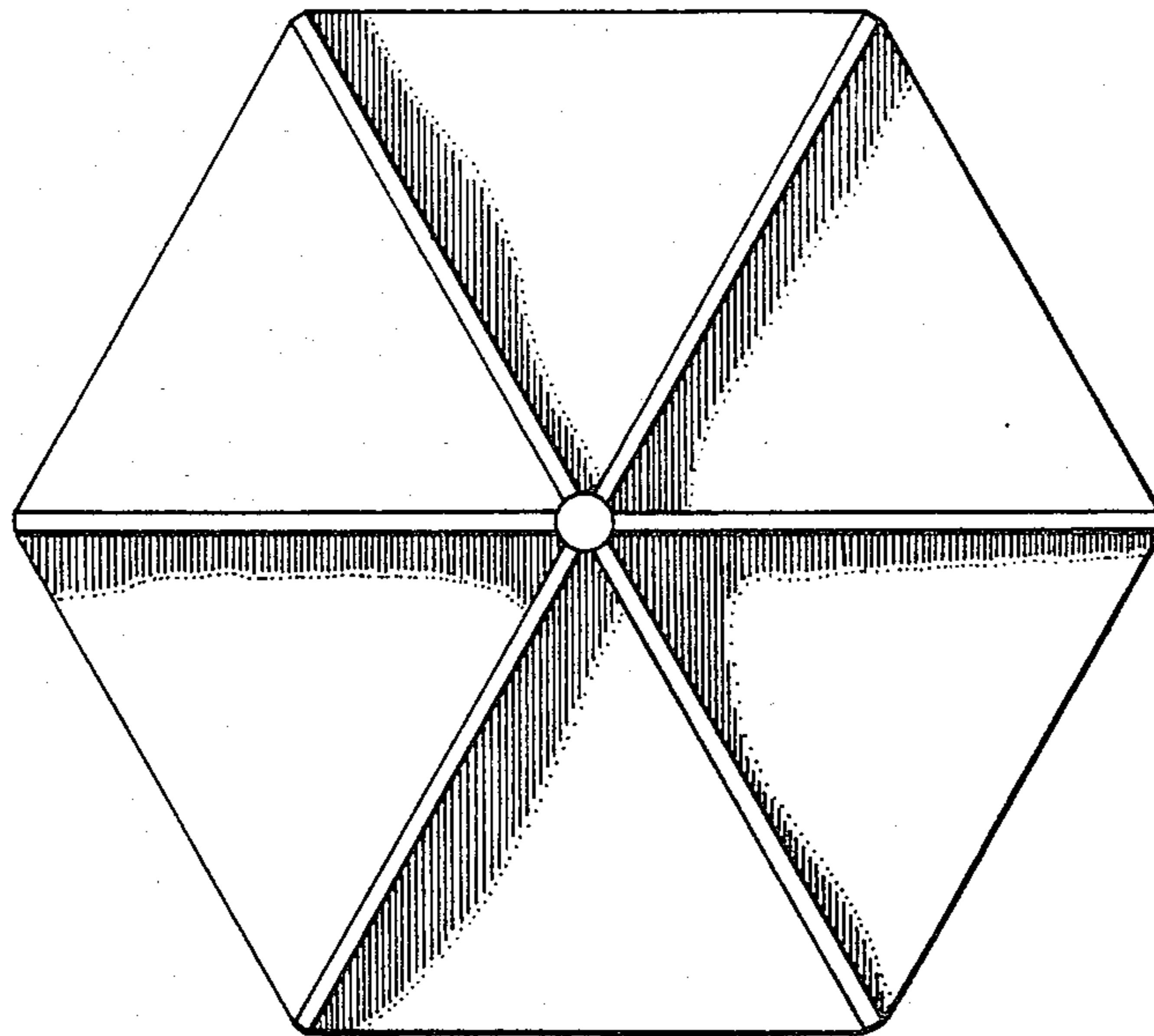


Fig. 2

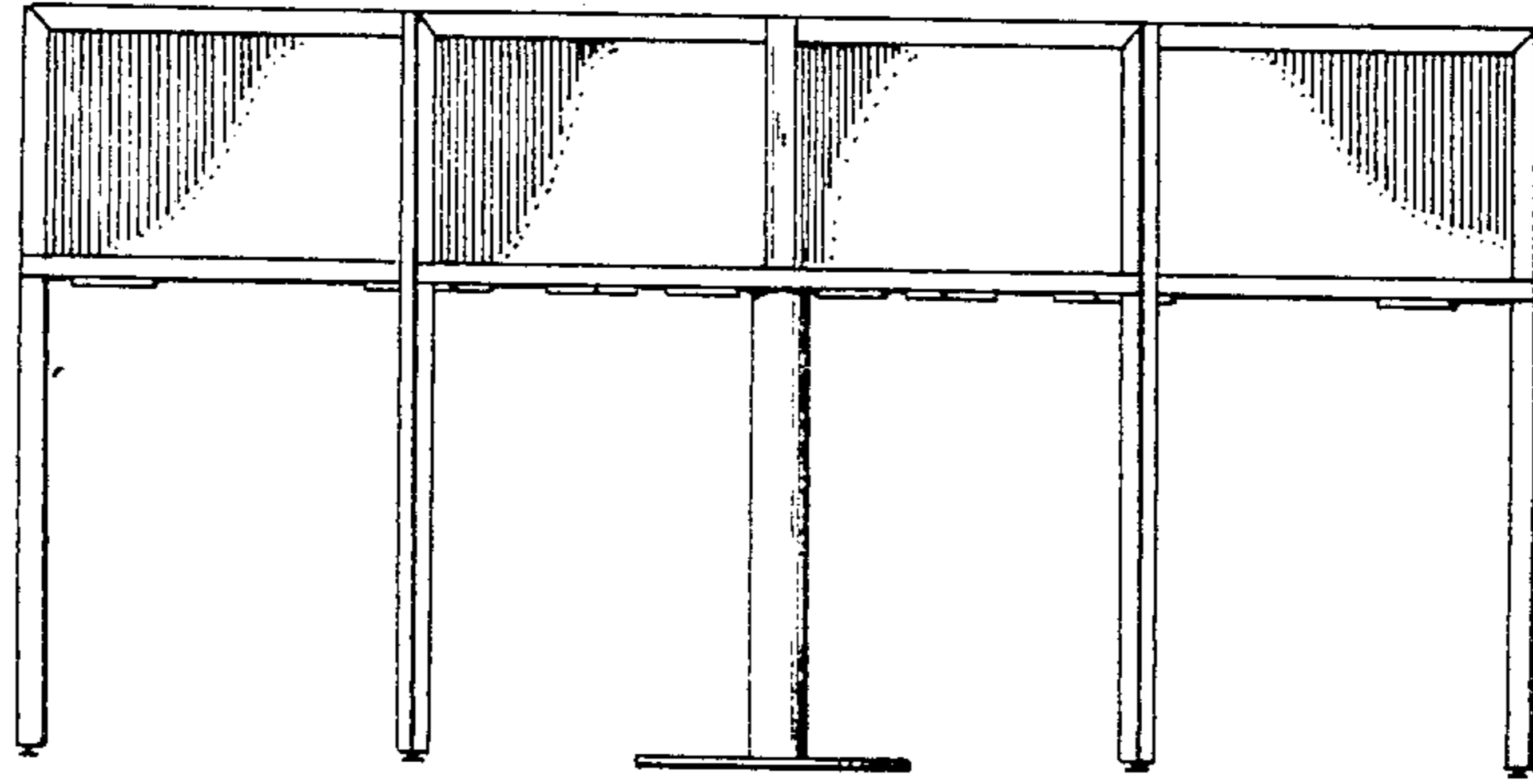


Fig. 3

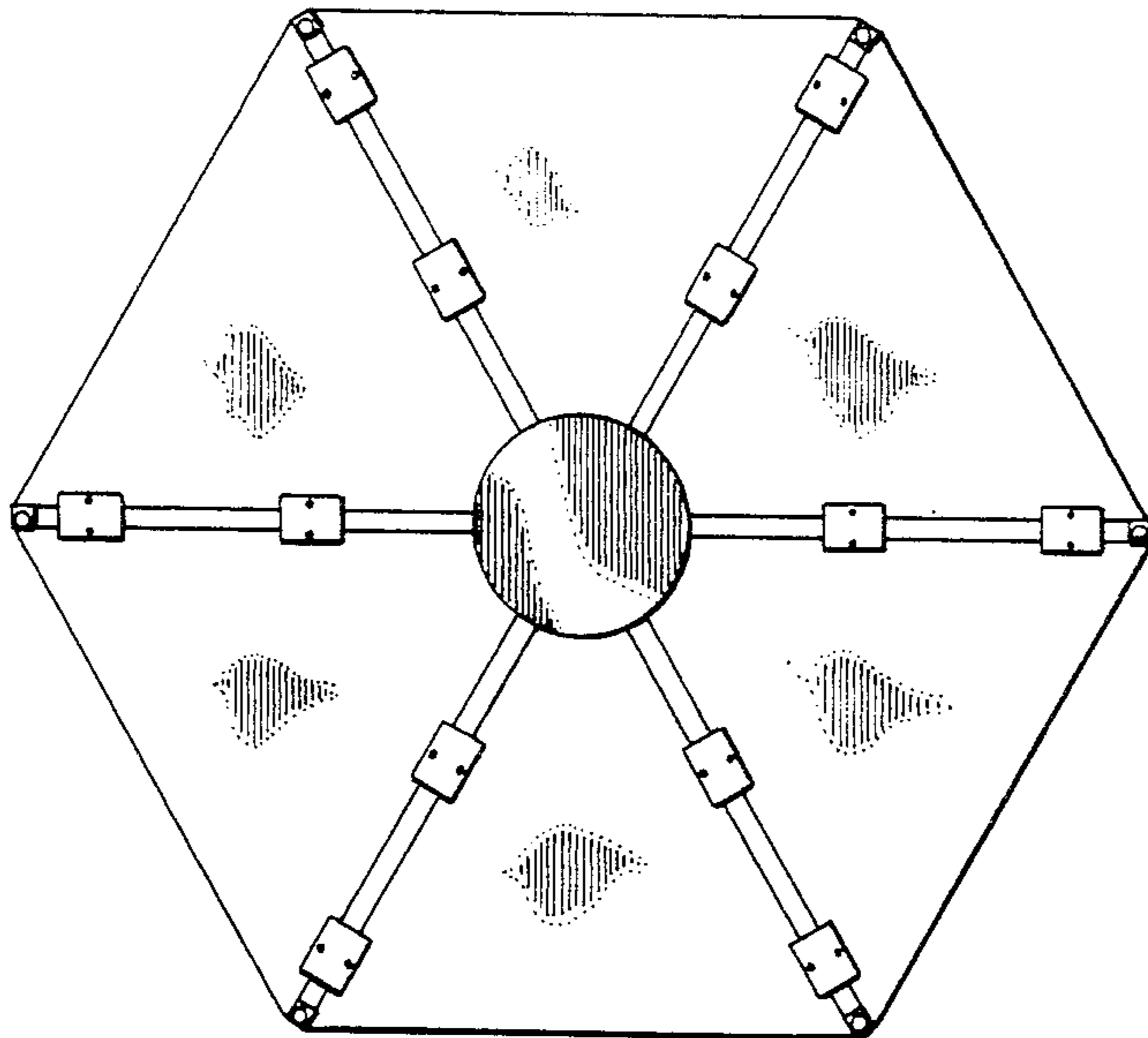


Fig. 4