

[54] **CASE FOR CYMBALS**

[76] **Inventor: Marco T. Ogden, R.R. 2, Box 399, Collinsville, Okla. 74021**

[**] **Term: 14 Years**

[21] **Appl. No.: 500,298**

[22] **Filed: Jun. 2, 1983**

[52] **U.S. Cl. D3/30.1; D3/35; D3/66**

[58] **Field of Search 206/314, 303, 309; D3/30.1, 44, 66, 73, 35-38**

[56] **References Cited**

U.S. PATENT DOCUMENTS

D. 180,763 8/1957 Bond et al. D3/73
D. 232,735 9/1974 Orville et al. D3/73
D. 247,197 2/1978 Mikosz D3/30.1
D. 255,508 6/1980 Hughes D3/73

D. 257,576 12/1980 Borrovniczky D3/73
D. 262,073 12/1981 Zimmerman D3/35

OTHER PUBLICATIONS

Grossman Music Cat., ©1967, p. 72, left center.
Targ & Dinner Cat. 1970, p. 291, bottom of page.

Primary Examiner—George P. Word

[57] **CLAIM**

The ornamental design for a case for cymbals, substantially as shown.

DESCRIPTION

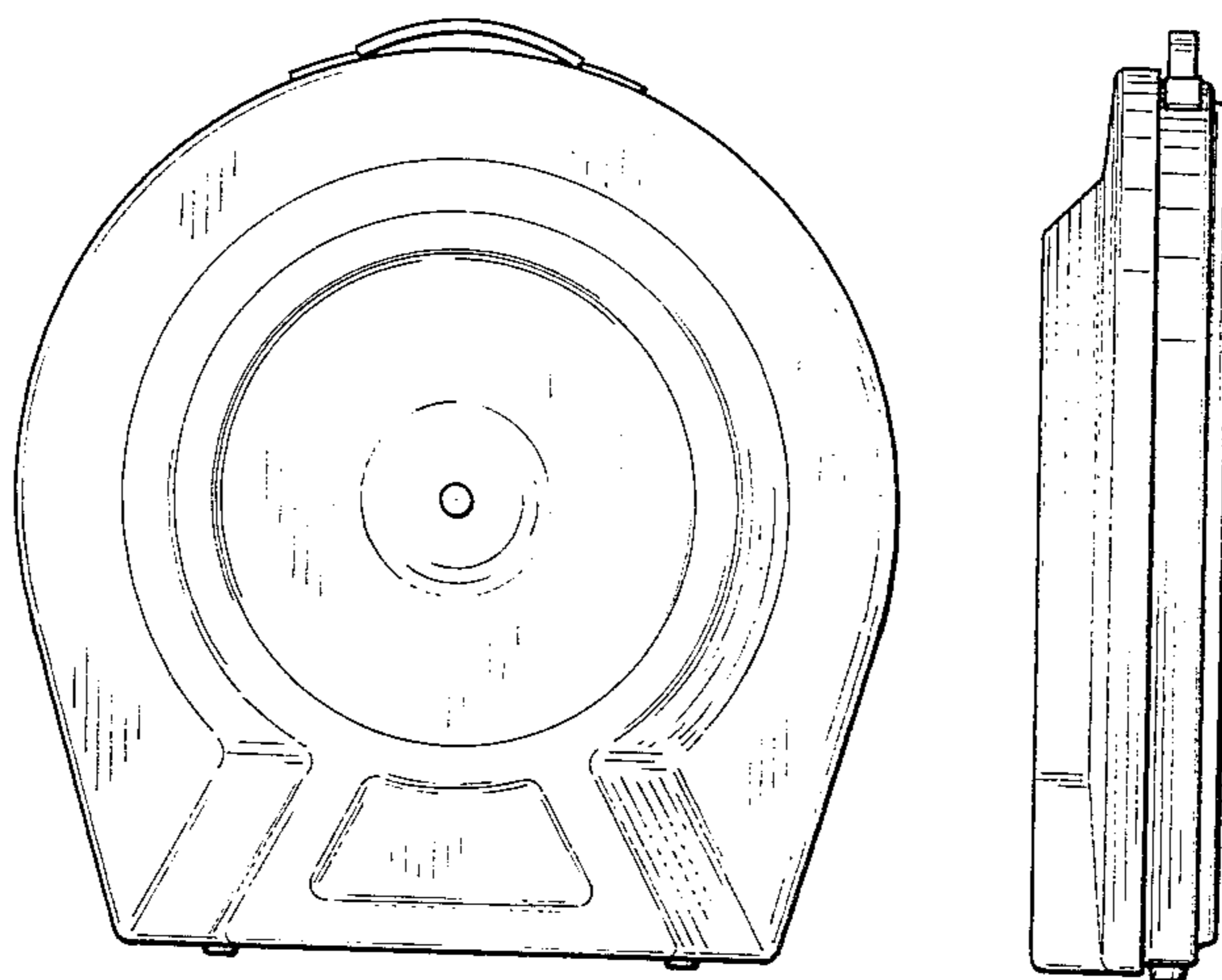
FIG. 1 is a front elevational view of a case for cymbals showing my new design;

FIG. 2 is a right side elevational view thereof;

FIG. 3 is a top plan view thereof;

FIG. 4 is a bottom plan view thereof; and

FIG. 5 is a rear elevational view thereof.



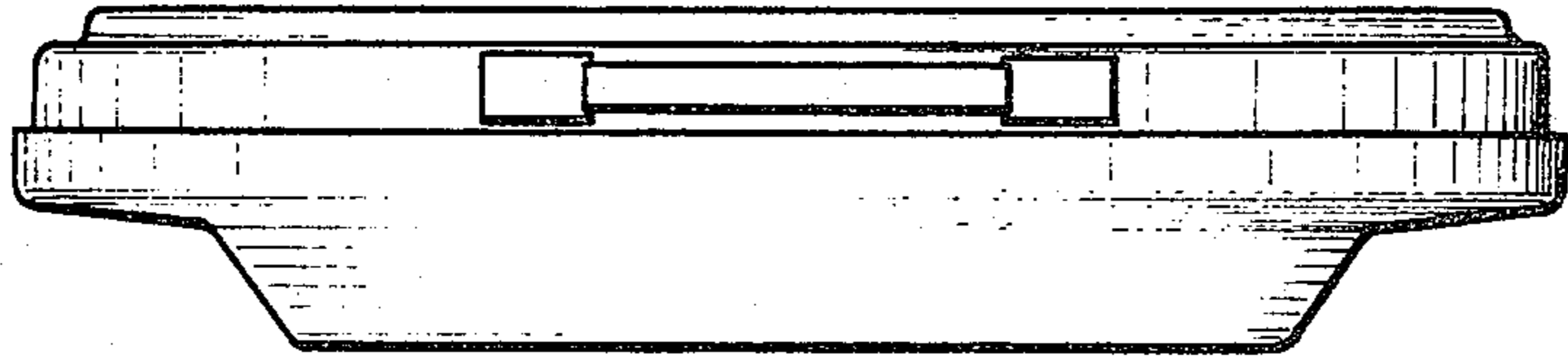


Fig. 3

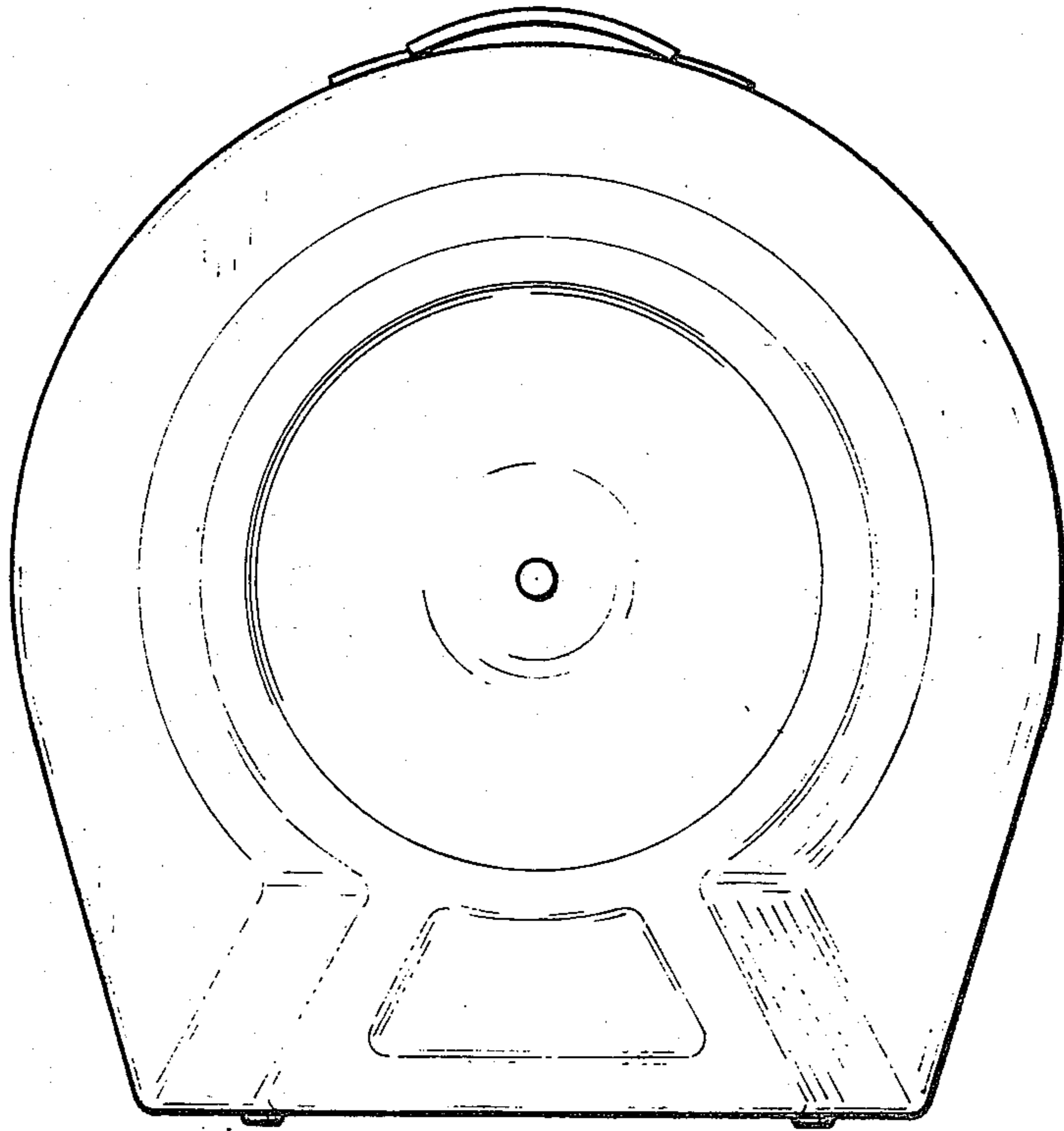


Fig. 1

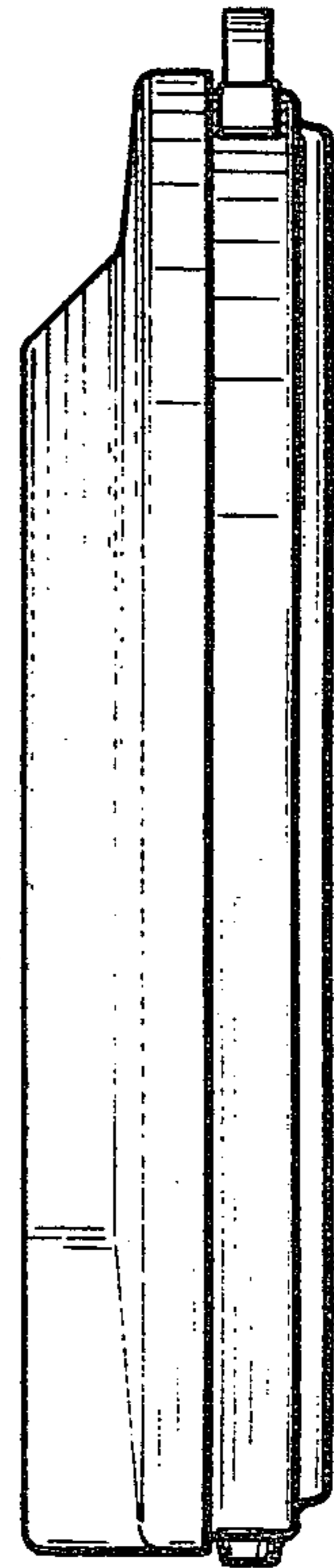


Fig. 2

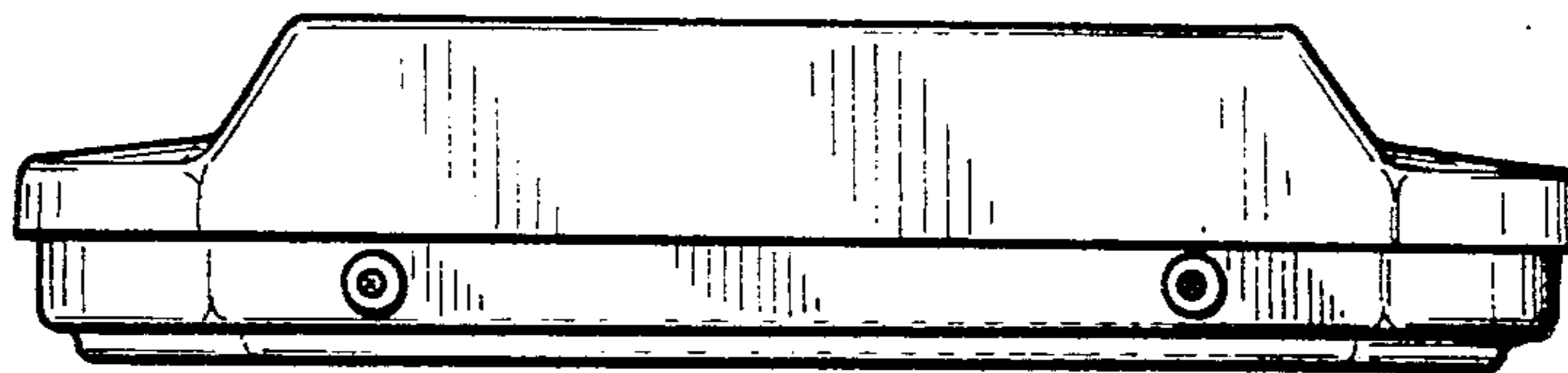


Fig. 4

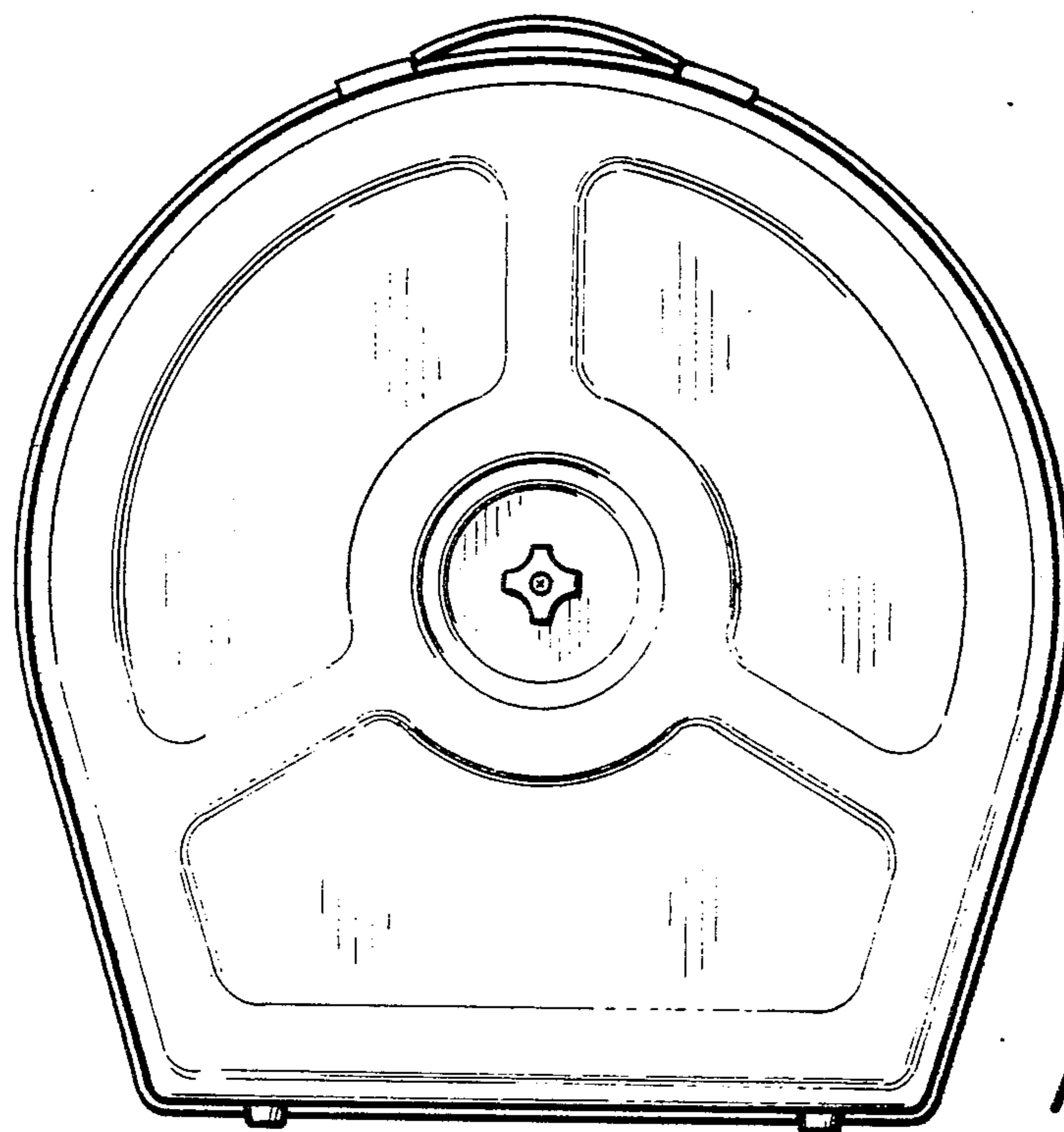


Fig. 5