

[54] FLOOR SWEEPING DEVICE AND A BRUSH COMB THEREFOR

[75] Inventor: Hans E. Slany, Esslingen/Neckar, Fed. Rep. of Germany

[73] Assignee: Leifheit AG, Nassau/Lahn, Fed. Rep. of Germany

[**] Term: 14 Years

[21] Appl. No.: 534,228

[22] Filed: Sep. 21, 1983

[30] Foreign Application Priority Data

Mar. 21, 1983 [DE] Fed. Rep. of Germany ... 6 MR 1216

[52] U.S. Cl. D32/38

[58] Field of Search D32/38, 39; 15/41-48; D4/116, 130-136

[56] References Cited

U.S. PATENT DOCUMENTS

- D. 233,806 12/1974 Hukuba D4/135
- 3,629,892 12/1971 Smyth et al. 15/48
- 4,357,727 11/1982 McDowell 15/41 R
- 4,484,371 11/1984 Patzold et al. 15/41 R
- 4,489,457 12/1984 Deimel et al. 15/41 R

FOREIGN PATENT DOCUMENTS

- 283093 11/1967 Australia 15/41 R
- 1957576 5/1971 Fed. Rep. of Germany 15/41 R
- 2411486 9/1975 Fed. Rep. of Germany 15/42
- 2733481 2/1979 Fed. Rep. of Germany 15/42
- 3005238 8/1981 Fed. Rep. of Germany 15/48

Primary Examiner—Catherine E. Kemper
Attorney, Agent, or Firm—Frishauf, Holtz, Goodman & Woodward

[57] CLAIM

The ornamental design for a floor sweeping device and a brush comb therefor, as shown and described.

DESCRIPTION

FIG. 1 is a top perspective view of a floor sweeping device and brush comb therefor, showing my new design;

FIG. 2 is a left side elevational view, the right side being a mirror image thereof;

FIG. 3 is a top plan view thereof;

FIG. 4 is a front elevational view thereof;

FIG. 5 is a rear elevational view thereof;

FIG. 6 is a top perspective view of a second embodiment of a floor sweeping device;

FIG. 7 is a left side elevational view, the right side being a mirror image thereof;

FIG. 8 is a top plan view thereof;

FIG. 9 is a front elevational view thereof;

FIG. 10 is a rear elevational view thereof;

FIG. 11 is a top perspective view of a third embodiment of a floor sweeping device;

FIG. 12 is a left side elevational view, the right side being a mirror image thereof;

FIG. 13 is a top plan view thereof;

FIG. 14 is a front elevational view thereof;

FIG. 15 is a rear elevational view thereof;

FIG. 16 is a top perspective view of the brush comb;

FIG. 17 is a top plan view thereof;

FIG. 18 is a rear elevational view thereof;

FIG. 19 is a front elevational view thereof;

FIG. 20 is a right side elevational view thereof;

FIG. 21 is a left side elevational view thereof;

FIG. 22 is a bottom plan view thereof;

FIG. 23 is a top perspective view of the brush comb mounted on the floor sweeper handle.

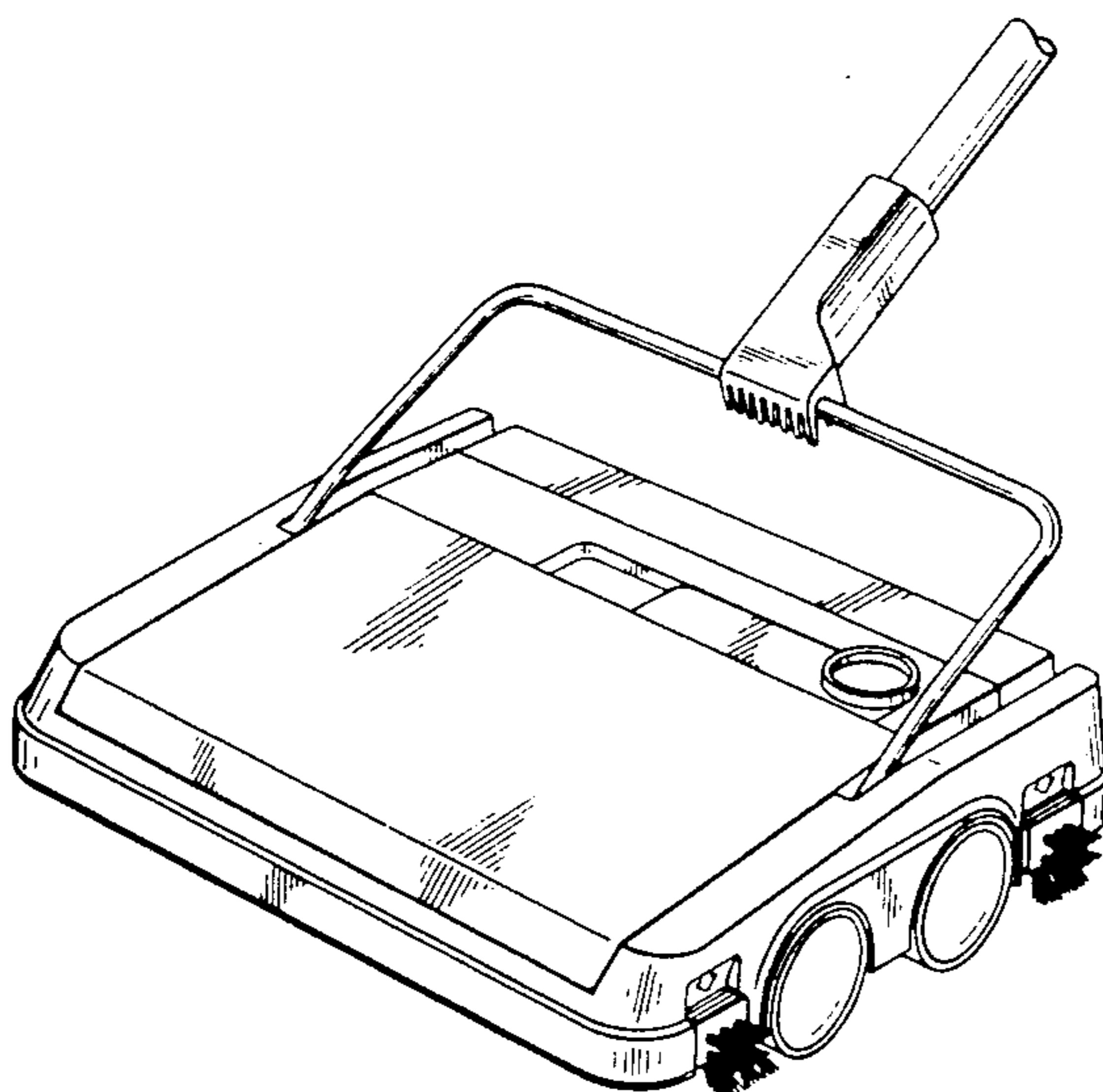
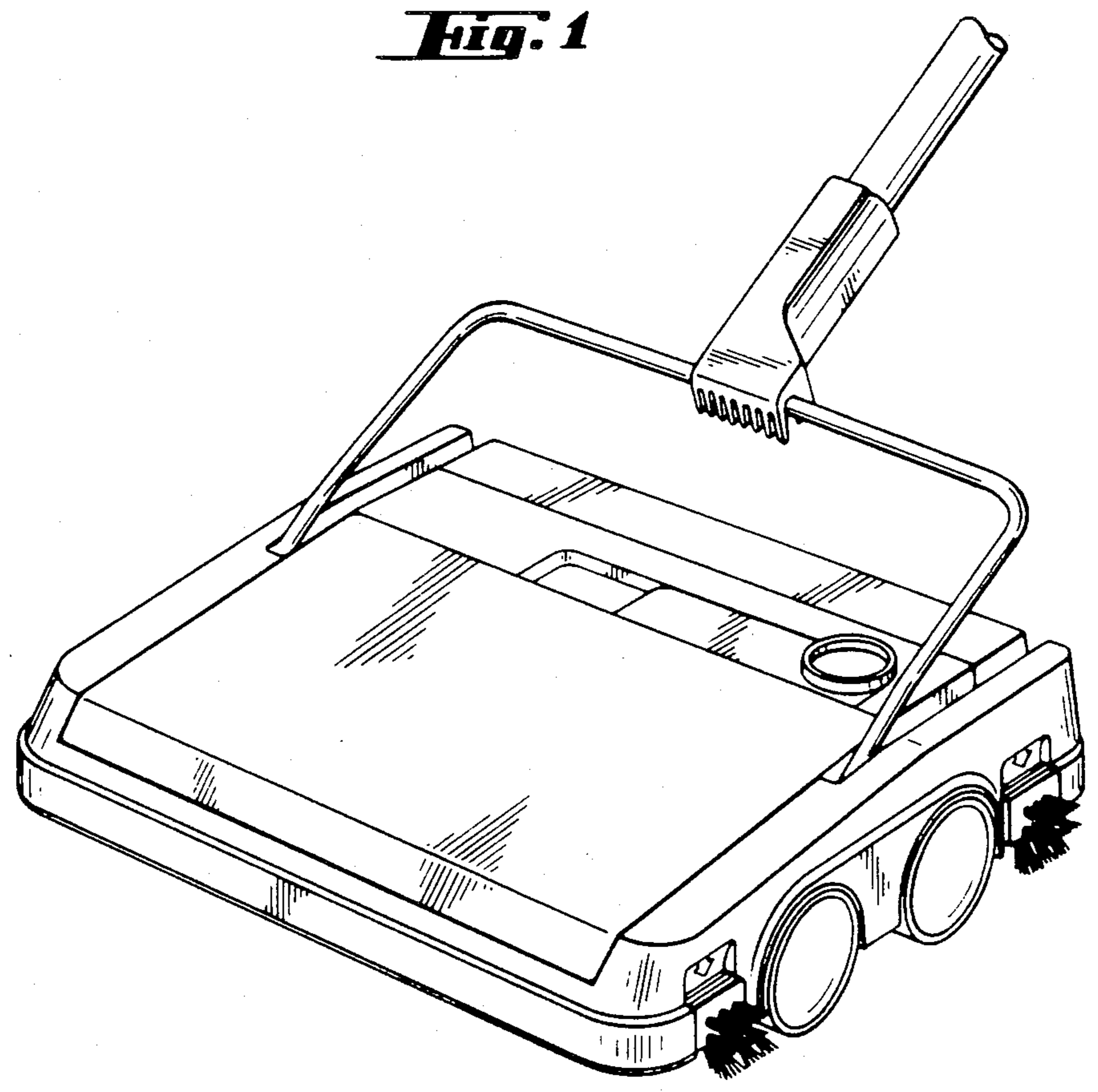


Fig. 1



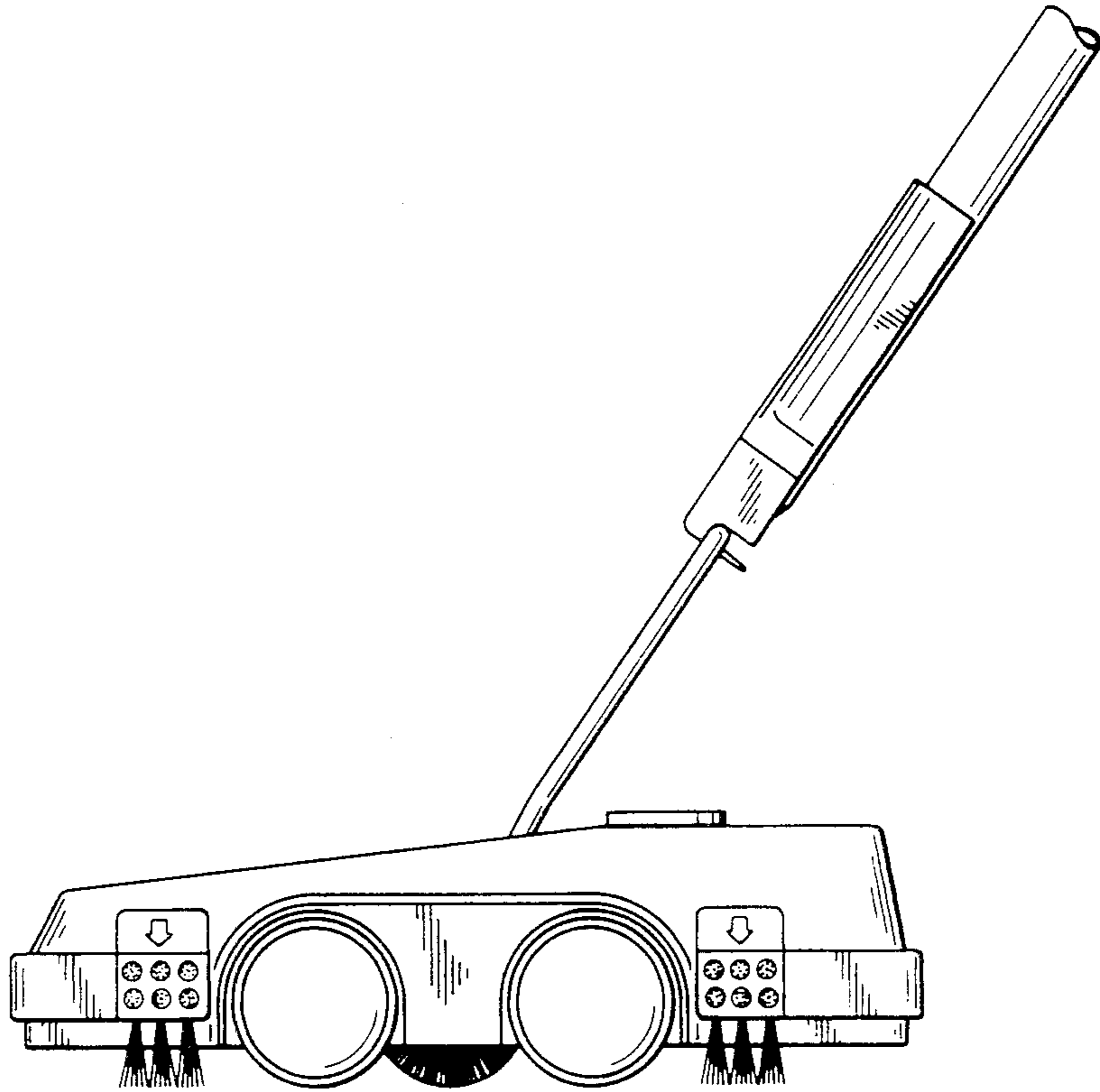


Fig. 2

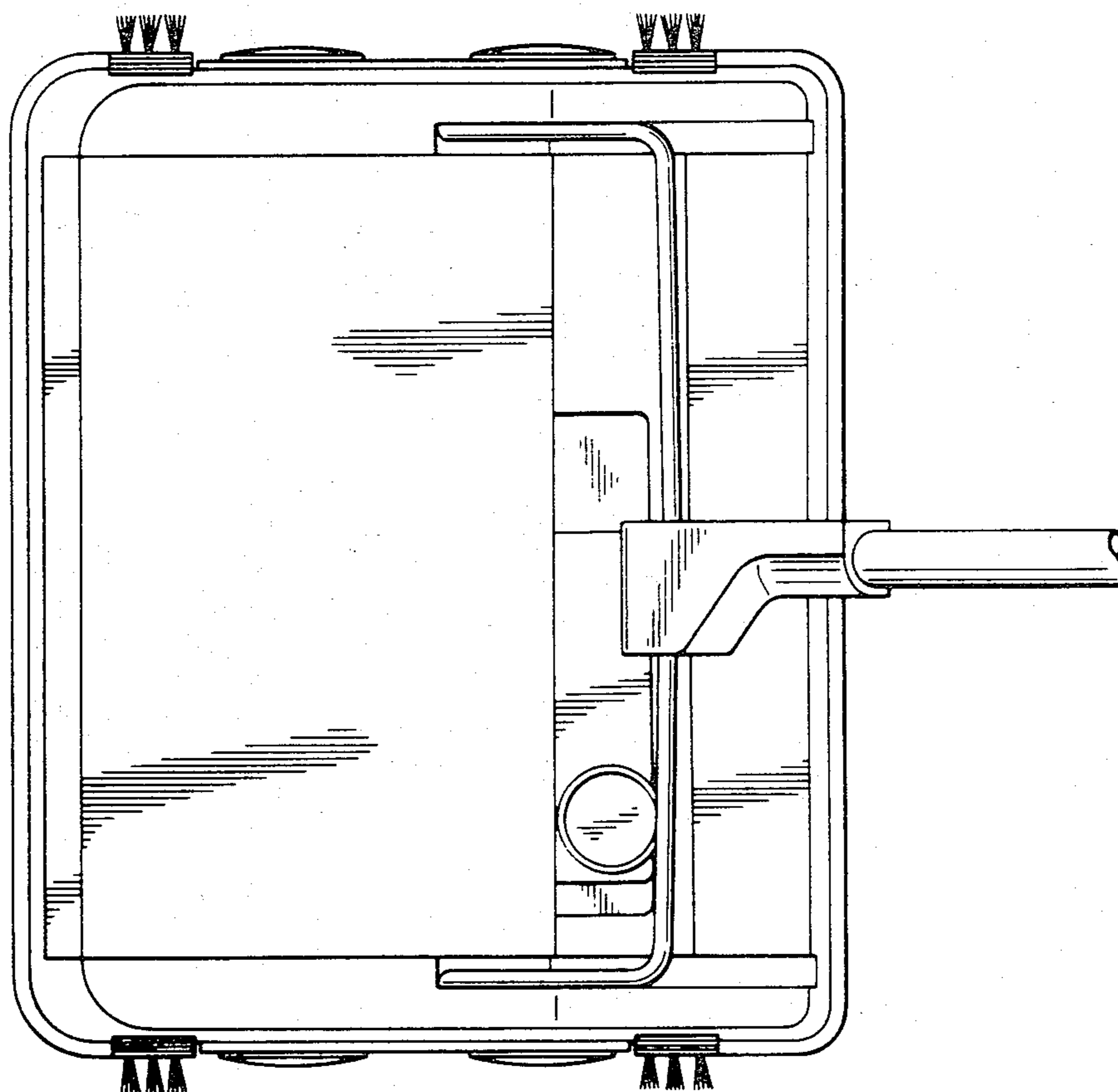


Fig. 3

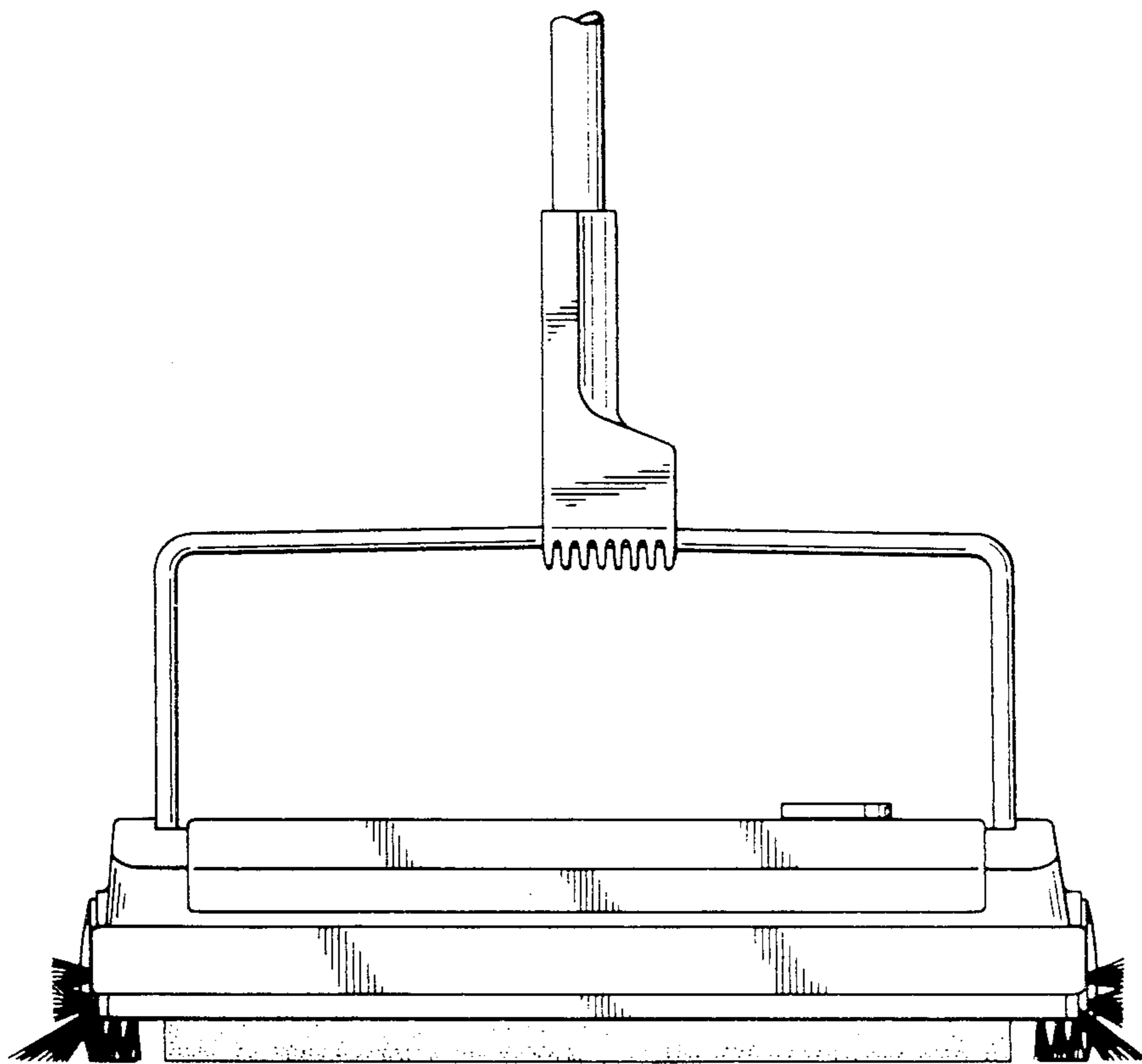


Fig. 4

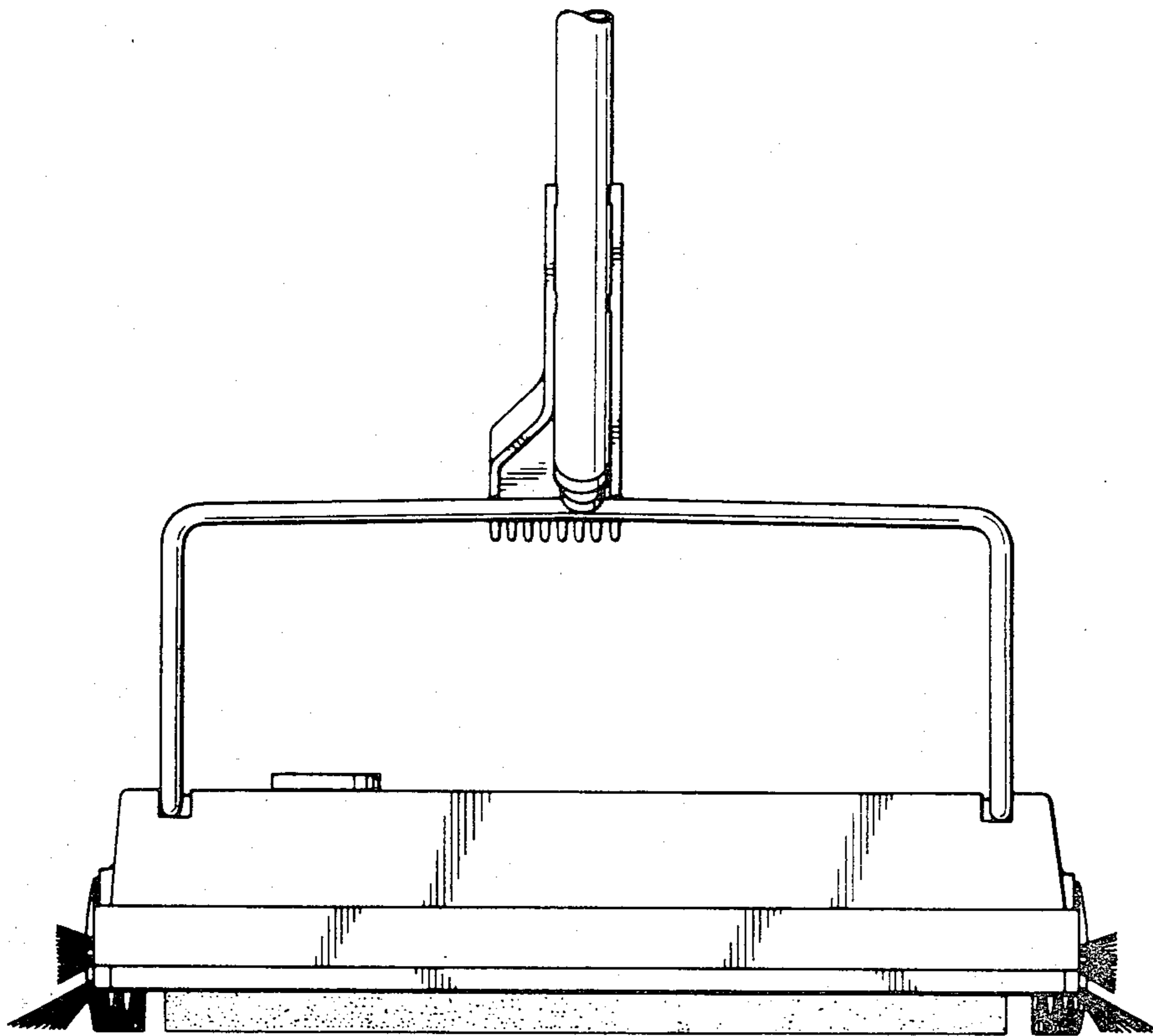
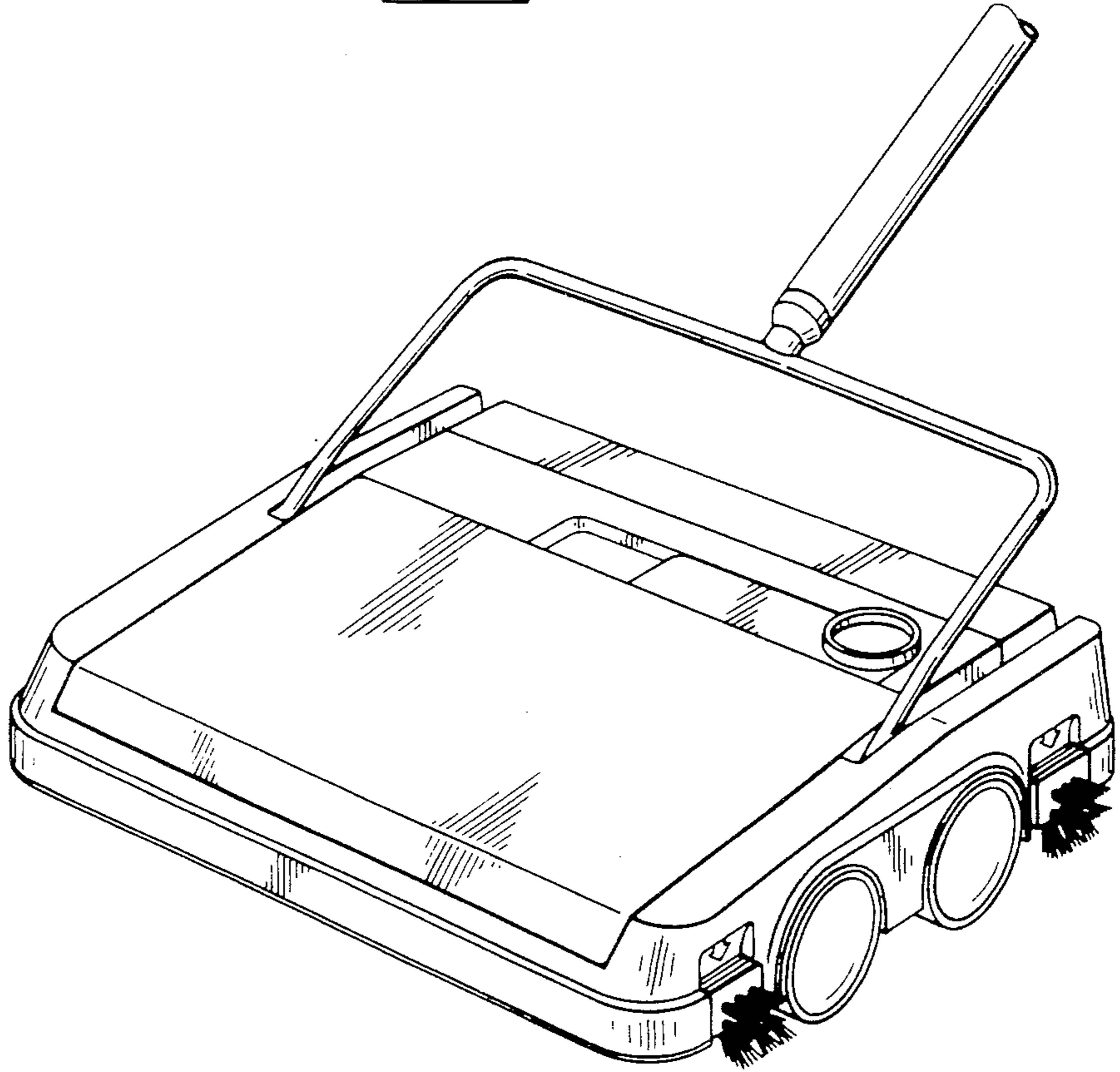


Fig. 5

Fig. 6



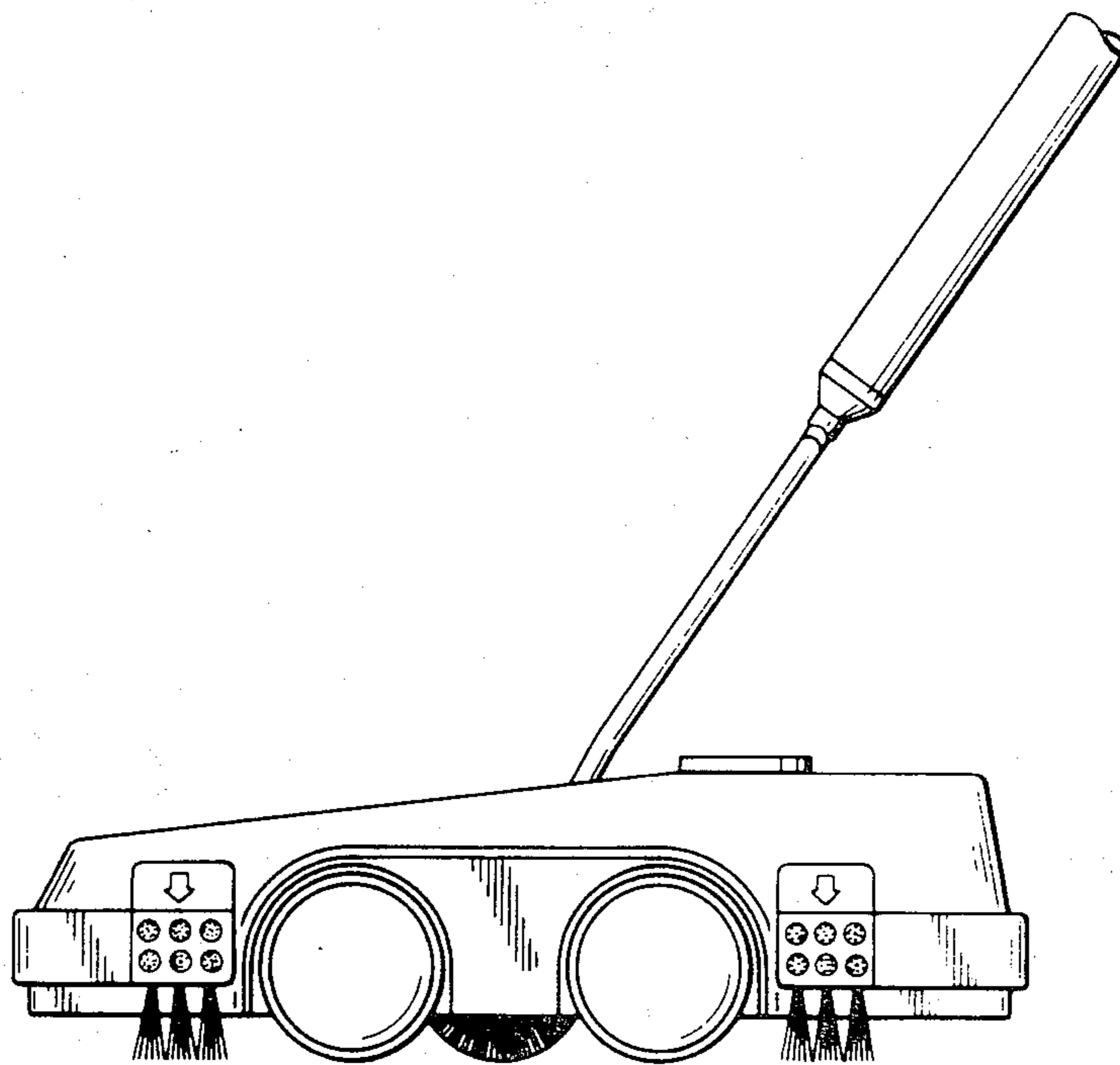


Fig. 7

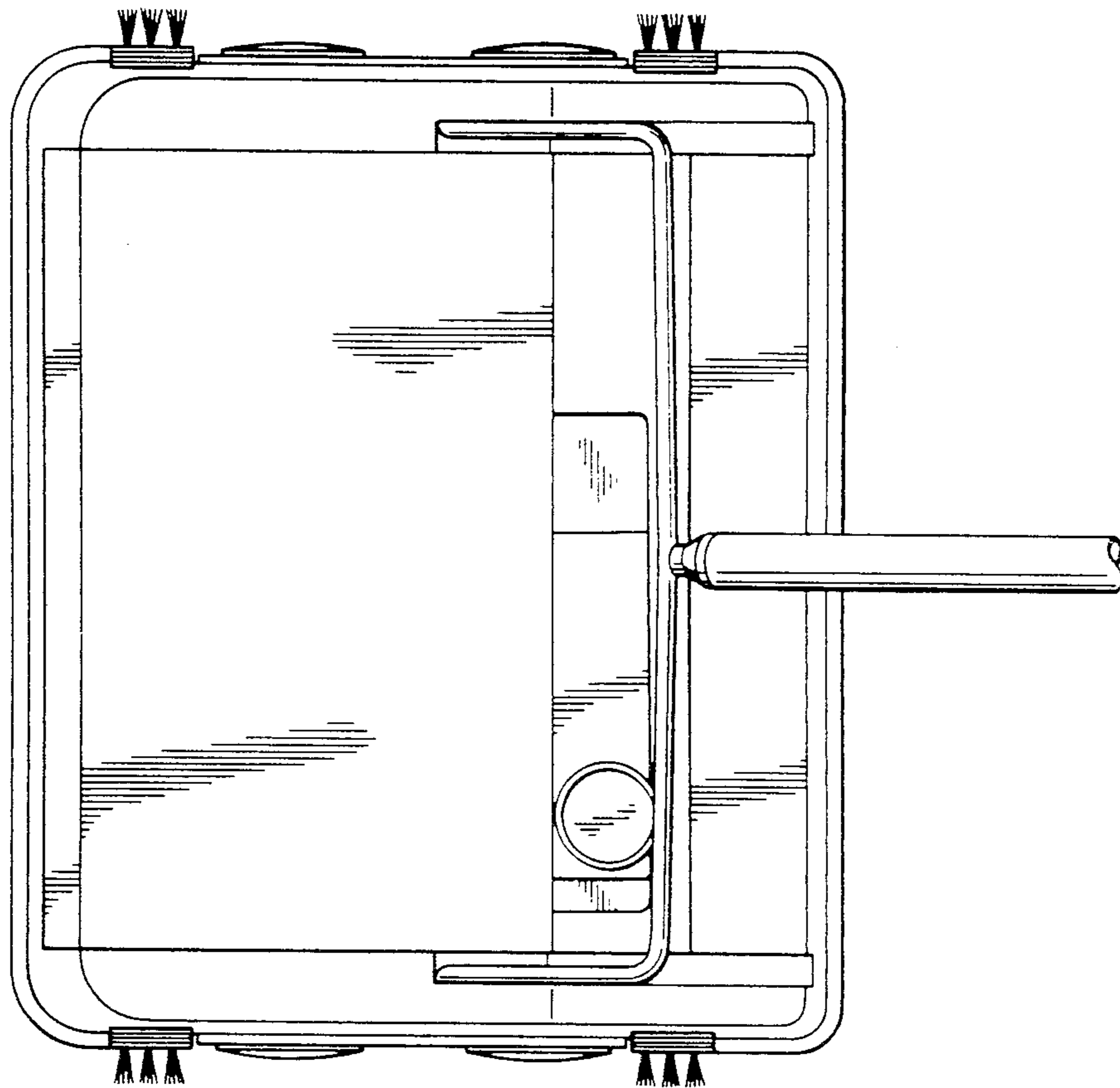


Fig. 8

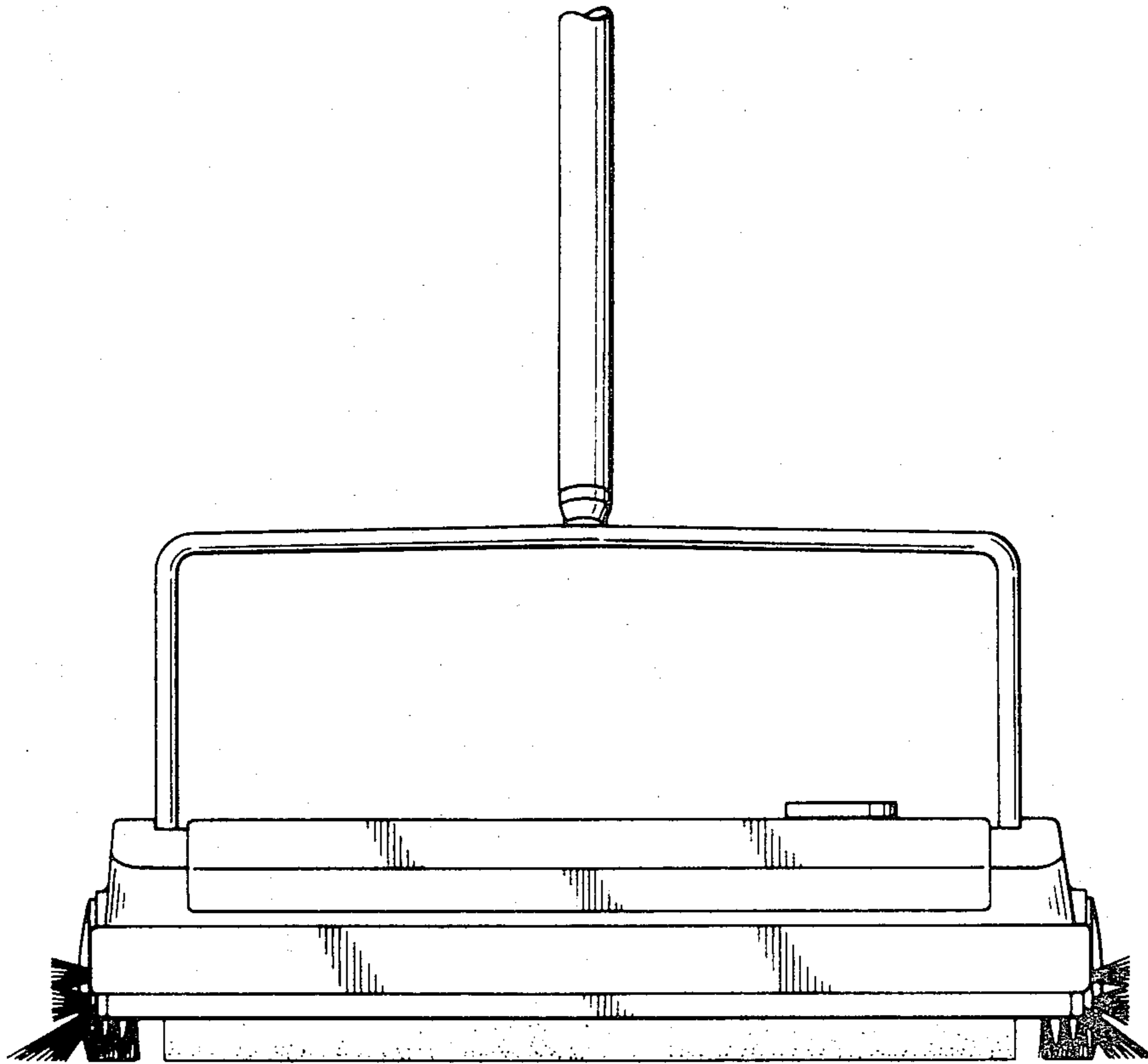


Fig. 9

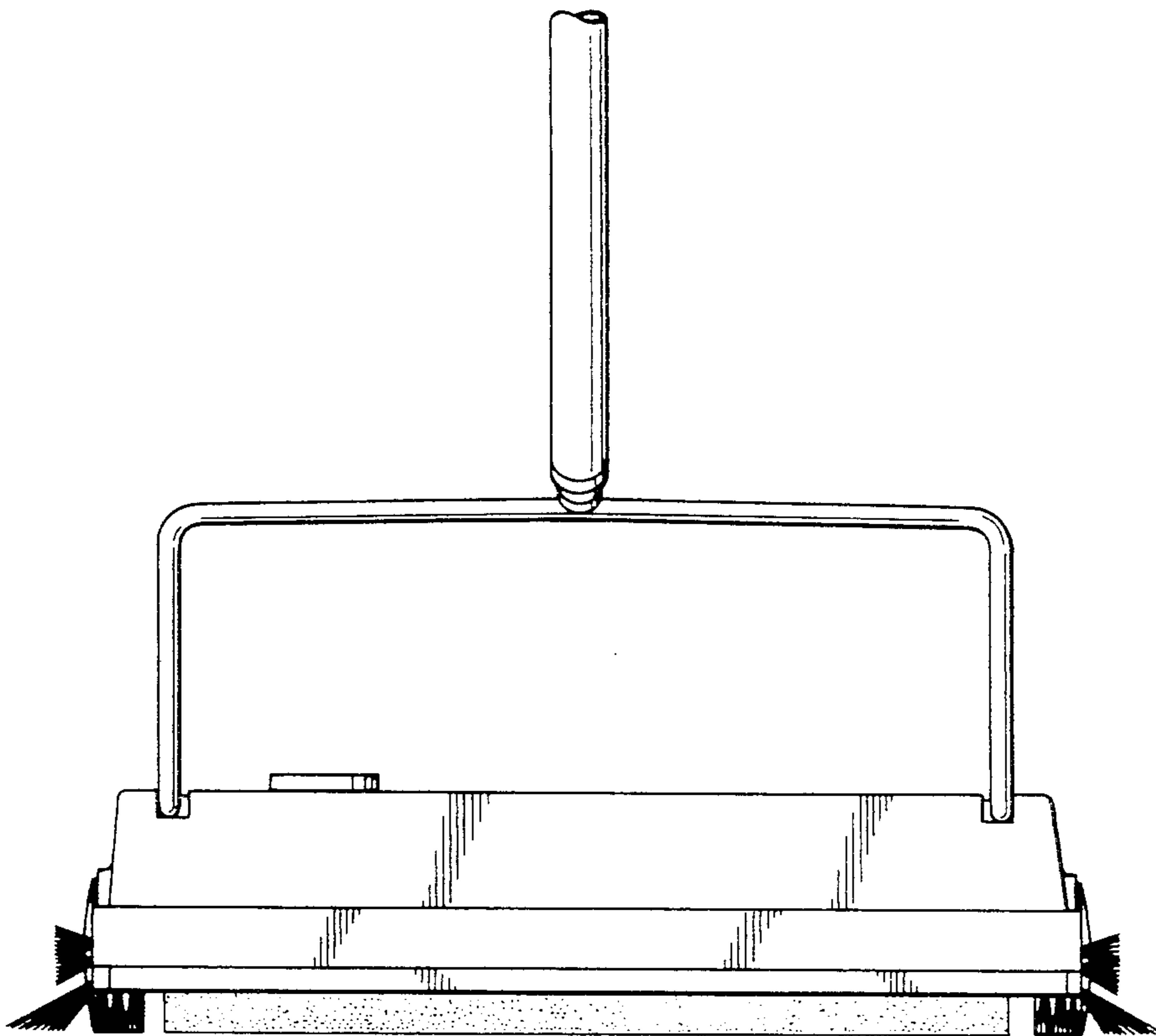
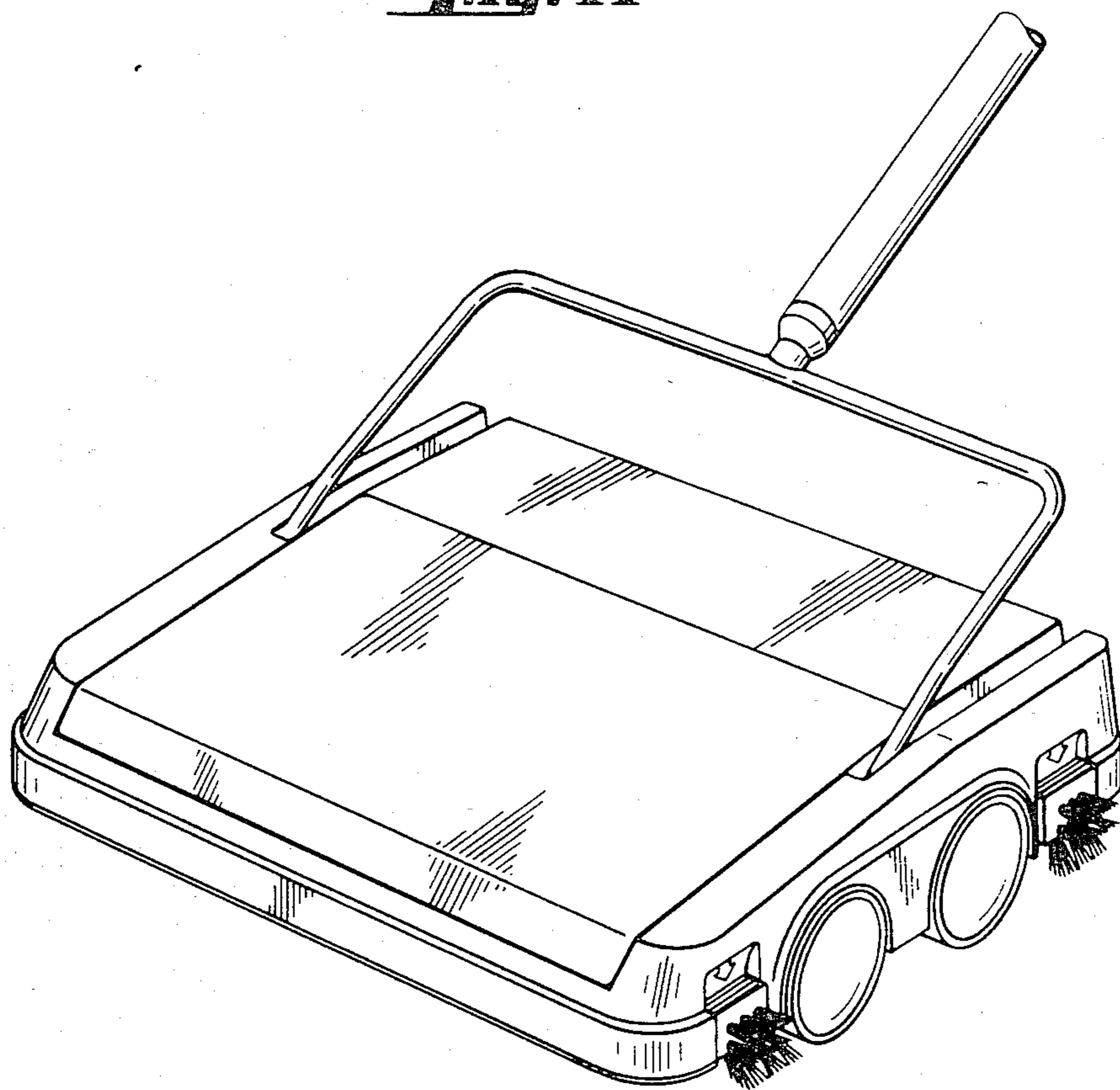


Fig. 10

Fig. 11



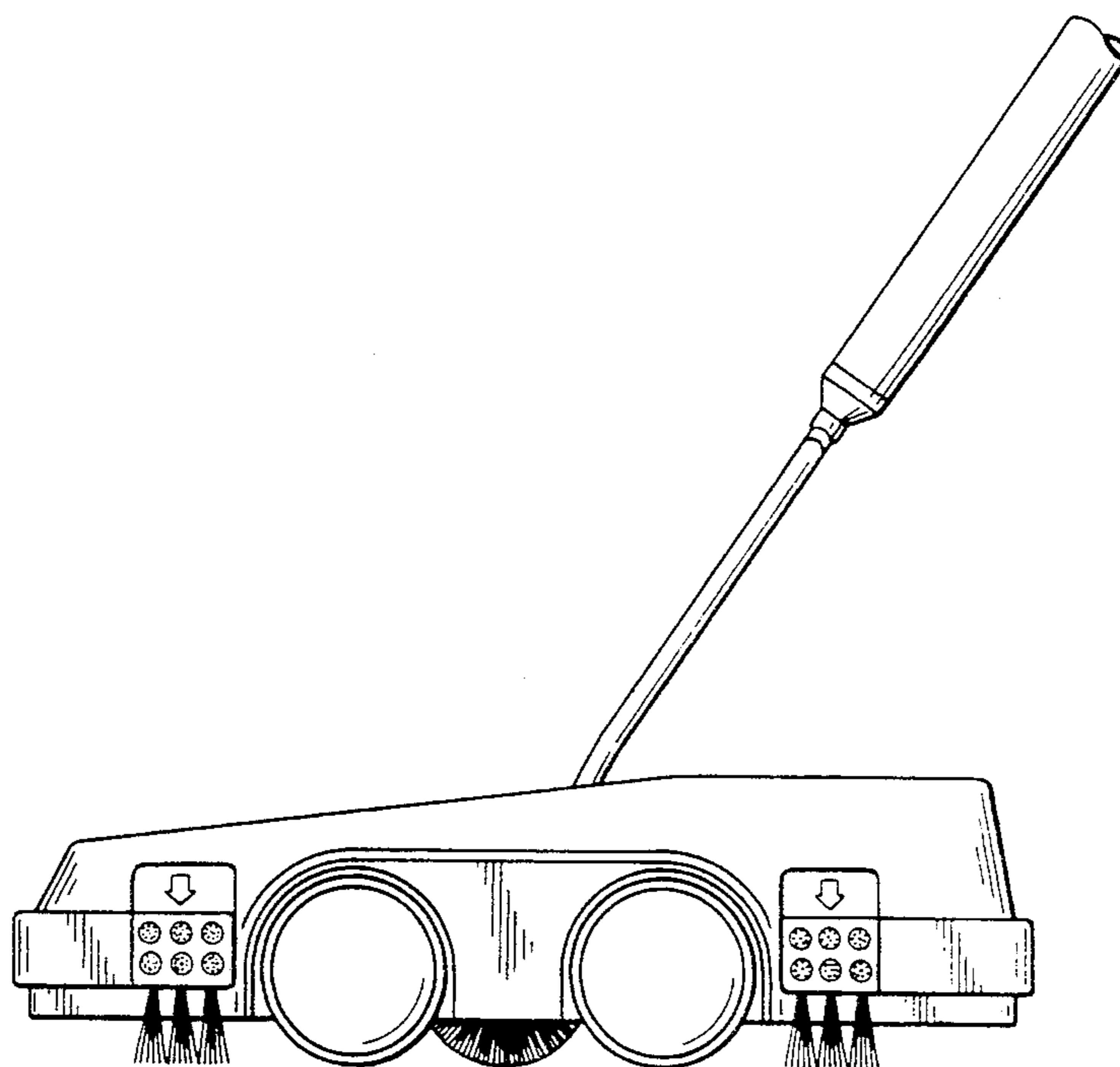


Fig. 12

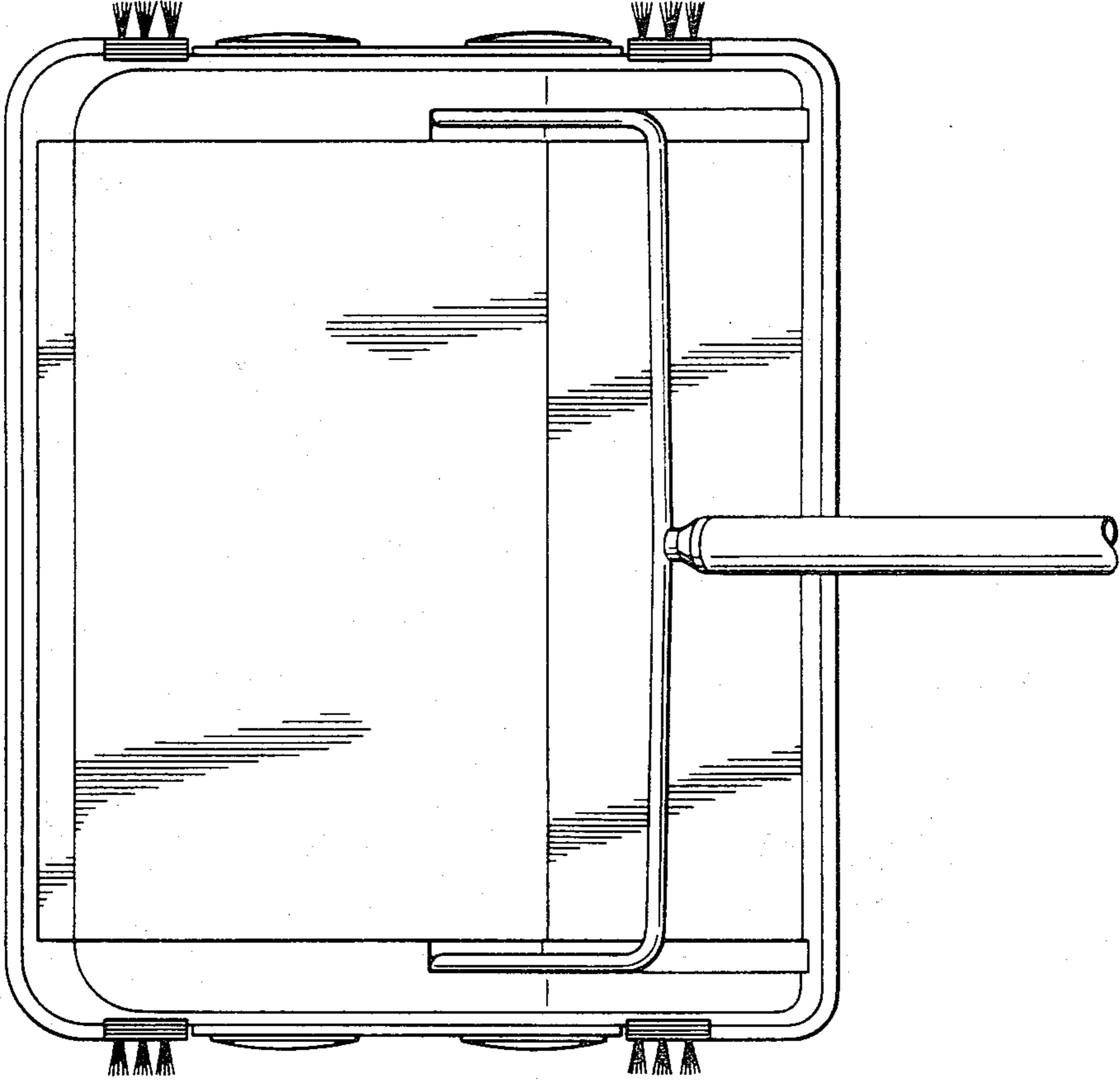


Fig. 13

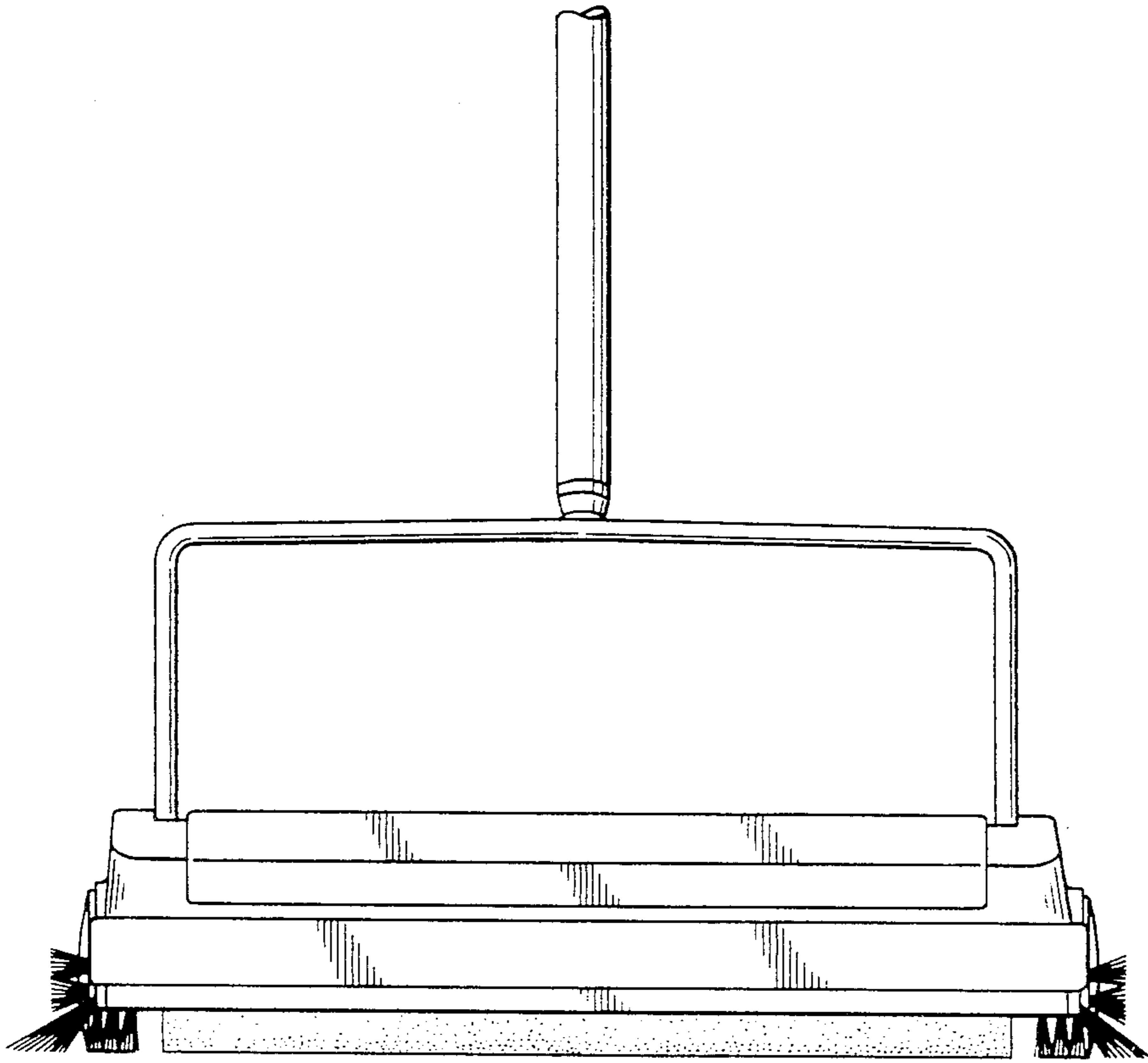


Fig. 14

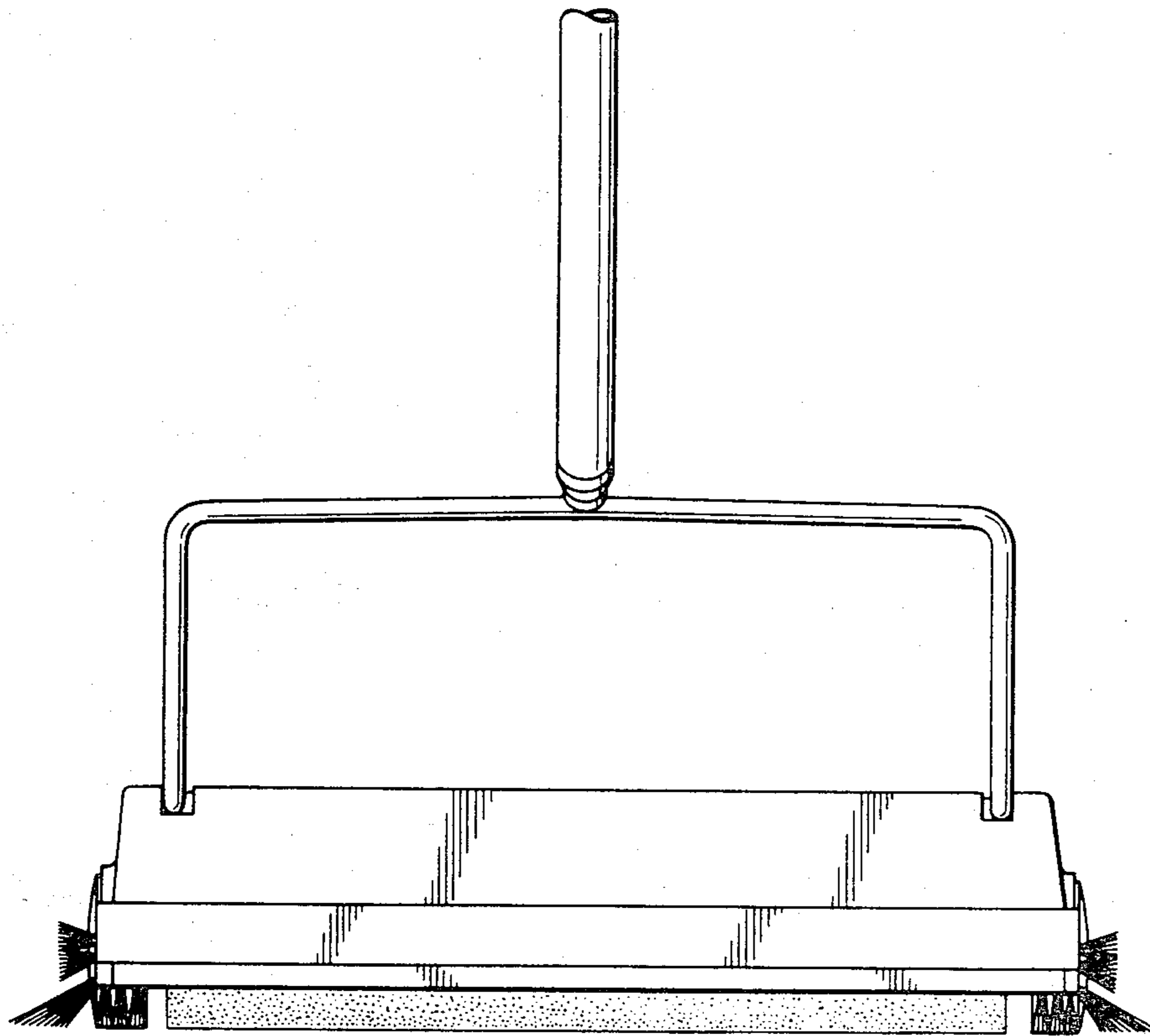


Fig. 15

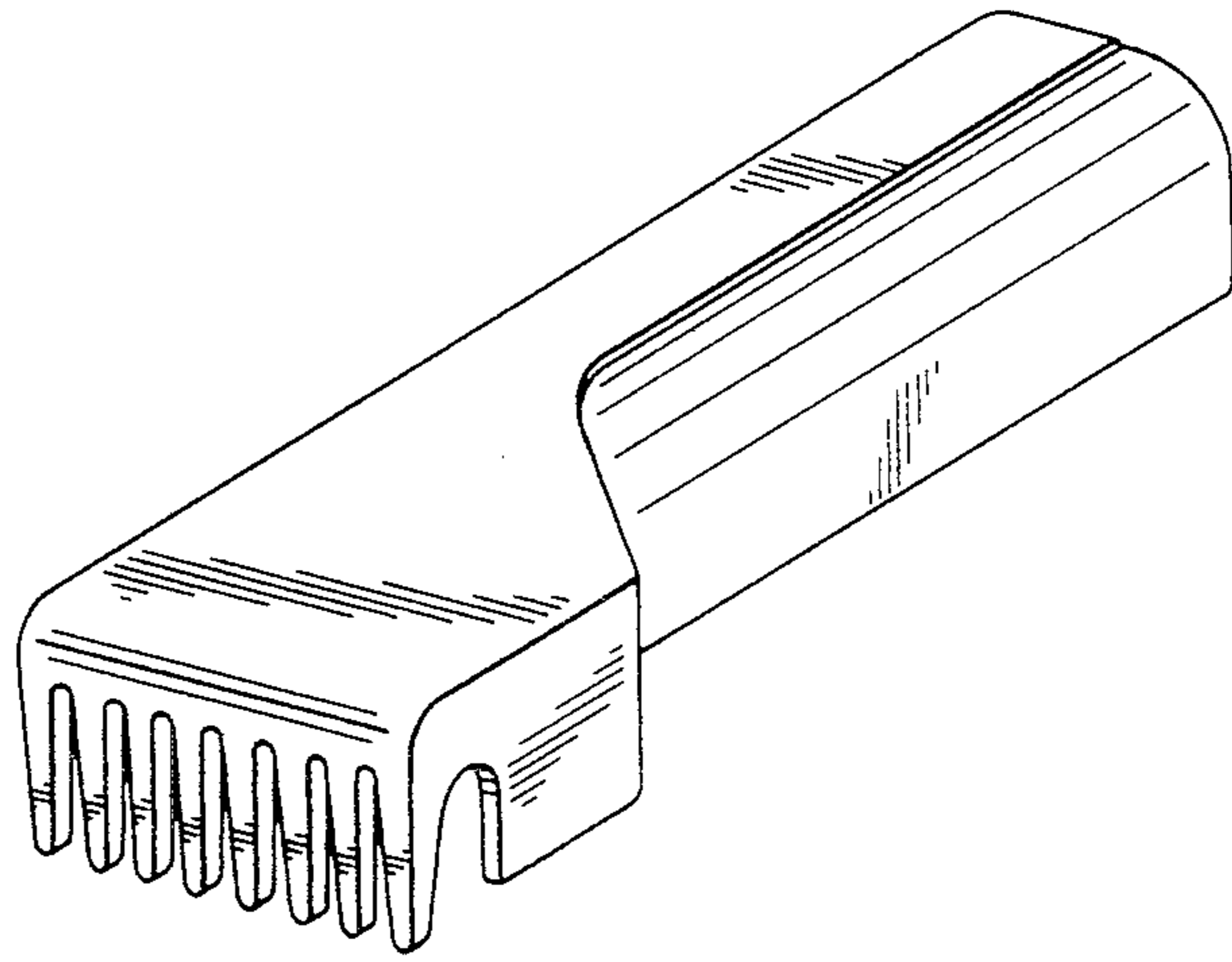


Fig. 16

Fig. 22

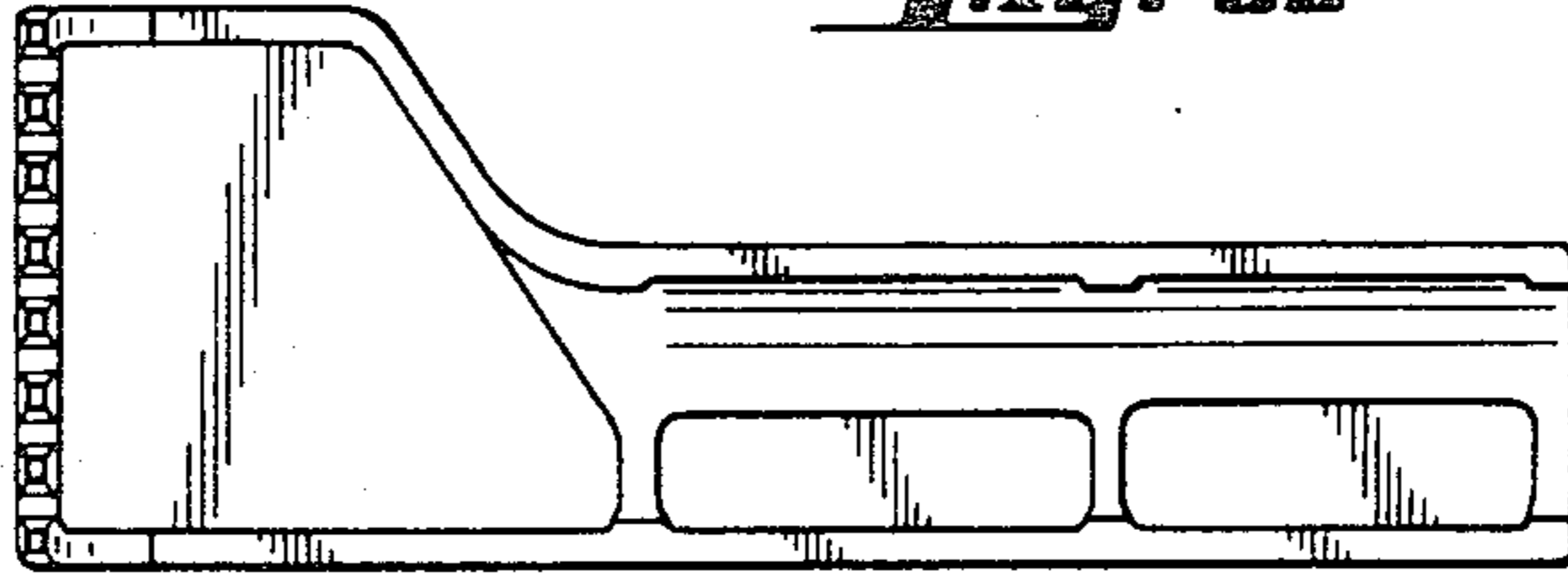


Fig. 21

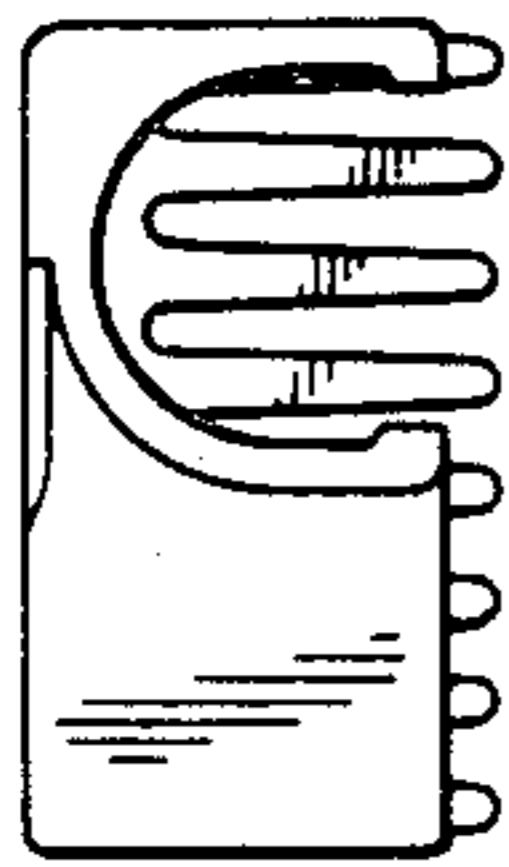
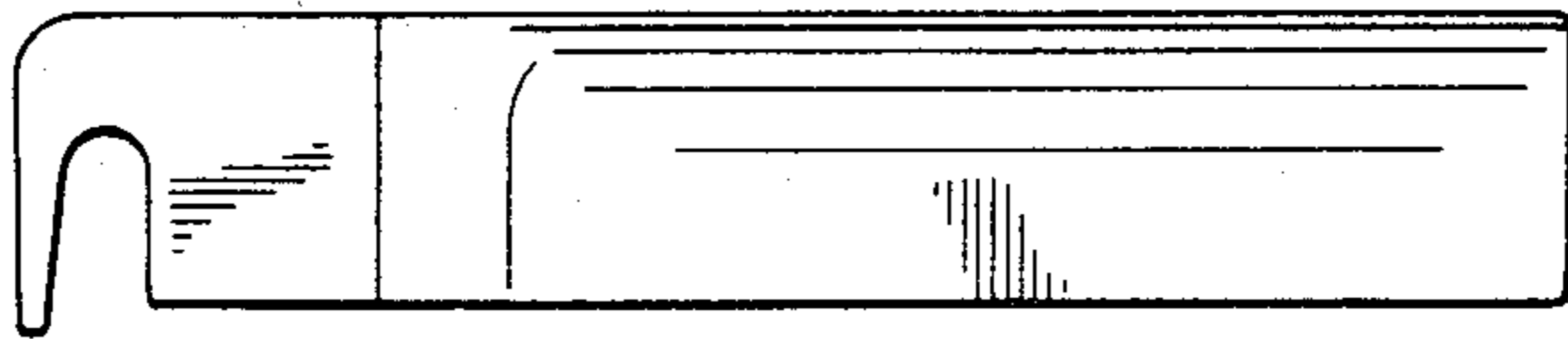


Fig. 18

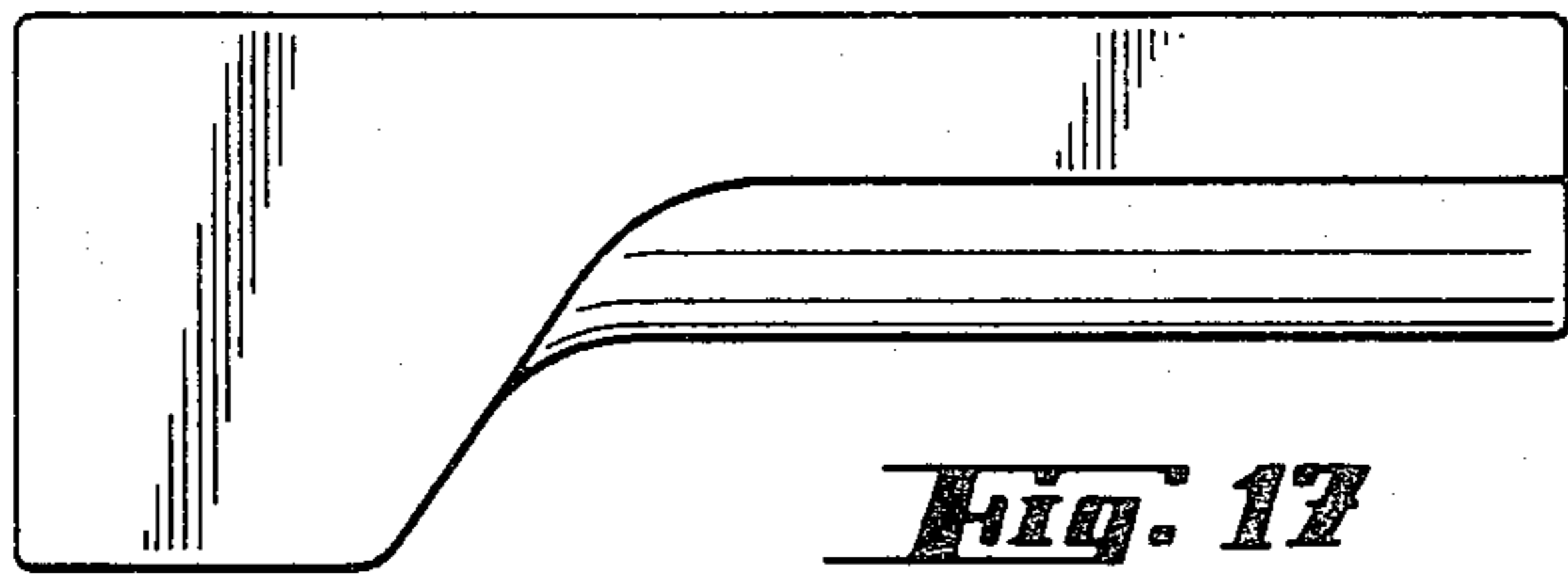


Fig. 17

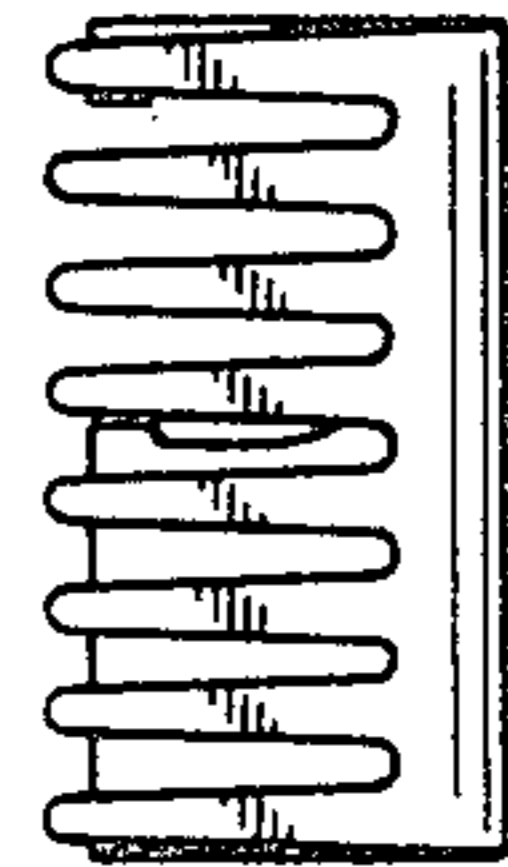


Fig. 19

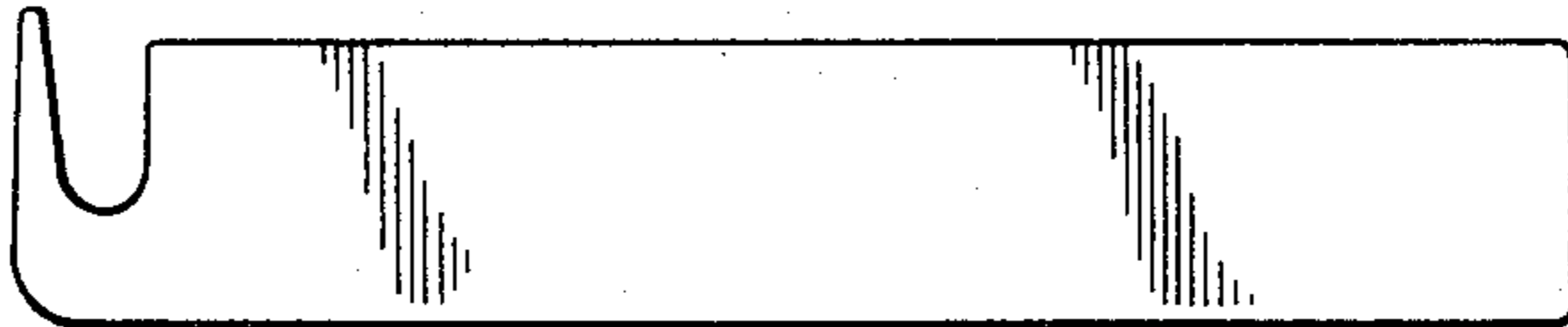


Fig. 20

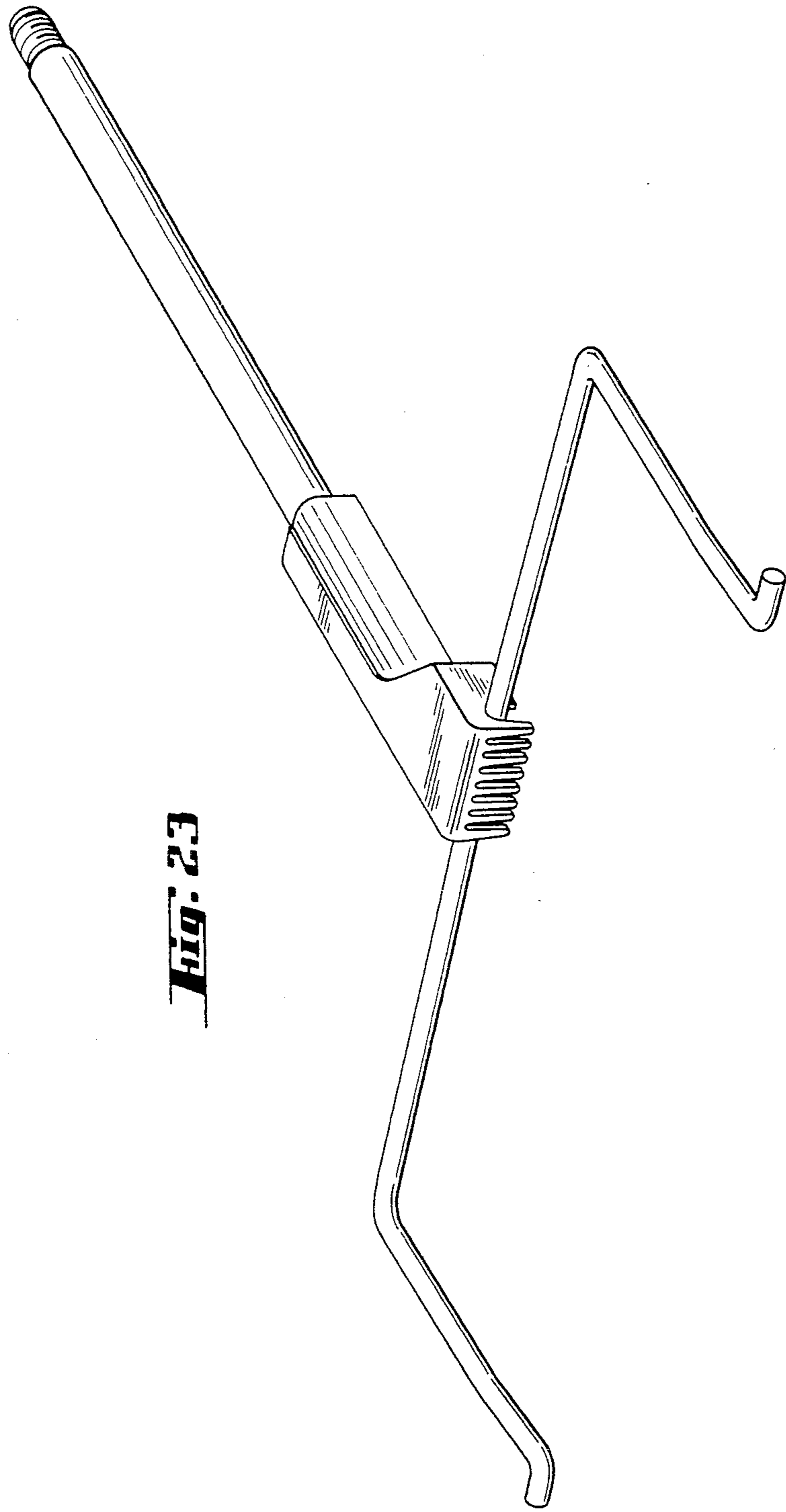


Fig. 23