

United States Patent [19]

Burkinshaw

[11] Patent Number: **Des. 283,446**

[45] Date of Patent: **** Apr. 15, 1986**

[54] EXTRUSION

[76] Inventor: **Phillip J. Burkinshaw**, 1-3 Little Charles St., Abbotsford, Victoria, 3067, Australia

[**] Term: **14 Years**

[21] Appl. No.: **512,036**

[22] Filed: **Jul. 8, 1983**

[52] U.S. Cl. **D25/74**

[58] Field of Search **D25/73-76;**
49/63, 404, 501, 504; 52/202; 160/90

[56] **References Cited**

U.S. PATENT DOCUMENTS

D. 228,453 9/1973 Greer D25/74
D. 270,765 9/1983 Kenin D25/74
3,974,616 8/1976 Beckley D25/74 X

Primary Examiner—A. Hugo Word

Attorney, Agent, or Firm—Scully, Scott, Murphy & Presser

[57] **CLAIM**

The ornamental design for an extrusion, as shown and described.

DESCRIPTION

FIG. 1 is a perspective view from above the extrusion, FIG. 2 is a cross-sectional view of the extrusion, and FIG. 3 is a perspective view from below the extrusion.

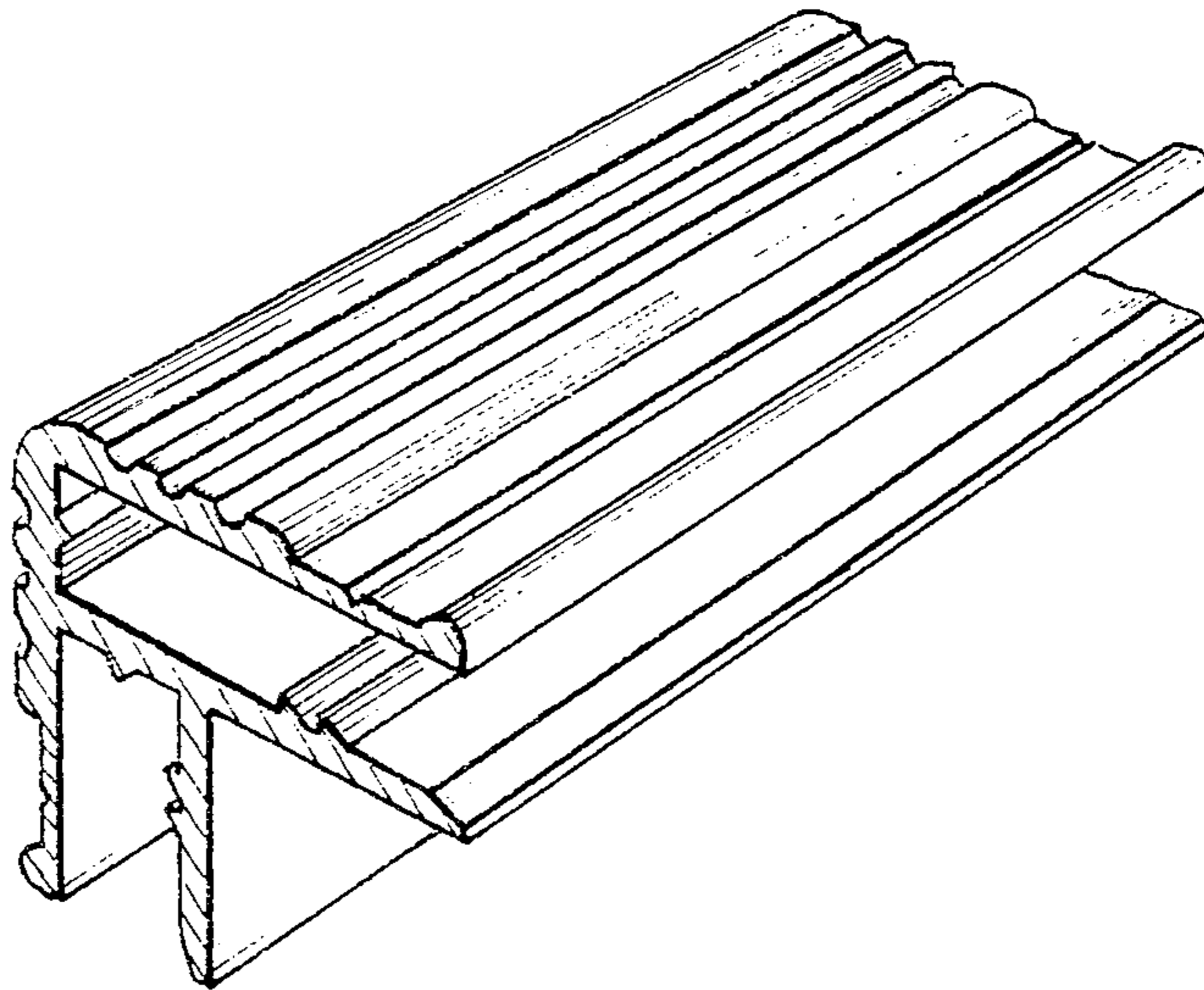


FIG. 1.

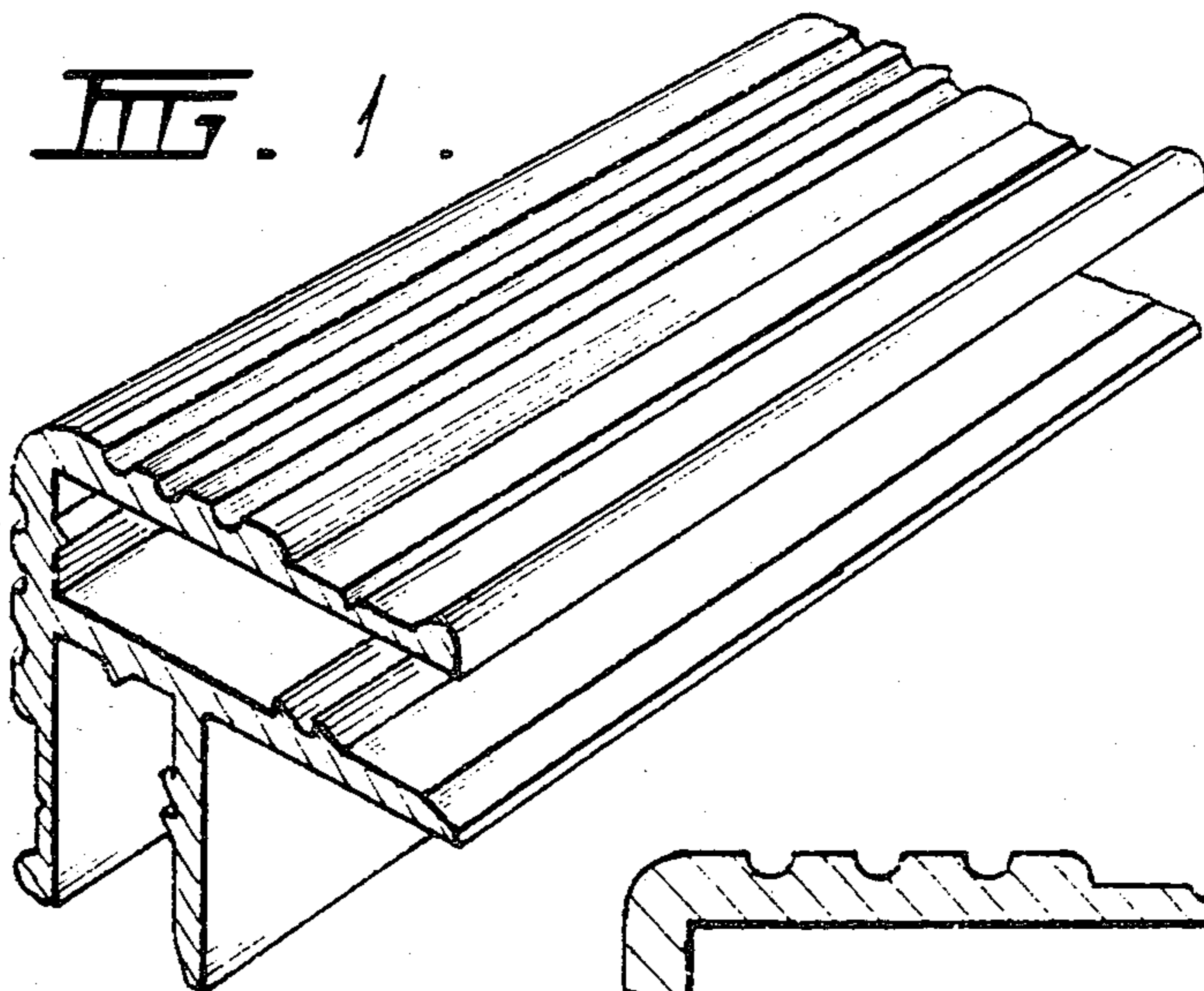


FIG. 2.

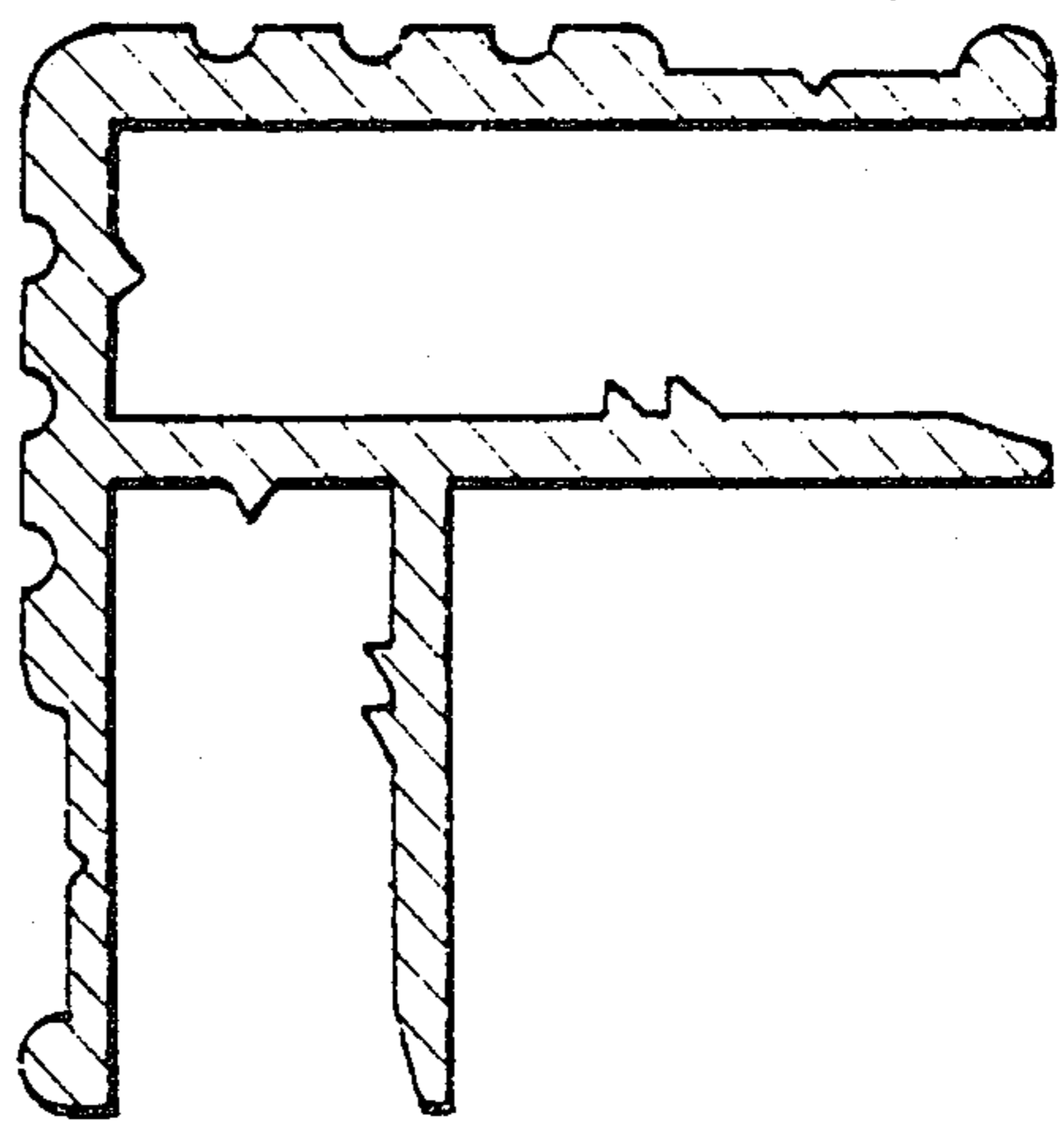


FIG. 3.

