

United States Patent [19]

Allard

[11] Patent Number: **Des. 283,445**

[45] Date of Patent: **** Apr. 15, 1986**

[54] SAFETY CHANNEL FOR AN ESCALATOR
SIDE WALL

[75] Inventor: **David B. Allard**, Bristol, England

[73] Assignee: **Kleeneze Industrial Ltd.**, Bristol,
England

[**] Term: **14 Years**

[21] Appl. No.: **543,650**

[22] Filed: **Oct. 19, 1983**

[52] U.S. Cl. **D25/73; D25/38;**
D25/68

[58] Field of Search **D34/30, 28, 29;**
198/321, 325, 323; D25/68, 69, 73-77

[56] **References Cited**

U.S. PATENT DOCUMENTS

D. 215,148 9/1969 Bewyer D25/75
4,236,623 12/1980 Ackert 198/325 X
4,295,556 10/1981 Saito et al. 198/325

FOREIGN PATENT DOCUMENTS

2069438 8/1981 United Kingdom .

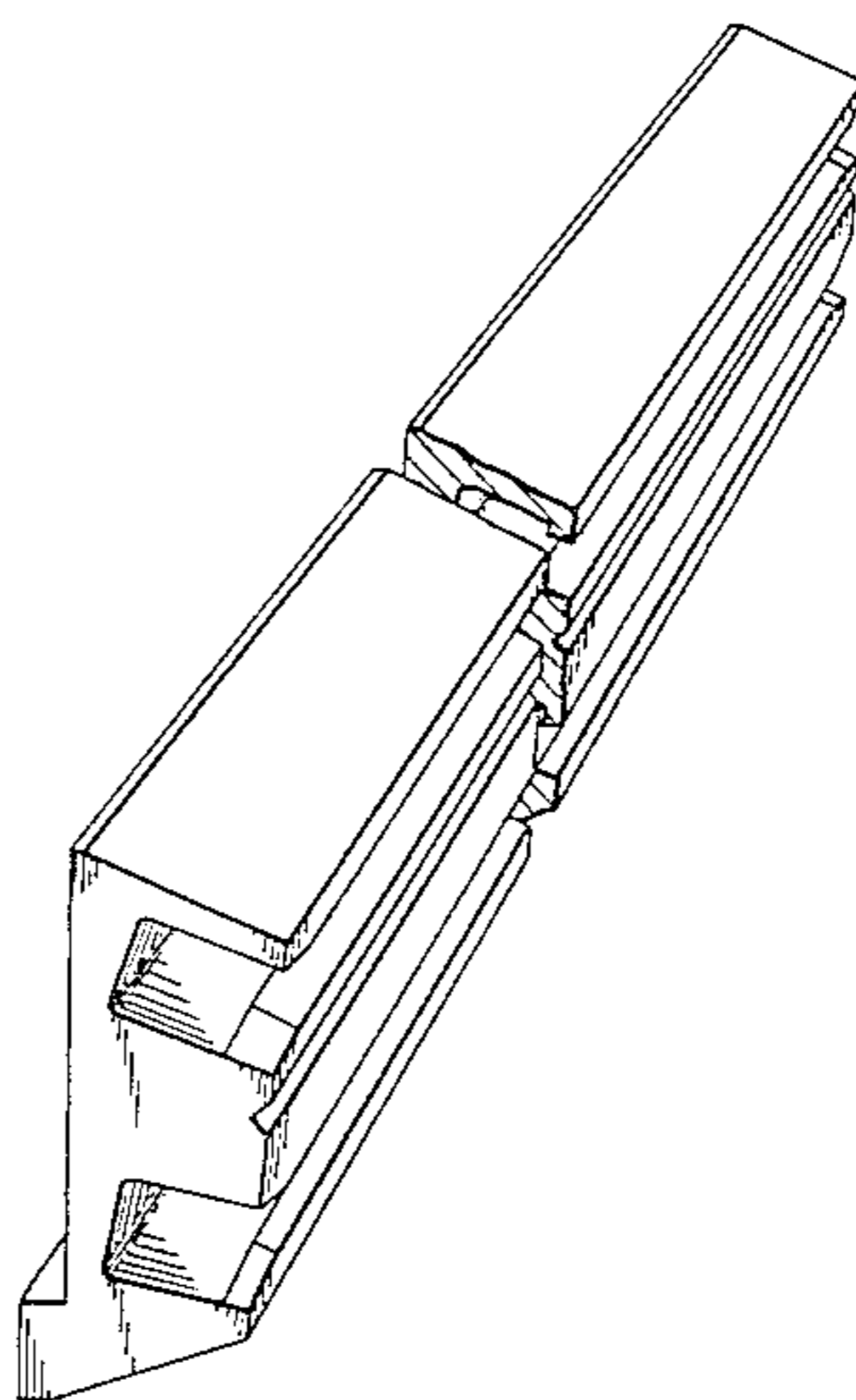
Primary Examiner—A. Hugo Word
Attorney, Agent, or Firm—Edwin E. Greigg

[57] **CLAIM**

The ornamental design for a safety channel for an escalator side wall, as shown.

DESCRIPTION

FIG. 1 is a perspective view of a safety channel for an escalator side wall showing my new design; FIG. 2 is a cross-sectional view thereof; and FIG. 3 is a front elevational view thereof.



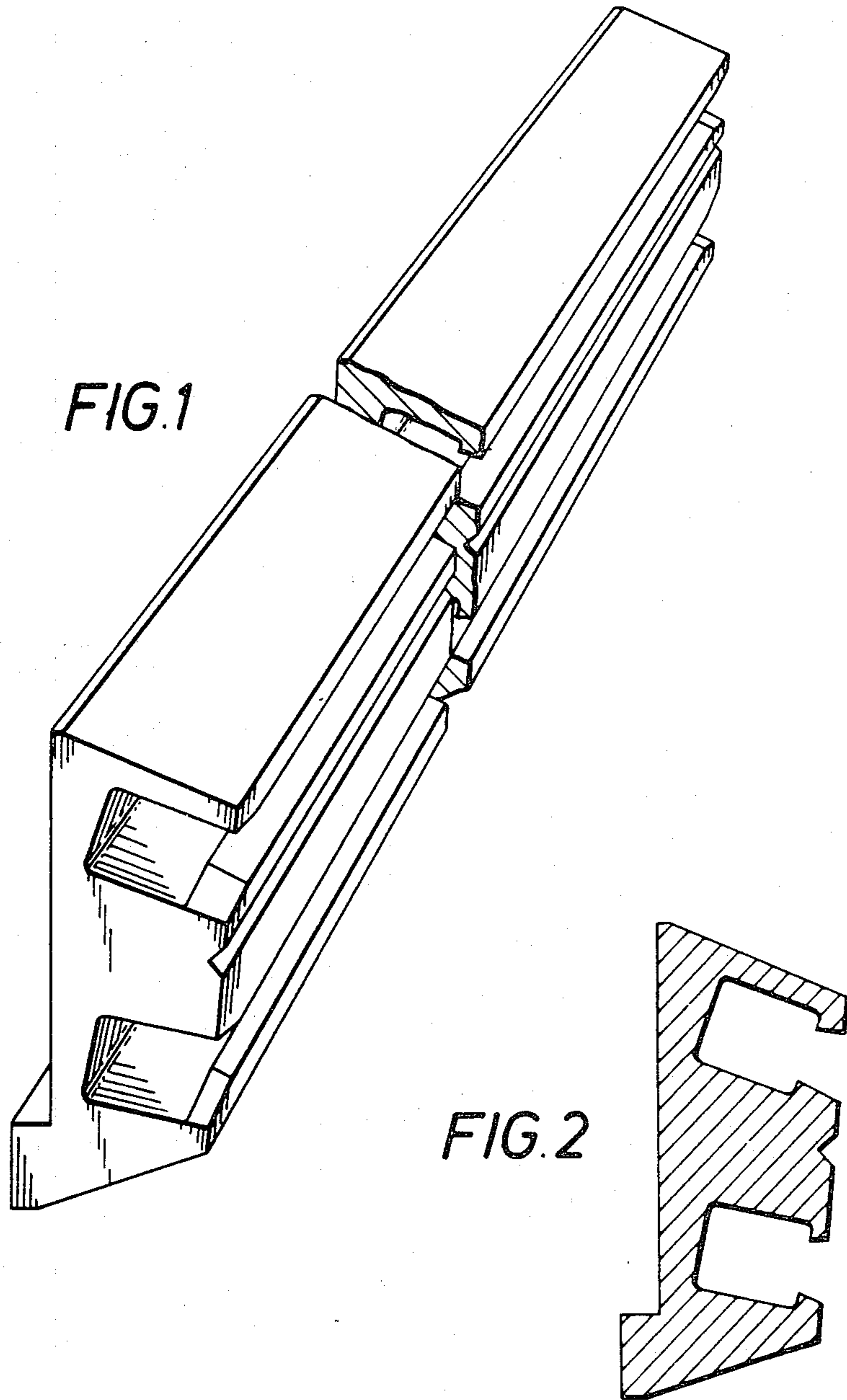


FIG. 3

