

[54] **SAFETY CHANNEL FOR AN ESCALATOR SIDE WALL**

[75] **Inventor: David B. Allard, Bristol, England**

[73] **Assignee: Kleeneze Industrial Ltd., Bristol, England**

[**] **Term: 14 Years**

[21] **Appl. No.: 543,651**

[22] **Filed: Oct. 19, 1983**

[52] **U.S. Cl. D25/73; D25/38; D25/68**

[58] **Field of Search D34/30, 28, 29; 198/321, 325, 323; D25/68, 69, 73-77**

[56] **References Cited**

U.S. PATENT DOCUMENTS

D. 215,148 9/1969 Bewyer D25/75
4,236,623 12/1980 Ackert 198/325 X
4,295,556 10/1981 Saito et al. 198/325

FOREIGN PATENT DOCUMENTS

2069438 8/1981 United Kingdom .

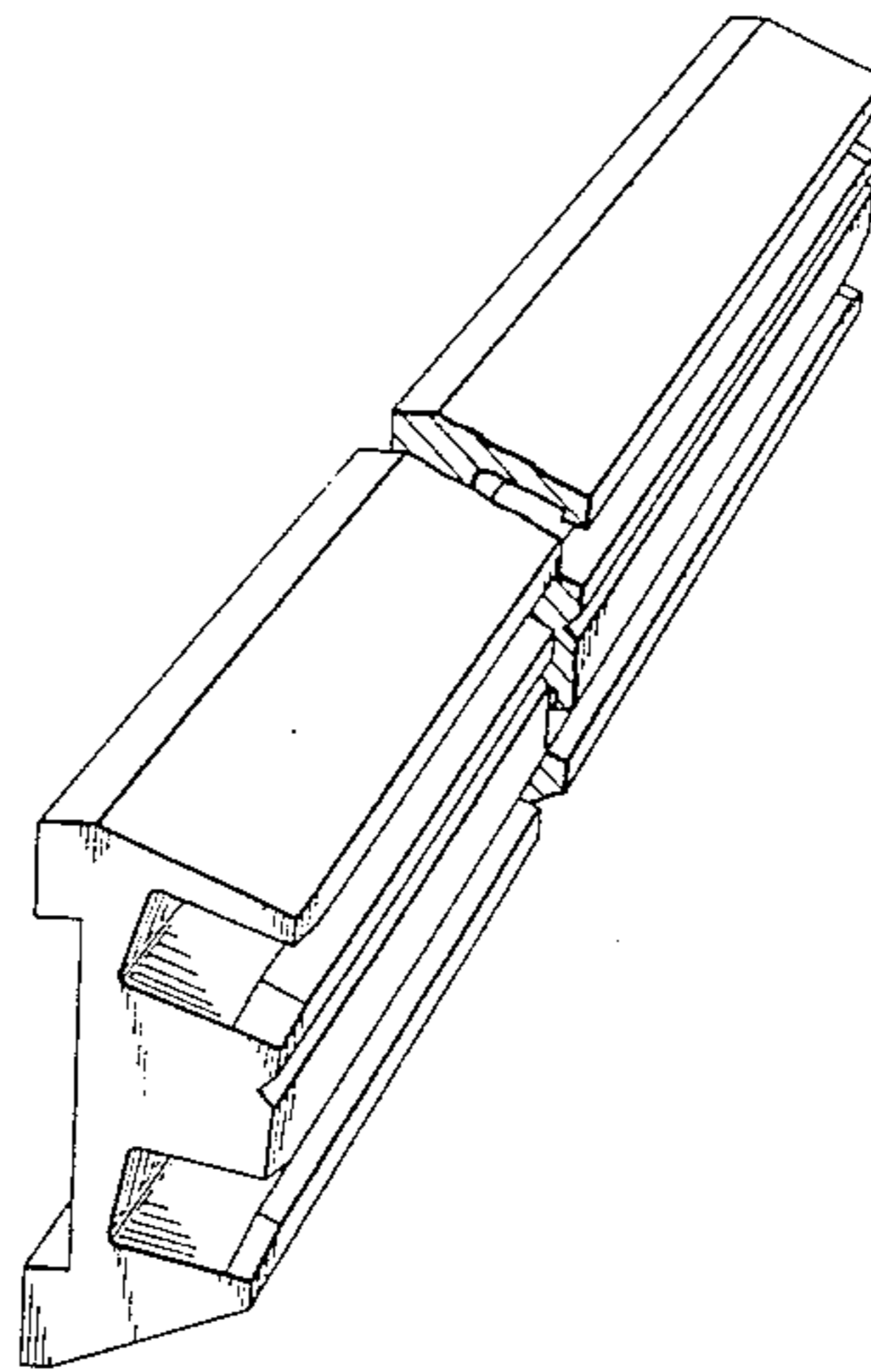
Primary Examiner—A. Hugo Word
Attorney, Agent, or Firm—Edwin E. Greigg

[57] **CLAIM**

The ornamental design for a safety channel for an escalator side wall, as shown.

DESCRIPTION

FIG. 1 is a perspective view of a safety channel for an escalator side wall showing my new design; FIG. 2 is a cross-sectional view thereof; and FIG. 3 is a front elevational view thereof.



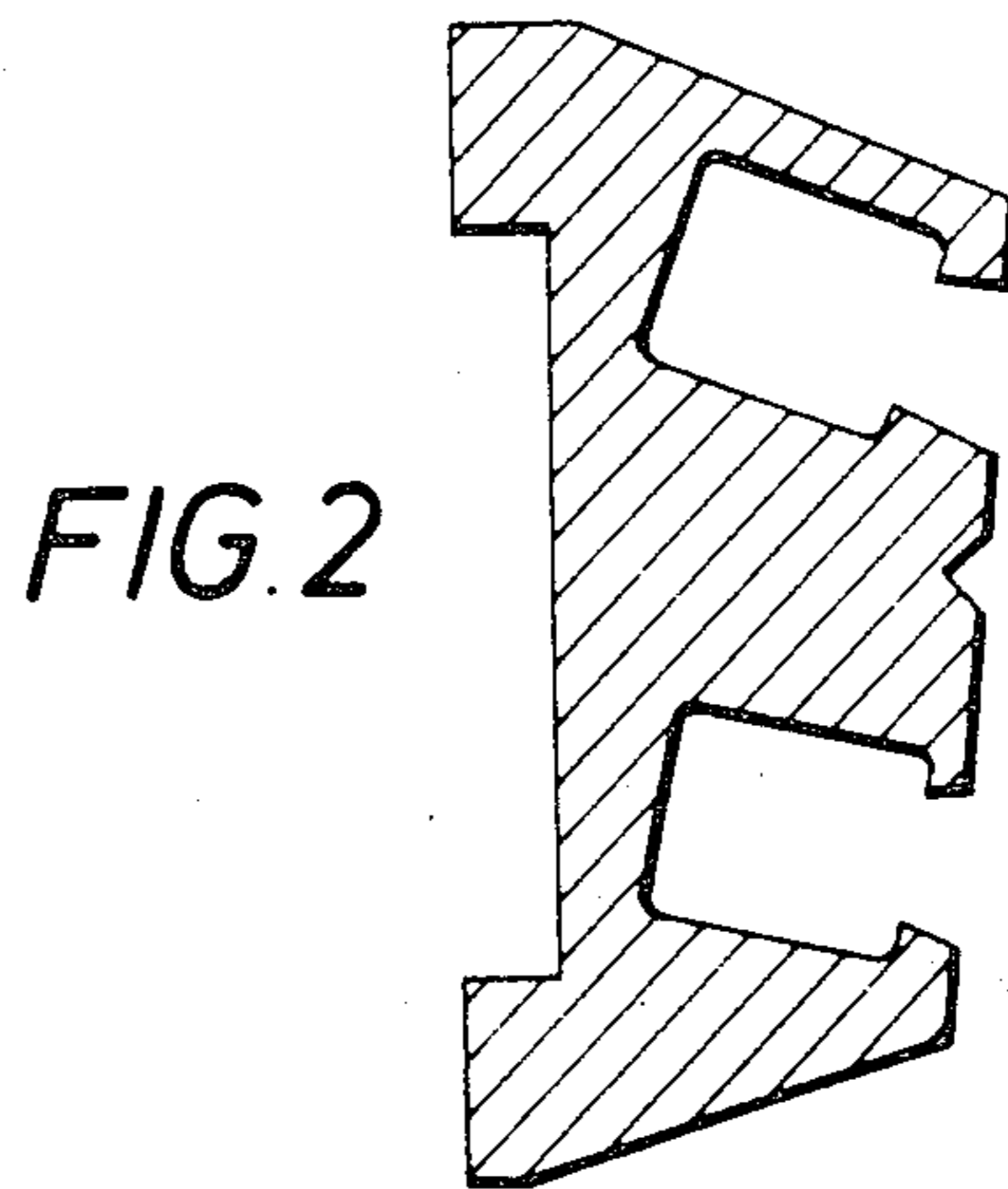
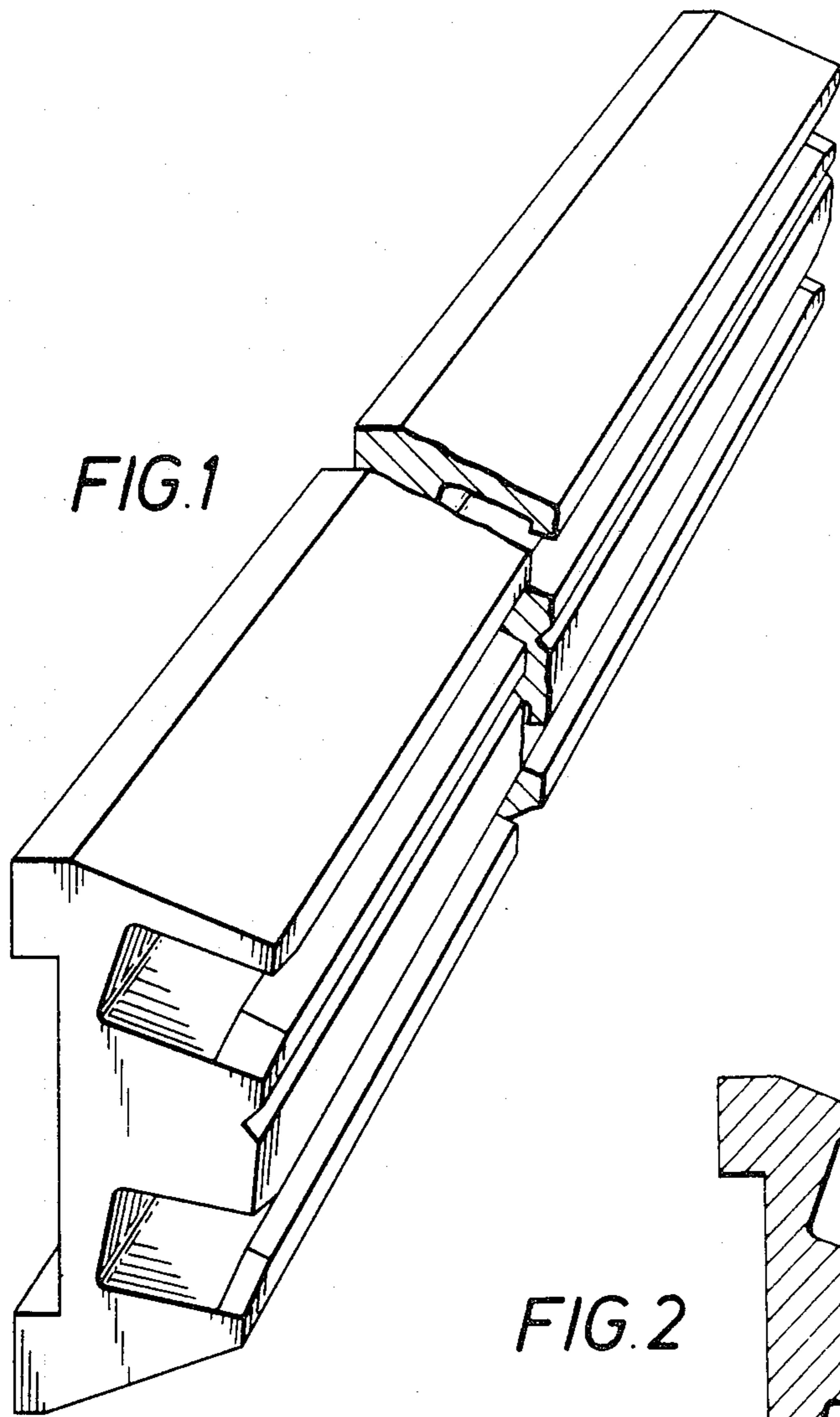


FIG. 3

