

[54] **HEATING DEVICE**

[75] **Inventor: Pierre Sobole, Clenay, France**

[73] **Assignee: Societe Bourguignonne de Mecanique,
Clenay, France**

[**] **Term: 14 Years**

[21] **Appl. No.: 545,845**

[22] **Filed: Oct. 27, 1983**

[30] **Foreign Application Priority Data**

Apr. 28, 1983 [FR] France 83 1590

[52] **U.S. Cl. D23/122**

[58] **Field of Search D23/122-124,
D23/107, 111, 92, 93; 126/92 R, 92 B, 92 C, 92
AC**

[56] **References Cited**

U.S. PATENT DOCUMENTS

D. 267,585 1/1983 Sobole D23/122

Primary Examiner—Catherine E. Kemper

[57] **CLAIM**

The ornamental design for a heating device, as shown and described.

DESCRIPTION

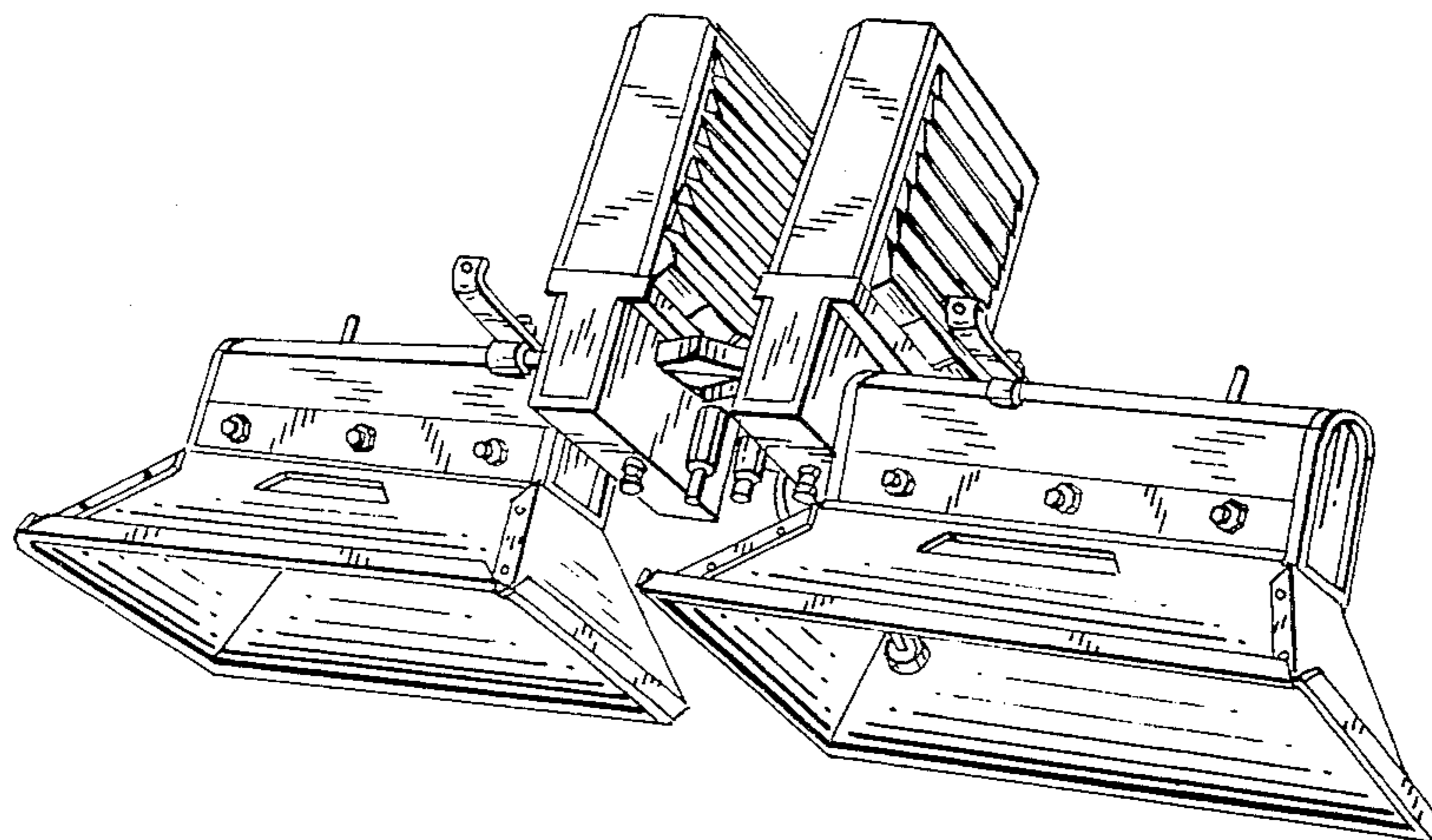
FIG. 1 is a top plan view of a heating device showing my new design;

FIG. 2 is a front elevational view thereof;

FIG. 3 is a left end elevational view thereof, the right end being the mirror image;

FIG. 4 is a perspective view taken from the bottom and side thereof; and,

FIG. 5 is a perspective view taken from the bottom and side thereof, tilted backward from the position shown in FIG. 4.



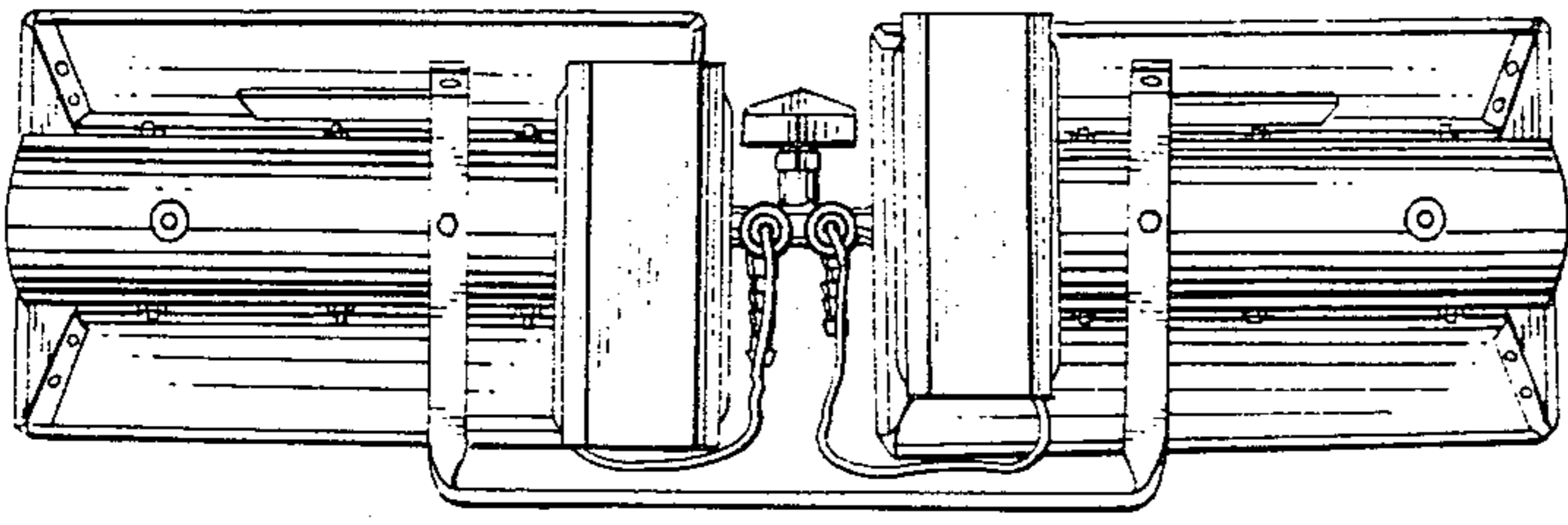


FIG. 1

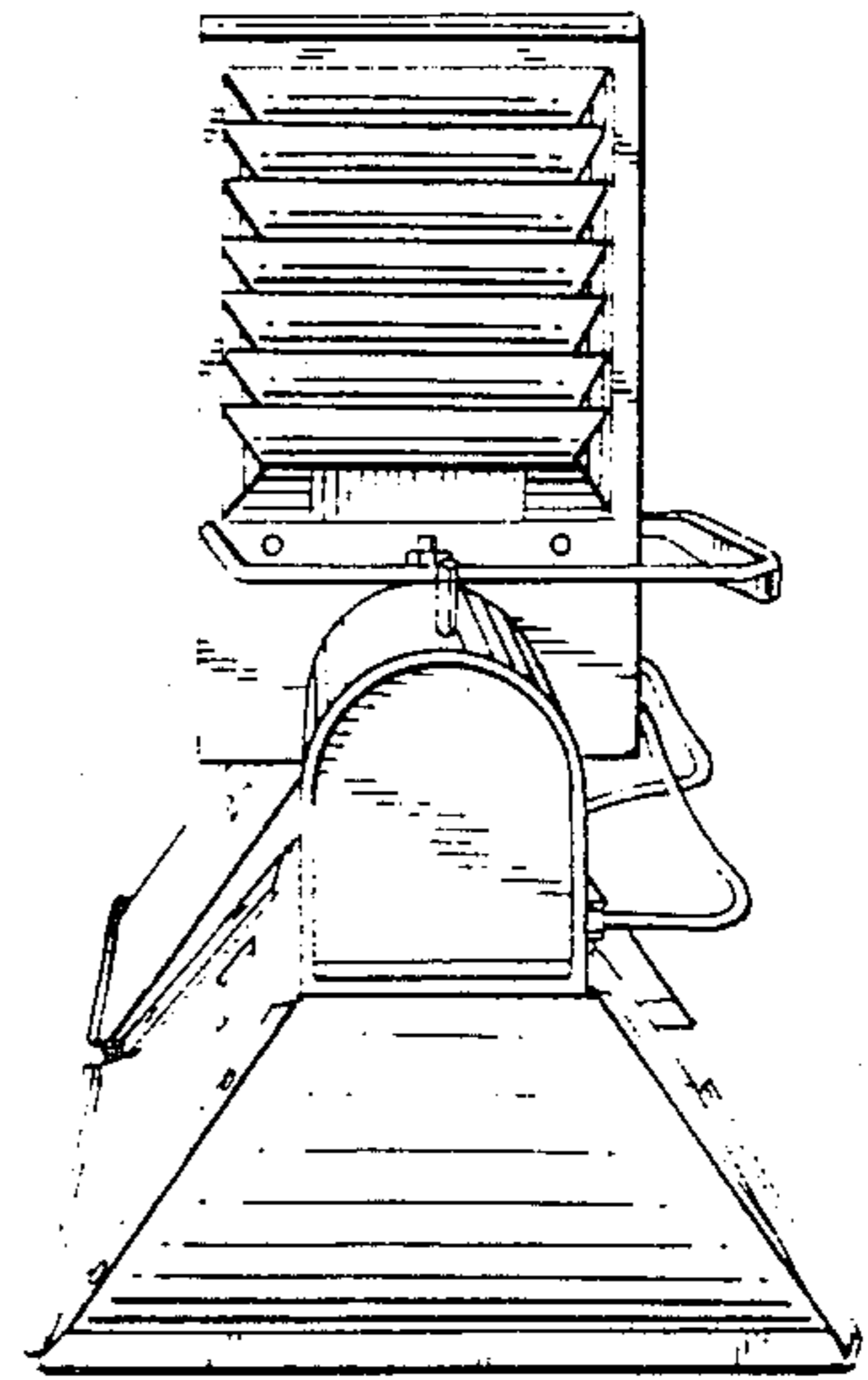


FIG. 3

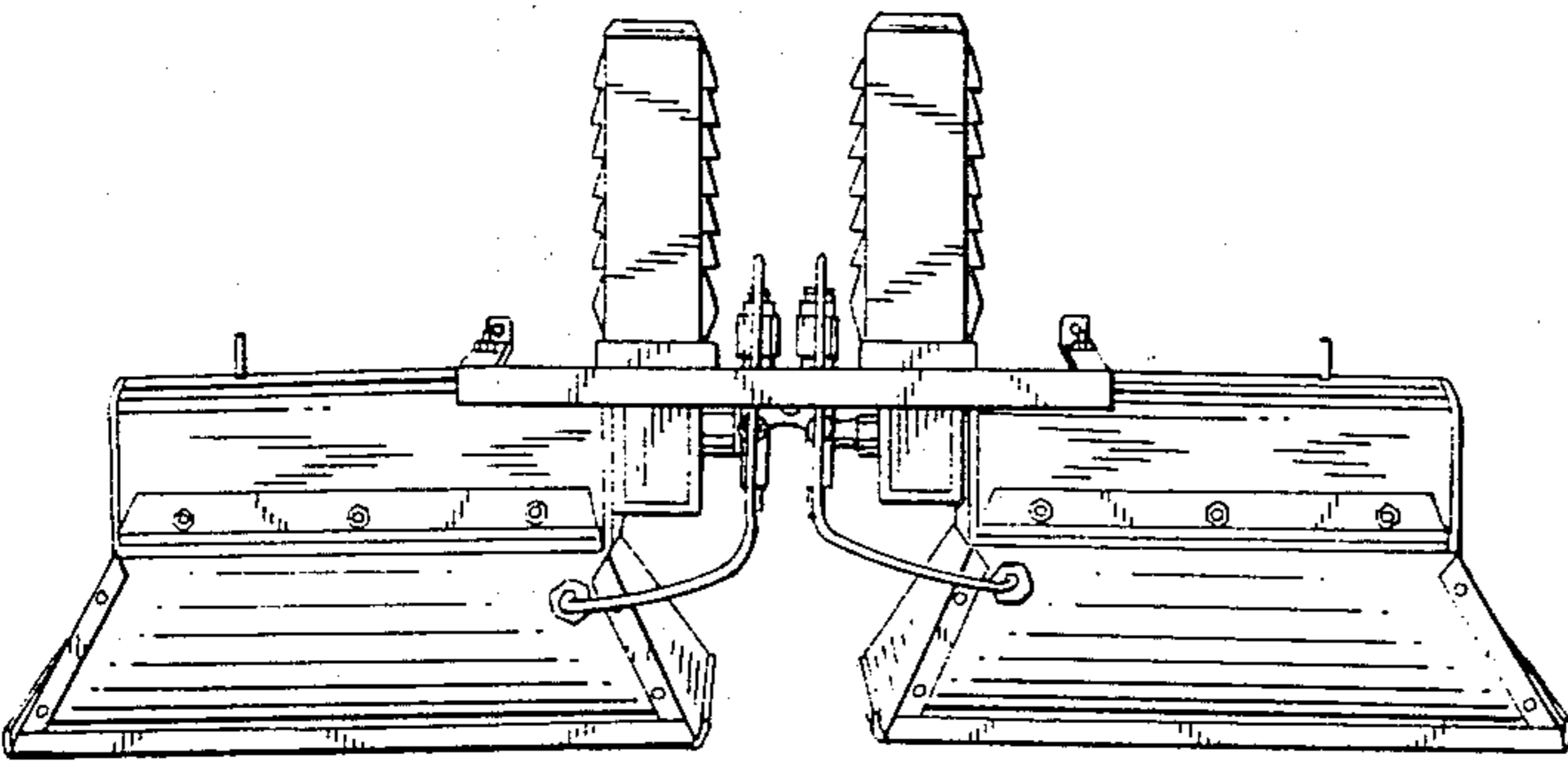


FIG. 2

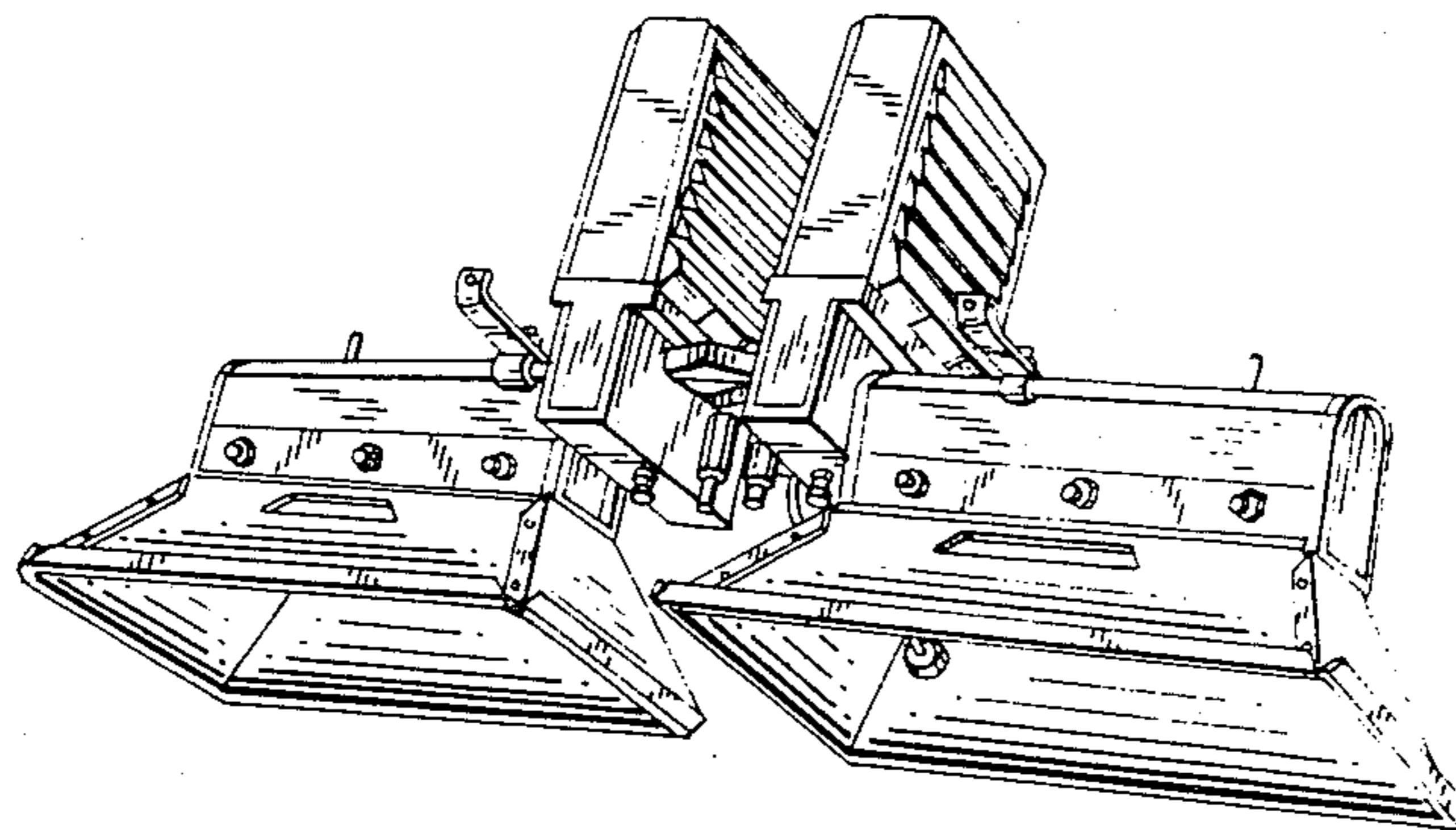


FIG. 4

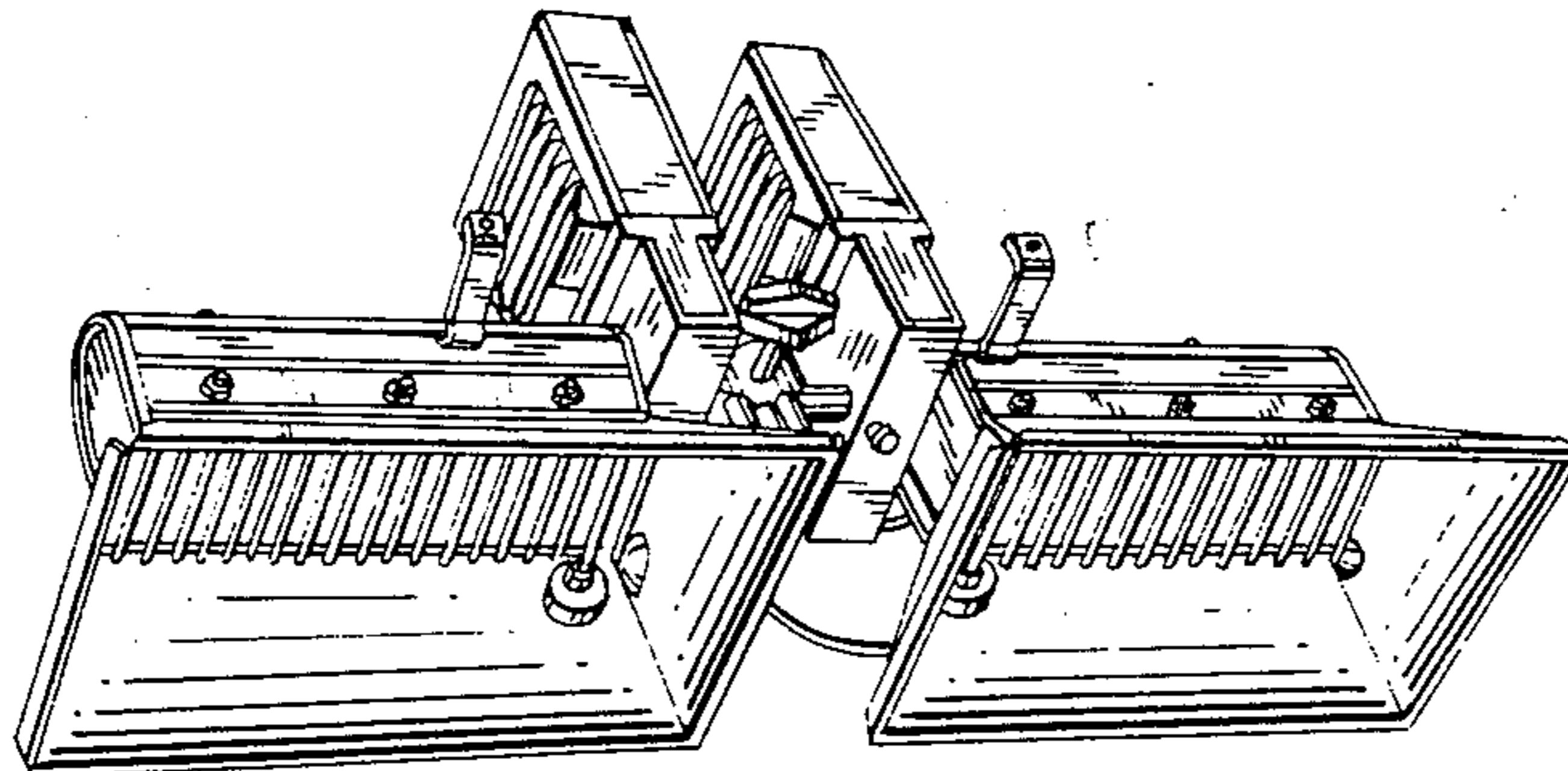


FIG. 5