

[54] **FISHING REEL**

[75] **Inventor: Richard J. Robbins, Derby, Kans.**

[73] **Assignee: Brunswick Corporation, Skokie, Ill.**

[\*\*] **Term: 14 Years**

[21] **Appl. No.: 583,112**

[22] **Filed: Feb. 24, 1984**

[52] **U.S. Cl. .... D22/25**

[58] **Field of Search ..... 242/84.1 R, 84.1 A,  
242/84.2 R, 84.2 P, 84.2 B; D22/25**

[56] **References Cited**

**U.S. PATENT DOCUMENTS**

- D. 258,904 4/1981 Myojo ..... D22/25
- D. 261,297 10/1981 Masakazu et al. .... D22/25
- D. 266,184 9/1982 Inuma et al. .... D22/25
- D. 269,694 7/1983 Myojo ..... D22/25

D. 275,781 10/1984 Myojo ..... D22/25

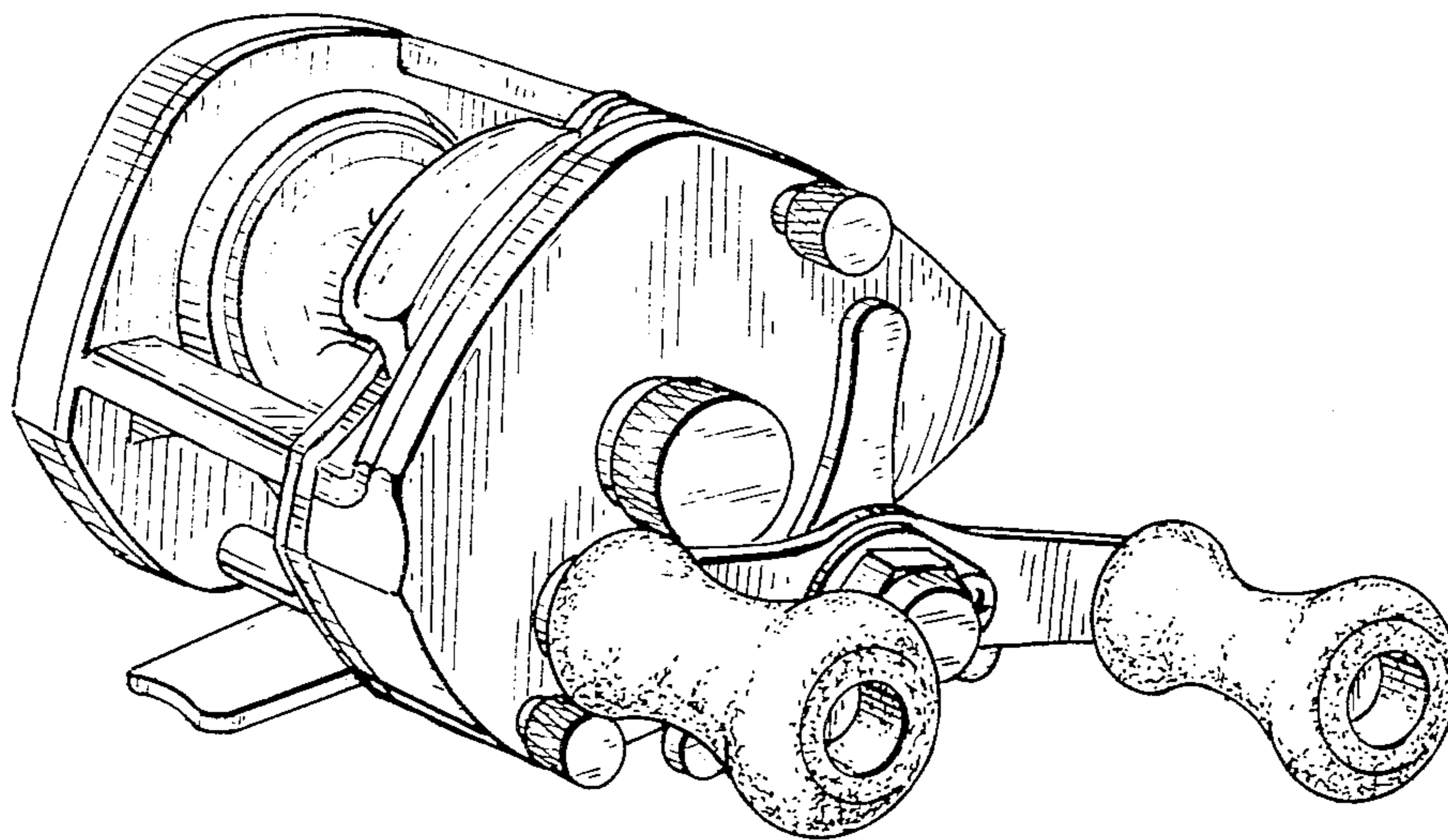
*Primary Examiner*—A. Hugo Word  
*Attorney, Agent, or Firm*—Wood, Dalton, Phillips,  
Mason & Rowe

[57] **CLAIM**

The ornamental design of a fishing reel, as shown and described.

**DESCRIPTION**

FIG. 1 is a perspective view of a front and side portion of the fishing reel showing my new design;  
FIG. 2 is a perspective view of a back and side portion of the fishing reel showing my new design;  
FIG. 3 is a side elevation view thereof;  
FIG. 4 is a front elevation view thereof;  
FIG. 5 is a top plan view thereof;  
FIG. 6 is a back elevation view thereof;  
FIG. 7 is a side elevation view thereof; and  
FIG. 8 is a bottom plan view thereof.



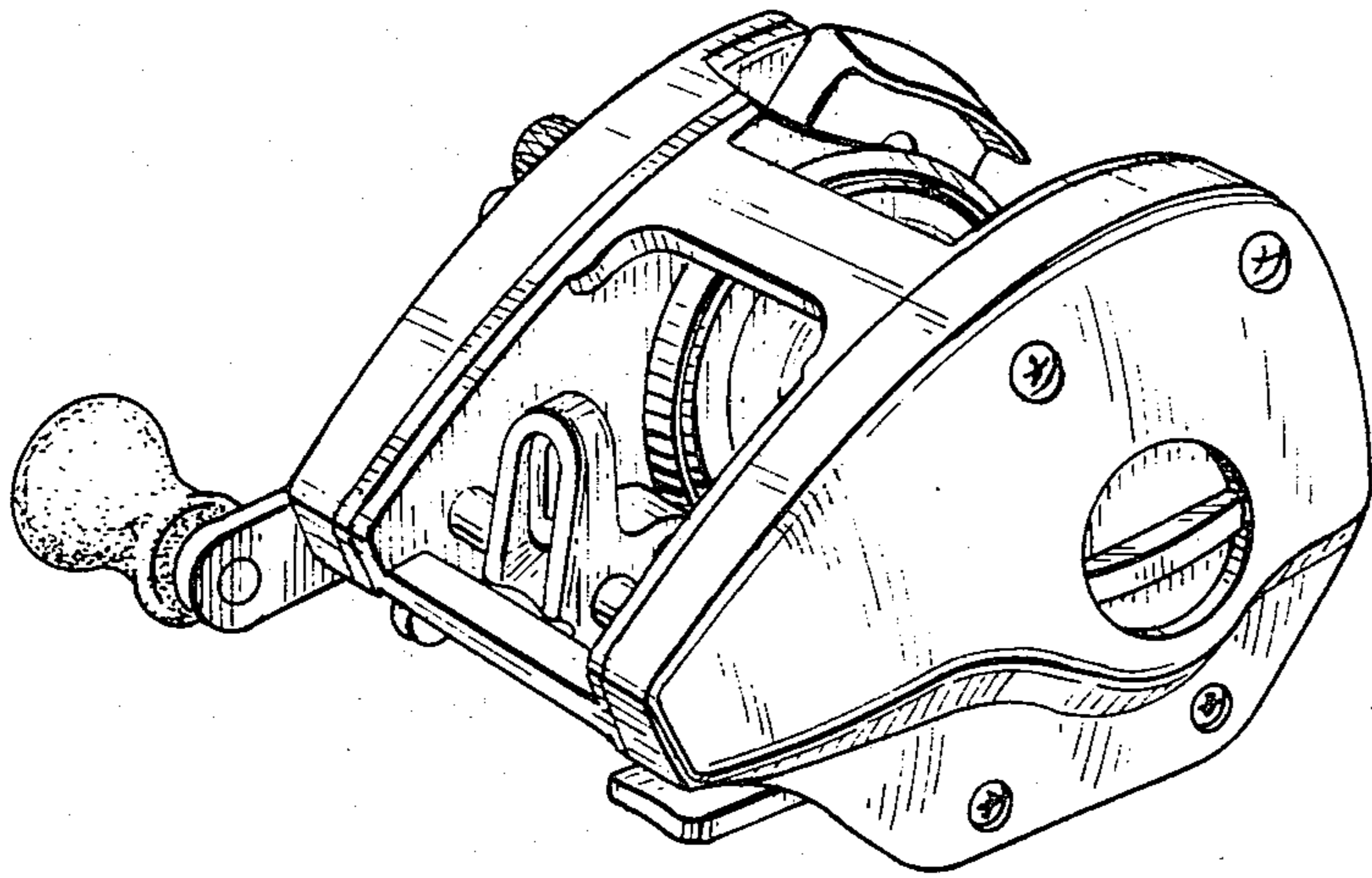


FIG. 1

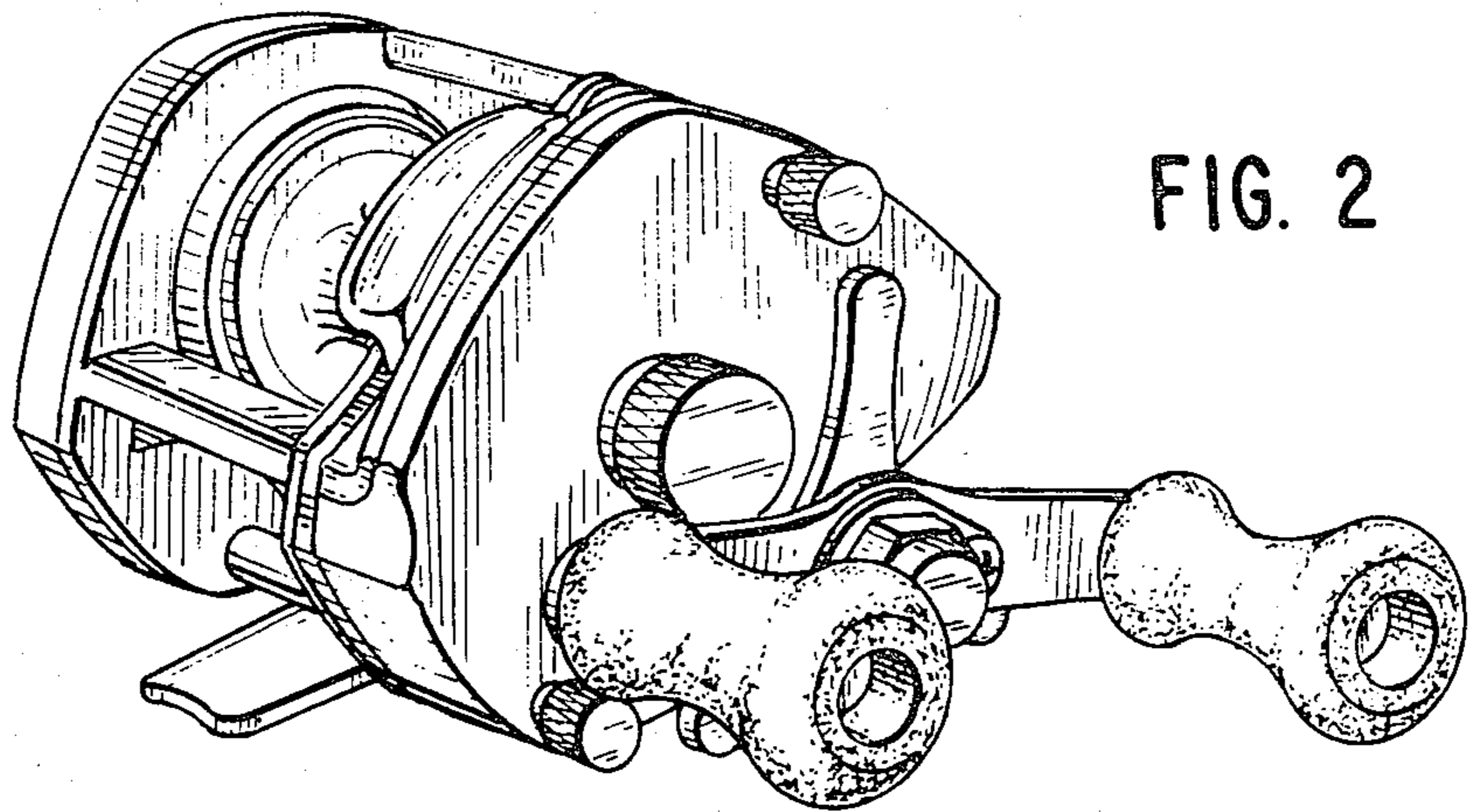


FIG. 2

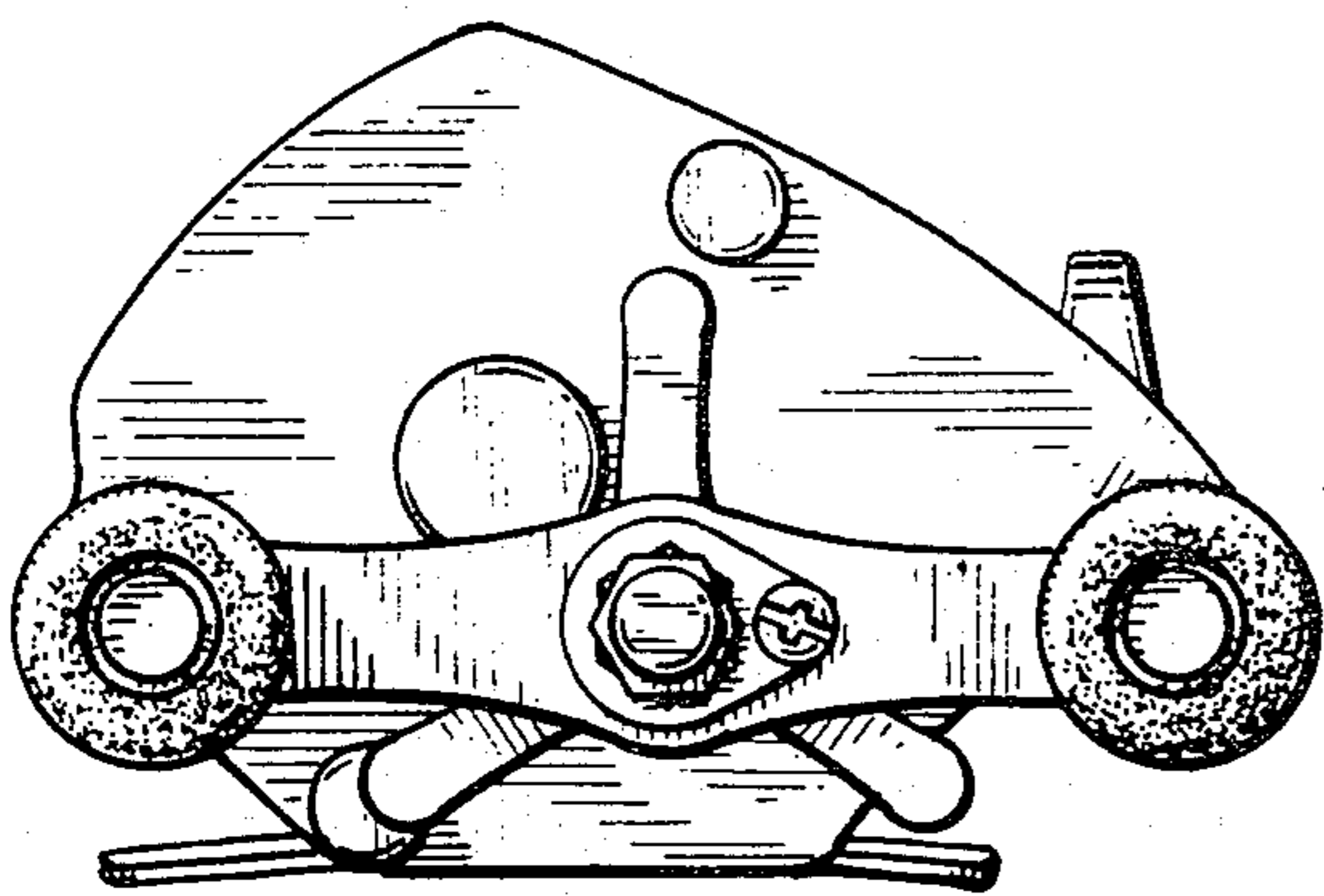


FIG. 3

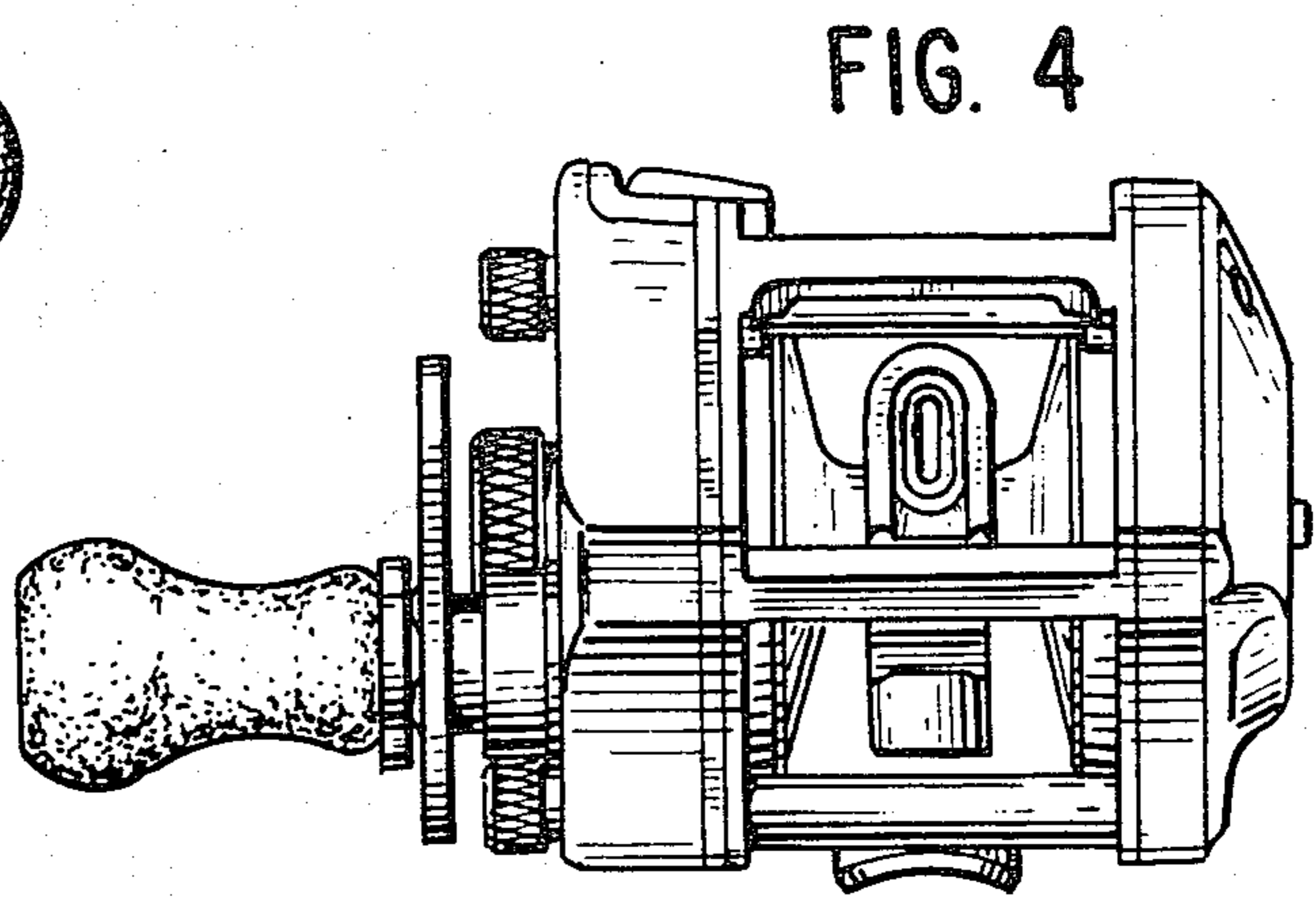


FIG. 4



FIG. 5

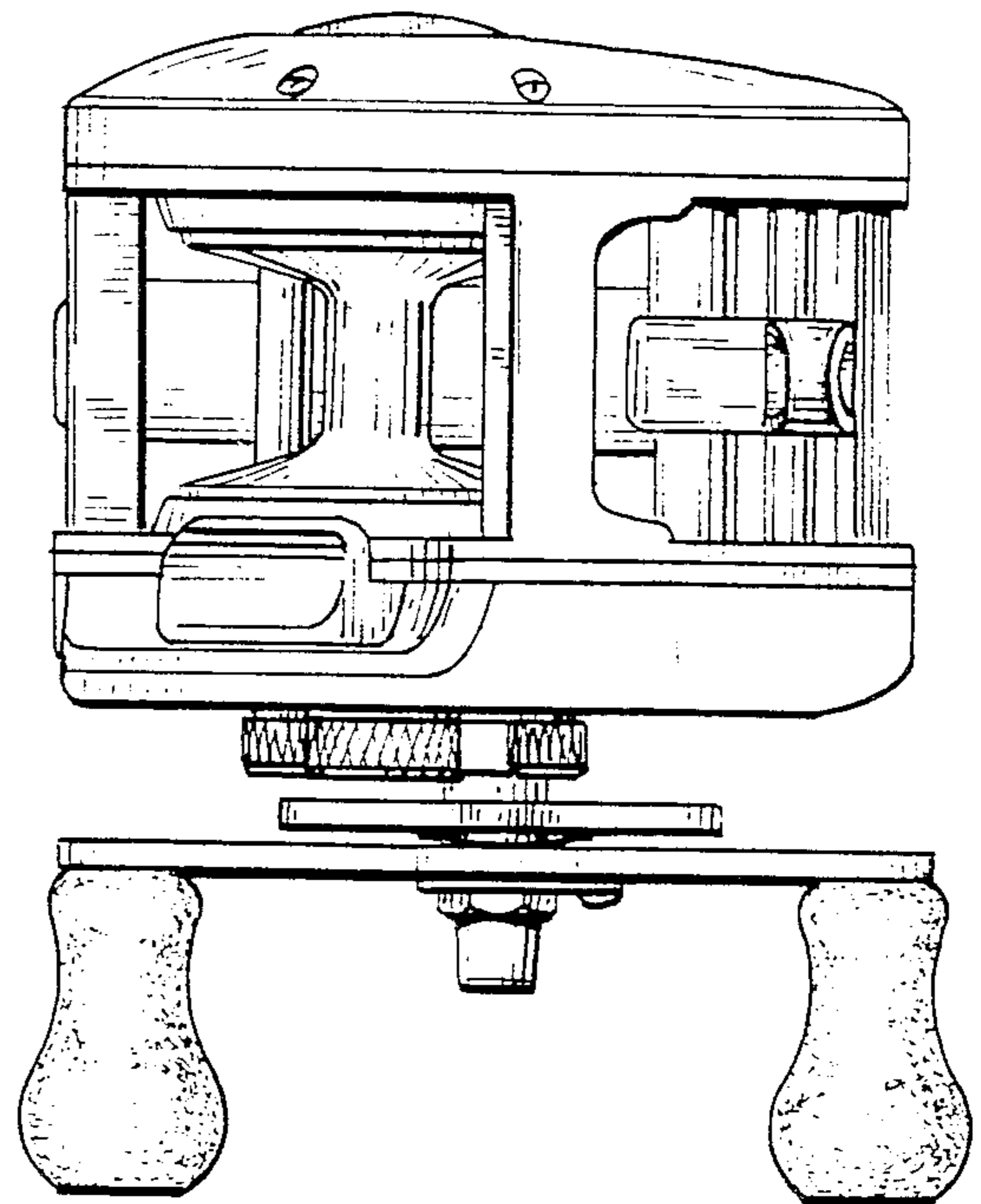


FIG. 6

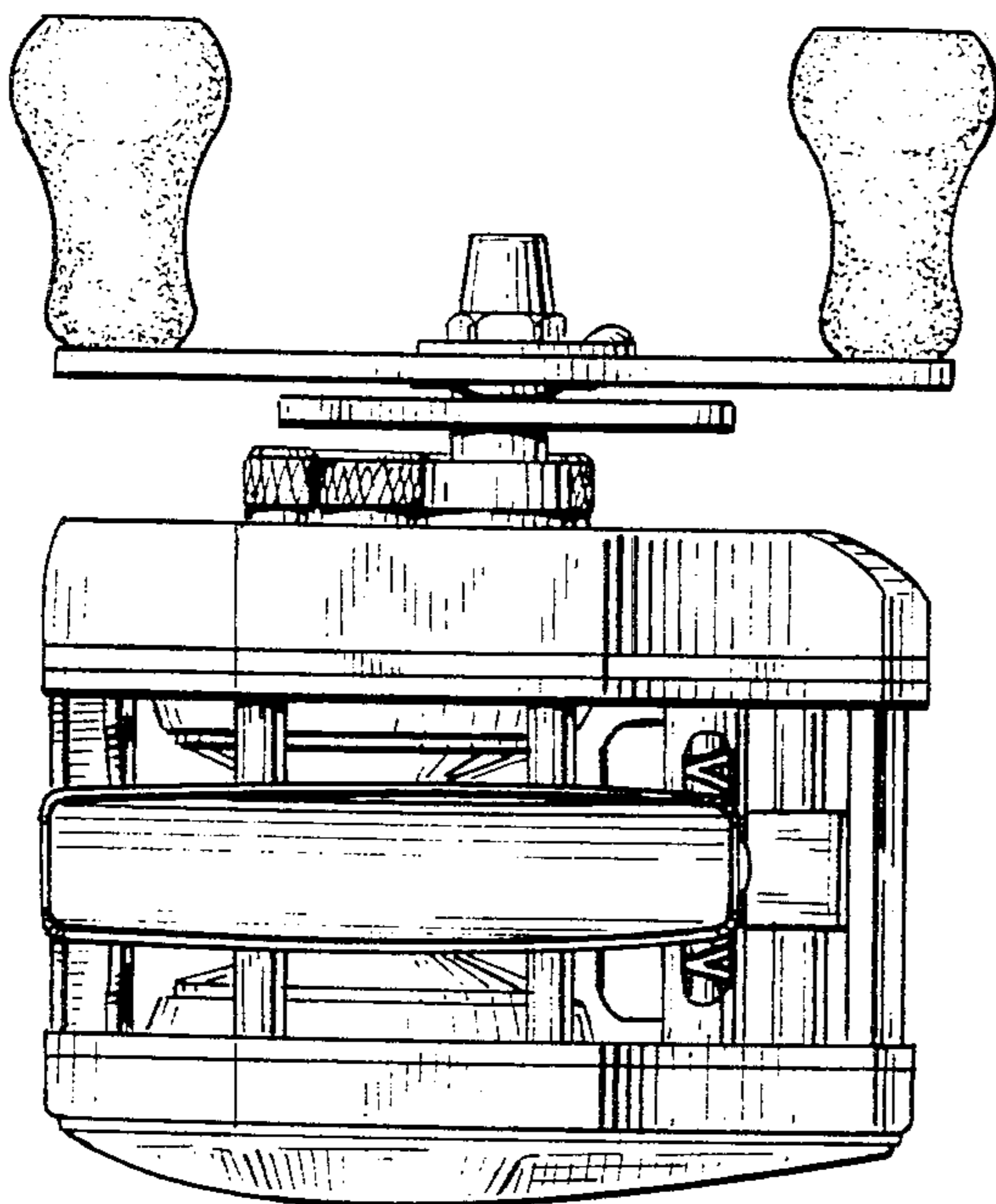
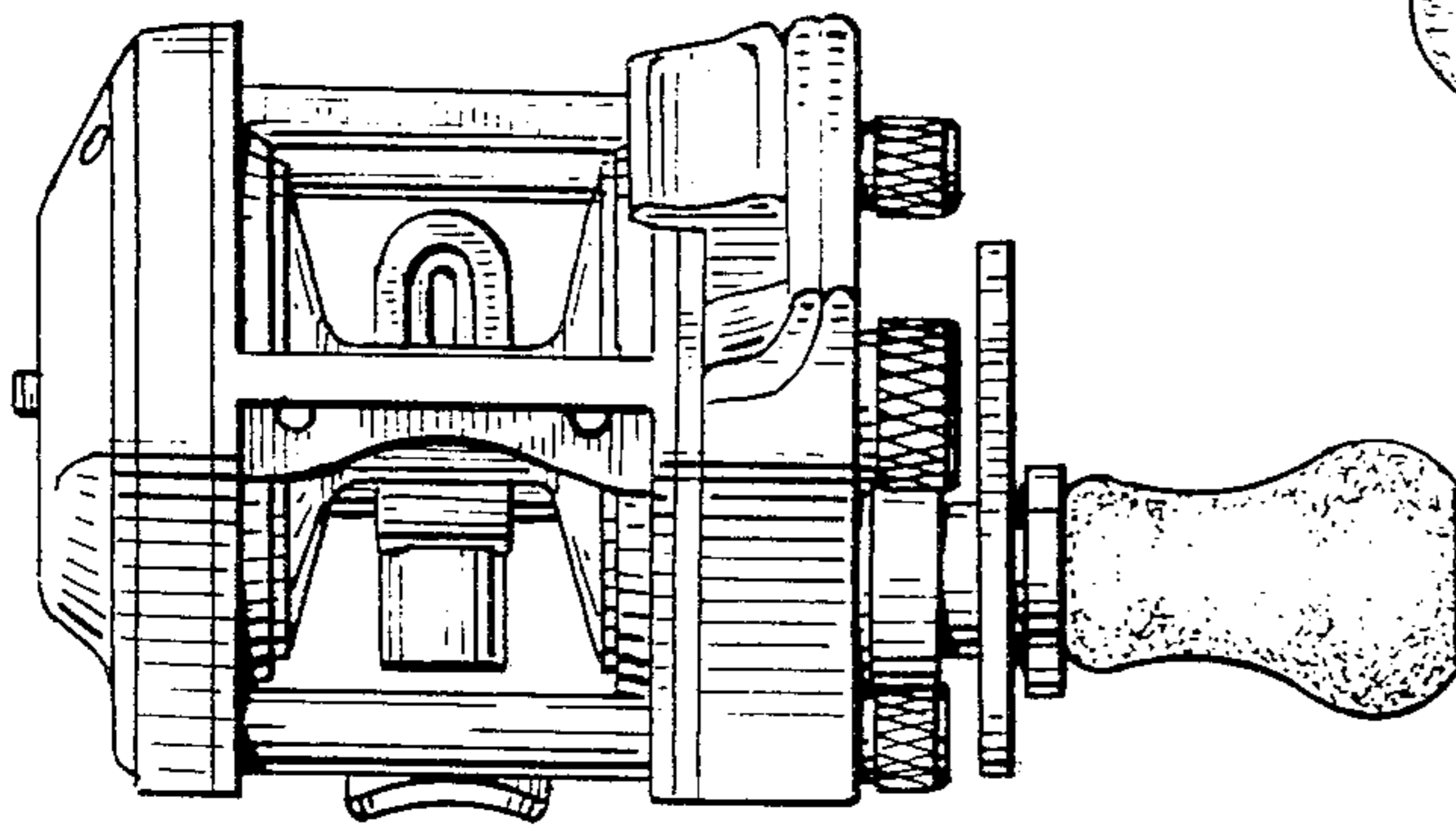


FIG. 7

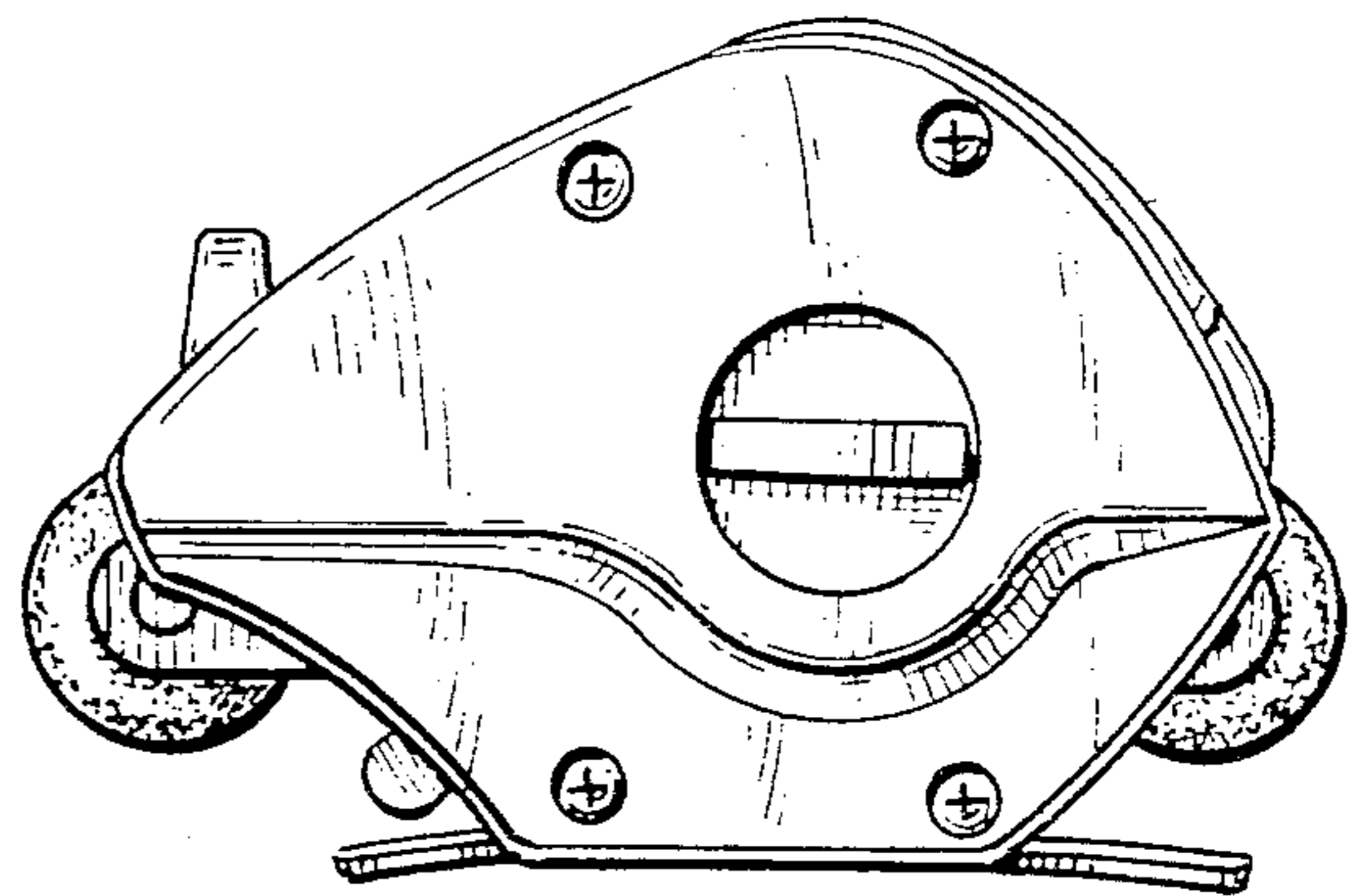


FIG. 8