

[54] RAT TRAP

[75] Inventor: Erik G. Adrians, Brastad, Sweden

[73] Assignee: Hansson & Sigvardsson AB, Smogen, Sweden

[\*\*] Term: 14 Years

[21] Appl. No.: 553,110

[22] Filed: Nov. 18, 1983

[30] Foreign Application Priority Data

May 18, 1983 [SE] Sweden ..... 83-1402

[52] U.S. Cl. .... D22/18

[58] Field of Search ..... 43/58, 114, 115, 116; D22/18, 19

[56] References Cited

U.S. PATENT DOCUMENTS

- D. 260,418 8/1981 Baker et al. .... D22/18
- 3,864,866 2/1975 Kosinsky ..... 43/58
- 4,208,828 6/1980 Hall et al. .... 43/114

4,425,731 1/1984 Orlando ..... D22/18 X

Primary Examiner—A. Hugo Word  
Attorney, Agent, or Firm—Holman & Stern

[57] CLAIM

The ornamental design for a rat trap, as shown.

DESCRIPTION

FIG. 1 is a planar view showing my rat trap from the upper side thereof.

FIG. 2 is a planar view illustrating the lower side of my rat trap.

FIG. 3 is a planar front view of my rat trap.

FIG. 4 is a planar view showing the rear side of my rat trap.

FIG. 5 is a planar view showing the left hand side of my rat trap.

FIG. 6 shows in a planar view the right hand side of my rat trap, and

FIG. 7 shows in a perspective view my rat trap as viewed obliquely from above and from the right hand front side thereof.

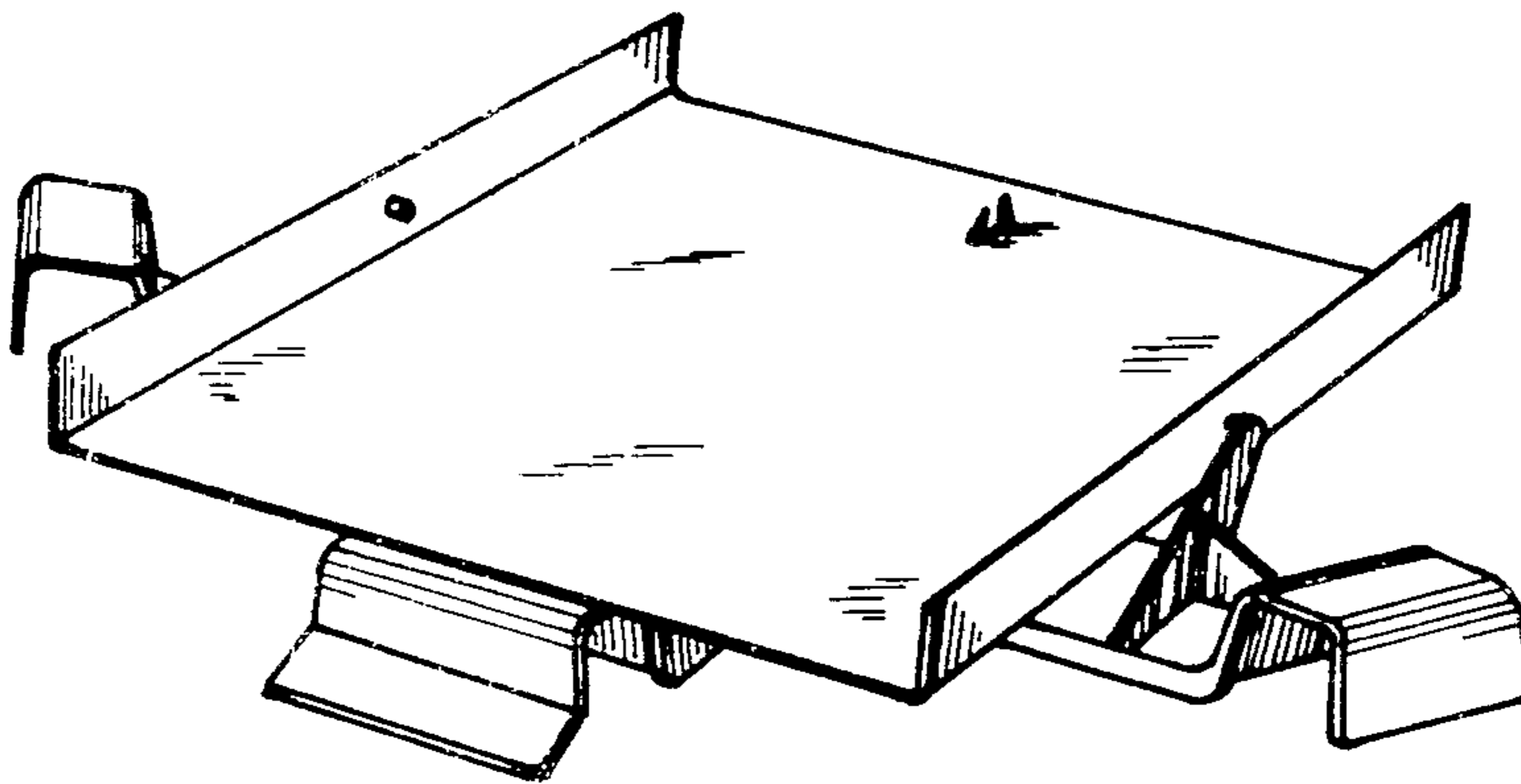


FIG 1

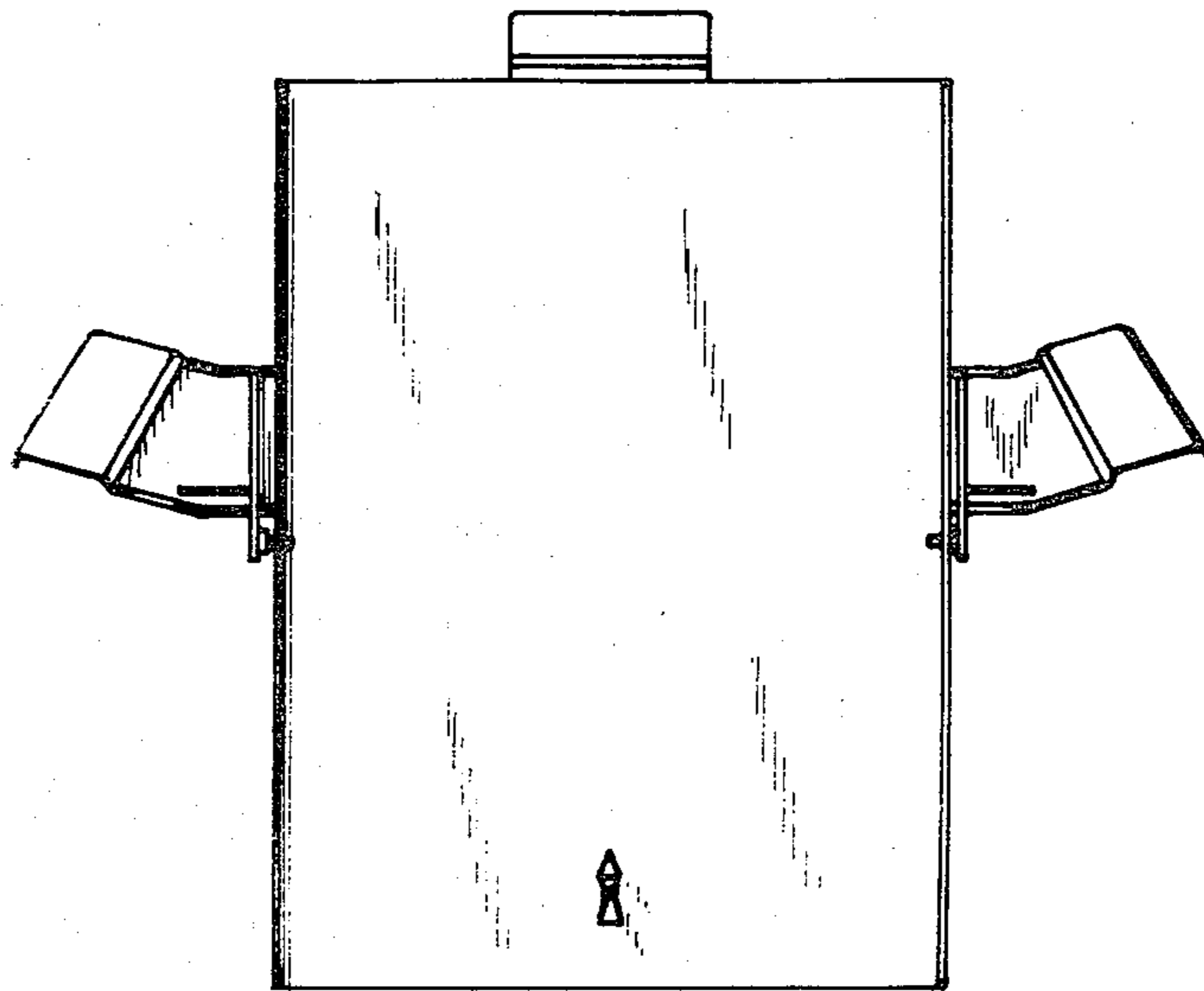
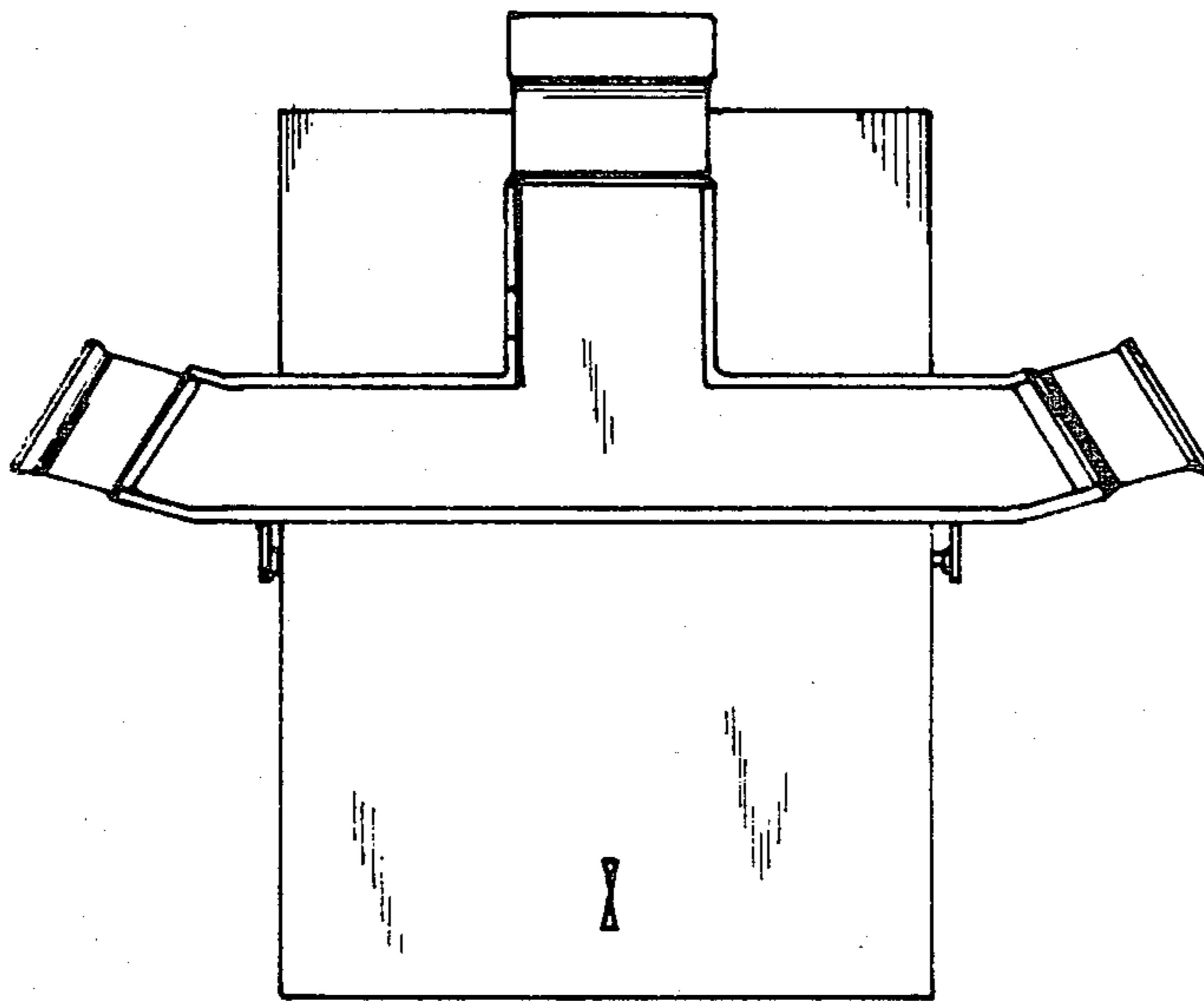
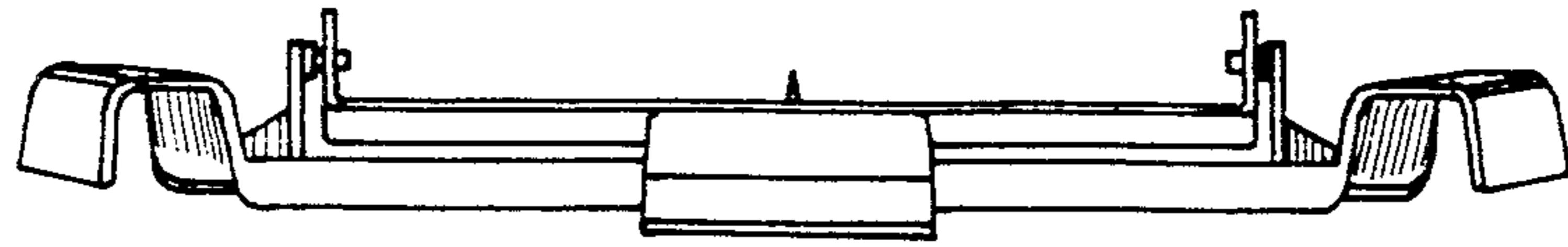


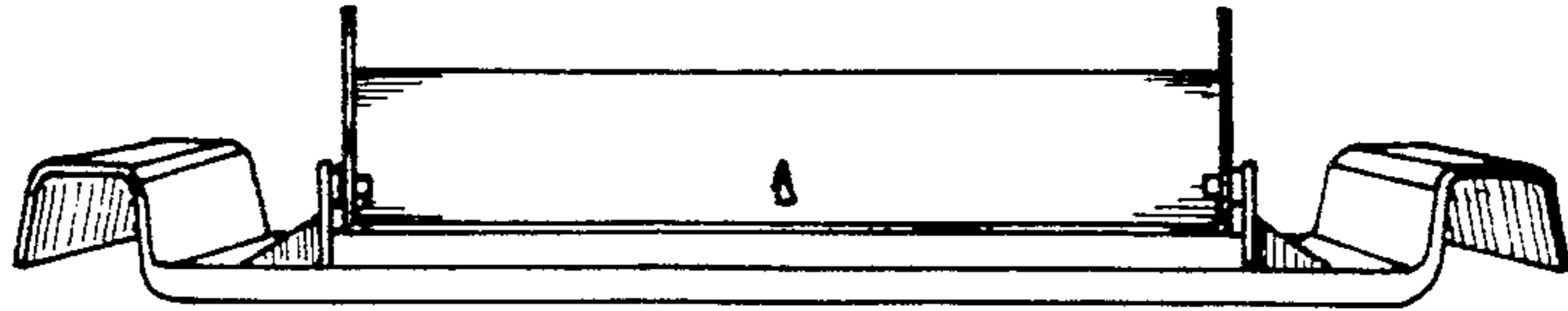
FIG 2



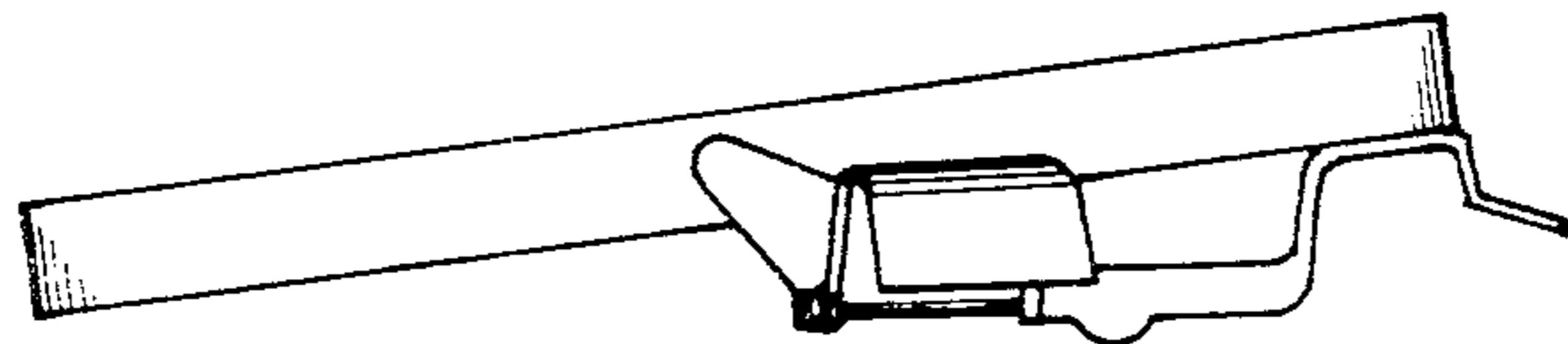
**FIG 3**



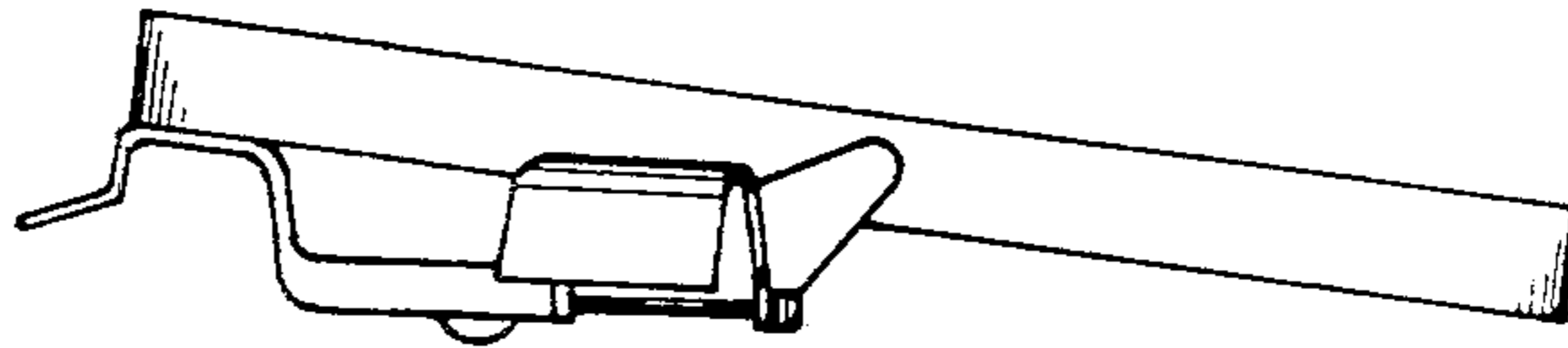
**FIG 4**



**FIG 5**



**FIG 6**



**FIG 7**

