

[54] CAMERA

[75] Inventor: Takeyoshi Iguchi, Tokyo, Japan

[73] Assignee: Konishiroku Photo Ind., Co., Ltd., Tokyo, Japan

[**] Term: 14 Years

[21] Appl. No.: 515,985

[22] Filed: Jul. 21, 1983

[30] Foreign Application Priority Data

Jan. 28, 1983 [JP] Japan 58-3188

[52] U.S. Cl. D16/5; D16/1

[58] Field of Search D16/1-2, D16/5, 6-10; 354/121, 145, 152, 288

[56] References Cited

U.S. PATENT DOCUMENTS

D. 213,806	4/1969	Ikegami	D16/5
D. 221,256	7/1971	Fukuda	D16/5
D. 224,350	7/1972	Fukuda	D16/5
D. 237,833	11/1975	Winkler	D16/5
D. 238,613	1/1976	Waaske	D16/1
D. 263,056	2/1982	Haituri	D16/5
3,938,170	2/1976	Winkler	354/288
4,240,735	12/1980	Maitani	354/288
4,273,434	6/1981	Maitani	354/288
4,299,465	11/1981	Chan	354/145

FOREIGN PATENT DOCUMENTS

2902600	7/1980	Fed. Rep. of Germany	354/288
0173822	10/1982	Japan	354/288
0004122	1/1983	Japan	354/288

Primary Examiner—Nelson C. Holje
Attorney, Agent, or Firm—Burns, Doane, Swecker & Mathis

[57] CLAIM

The ornamental design for a camera, as shown and described.

DESCRIPTION

FIG. 1 is a front, top and left side perspective view of a camera showing my new design in the opened position; FIG. 2 is a top plan view thereof; FIG. 3 is a front elevational view thereof; FIG. 4 is a bottom plan view thereof; FIG. 5 is a left side elevational view thereof; FIG. 6 is a right side elevational view thereof; FIG. 7 is a rear elevational view thereof; FIG. 8 is a front, top and left side perspective view of the camera in closed position; FIG. 9 is a top plan view thereof; FIG. 10 is a front elevational view thereof; FIG. 11 is a bottom plan view thereof; FIG. 12 is a rear elevational view thereof.

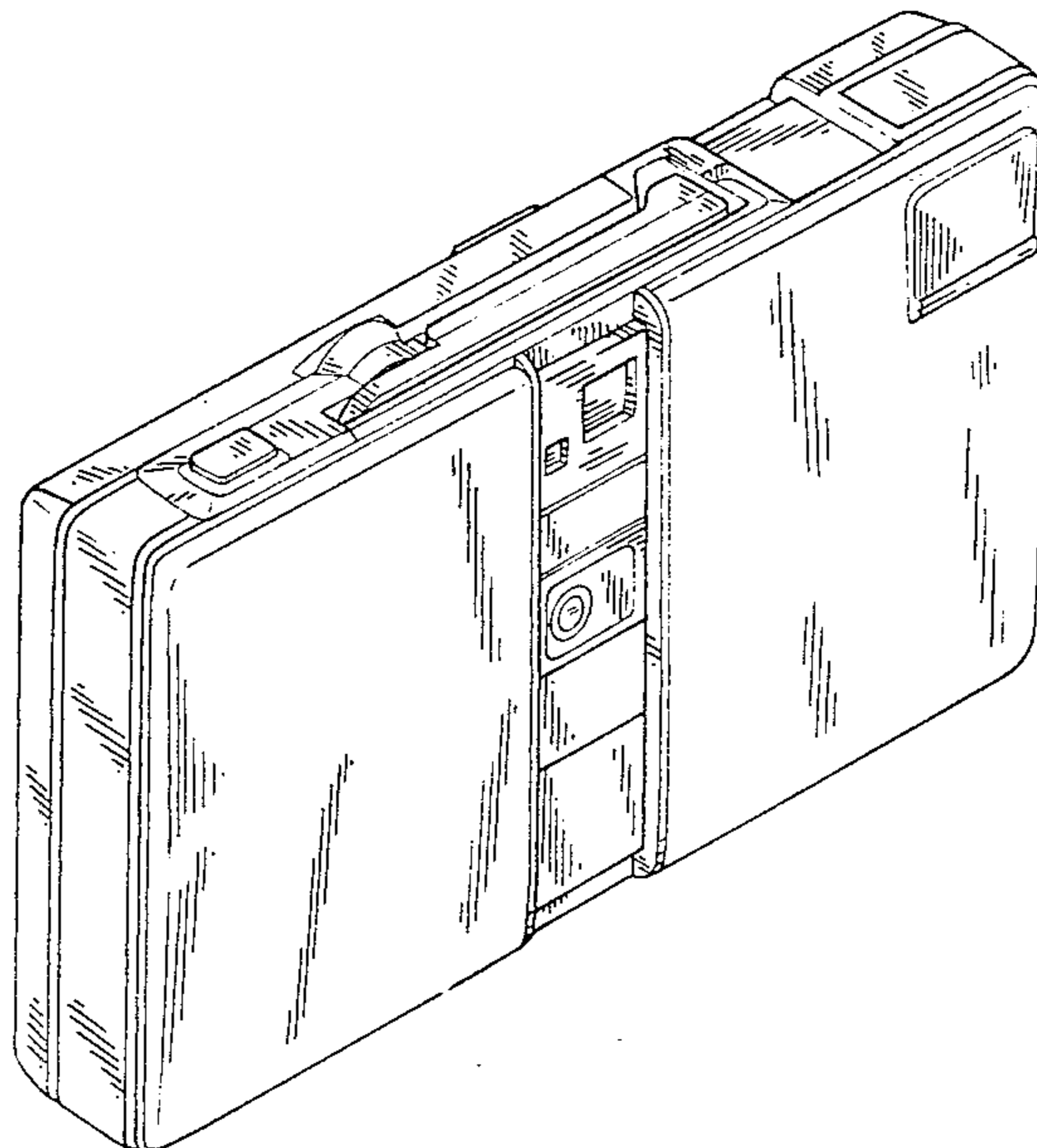


FIG. 1

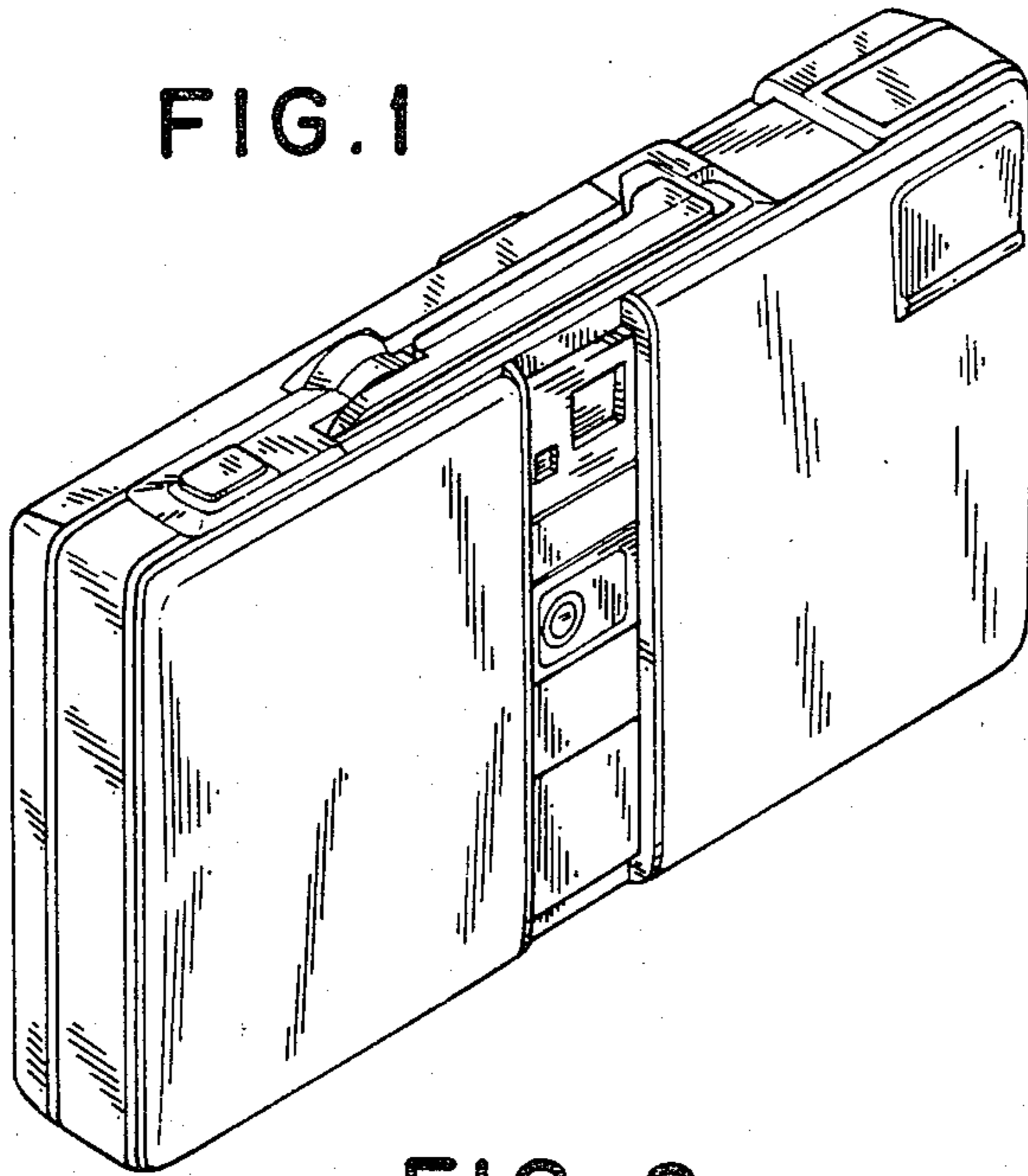


FIG. 2

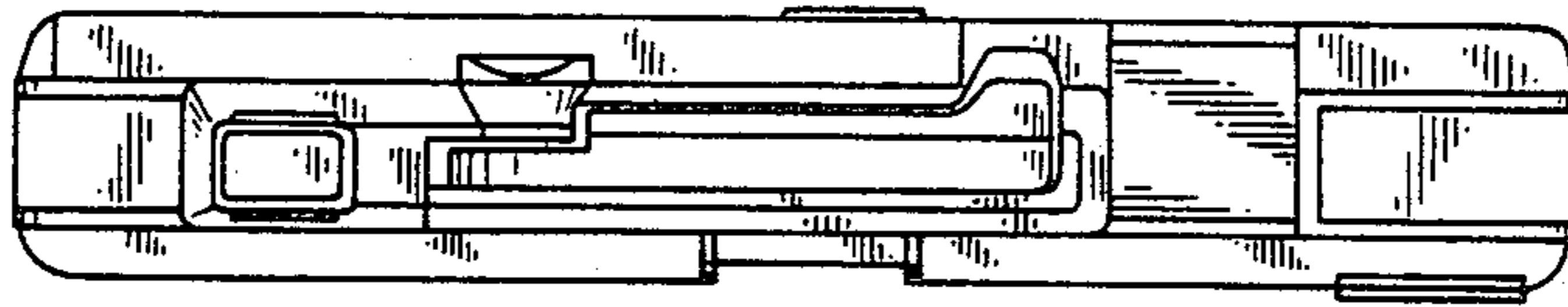


FIG. 3

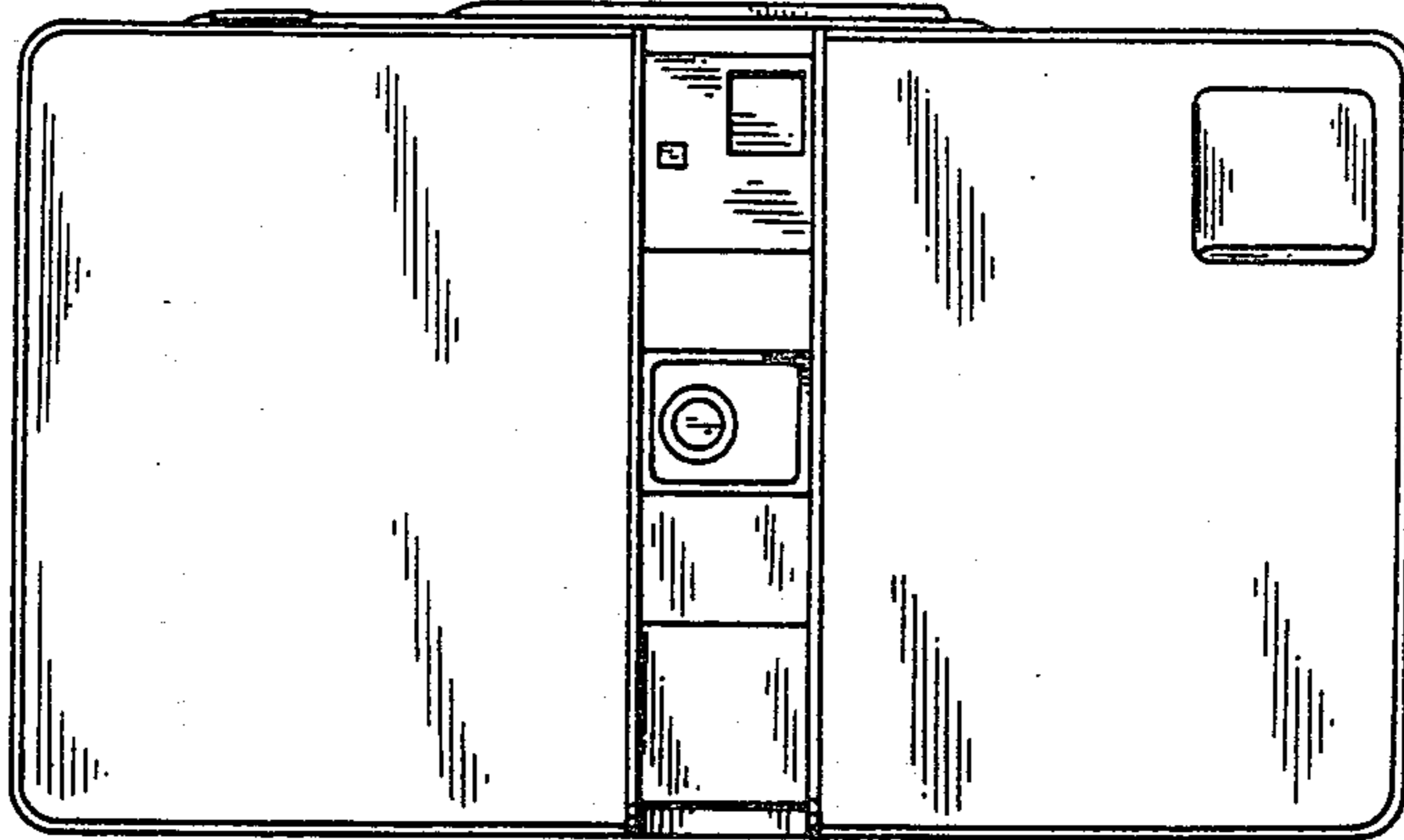


FIG. 4

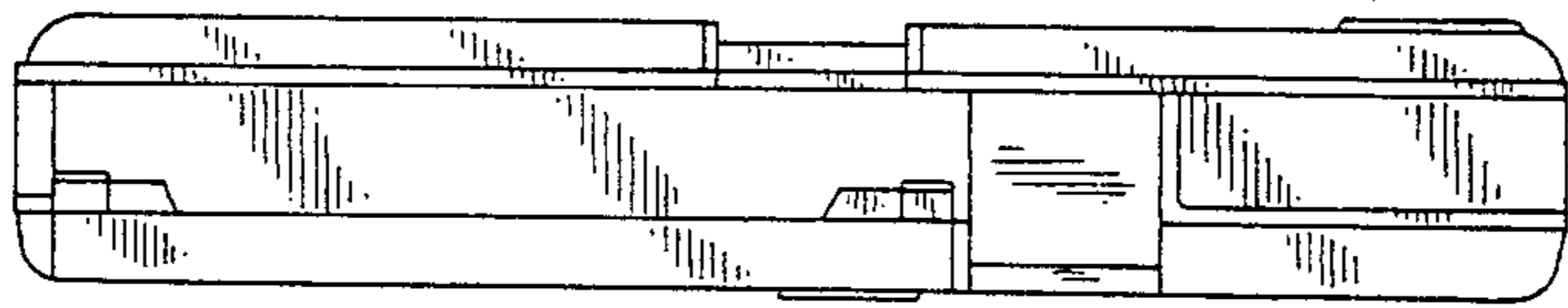


FIG. 5

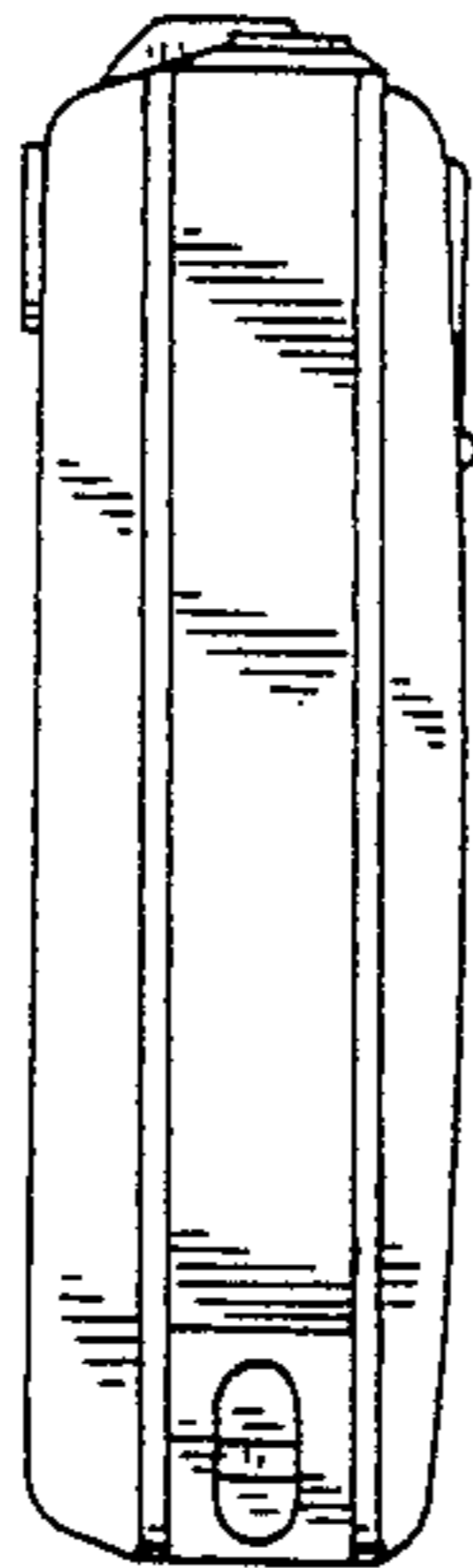


FIG. 6

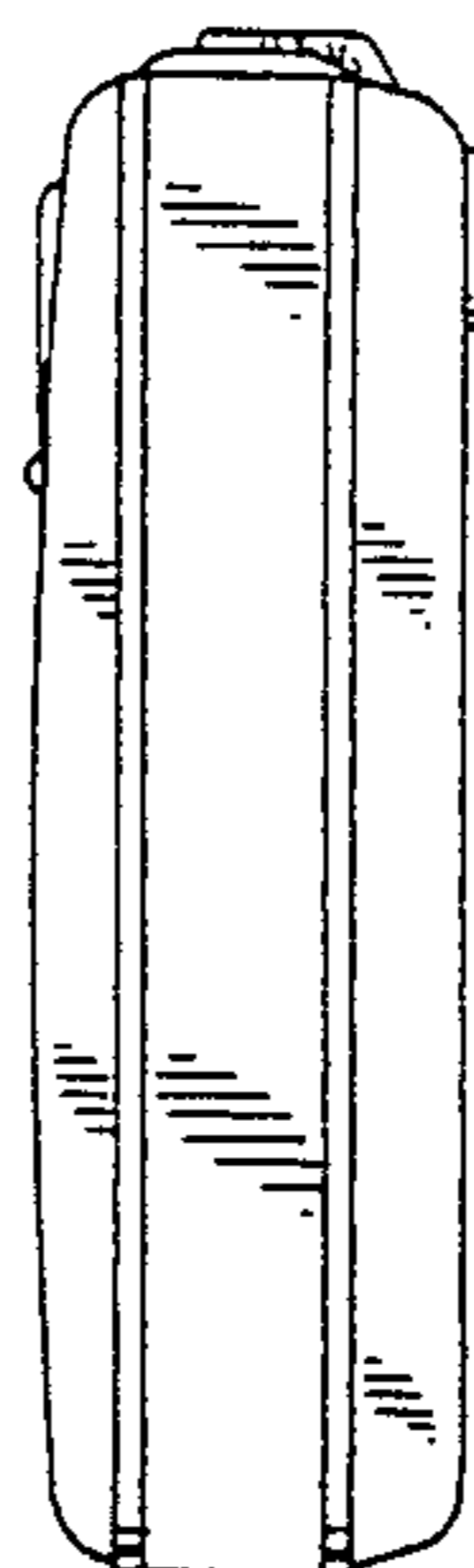


FIG. 7

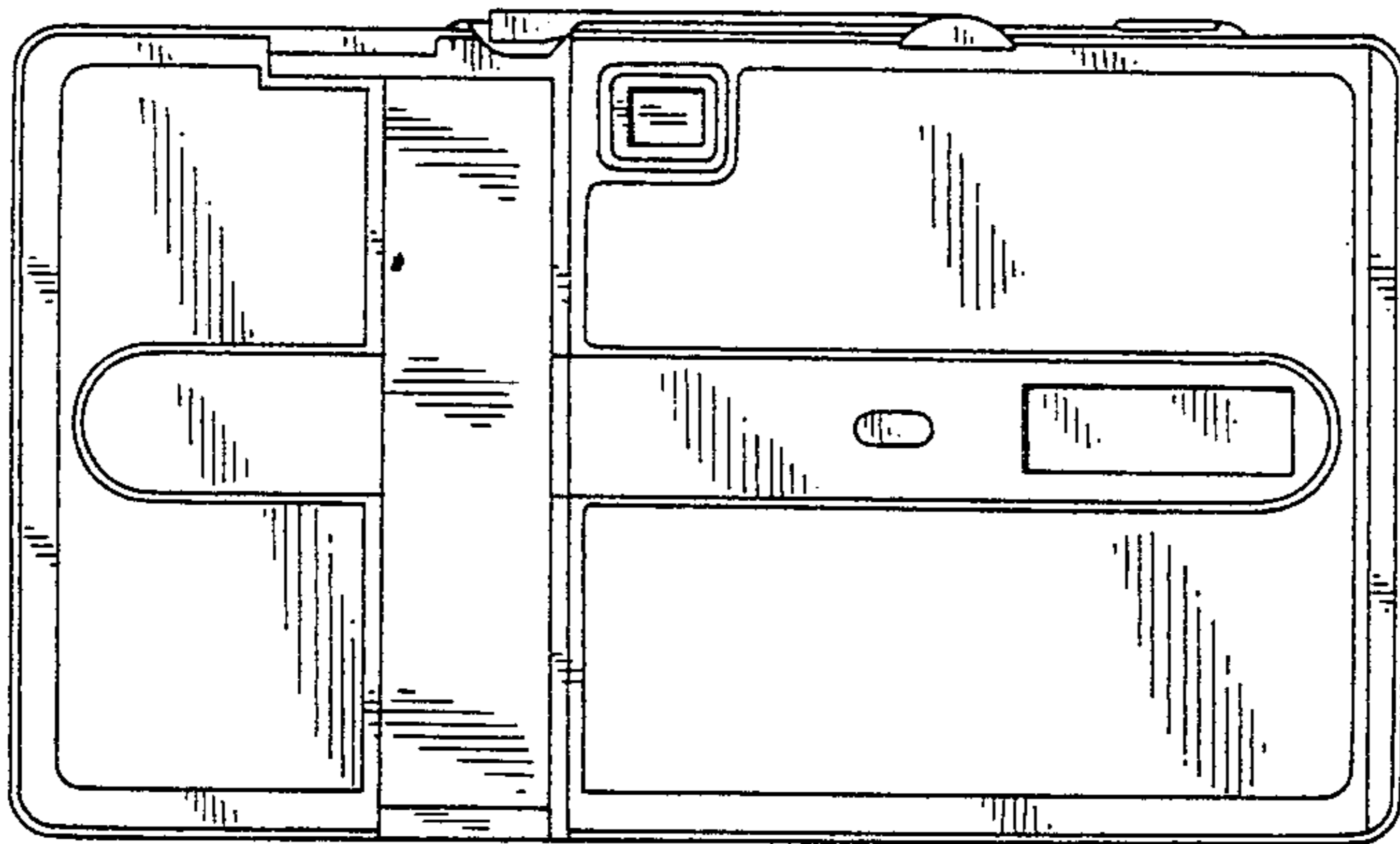


FIG. 8

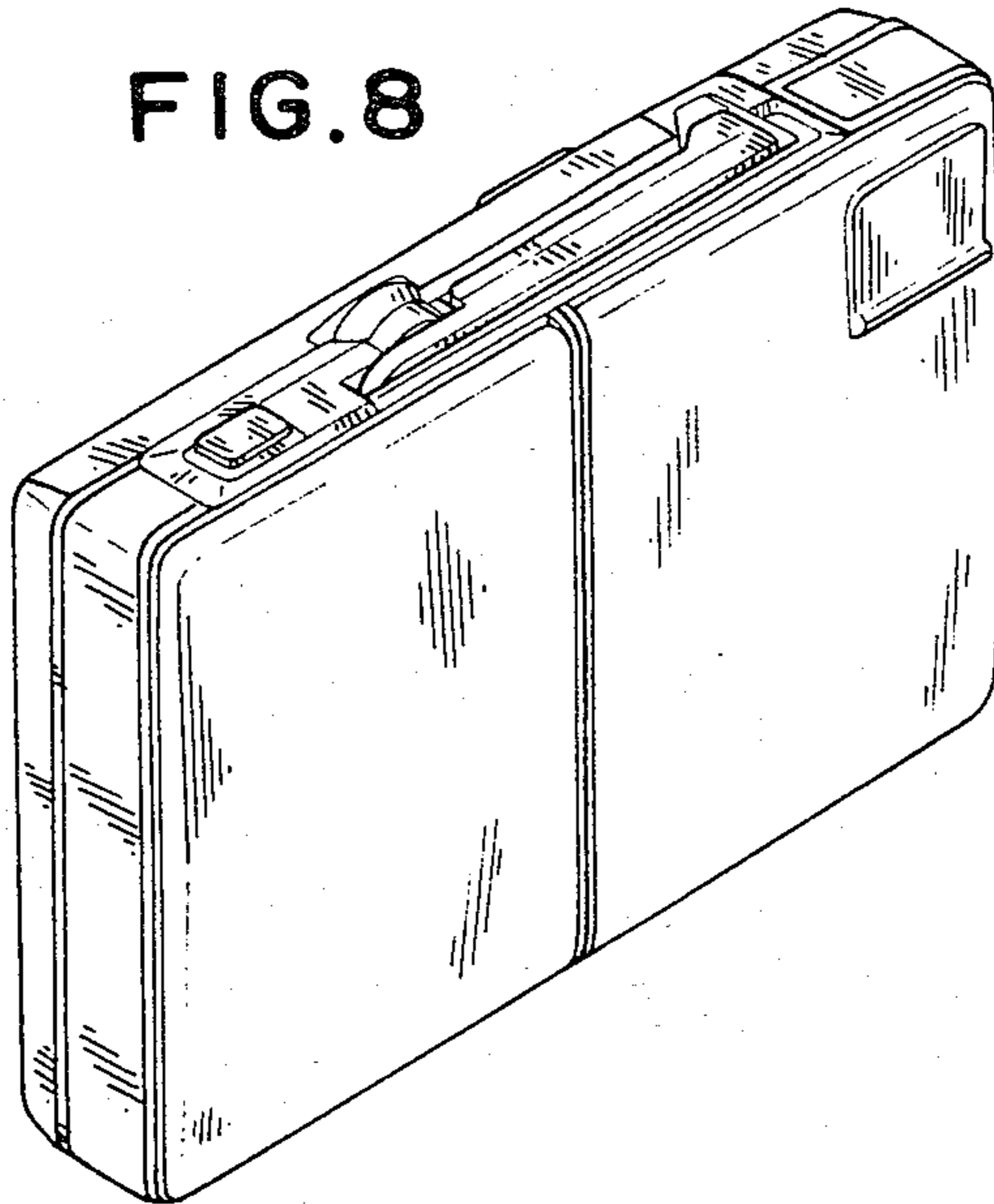


FIG. 9

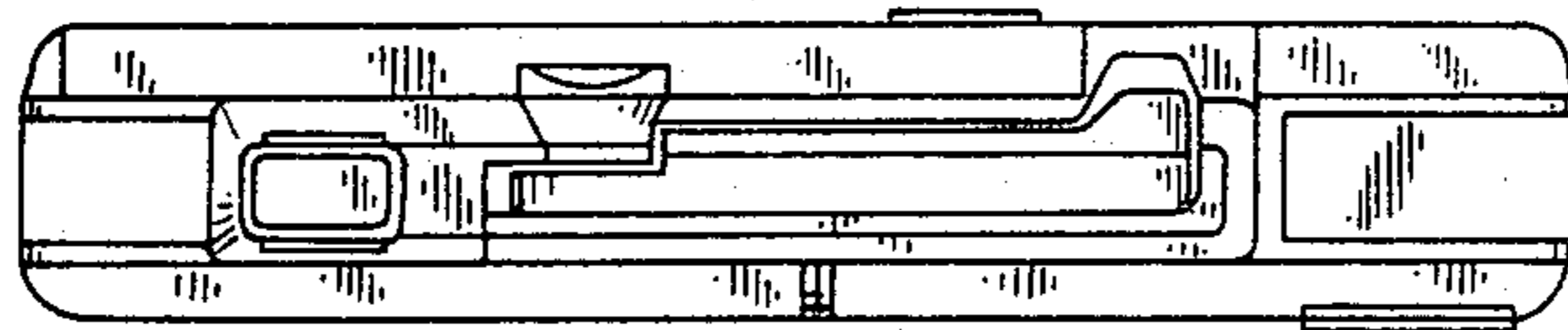


FIG. 10

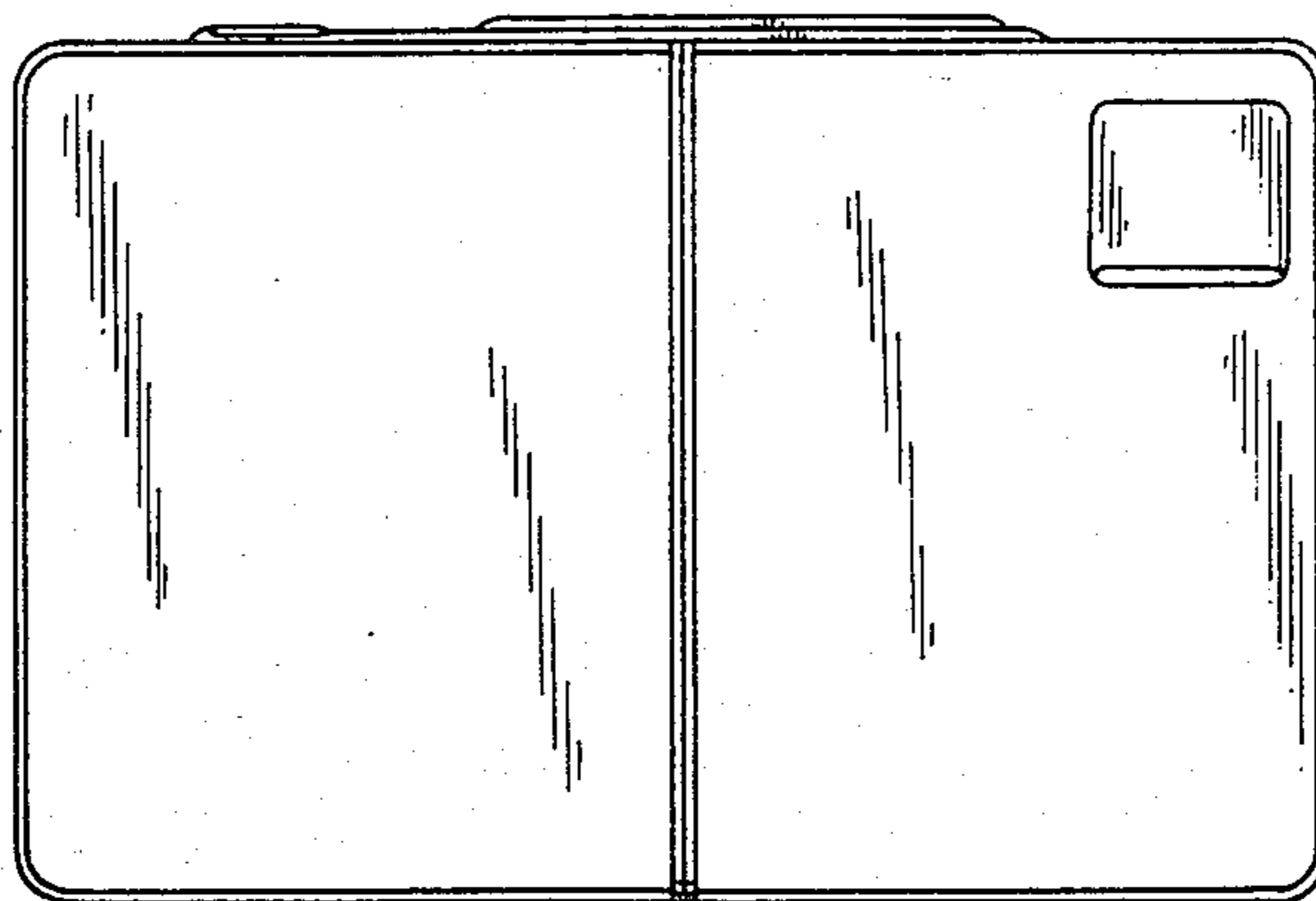


FIG. 11

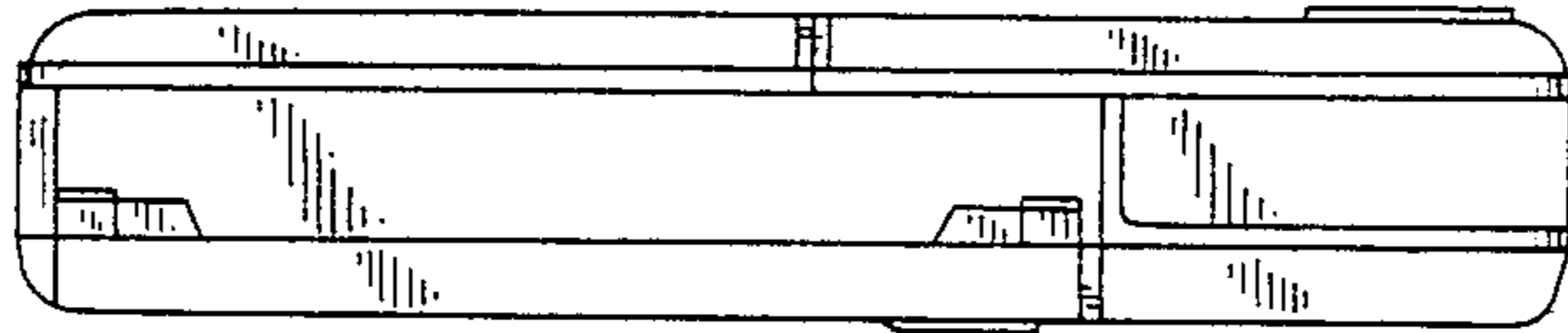


FIG. 12

