

[54] ADJUSTABLE AGRICULTURAL SPRAYER OR SIMILAR ARTICLE

[76] Inventor: Leroy R. Cobia, 14718 Madison Cir., Omaha, Nebr. 68137

[**] Term: 14 Years

[21] Appl. No.: 567,810

[22] Filed: Jan. 3, 1984

[52] U.S. Cl. D15/13

[58] Field of Search D15/13, 10; D23/17; 239/159, 164, 169, 286

[56] References Cited

U.S. PATENT DOCUMENTS

2,575,521	11/1951	Ireland	239/286
3,090,562	5/1963	Richardson	239/169
3,153,509	10/1969	Curtis	239/164
3,927,832	12/1975	Robison et al.	239/769
4,227,649	10/1980	Poffenroth	239/164

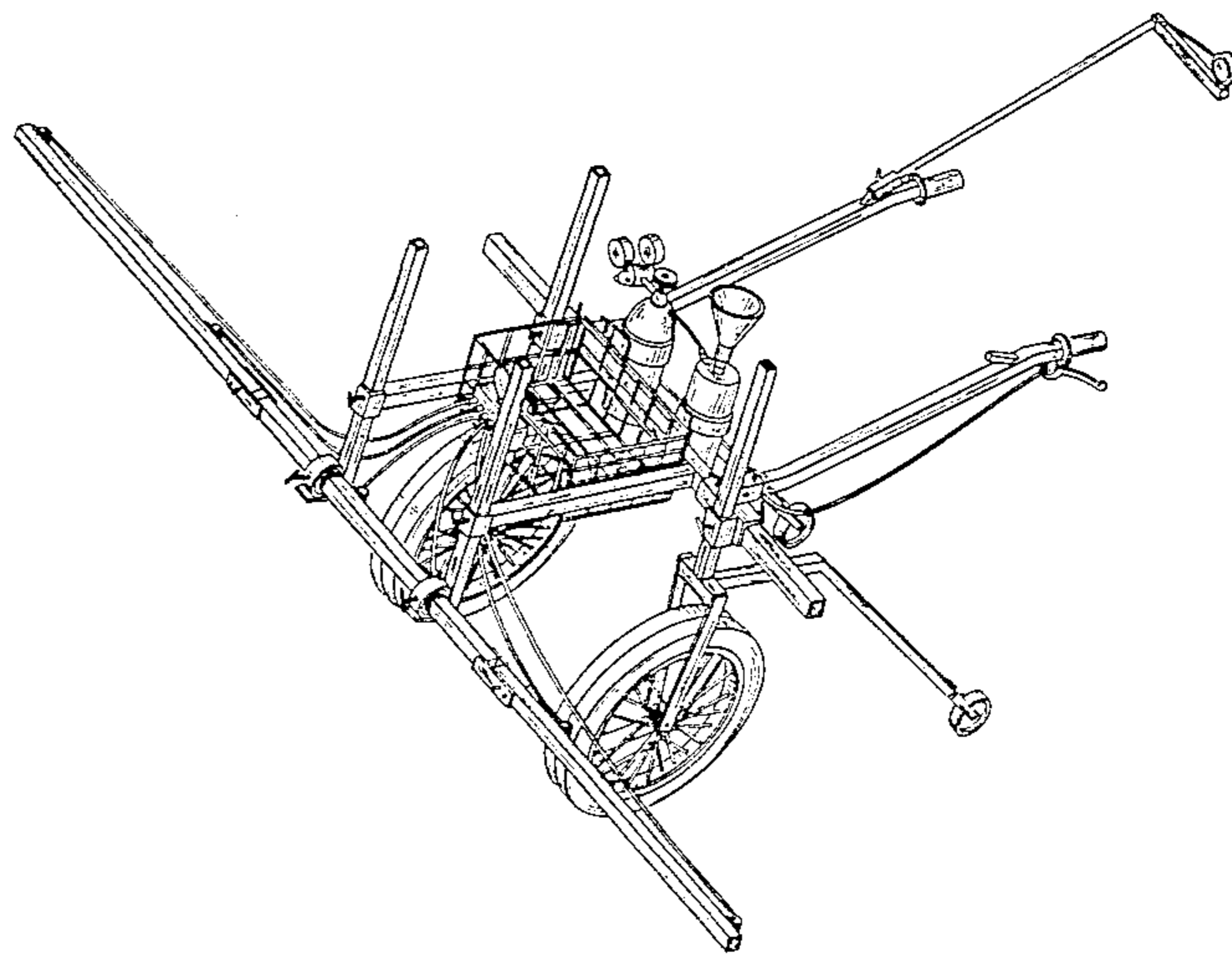
Primary Examiner—B. J. Bullock
Assistant Examiner—Suzanne N. Gitlin
Attorney, Agent, or Firm—Zarley, McKee, Thomte, Voorhees & Sease

[57] CLAIM

The ornamental design for an adjustable agricultural sprayer, or similar article, substantially as described as shown.

DESCRIPTION

FIG. 1 is a perspective view of an adjustable agricultural sprayer or similar article showing my new design; FIG. 2 is a reduced top plan view thereof; FIG. 3 is a reduced side elevational view taken from the right of FIG. 1; FIG. 4 is a reduced side elevational view taken from the left of FIG. 1; FIG. 5 is a reduced front elevational view thereof; FIG. 6 is a reduced rear elevational view thereof; FIG. 7 is a reduced bottom plan view thereof.



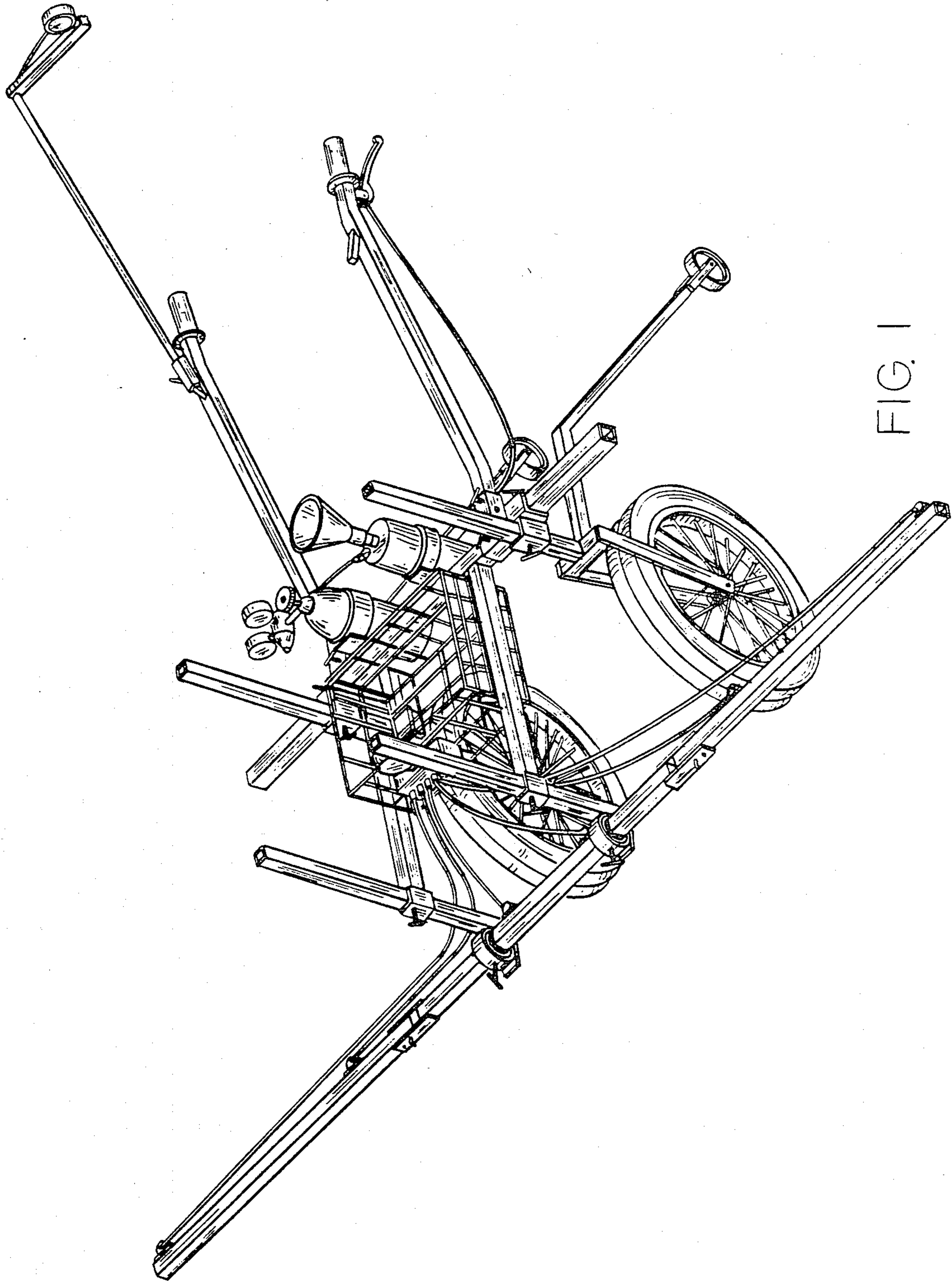


FIG. 1

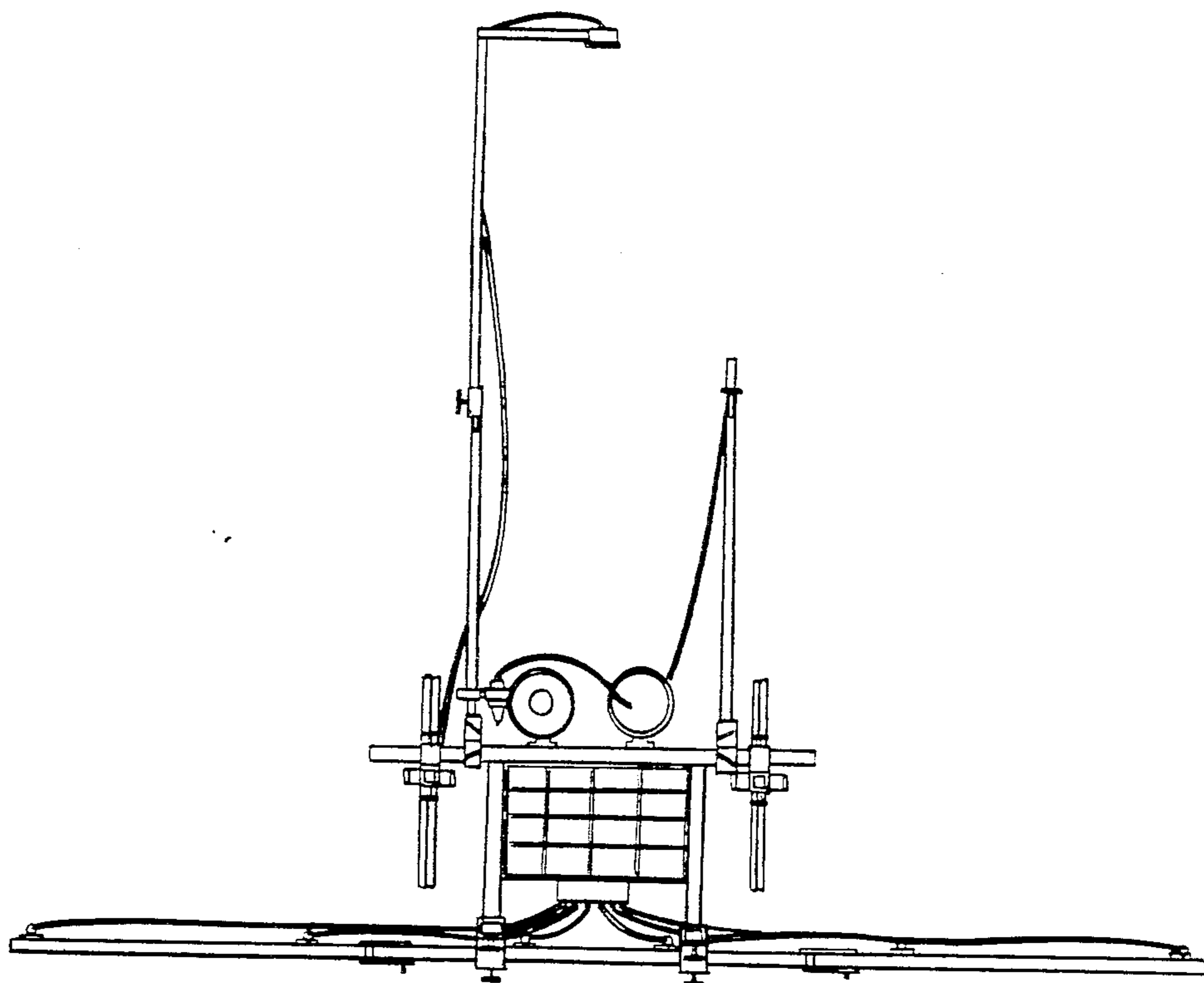


FIG. 2

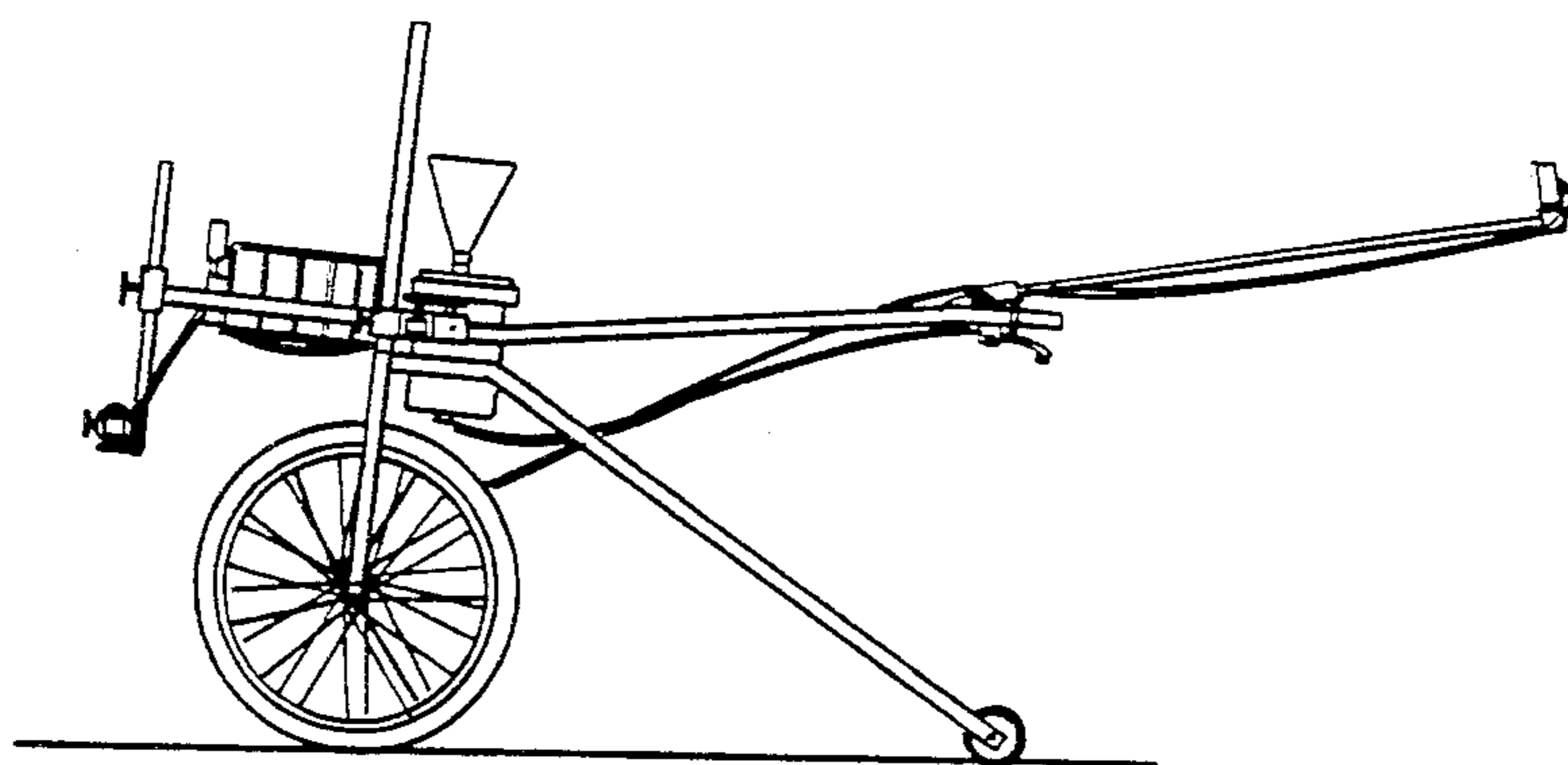


FIG. 3

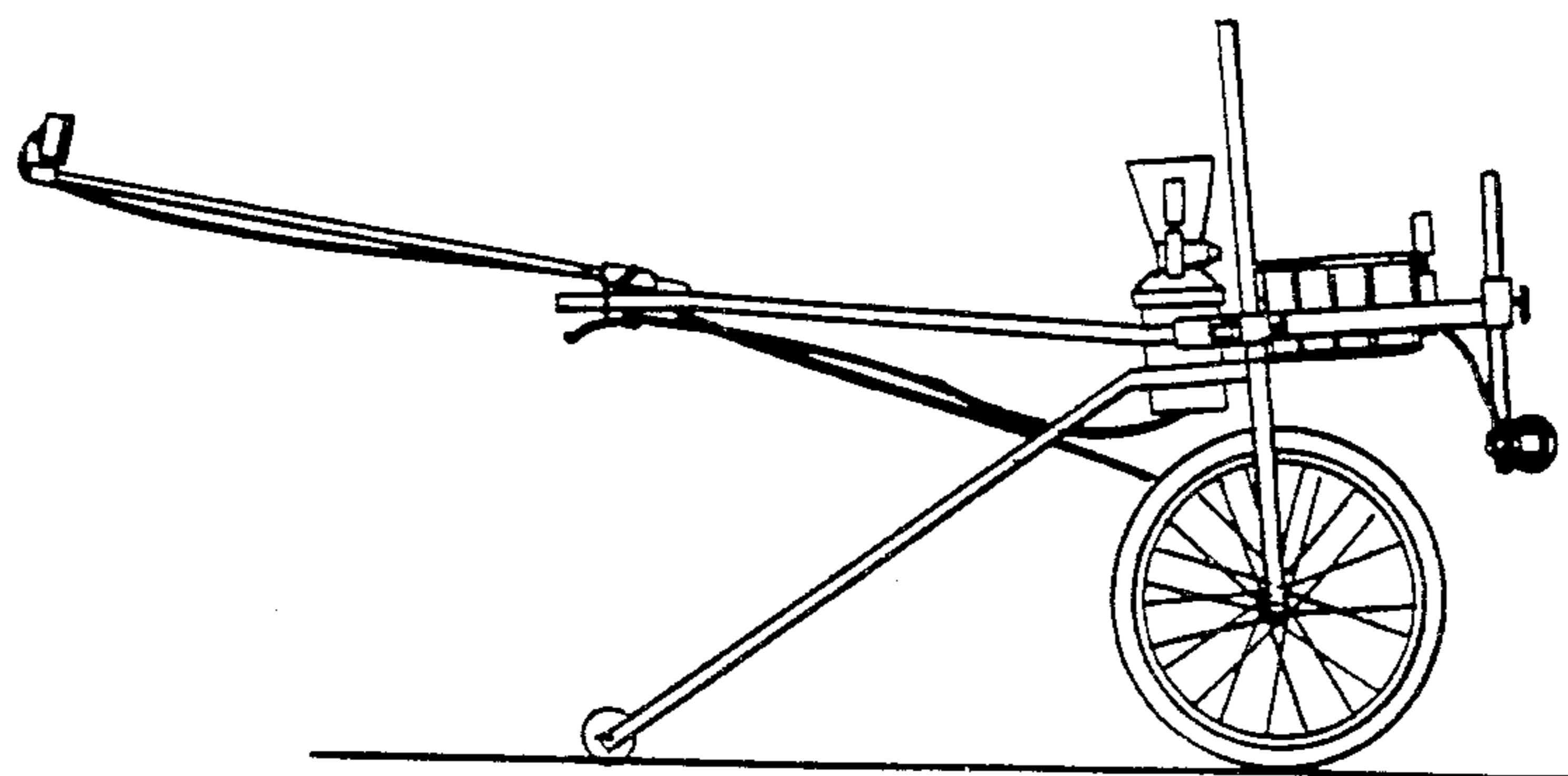


FIG. 4

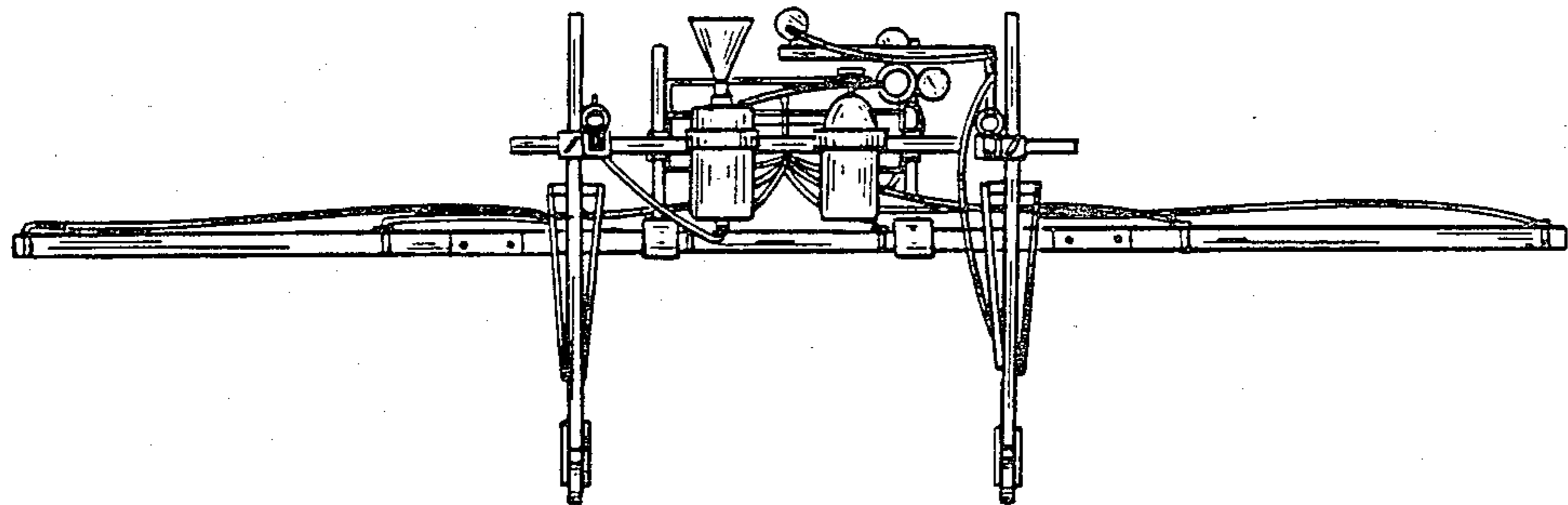


FIG. 5

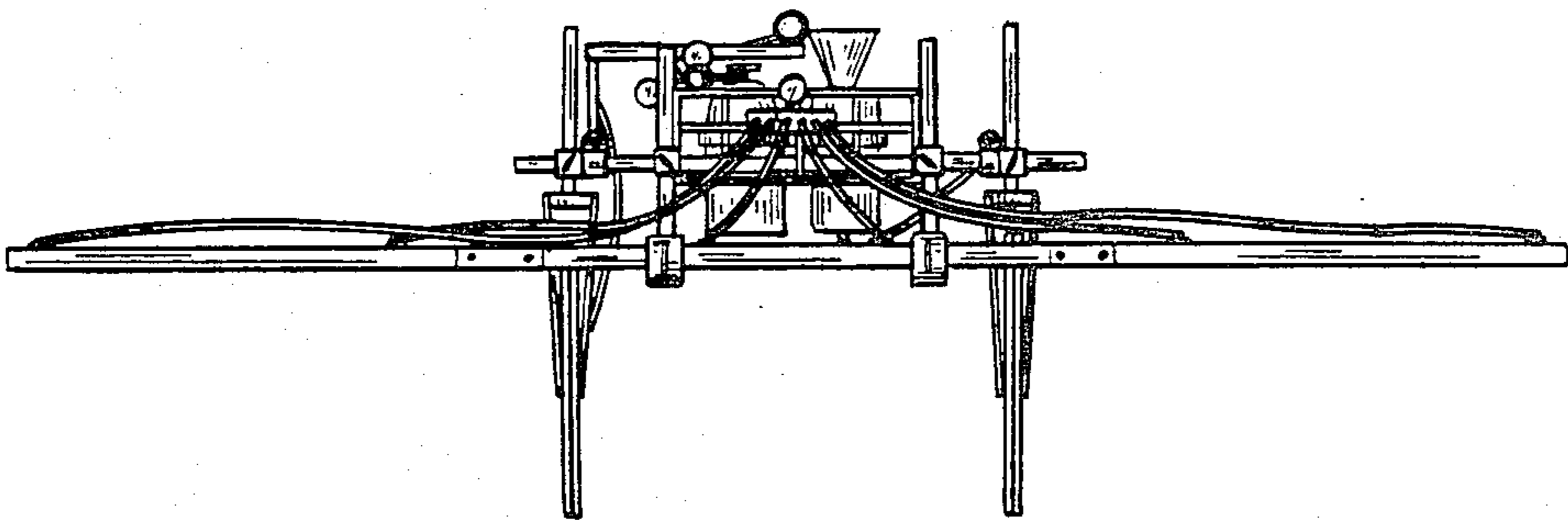


FIG. 6

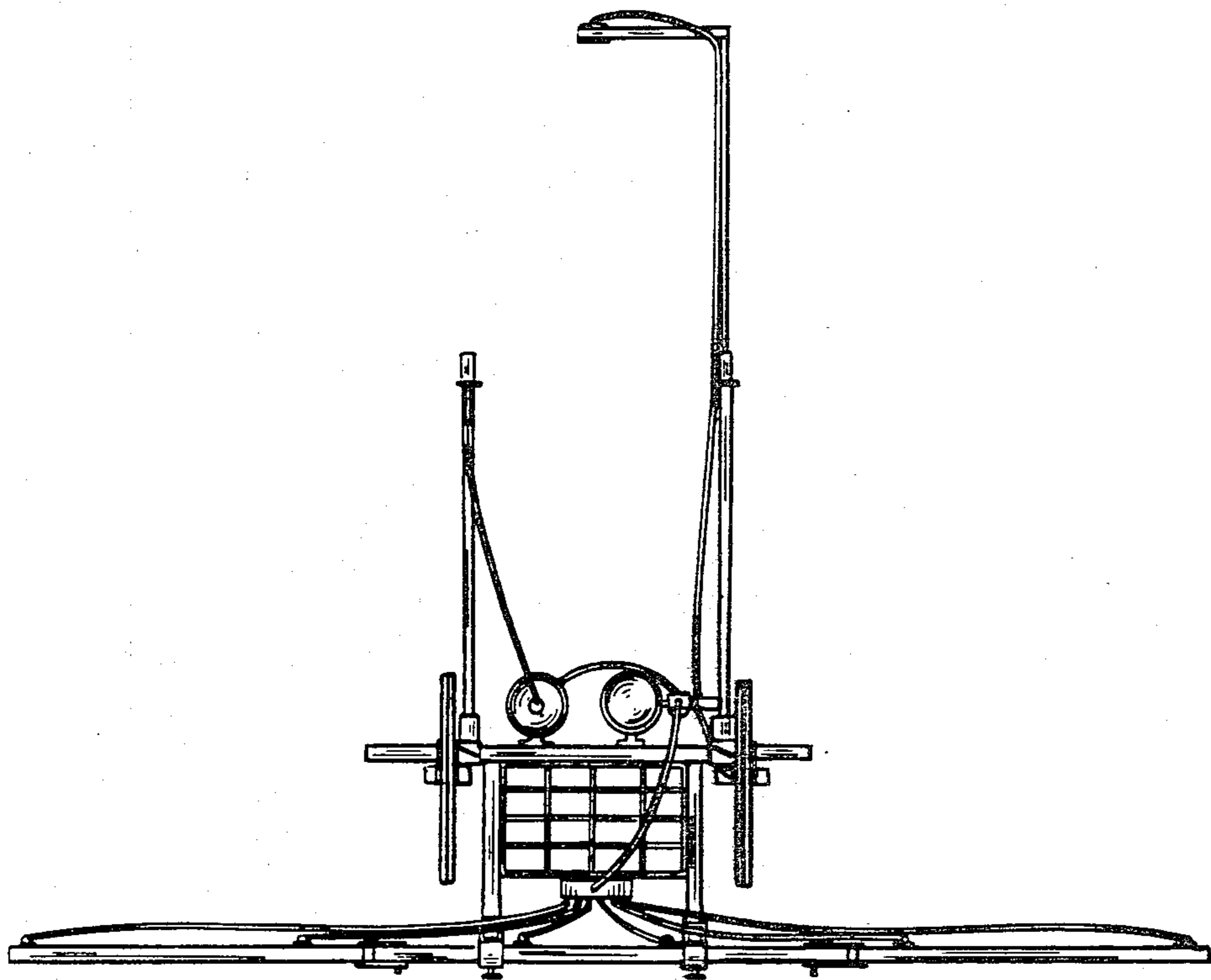


FIG. 7