

[54] PUMP HOUSING

[75] Inventor: Douglas J. Bingler, Furlong, Pa.

[73] Assignee: Milton Roy Company, St. Petersburg, Fla.

[\*\*] Term: 14 Years

[21] Appl. No.: 573,102

[22] Filed: Jan. 23, 1984

[52] U.S. Cl. .... D15/7

[58] Field of Search ..... D15/7, 9; 417/40

[56] References Cited

U.S. PATENT DOCUMENTS

2,927,174	3/1960	Walshin .....	417/40
2,930,867	3/1960	Nash .....	417/40
3,005,068	10/1961	Pollack .....	417/40

Primary Examiner—Wallace R. Burke

Assistant Examiner—Lynn Wilder

Attorney, Agent, or Firm—Woodcock Washburn Kurtz Mackiewicz & Norris

[57] CLAIM

The ornamental design for a pump housing, as shown and described.

DESCRIPTION

FIG. 1 is a perspective view of the pump housing showing my new design;

FIG. 2 is a front elevational view thereof;

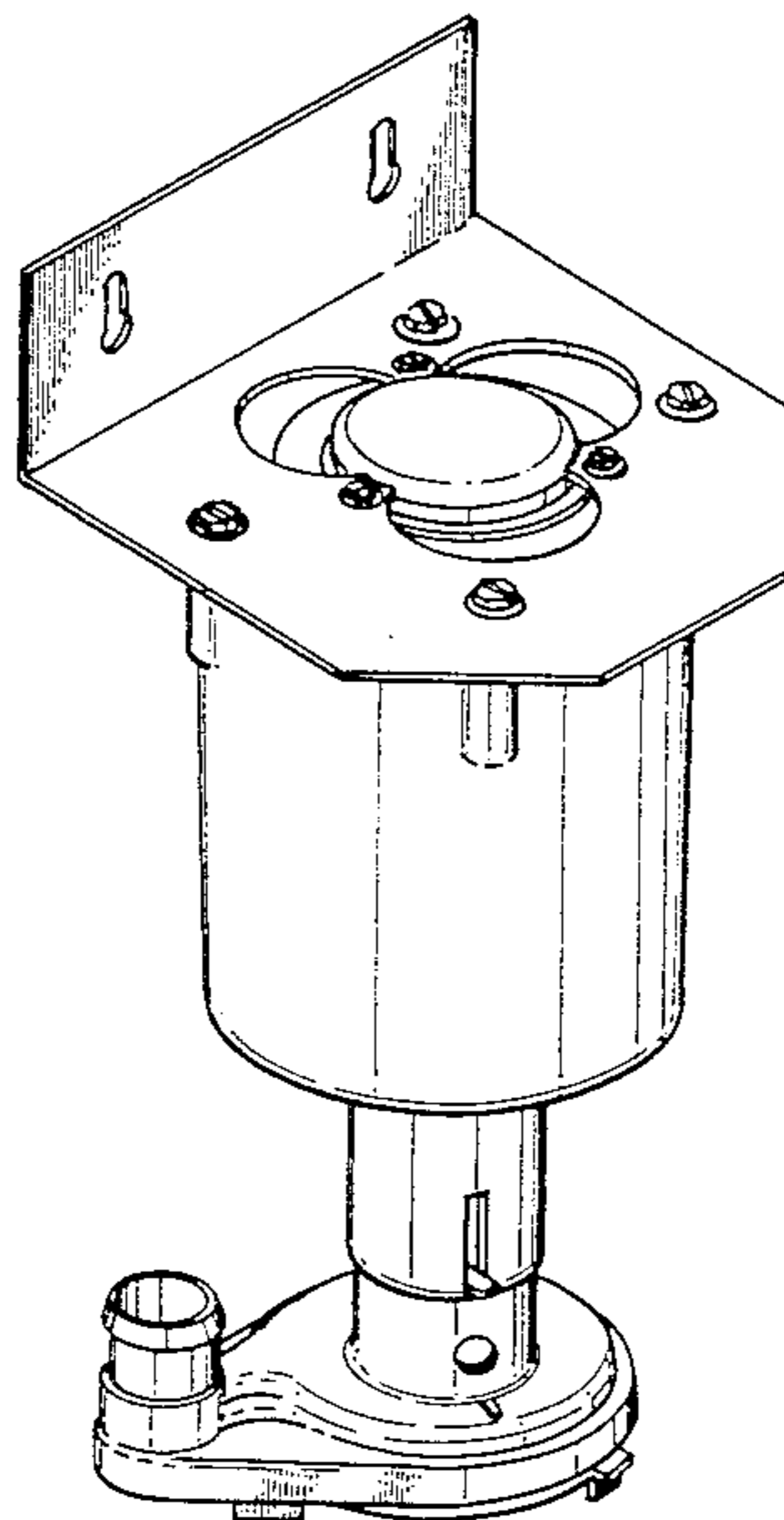
FIG. 3 is a rear elevational view thereof;

FIG. 4 is a left side elevational view thereof;

FIG. 5 is a right side elevational view thereof;

FIG. 6 is a top plan view thereof; and

FIG. 7 is a bottom plan view thereof.



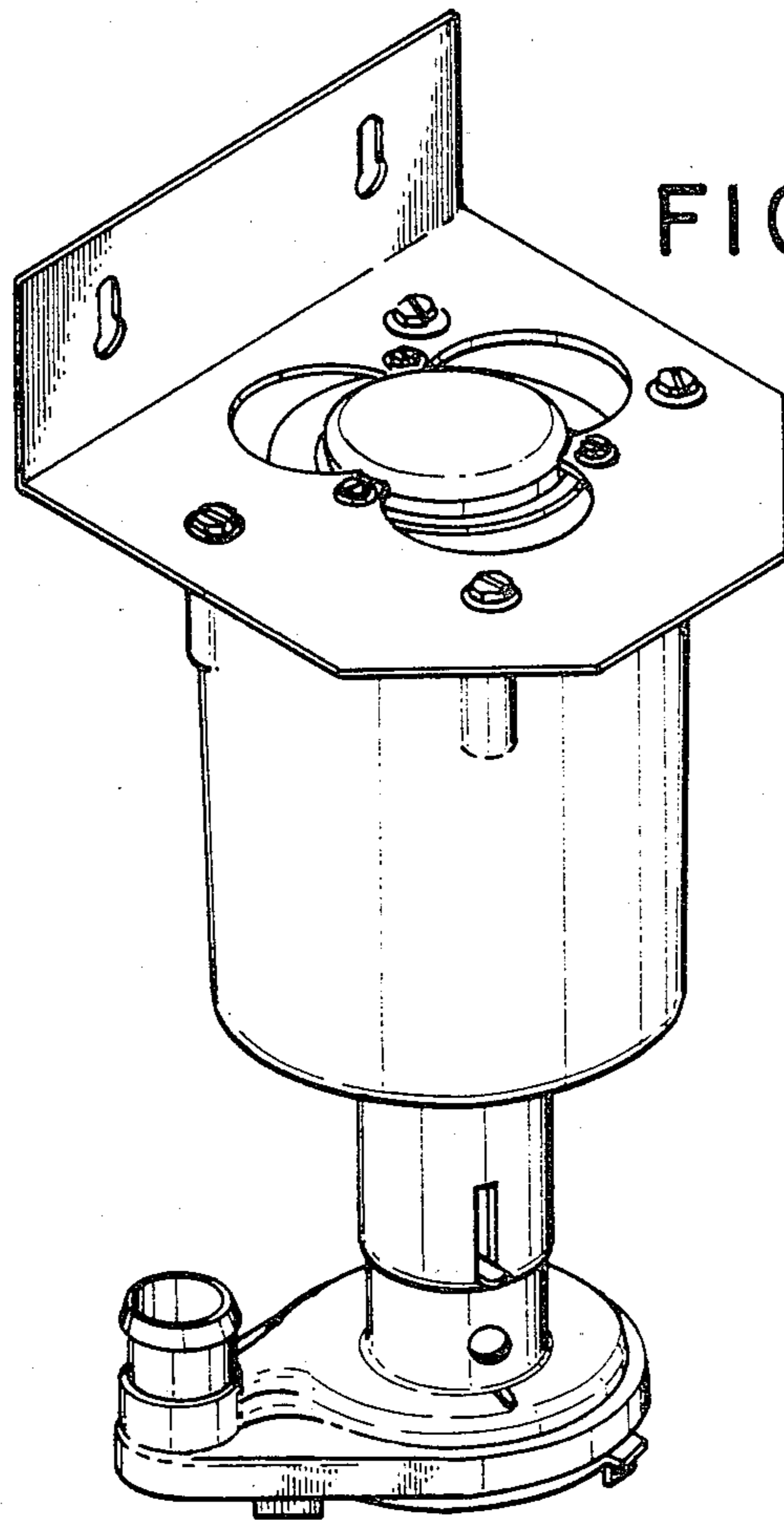


FIG. 1

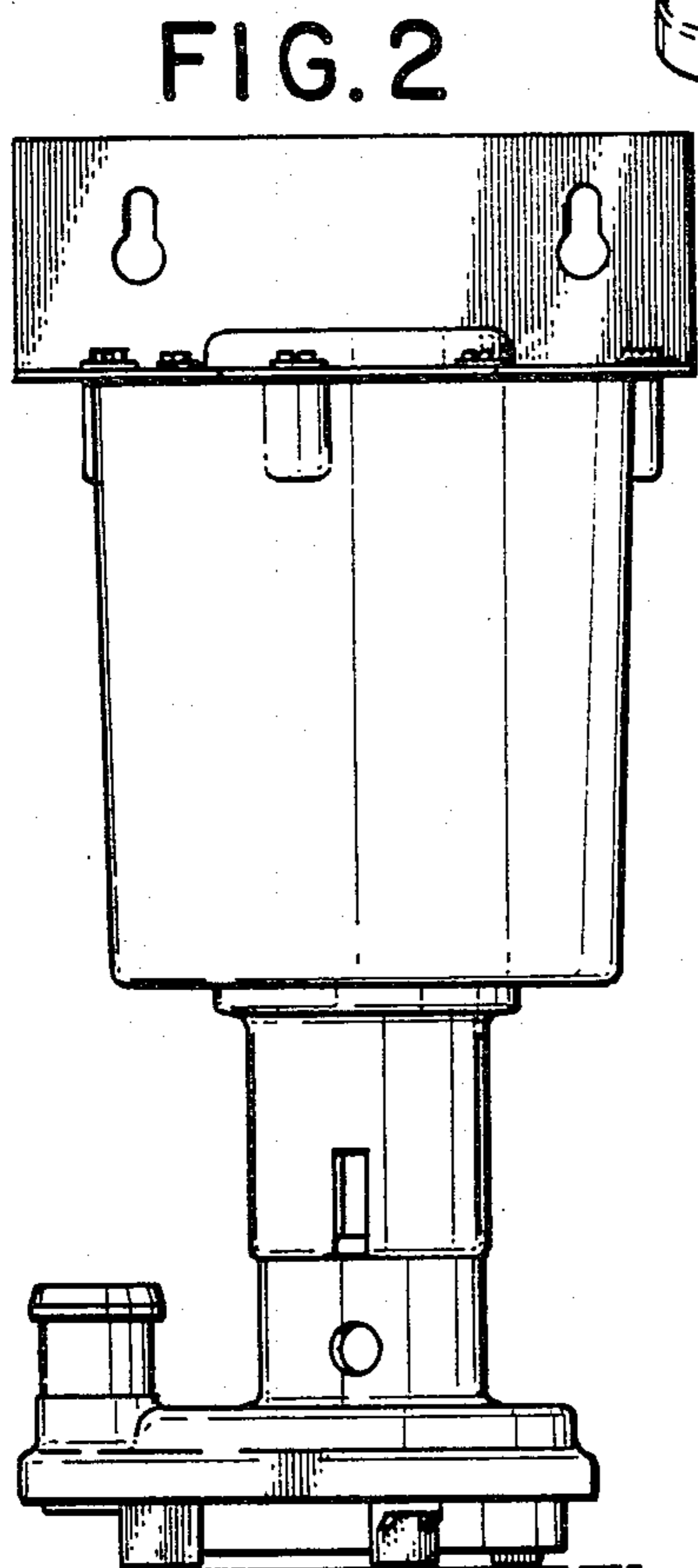


FIG. 2

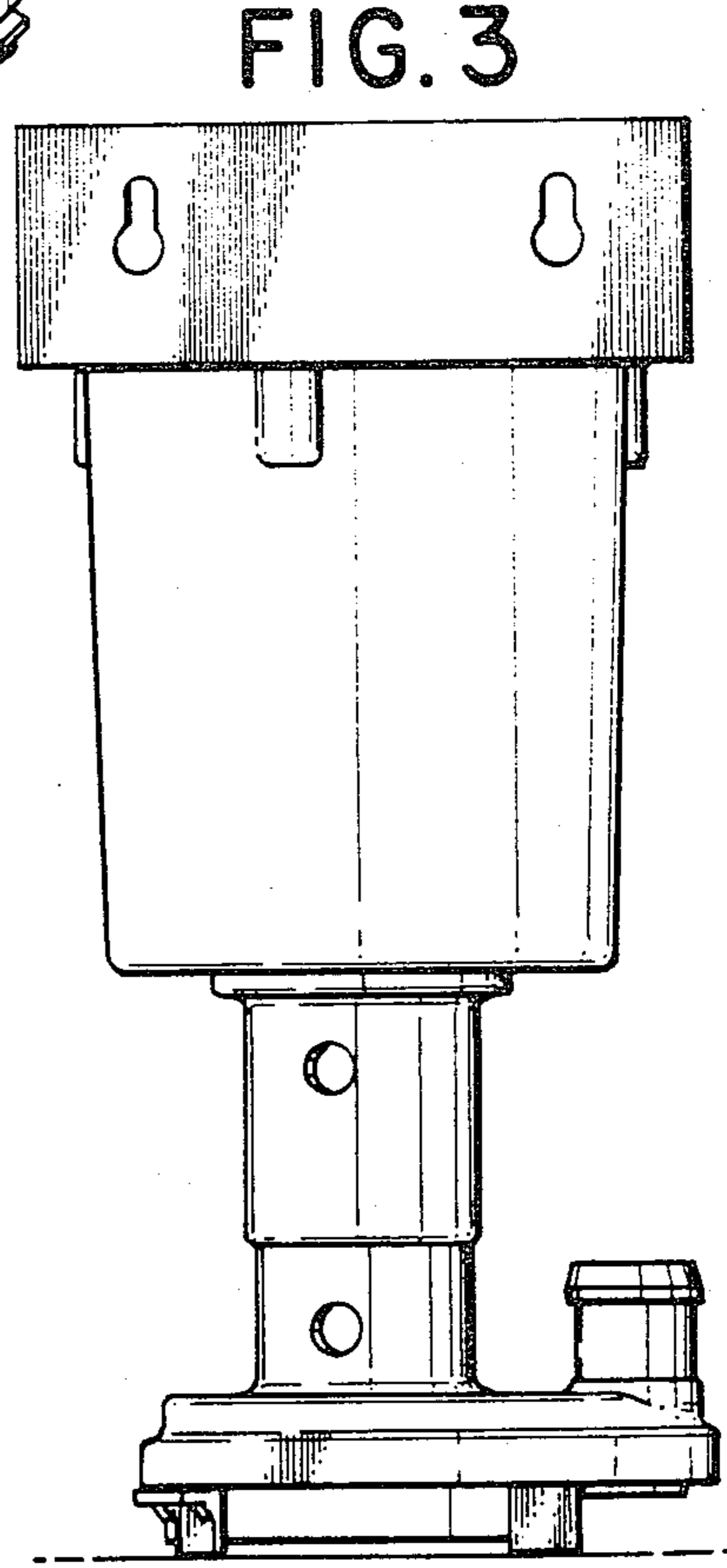


FIG. 3

