

[54] CURTAIN TRACK  
[75] Inventors: Terence A. Cox; Paul M. Johnson; Philip C. Horton, all of Tamworth, England

[73] Assignee: Swish Products Limited, Staffordshire, England

[\*\*] Term: 14 Years

[21] Appl. No.: 529,996

[22] Filed: Sep. 7, 1983

[30] Foreign Application Priority Data

Jun. 9, 1983 [GB] United Kingdom ..... 1013490

[52] U.S. Cl. .... D8/377; D25/74

[58] Field of Search ..... D8/377; D25/74; 16/87 R, 96 R, 95 D, 96 D

[56] References Cited

U.S. PATENT DOCUMENTS

- D. 231,326 4/1974 Miki ..... D8/377
- D. 232,910 9/1974 Duperrex ..... 16/94 D
- 2,727,272 12/1955 Hankin et al. .

- 3,183,546 5/1965 Heller et al. .... 16/94 D
- 3,346,227 10/1967 Hankin .
- 3,697,035 10/1972 Baker, Sr. .... 16/95 D
- 3,705,439 12/1972 Cooksey et al. .
- 3,881,218 5/1975 Palmer .
- 4,299,008 11/1981 Burns ..... 16/95 D

FOREIGN PATENT DOCUMENTS

- 1427623 3/1976 United Kingdom .
- 1000616 6/1983 United Kingdom .
- 1000617 6/1983 United Kingdom .

Primary Examiner—B. J. Bullock  
Attorney, Agent, or Firm—Kenway & Jenney

[57] CLAIM

The ornamental design for a curtain track, as shown.

DESCRIPTION

FIG. 1 is a perspective view of a curtain track showing our new design;  
FIG. 2 is an enlarged sectional view taken on line 2—2 of FIG. 1.  
The curtain track is of indefinite length and constant cross-section.

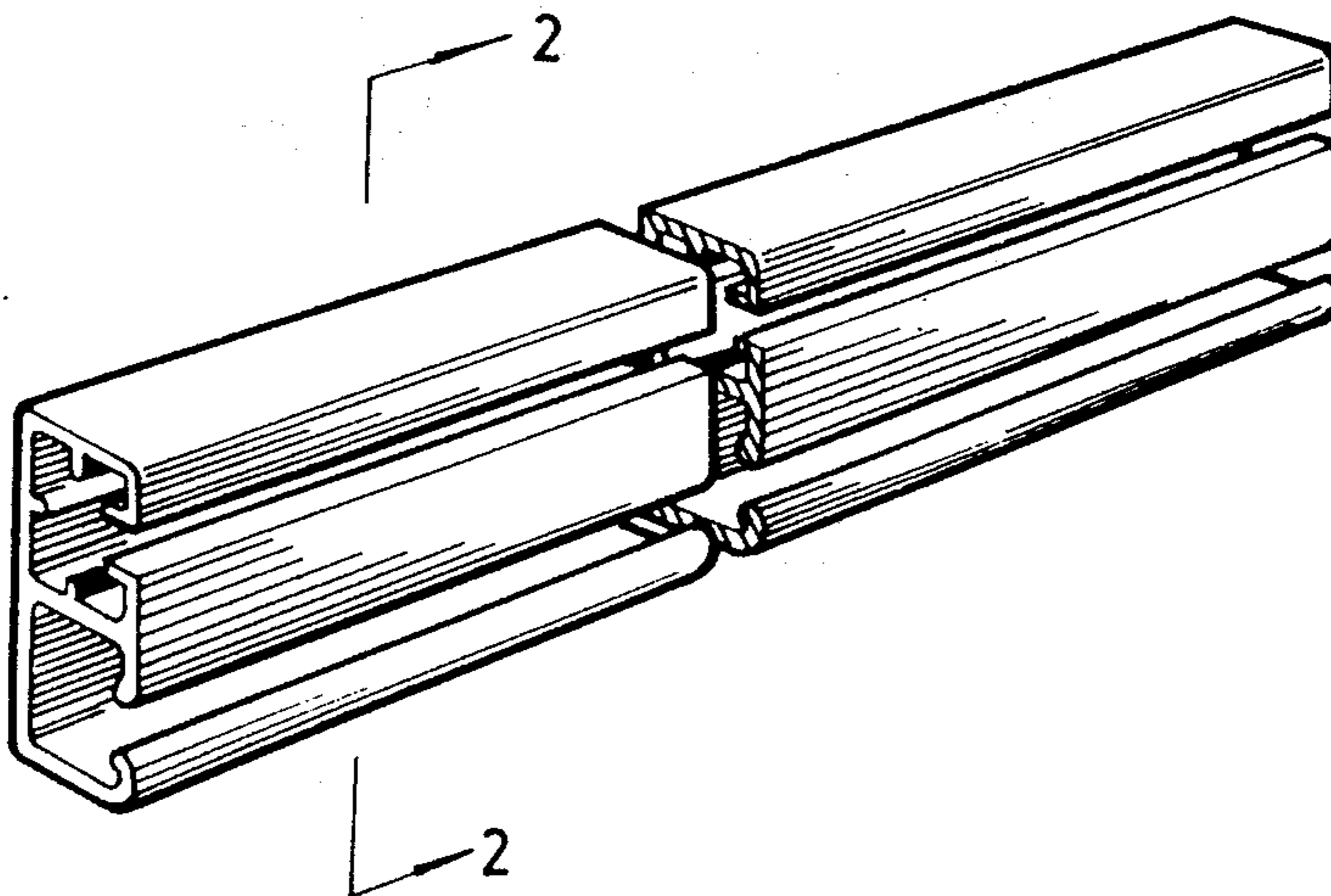


FIG 2

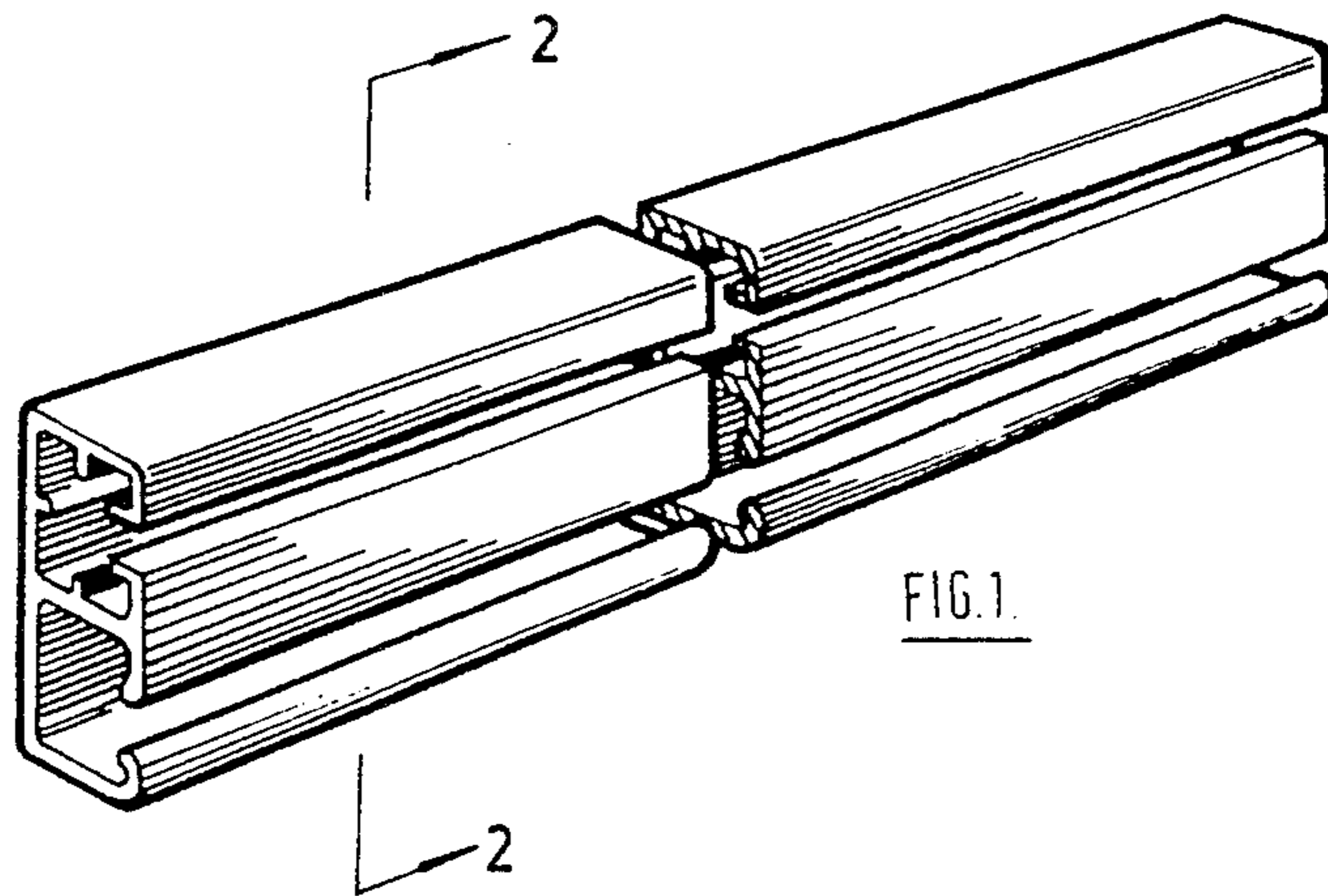
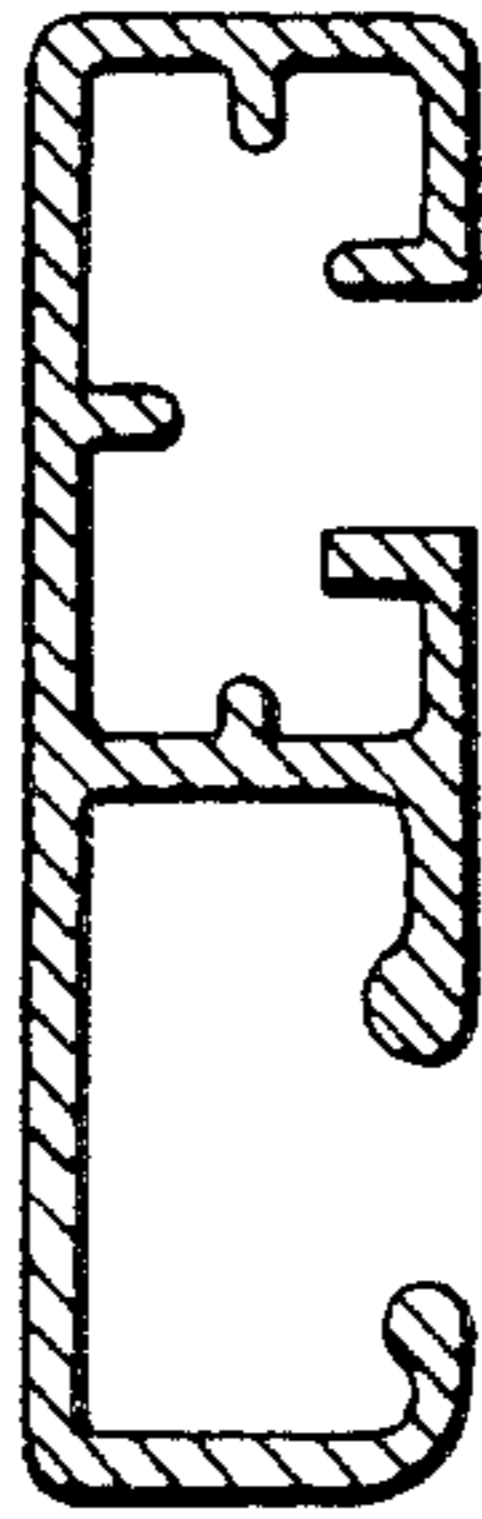


FIG. 1