

[54] PORTABLE GRILL

[75] Inventor: Don R. McNiel, Alvarado, Tex.

[73] Assignee: McNiel Enterprises Inc., Alvarado, Tex.

[**] Term: 14 Years

[21] Appl. No.: 643,558

[22] Filed: Aug. 23, 1984

[52] U.S. Cl. D7/332

[58] Field of Search D7/323, 327, 331-348, D7/352-355, 357-359, 361-362, 364, 387-388, 402-403, 405-406, 408-409; D32/82; 312/236; 219/386; 99/386, 401, 419, 421-427, 443-450; 126/4, 19 R, 27-28, 25 A, 25 AA, 25 B, 25 C, 25 R, 29-30, 9 A-9 B, 9 R

[56] References Cited

U.S. PATENT DOCUMENTS

- D. 243,310 2/1977 Heberling D7/337
- D. 265,881 8/1982 Bell et al. D7/337
- 2,902,026 9/1959 Hathorn, Jr. 126/25 R
- 4,170,173 10/1979 Bradford 99/446

OTHER PUBLICATIONS

Electrical Merchandising Week, Jul. 10, 1961, p. 20, Royal Chef Grill.

Home Furnishings Daily, Feb. 12, 1962, p. 22, Big Boy Grill.

Primary Examiner—Catherine E. Kemper

Assistant Examiner—Ruth Takemoto

Attorney, Agent, or Firm—Peter J. Murphy

[57] CLAIM

The ornamental design for a portable grill, as shown.

DESCRIPTION

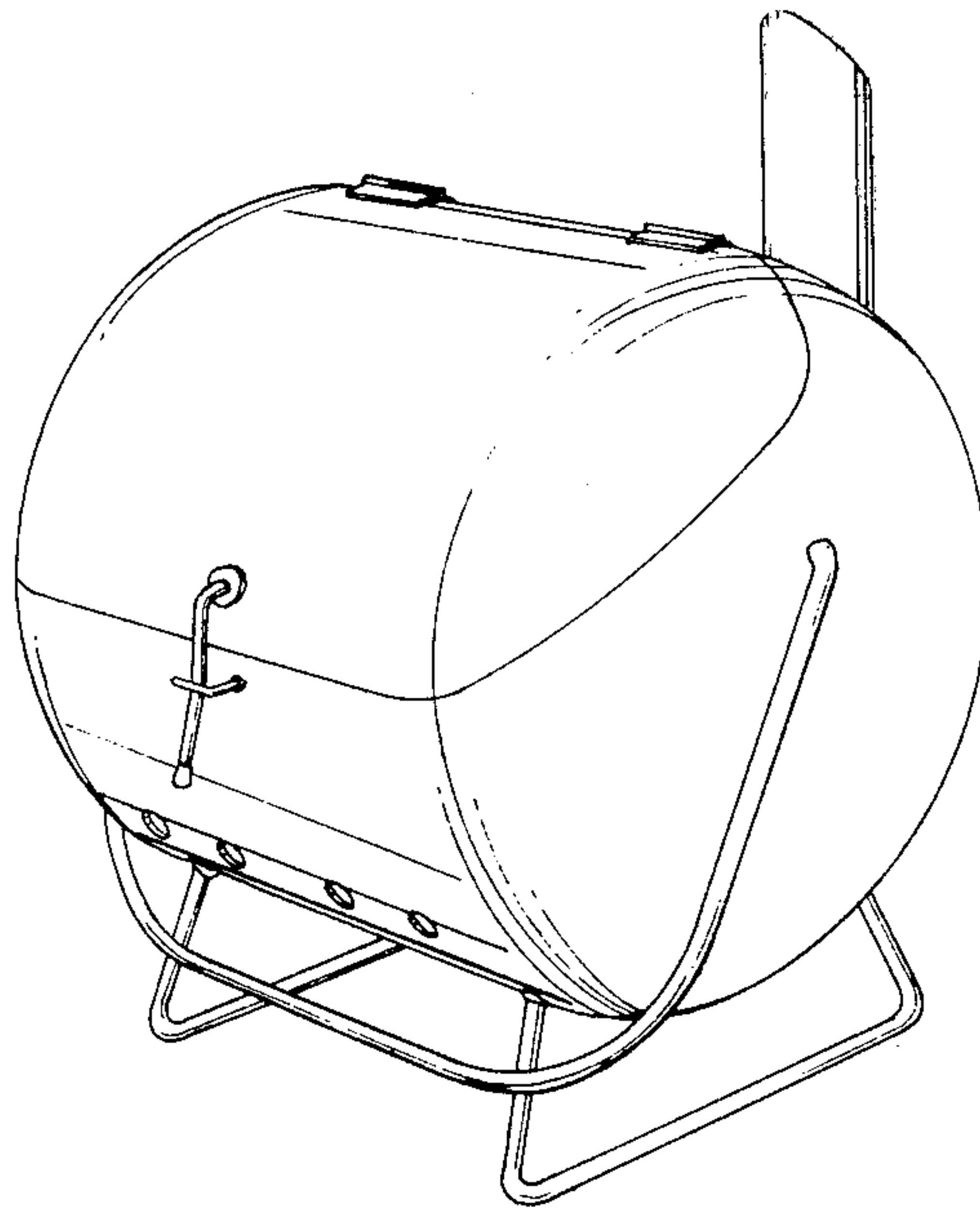
FIG. 1 is a front perspective view of the portable grill, with the cover closed and with the handle lowered;

FIG. 2 is a front elevation thereof with the handle raised;

FIG. 3 is a side elevation thereof, with the handle raised;

FIG. 4 is a rear elevation thereof, with the handle raised;

FIG. 5 is a front perspective view of the portable grill of FIG. 1, but with the cover open and with the handle lowered.



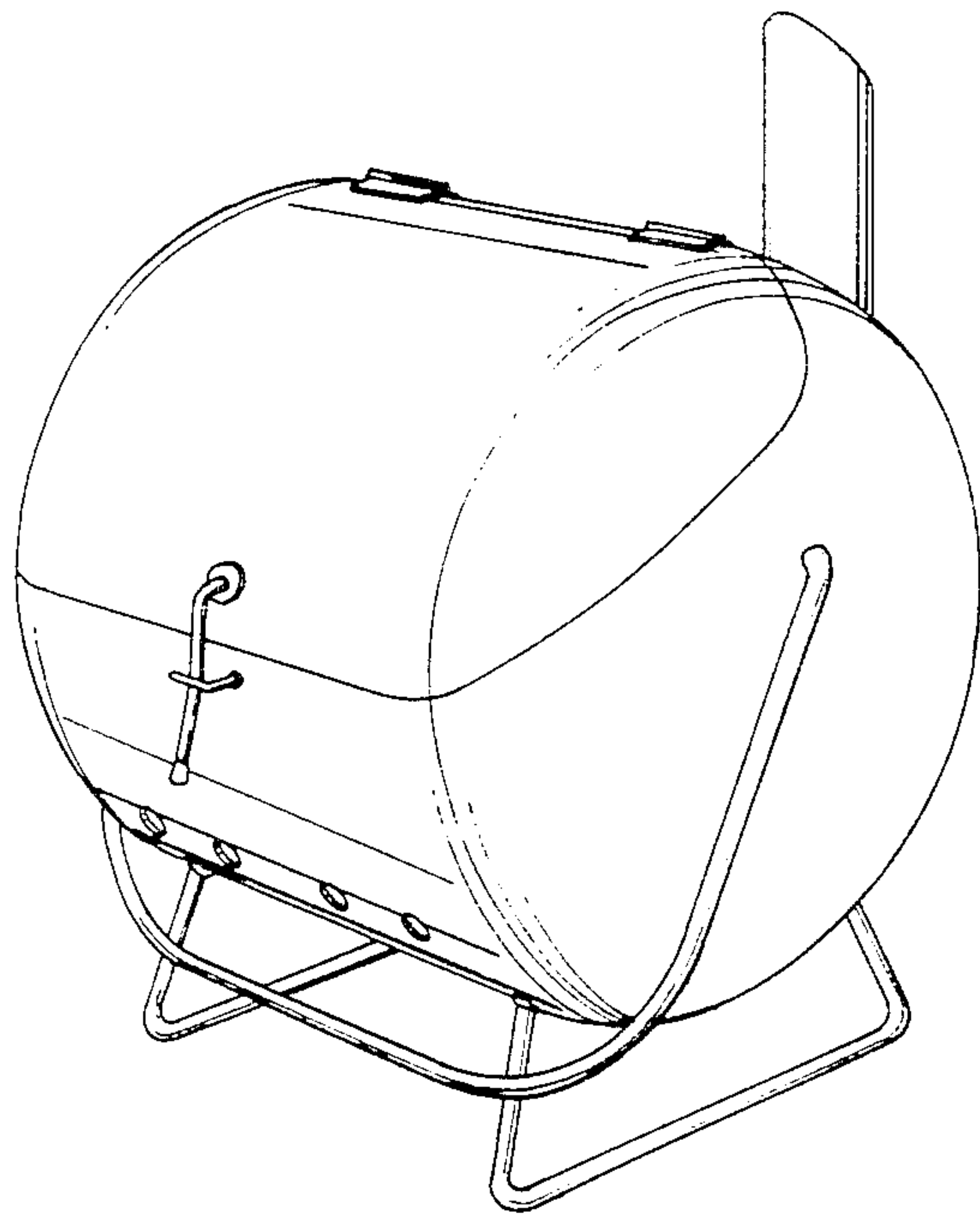


Fig. 1

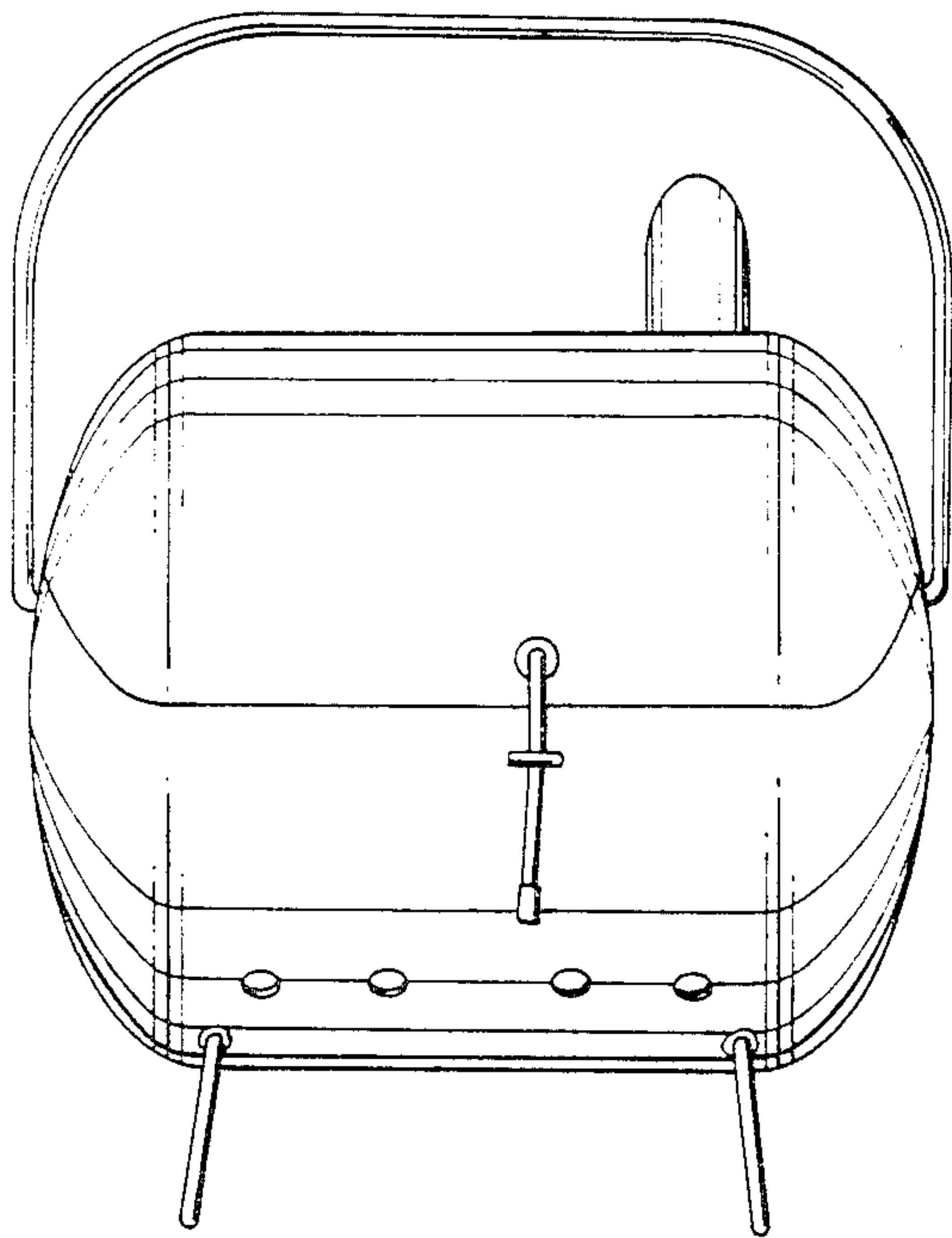


Fig. 2

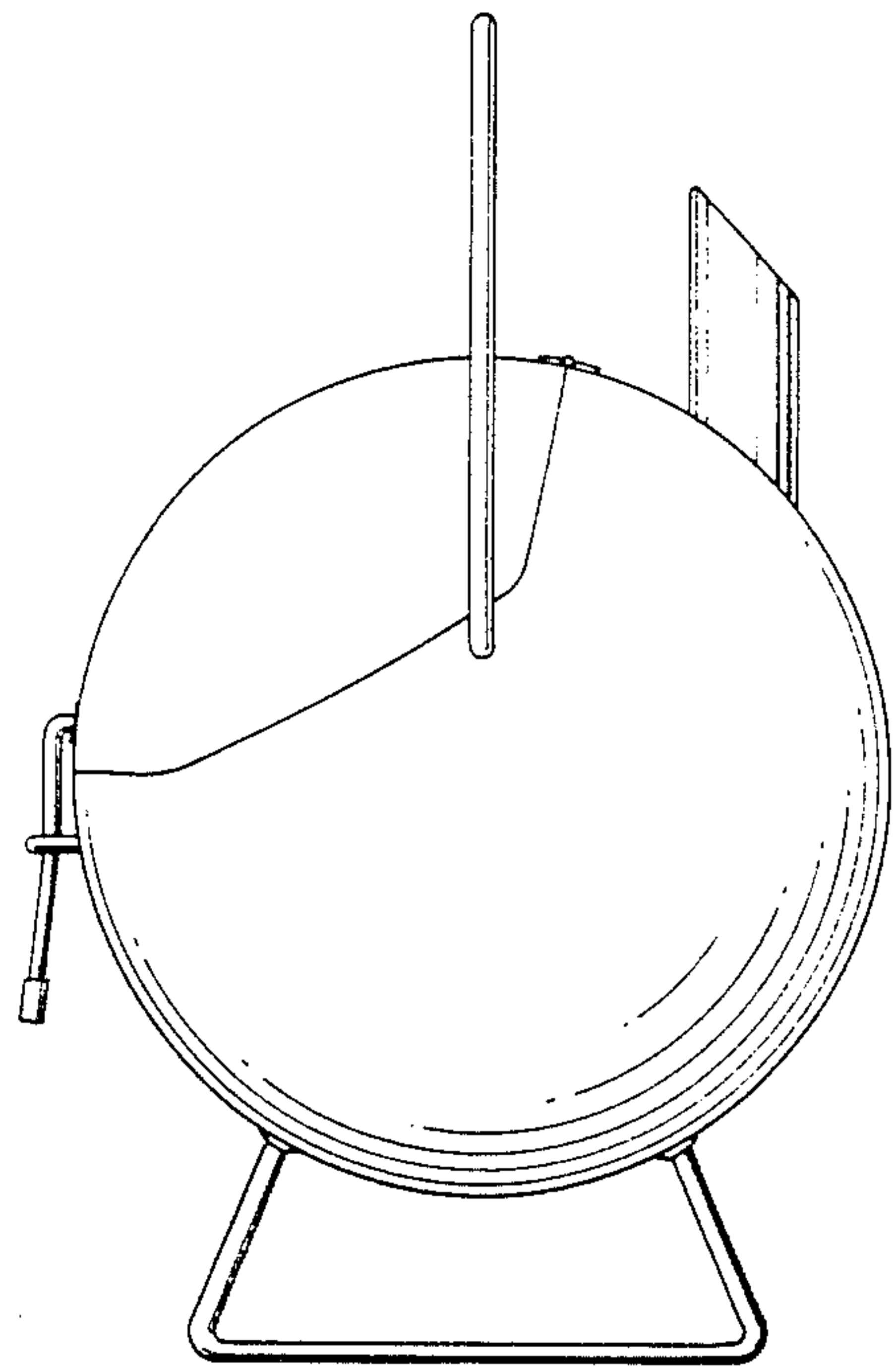


Fig. 3

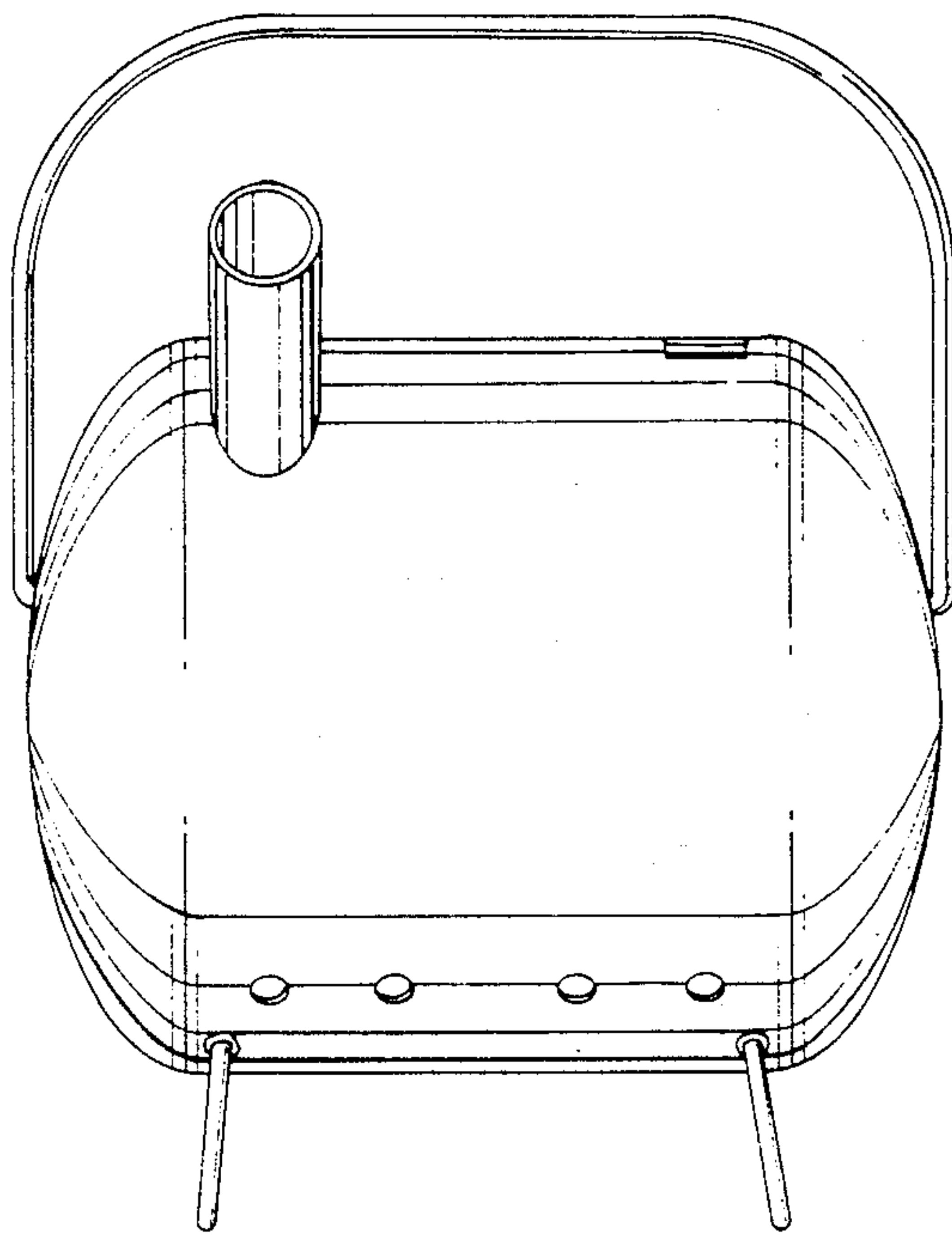


Fig. 4

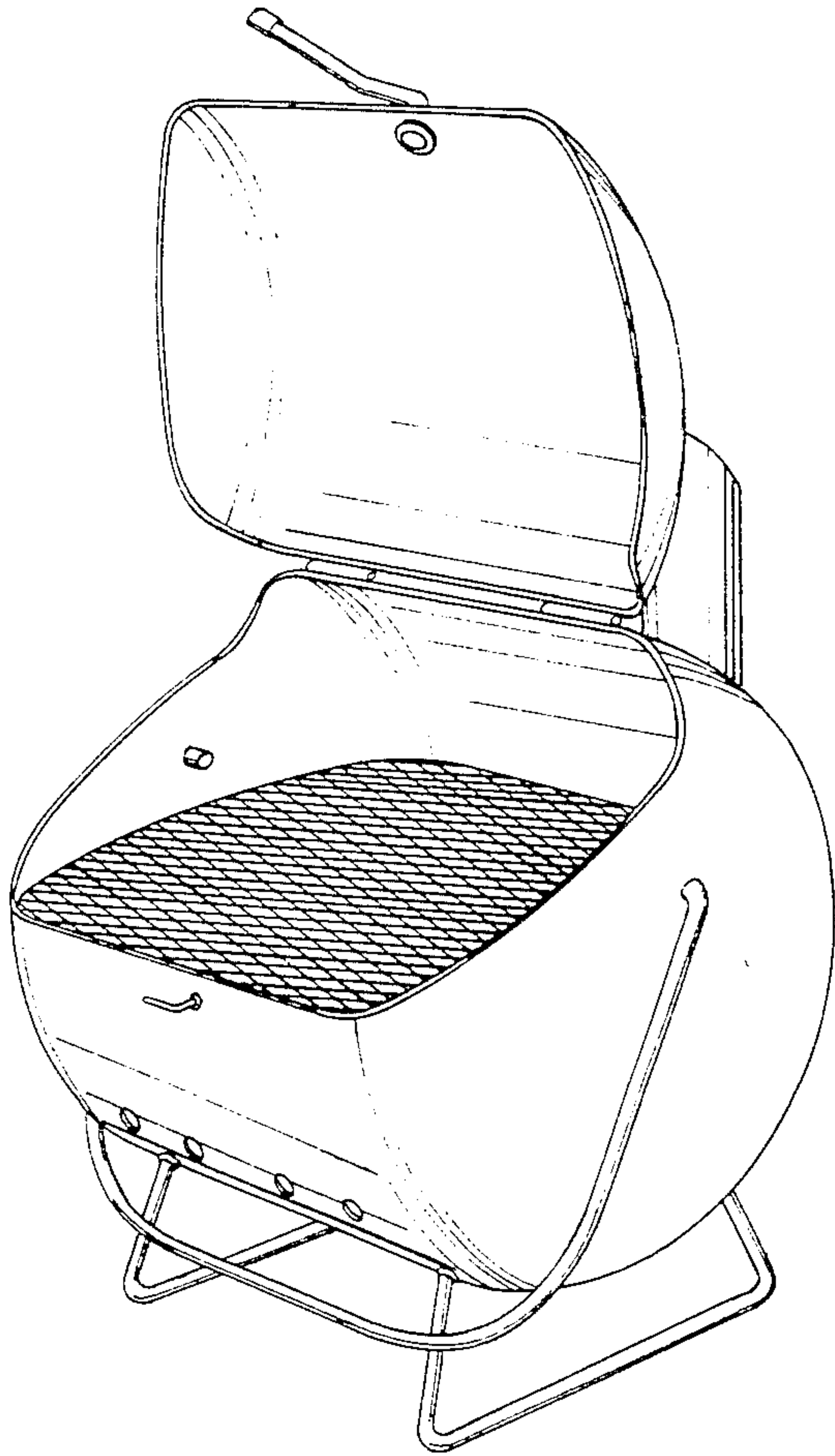


Fig. 5