

[54] MUG OR SIMILAR ARTICLE

[75] Inventor: Richard M. Mansueto, North Dighton, Mass.

[73] Assignee: Robert J. Doherty, Barrington, R.I.

[\*\*] Term: 14 Years

[21] Appl. No.: 487,527

[22] Filed: Apr. 22, 1983

[52] U.S. Cl. .... D7/9

[58] Field of Search ..... D7/1, 6, 9, 10, 11, D7/13, 27, 30, 39, 52, 312, 319; D9/375; 220/20, 23.8, 70, 85 D, 90.4, 94 A; 239/33; 428/35; 604/309, 47, 57

[56] References Cited

U.S. PATENT DOCUMENTS

D. 233,973	12/1974	Jensen	.....	D9/375	X
D. 235,182	5/1975	Capron	.....	D7/9	X
D. 242,517	11/1976	Capron	.....	D7/52	X
1,276,018	8/1918	Blaetus	.....	220/85	D
2,141,760	12/1938	Mould	.....	D7/6	X

2,149,612	3/1939	Madsen	.....	220/85	D
2,591,606	4/1952	Reed	.....	D7/6	X
2,646,200	7/1953	Atkins	.....	D7/6	X
2,918,203	12/1959	Hodgson	.....	220/85	D
3,403,618	10/1968	Lagg	.....	D7/39	X
3,754,502	8/1973	Kaufman	.....	D7/39	X

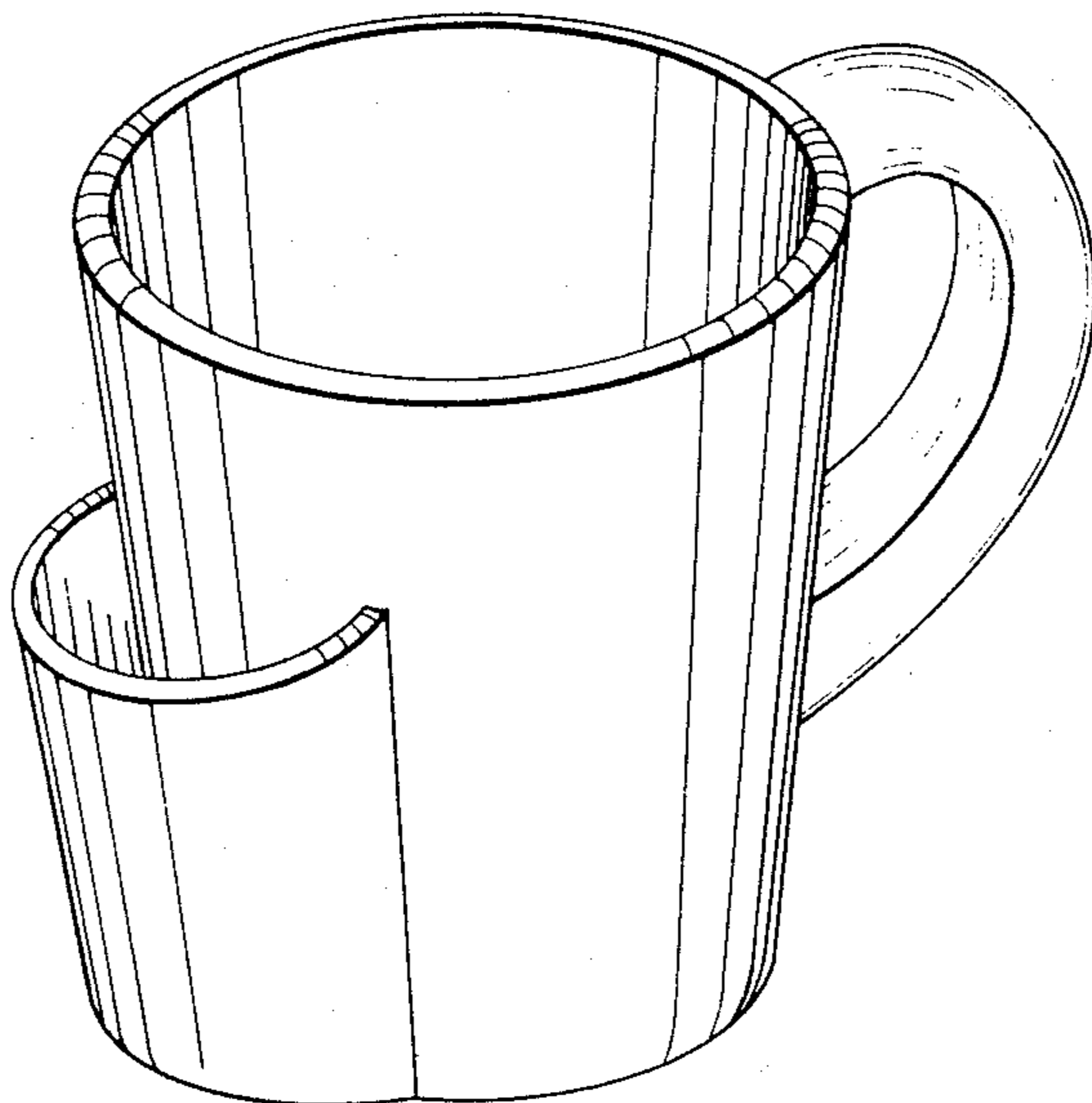
Primary Examiner—Bernard Ansher  
Assistant Examiner—Linda Titolo  
Attorney, Agent, or Firm—Robert J. Doherty

[57] CLAIM

The ornamental design for a mug or similar article, as shown and described.

DESCRIPTION

FIG. 1 is a top perspective view of a mug or similar article showing my new design;  
FIG. 2 is a front elevational view thereof, the rear elevational view being a mirror image thereof;  
FIG. 3 is a right side elevational view thereof;  
FIG. 4 is a left side elevational view thereof;  
FIG. 5 is a top plan view thereof; and  
FIG. 6 is a bottom plan view thereof.



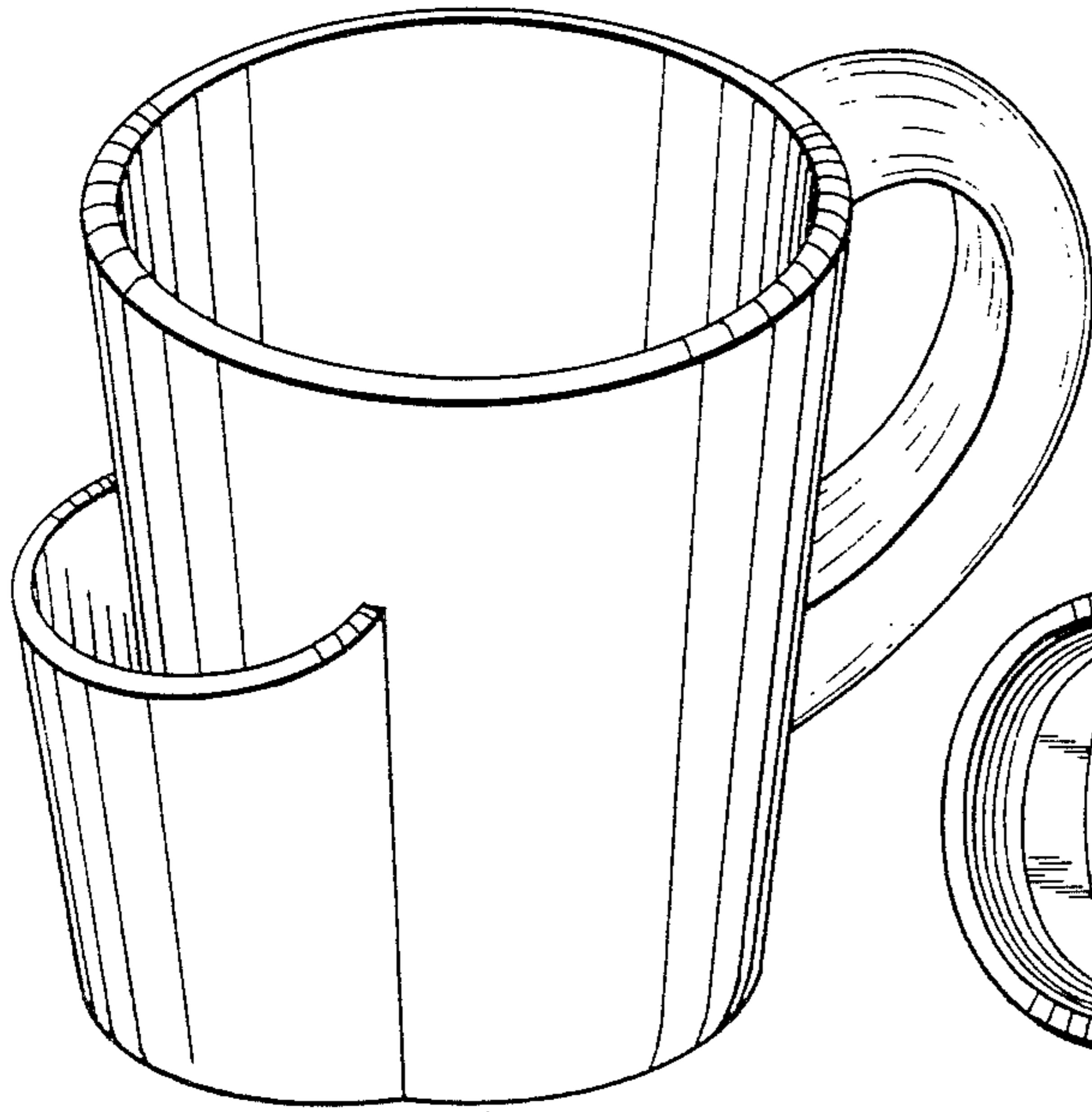


FIG. 1

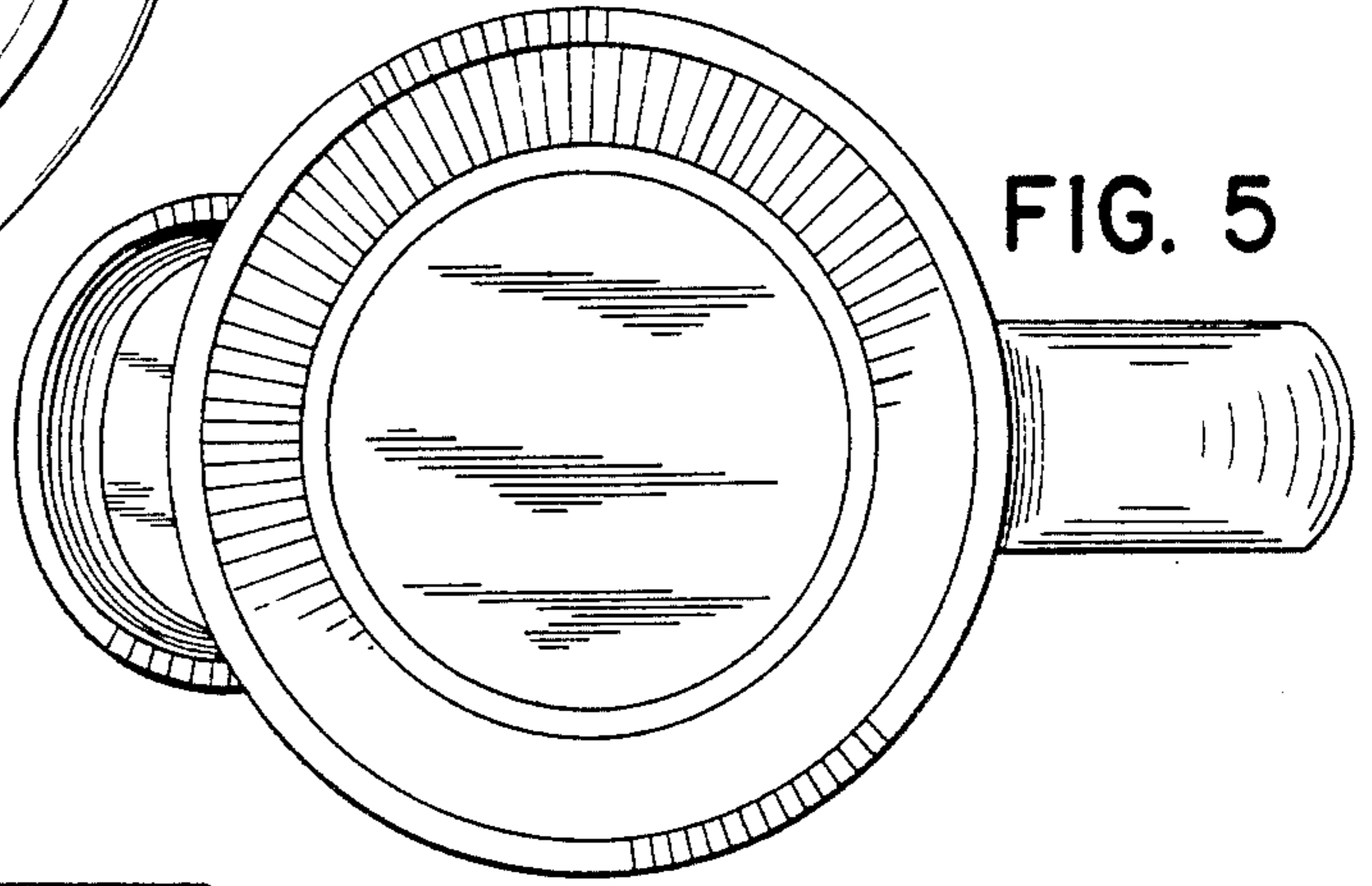


FIG. 5

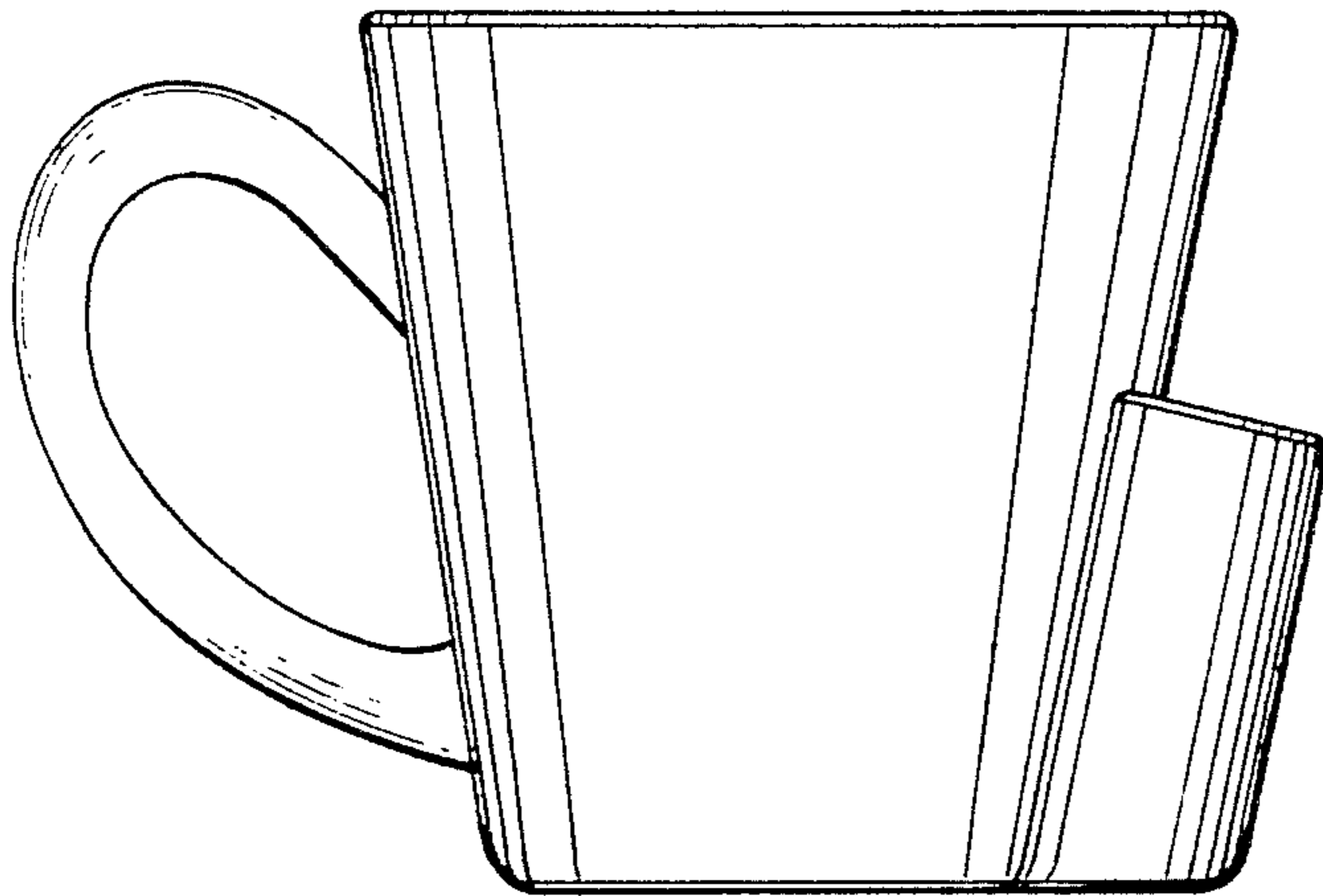


FIG. 2

FIG. 4

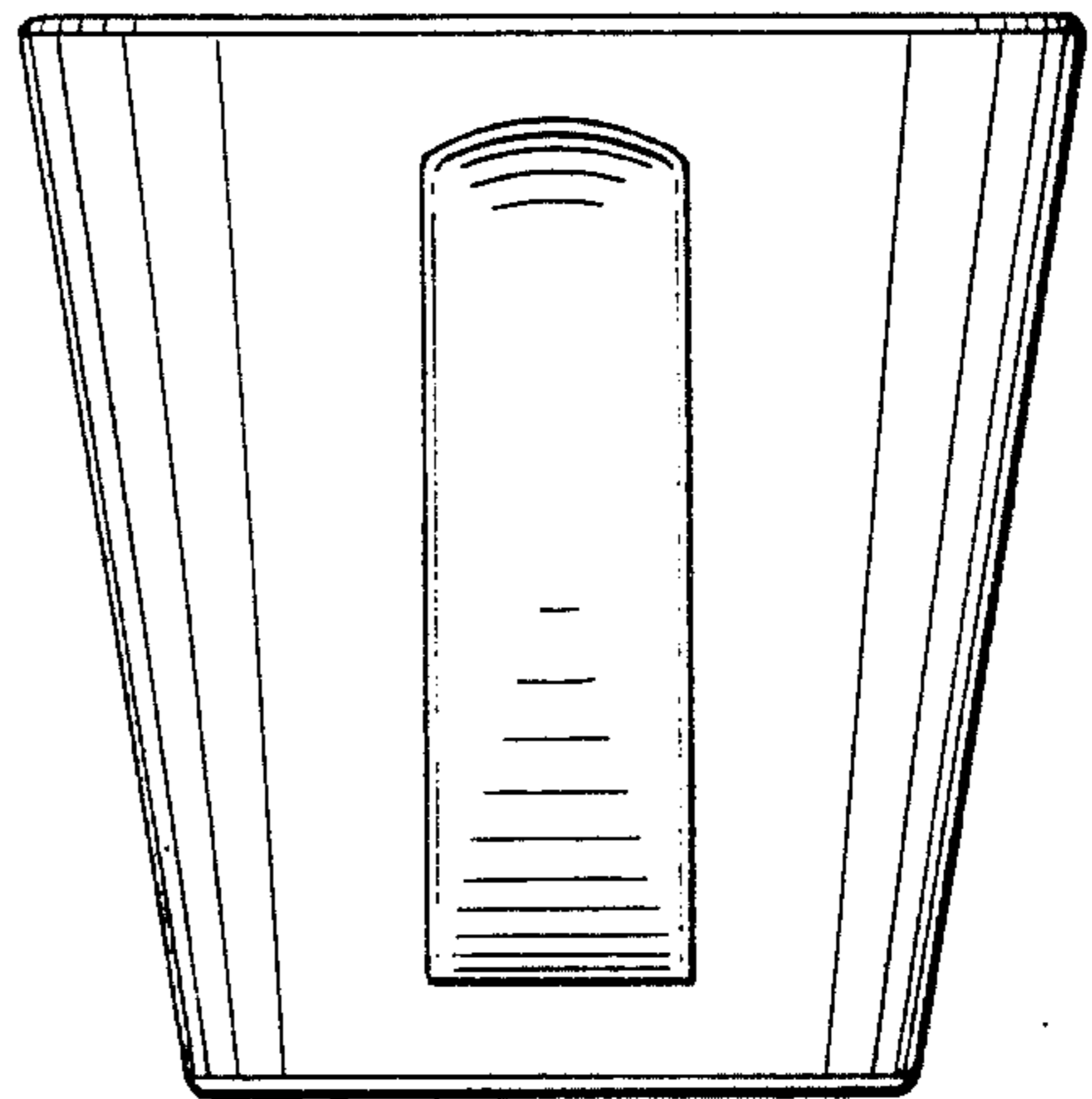


FIG. 3

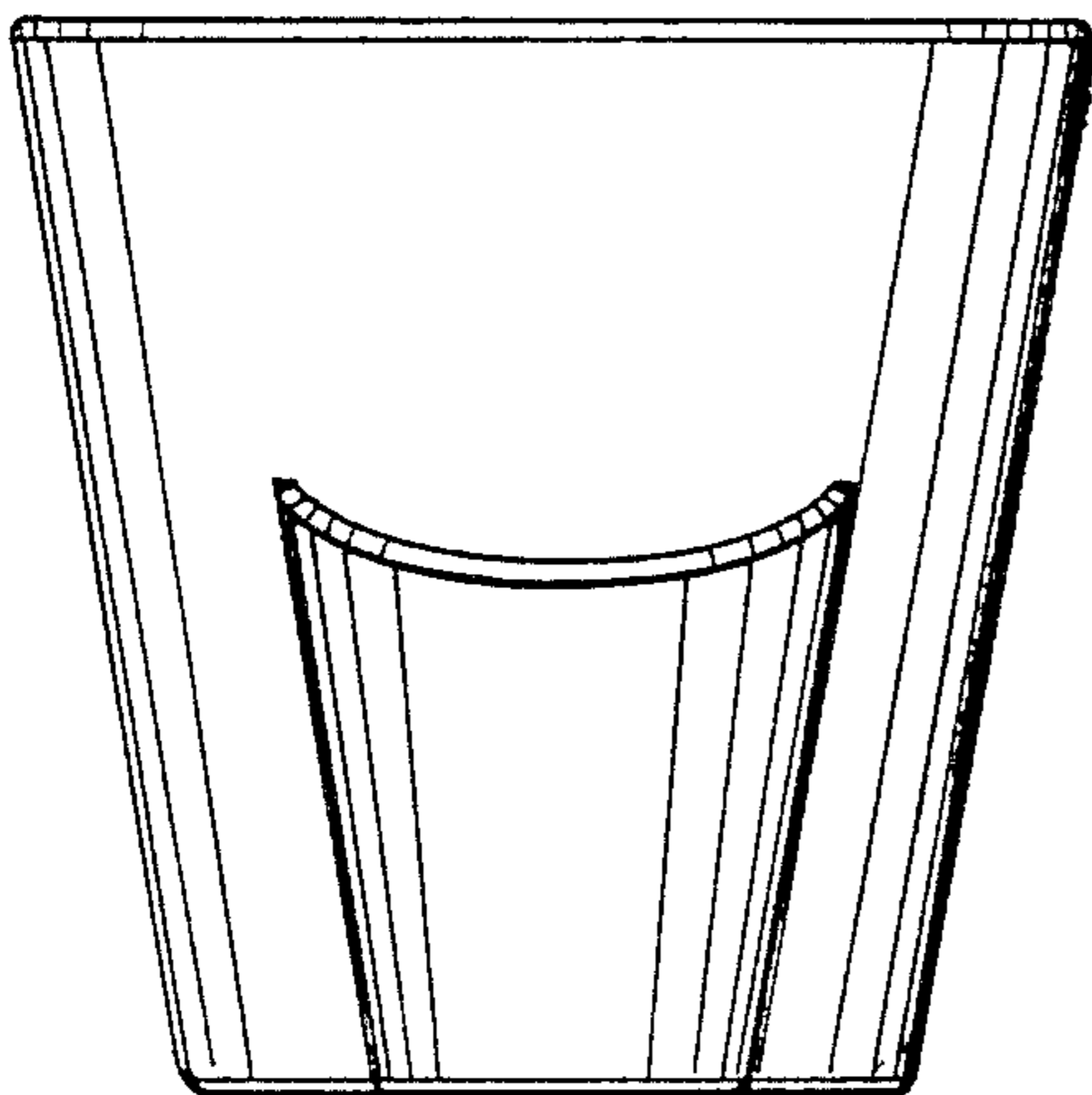


FIG. 6

