

[54] TOILET TISSUE COVER

2,592,955 1/1951 Roddan ..... 242/55.53

[76] Inventor: Ruth D. Derrickson, 5108 Skyline Dr. SE., Knoxville, Tenn. 37914

Primary Examiner—B. J. Bullock  
Assistant Examiner—Suzanne N. Gitlin  
Attorney, Agent, or Firm—Stanley R. Moore

[\*\*] Term: 14 Years

[21] Appl. No.: 510,563

[57] CLAIM

The ornamental design for the toilet tissue cover, as shown and described.

[22] Filed: Jul. 5, 1983

[52] U.S. Cl. .... D6/523

[58] Field of Search ..... D6/518, 523; 242/55.2, 242/55.53; 312/38, 39, 41

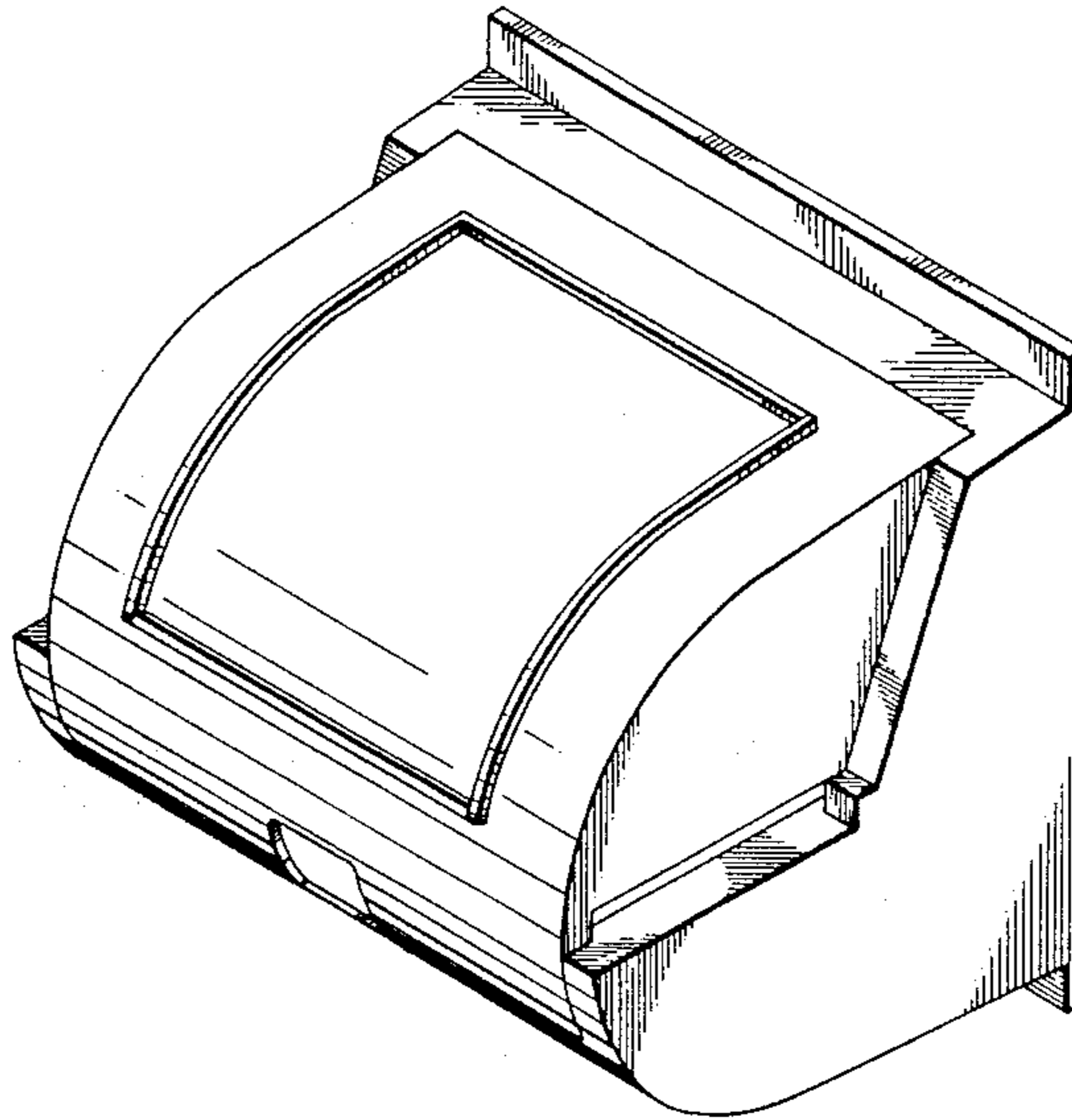
DESCRIPTION

FIG. 1 is a perspective view of a toilet tissue cover showing my new design;  
FIG. 2 is a top plan view thereof;  
FIG. 3 is a front elevational view thereof;  
FIG. 4 is a side elevational view taken from the right of FIG. 1;  
FIG. 5 is a rear elevational view thereof;  
FIG. 6 is a side elevational view taken from the left of FIG. 1;  
FIG. 7 is a bottom plan view thereof.

[56] References Cited

U.S. PATENT DOCUMENTS

D. 148,484	1/1948	Roche	.....	D6/523
D. 151,023	9/1948	Wood	.....	D6/523
D. 181,360	11/1951	Joseph	.....	D6/523
D. 260,952	9/1981	Perez	.....	D6/523
D. 261,452	10/1981	Chandler	.....	D6/523
2,211,210	8/1940	Johnson	.....	248/300



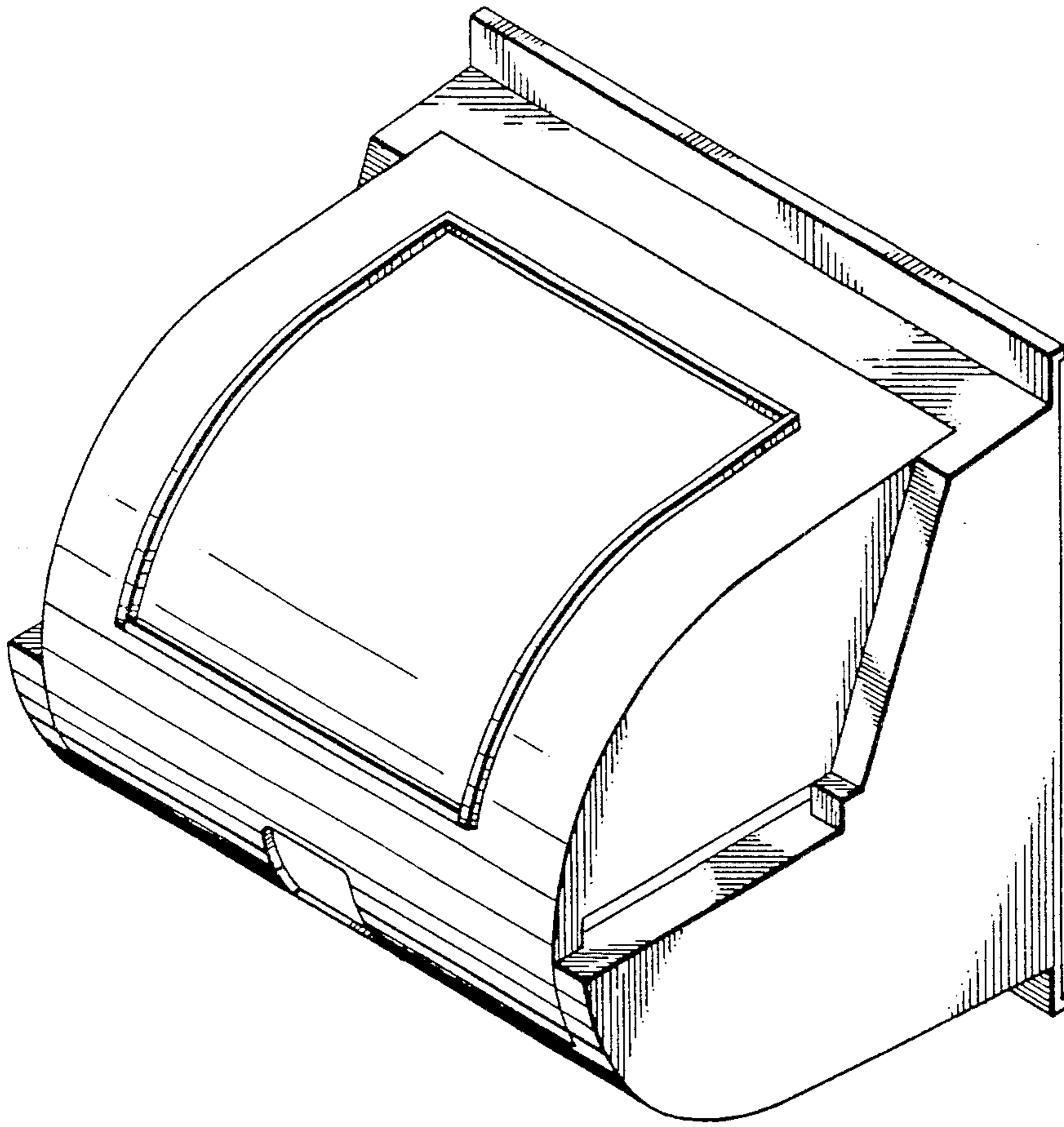


FIG. 1

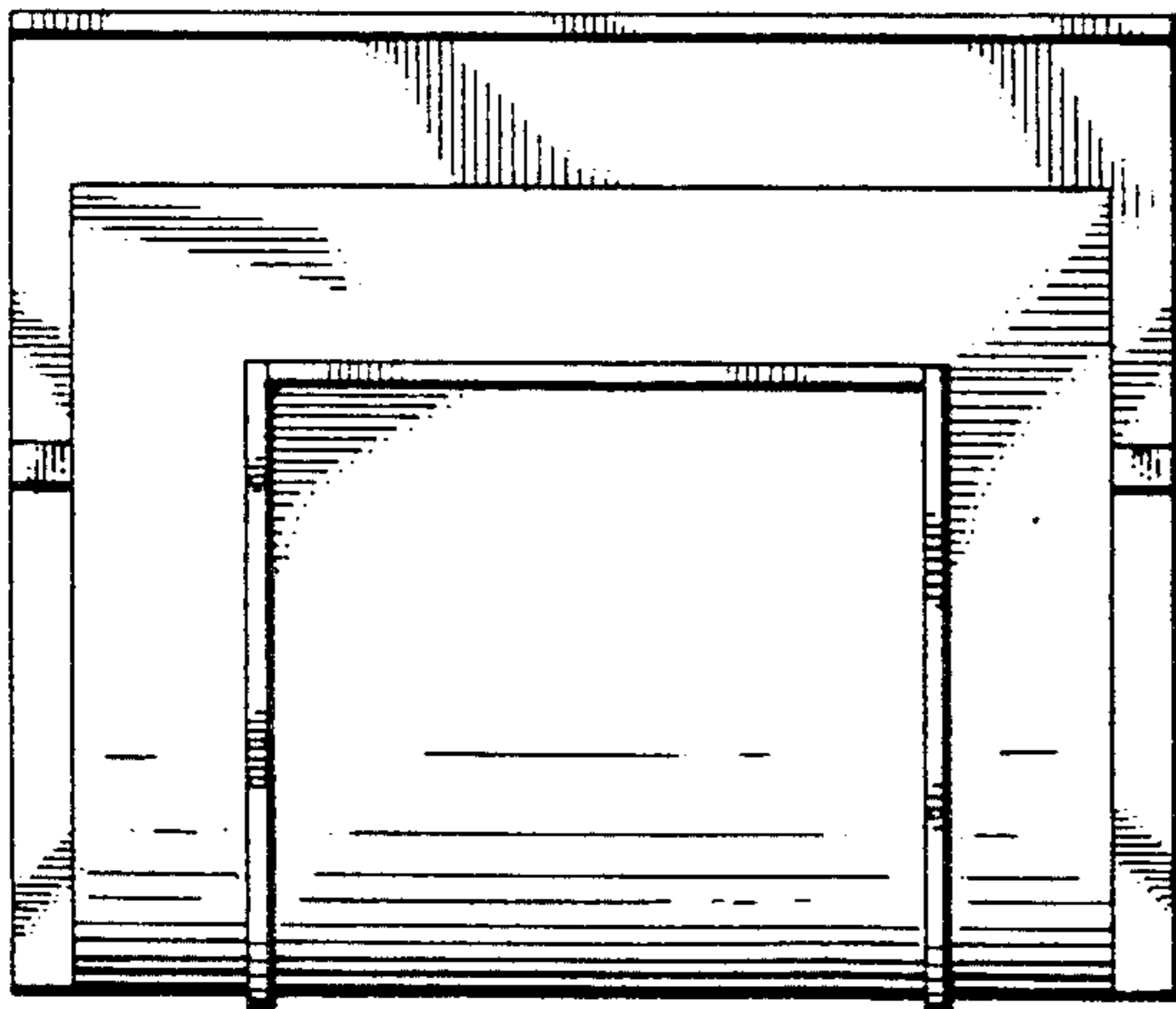


FIG. 2

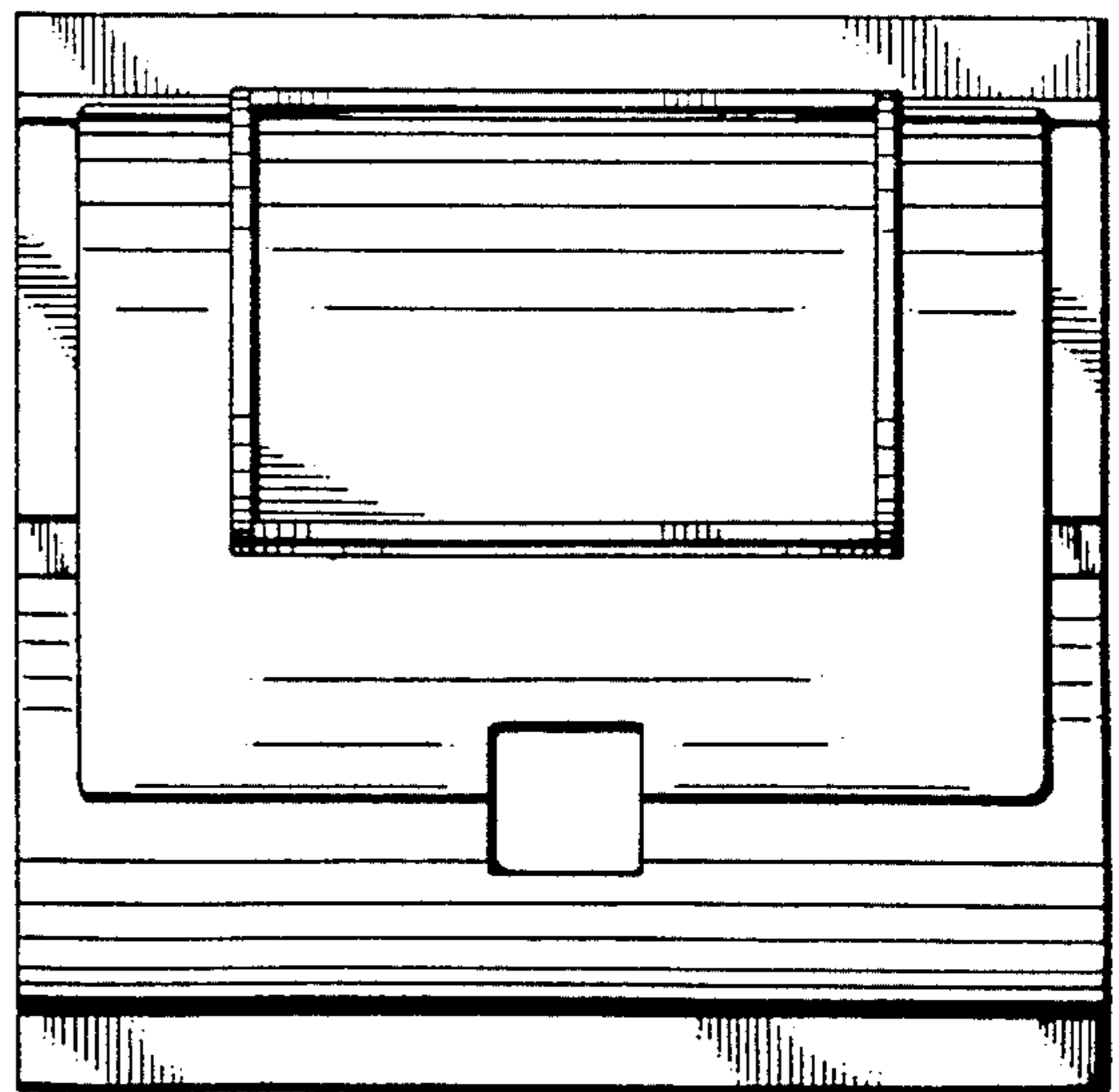


FIG. 3

FIG. 4

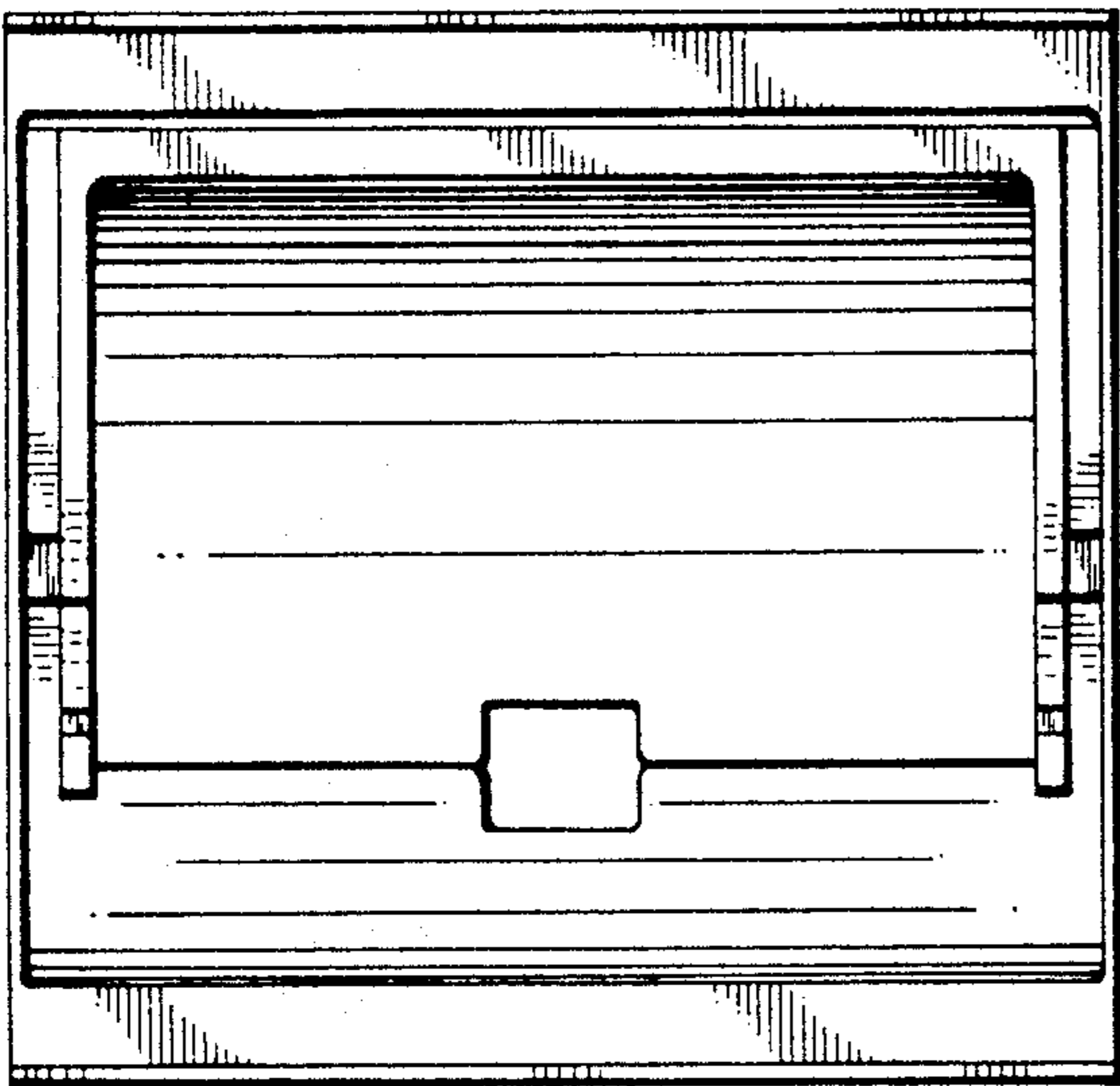
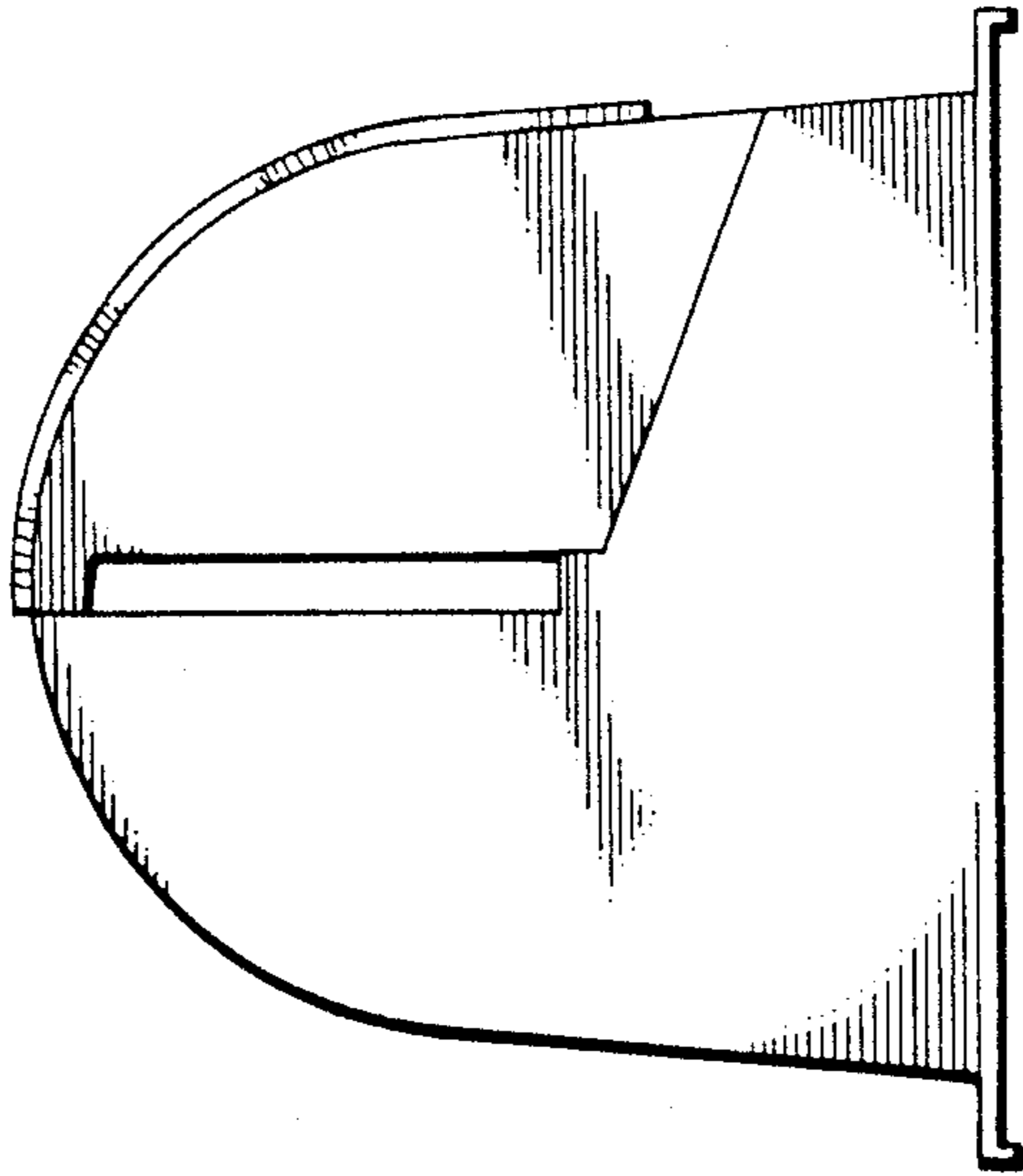


FIG. 5

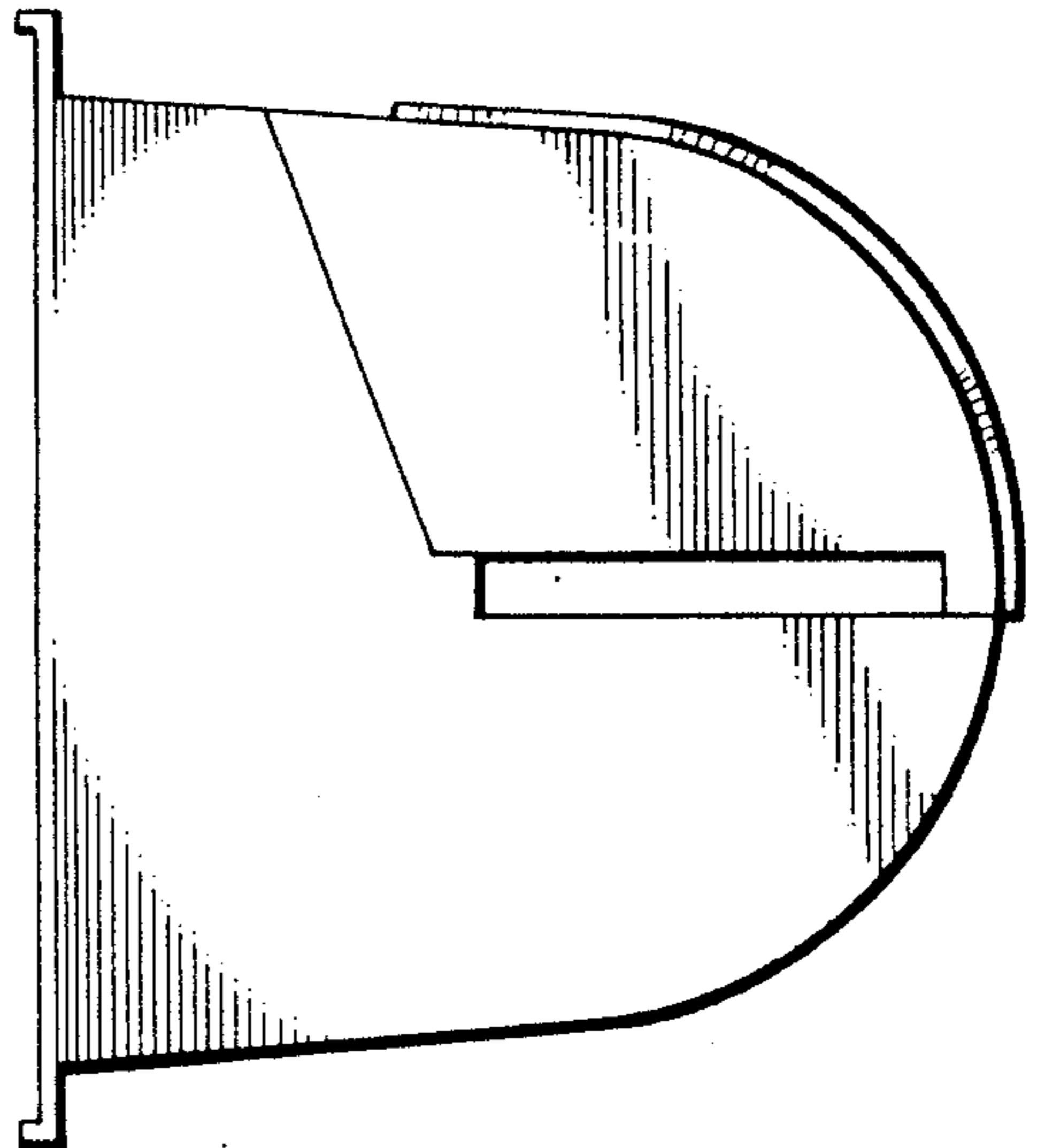


FIG. 6

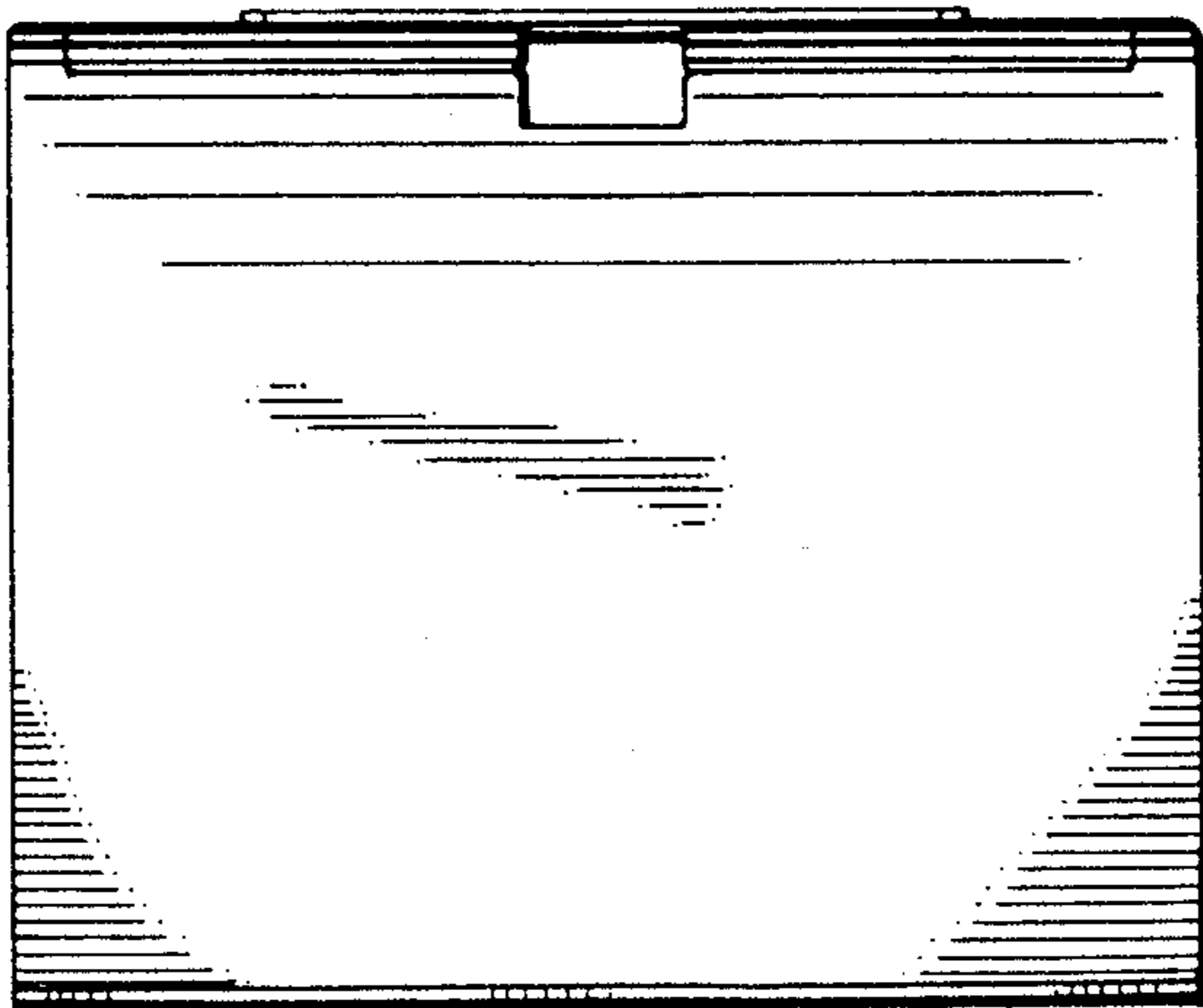


FIG. 7