

[54] **GLASS TABLETOP**

[75] Inventor: **Steven Goldsmith, Miami, Fla.**

[73] Assignee: **Amcoa, Inc., Miami, Fla.**

[**] Term: **14 Years**

[21] Appl. No.: **518,048**

[22] Filed: **Jul. 28, 1983**

[52] U.S. Cl. **D6/511; D6/480**

[58] Field of Search **D6/382, 438, 491, 511, D6/384, 445, 446, 449, 451, 480, 484, 486, 487**

[56] **References Cited**

U.S. PATENT DOCUMENTS

- D. 165,571 1/1952 Brandenburger, Sr. D6/438
- D. 185,371 6/1959 Klein et al. D6/511

D. 224,872 10/1972 Voytko D6/382 X

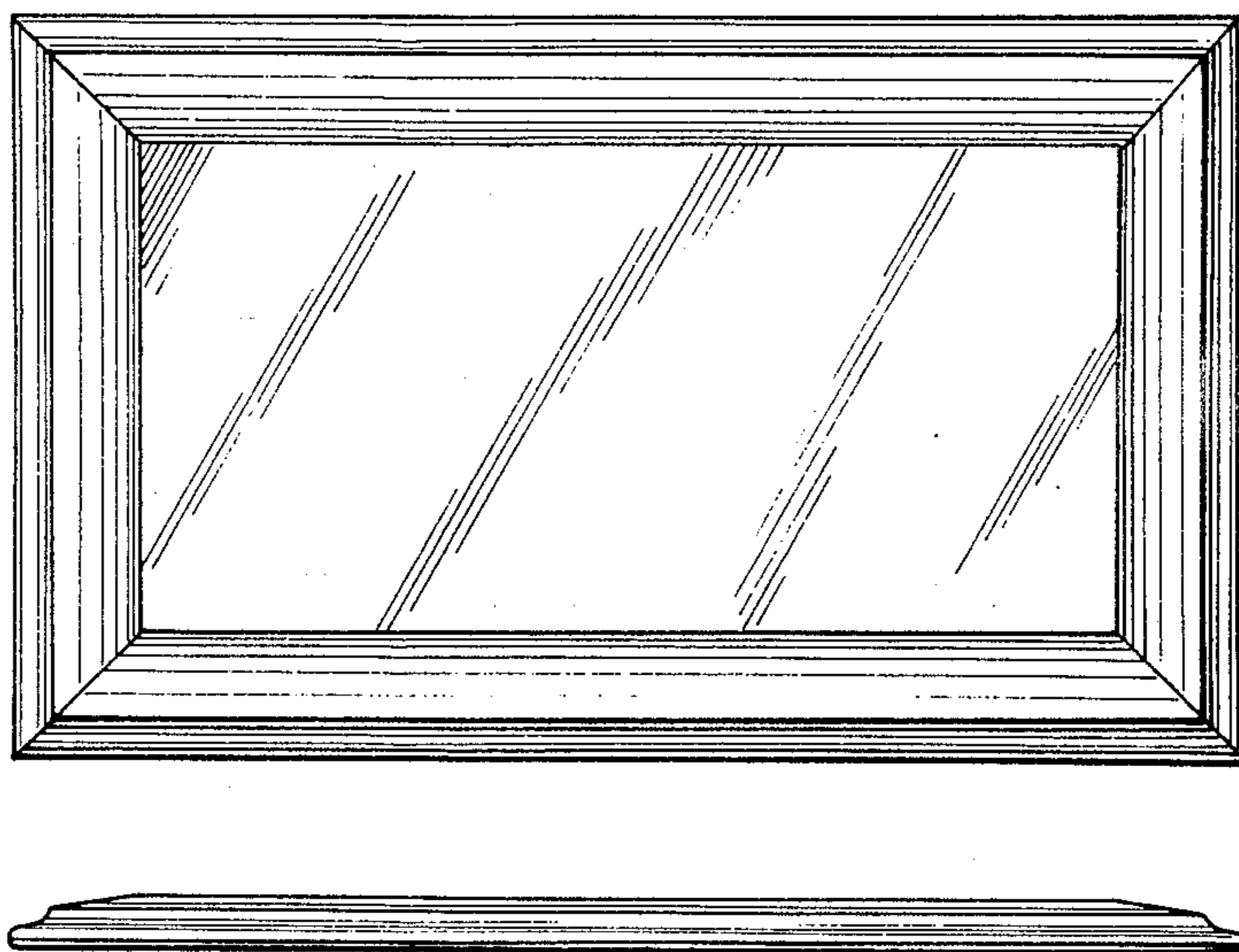
Primary Examiner—Bruce W. Dunkins
Attorney, Agent, or Firm—Charles E. Baxley

[57] **CLAIM**

The ornamental design for a glass tabletop, as shown and described.

DESCRIPTION

FIG. 1 is a perspective view of a glass tabletop showing my new design;
FIG. 2 is a top plan view thereof;
FIG. 3 is a front elevational view thereof, the rear elevational view being a mirror image of FIG. 3;
FIG. 4 is a right end view thereof, the left end view being a mirror image of FIG. 4; and
FIG. 5 is a bottom plan view thereof.



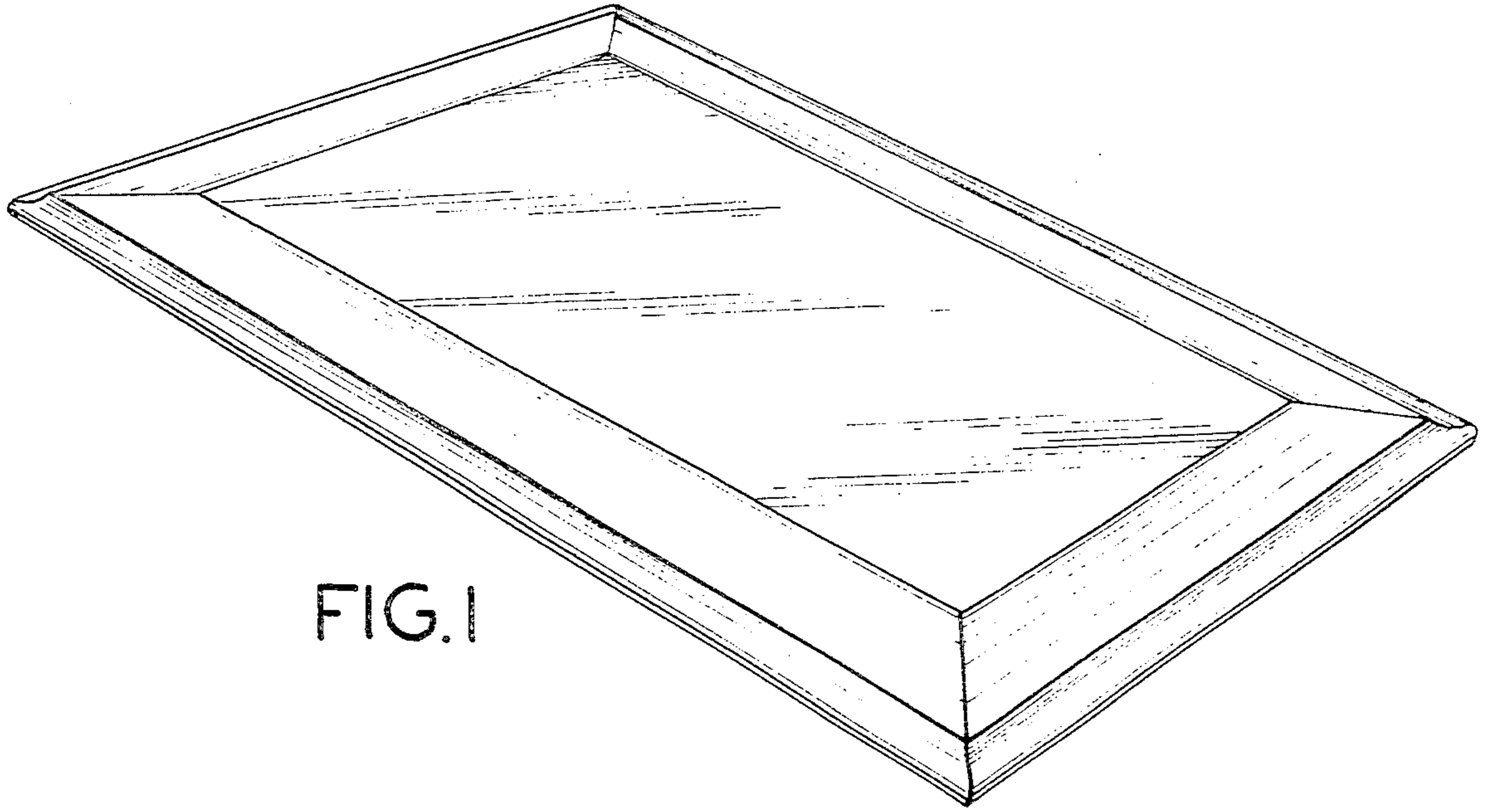


FIG. 1

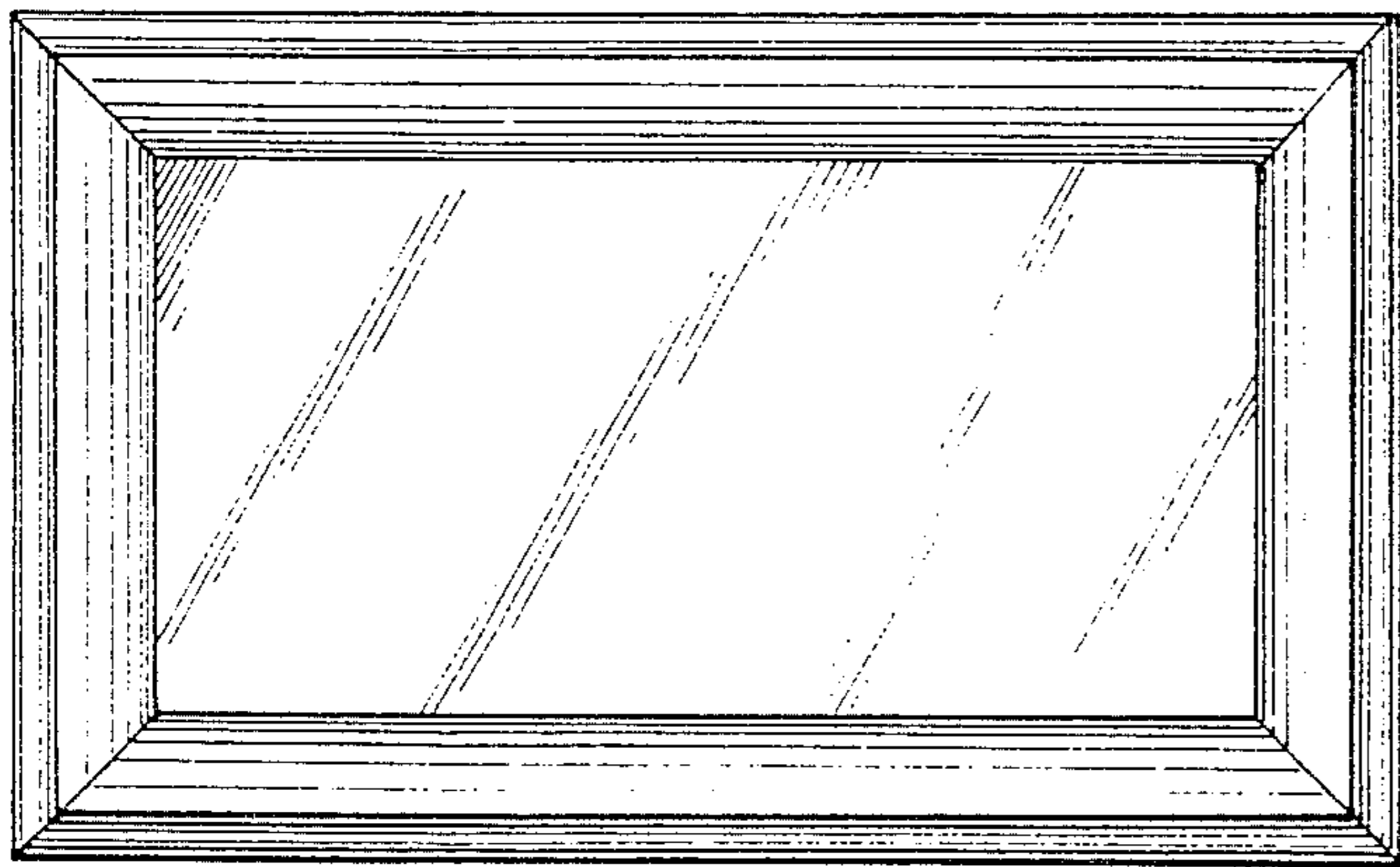


FIG. 2

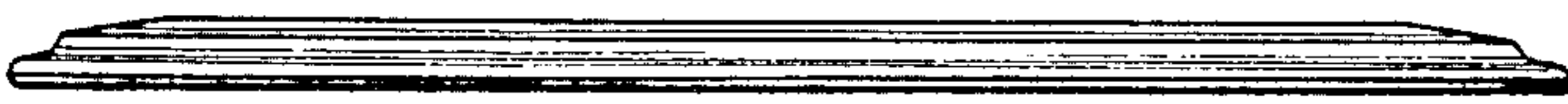


FIG. 3

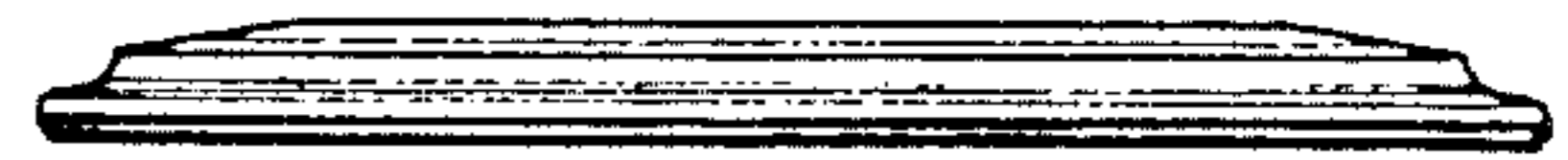


FIG. 4

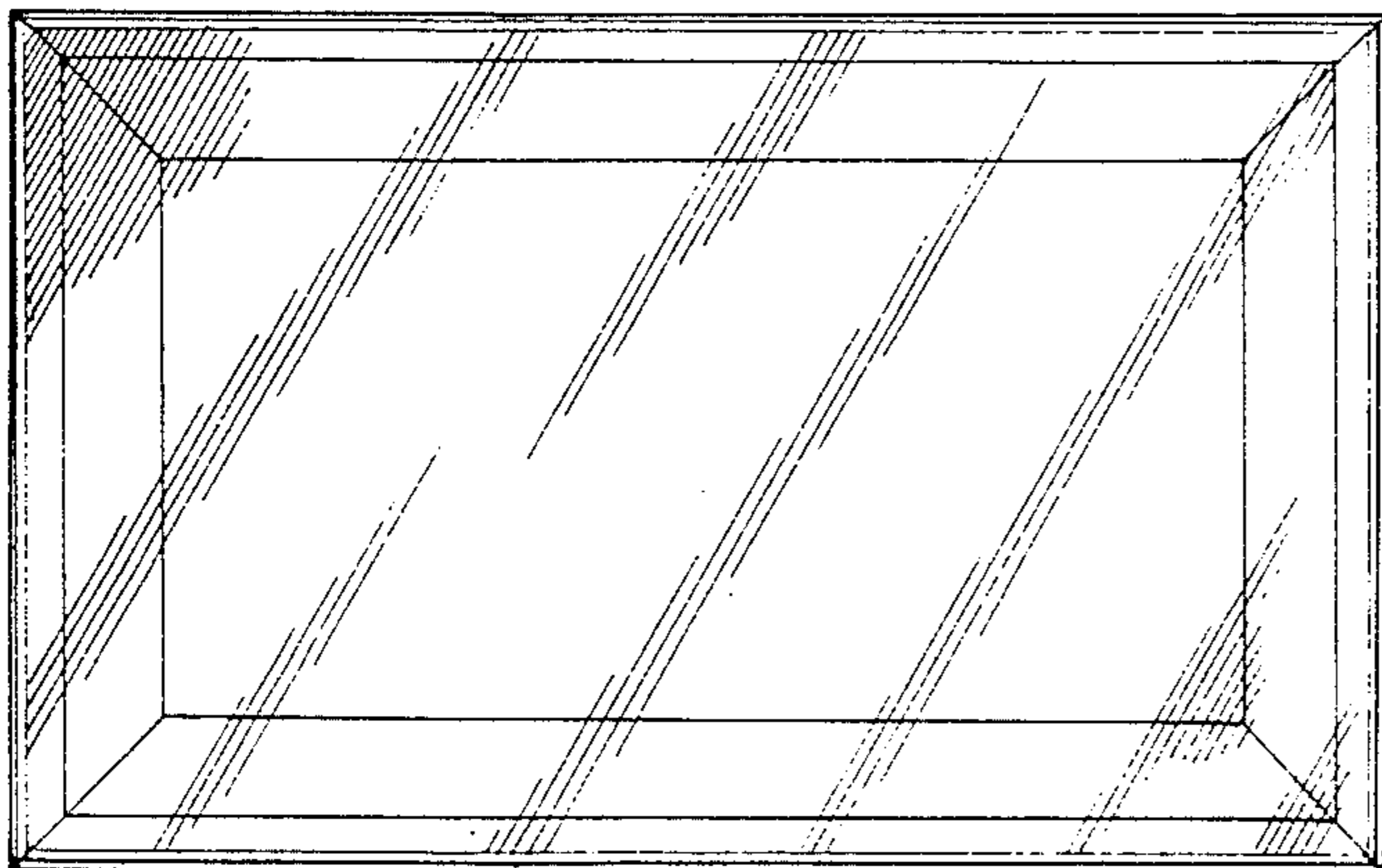


FIG. 5