

[54] PARASOL UMBRELLA SUPPORT

[56] References Cited

[75] Inventors: Gys Bakker, Amersfoort; Frans van den Toorn, Andijk, both of Netherlands.

U.S. PATENT DOCUMENTS

D. 193,862	10/1962	Nissen et al.	.....	D6/496
D. 230,682	3/1974	Stamm	.....	D6/495
1,378,354	5/1921	Johnson	.....	D3/5 X
2,923,449	2/1960	Sund	.....	D3/5 X
3,120,238	2/1964	Glatz	.....	D3/5 X

[73] Assignee: Industrial Designers Bussum B.V., Naarden, Netherlands

Primary Examiner—Bruce W. Dunkins  
Attorney, Agent, or Firm—Kuhn, Muller and Bazerman

[\*\*] Term: 14 Years

[57] CLAIM

The ornamental design for a parasol umbrella support, as shown and described.

[21] Appl. No.: 554,043

DESCRIPTION

[22] Filed: Nov. 21, 1983

FIG. 1 is a perspective view of a parasol umbrella support showing my design;

[52] U.S. Cl. .... D6/495; D3/10

FIG. 2 is a side view thereof; and

[58] Field of Search ..... D3/5, 10; D6/495, 496;

FIG. 3 is a top view thereof.

248/1, 188.1, 188.3, 188.8

The broken lines showing a pole fragment in FIG. 1 are for illustrative purposes only.

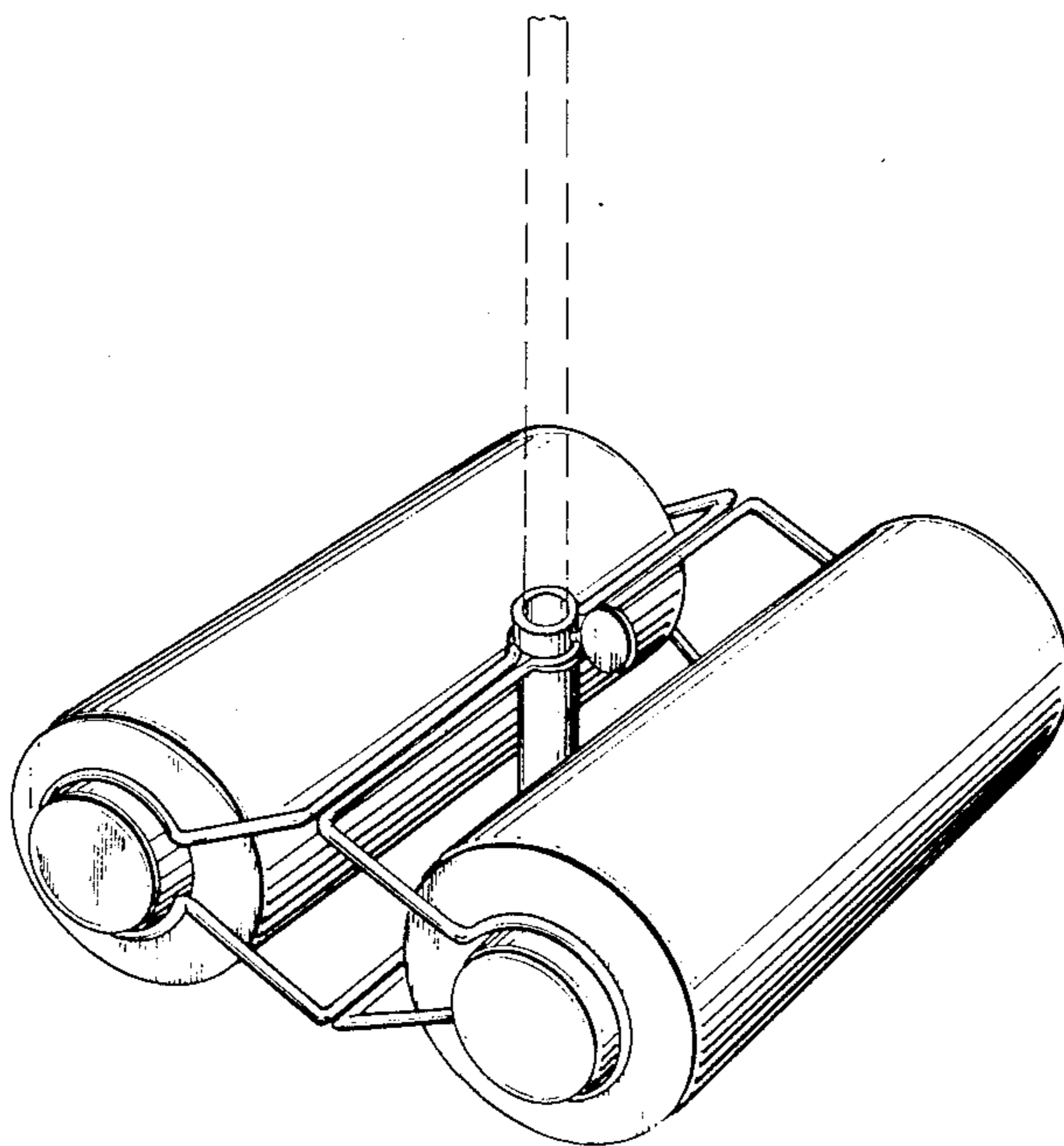


FIG. 1

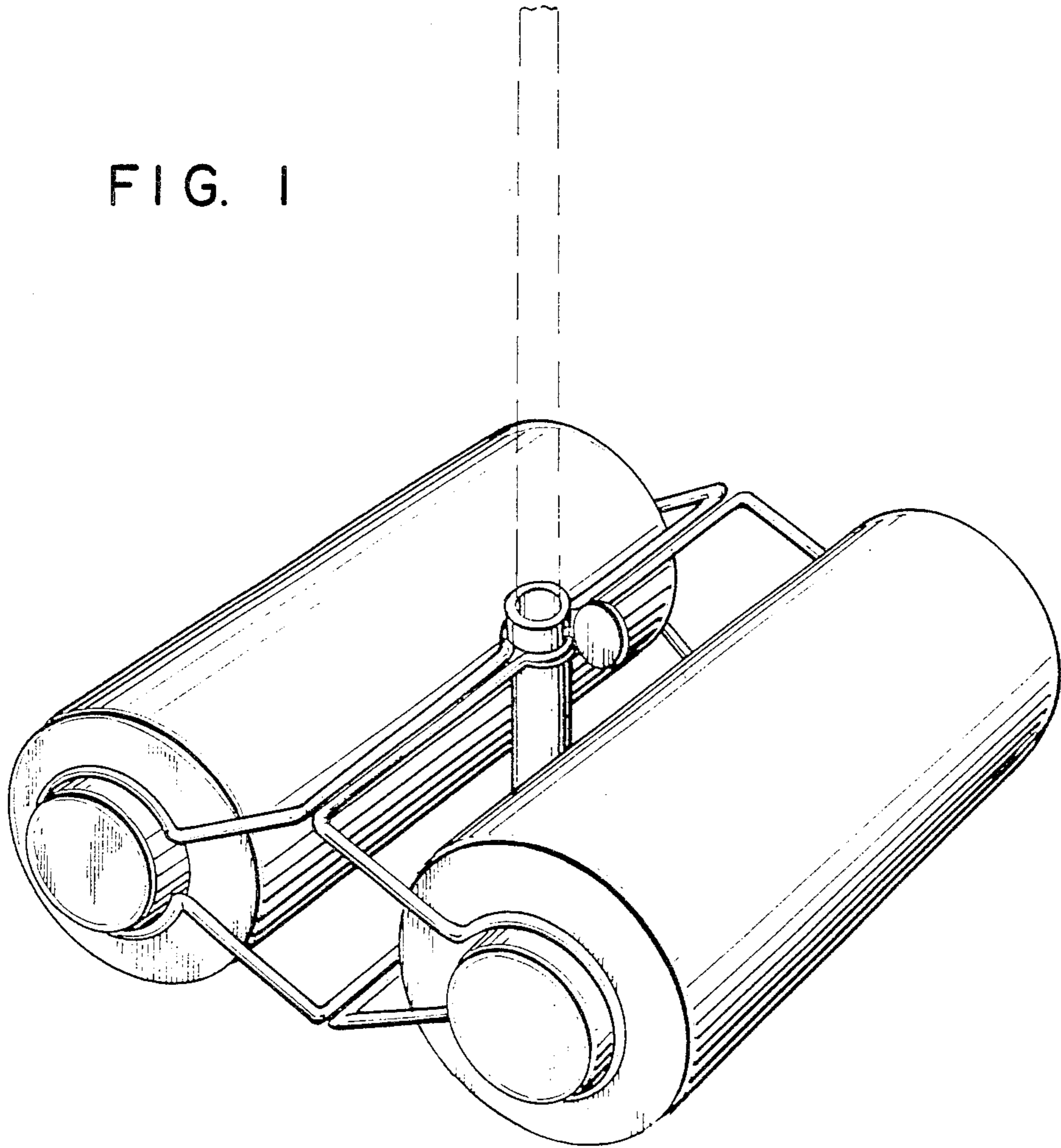


FIG. 2

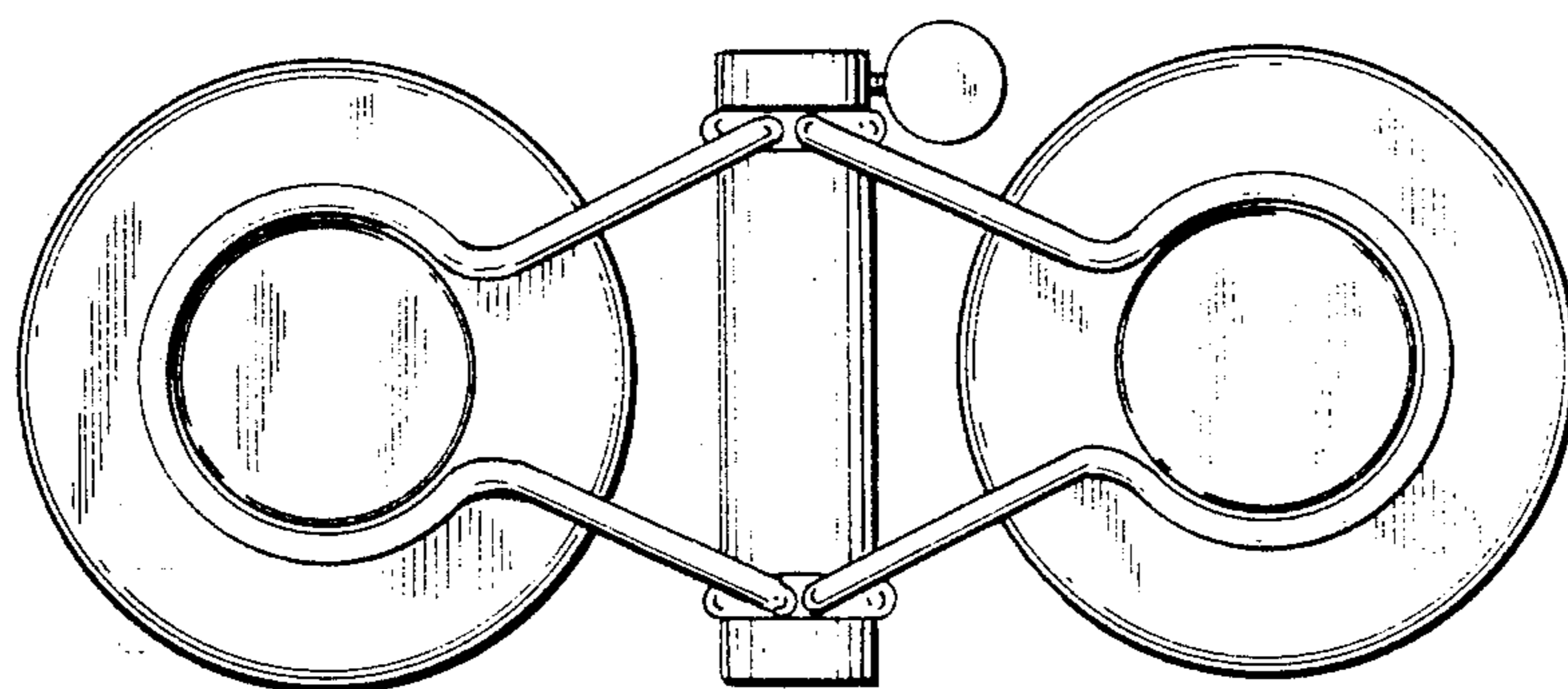


FIG. 3

