

[54] CHECKOUT COUNTER UNIT

[75] Inventor: Leslie J. Adams, Elmhurst, Ill.

[73] Assignee: St. Charles Manufacturing Co., St. Charles, Ill.

[**] Term: 14 Years

[21] Appl. No.: 538,746

[22] Filed: Oct. 3, 1983

[52] U.S. Cl. D6/402

[58] Field of Search D6/402; 186/59, 61, 186/66, 68; 312/140.1

[56] References Cited

U.S. PATENT DOCUMENTS

D. 249,767	10/1978	Duke	D6/402
D. 261,710	11/1981	Onstead	D6/402
D. 264,654	6/1982	Langen et al.	D6/402
3,109,515	11/1963	Schild	186/68
3,960,420	6/1976	Speraw et al.	186/66
4,265,336	5/1981	Foster	186/66
4,474,288	10/1984	Majewski	186/68

Primary Examiner—B. J. Bullock

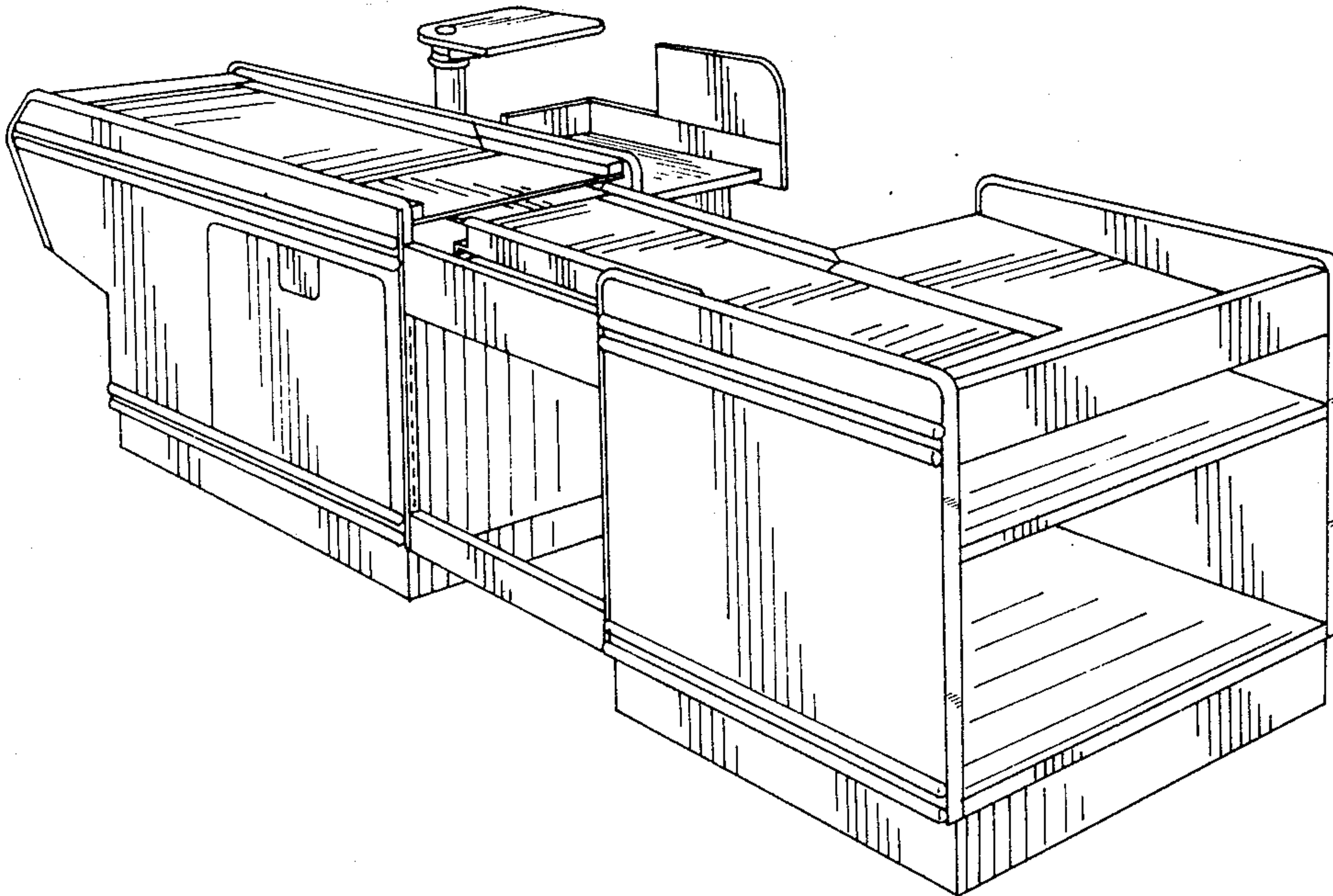
Assistant Examiner—Suzanne N. Gitlin
Attorney, Agent, or Firm—Robert E. Wagner; Ralph R. Rath

[57] CLAIM

The ornamental design for a checkout counter unit, as shown and described.

DESCRIPTION

FIG. 1 is an enlarged perspective view of a checkout counter unit showing my new design;
 FIG. 2 is a front elevational view thereof;
 FIG. 3 is an end elevational view taken from the left of FIG. 1;
 FIG. 4 is an end elevational view taken from the right of FIG. 1;
 FIG. 5 is a top plan view thereof;
 FIG. 6 is a rear elevational view thereof;
 FIG. 7 is a perspective view of the bagging section shown separated for clarity of illustration;
 FIG. 8 is a side elevational view of FIG. 7, the opposite side being identical;
 FIG. 9 is a front elevational view of FIG. 7;
 FIG. 10 is a top plan view of FIG. 7;
 FIG. 11 is a rear elevational view of FIG. 7.



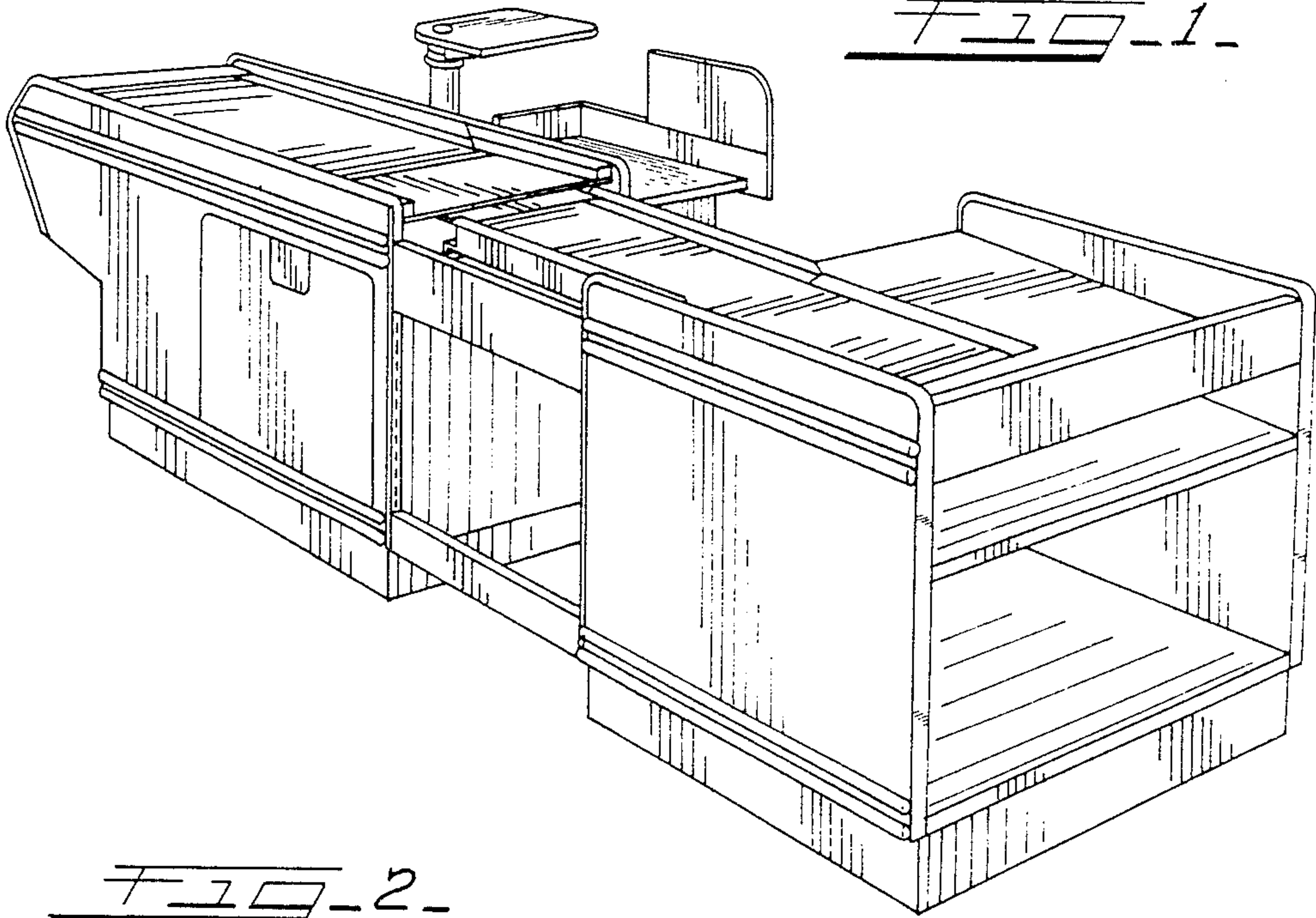


FIG. 2

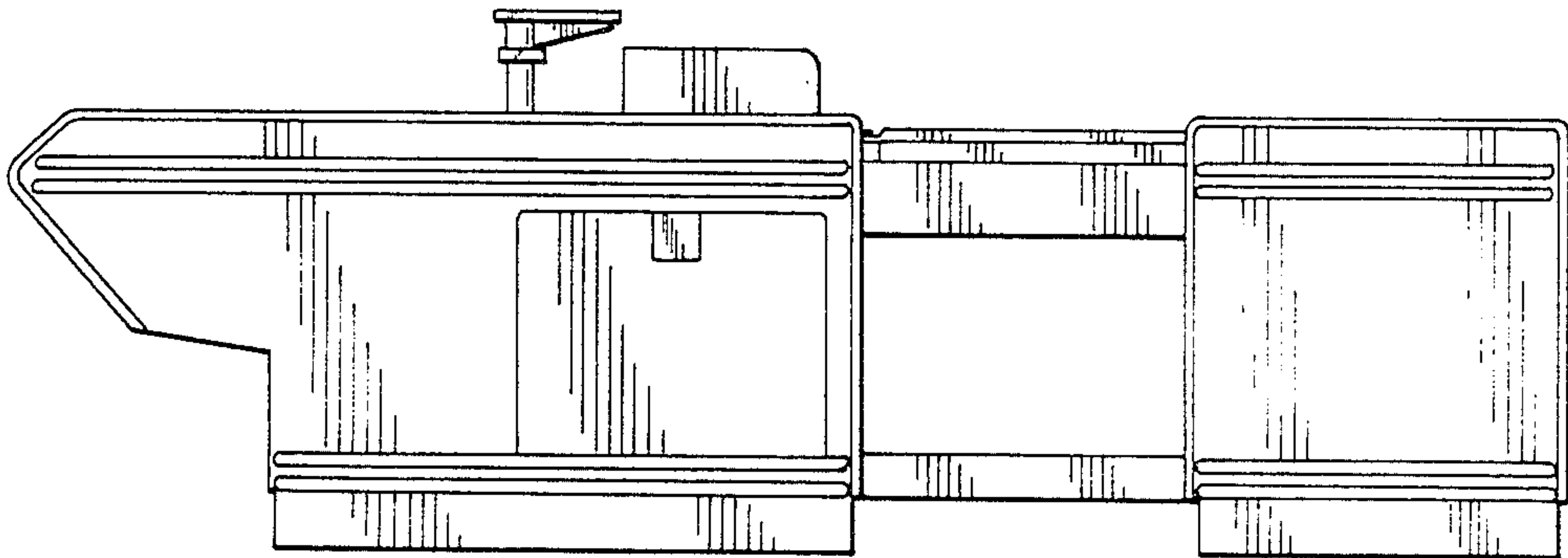


FIG. 3

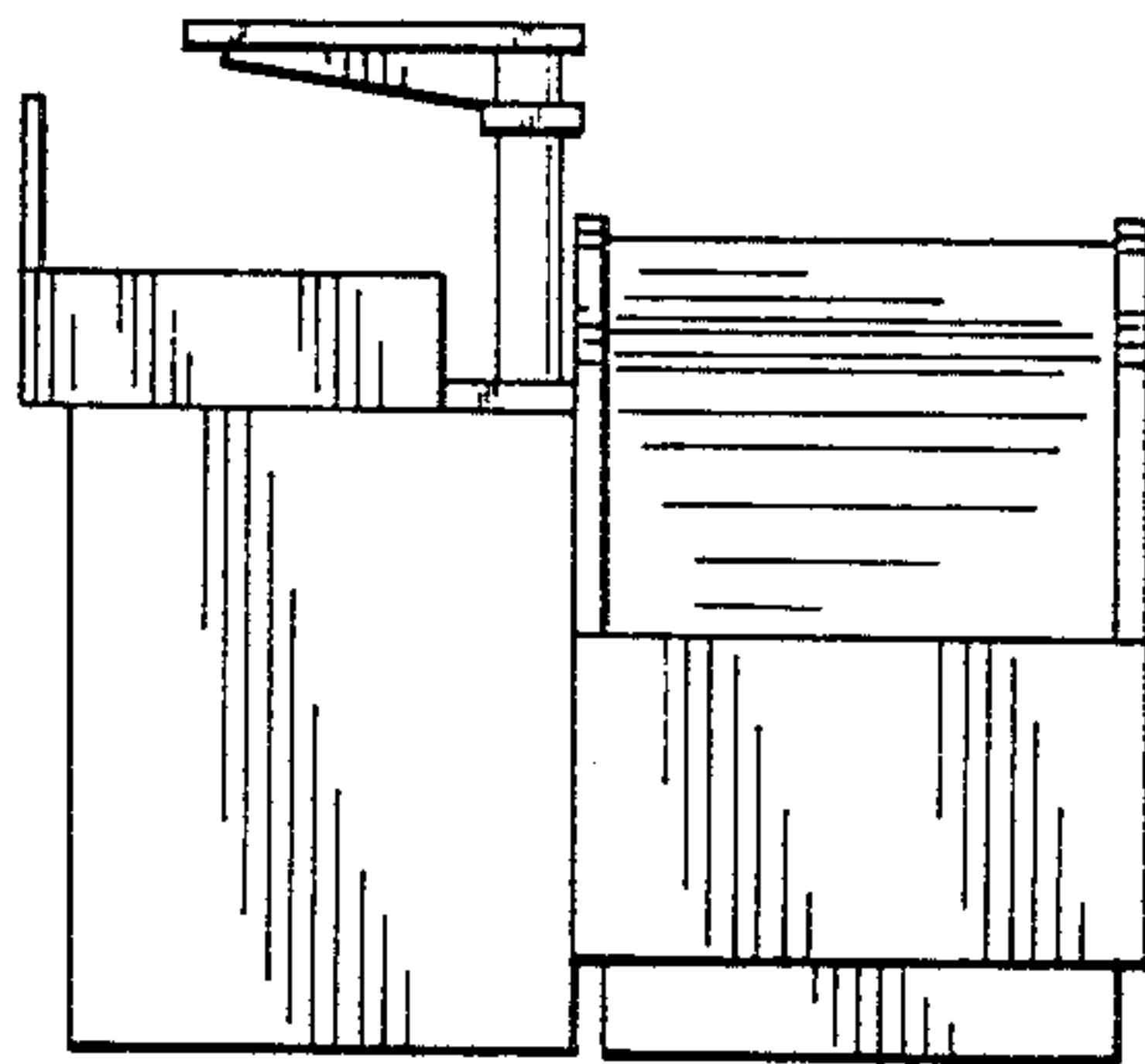


FIG. 4

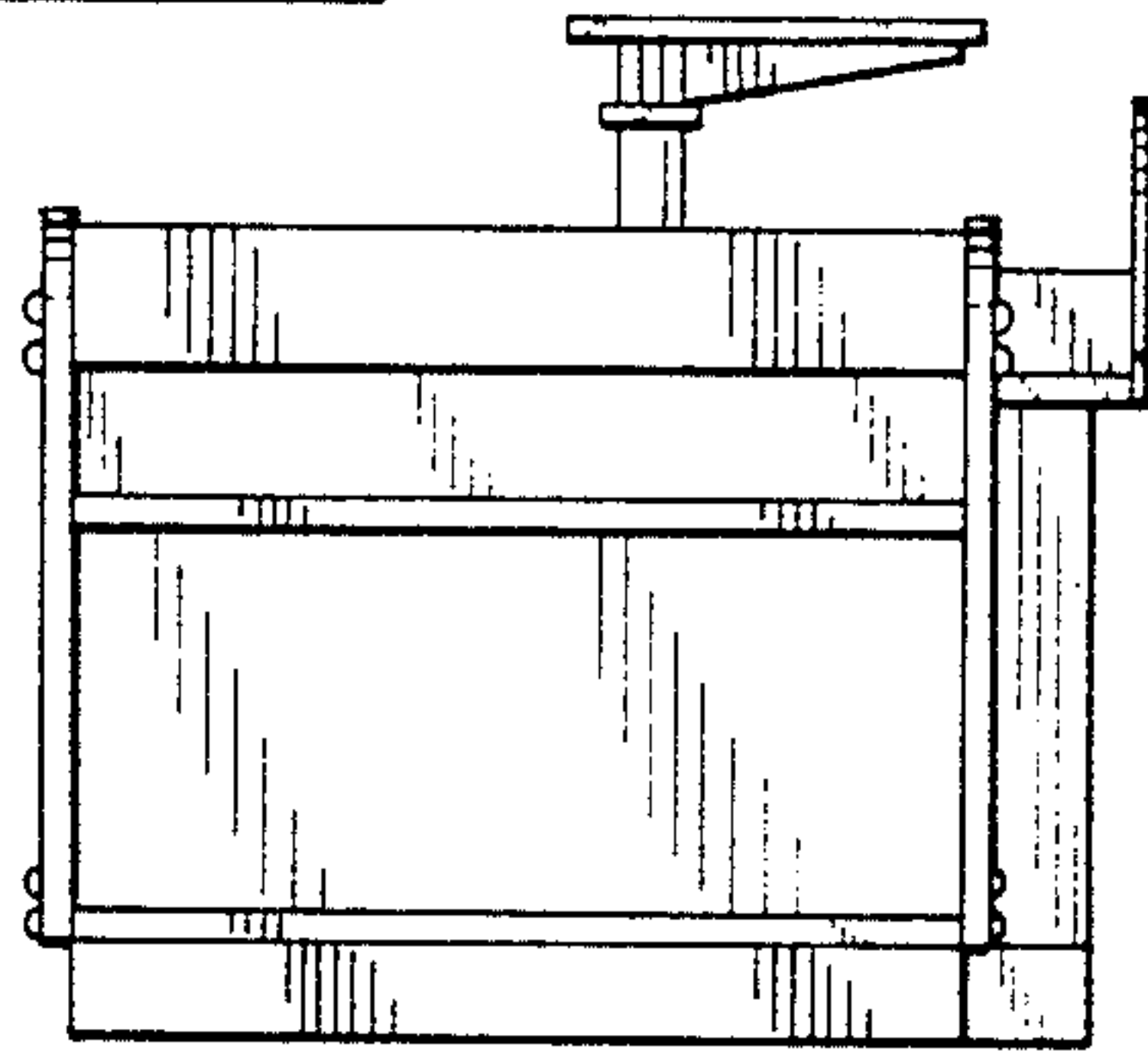


FIG. 5

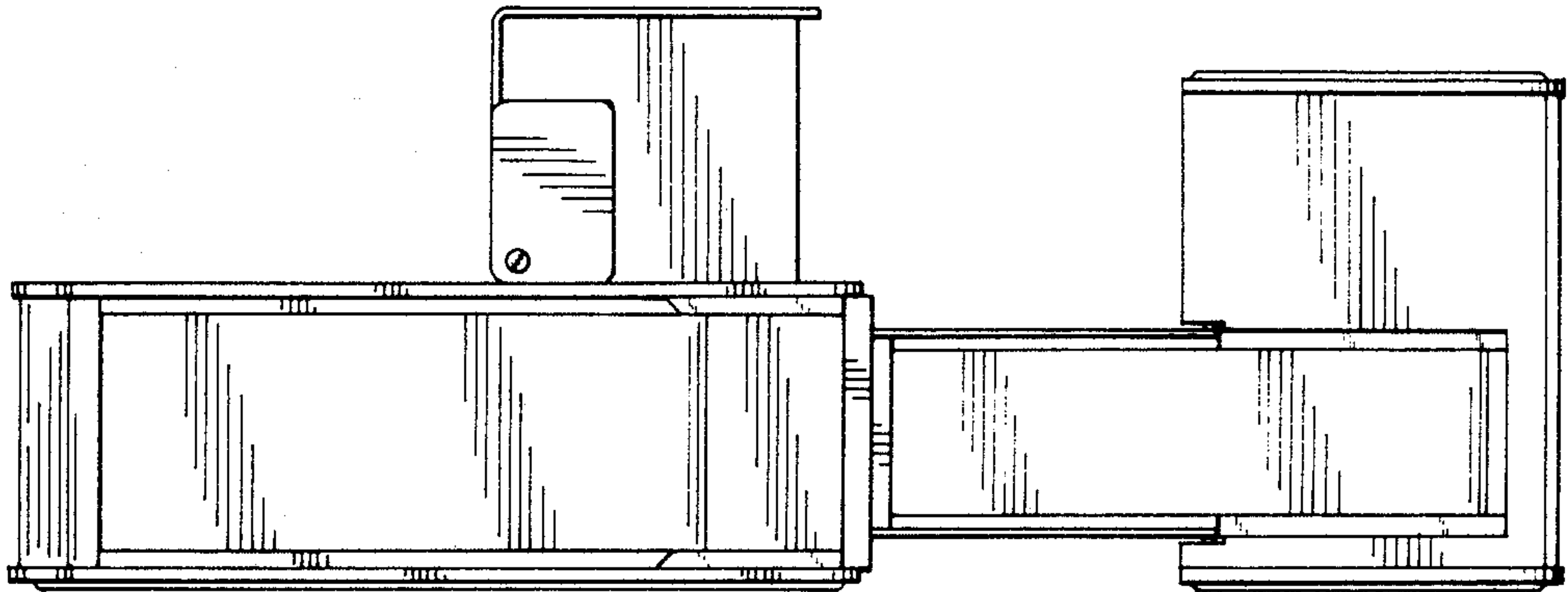


FIG. 6

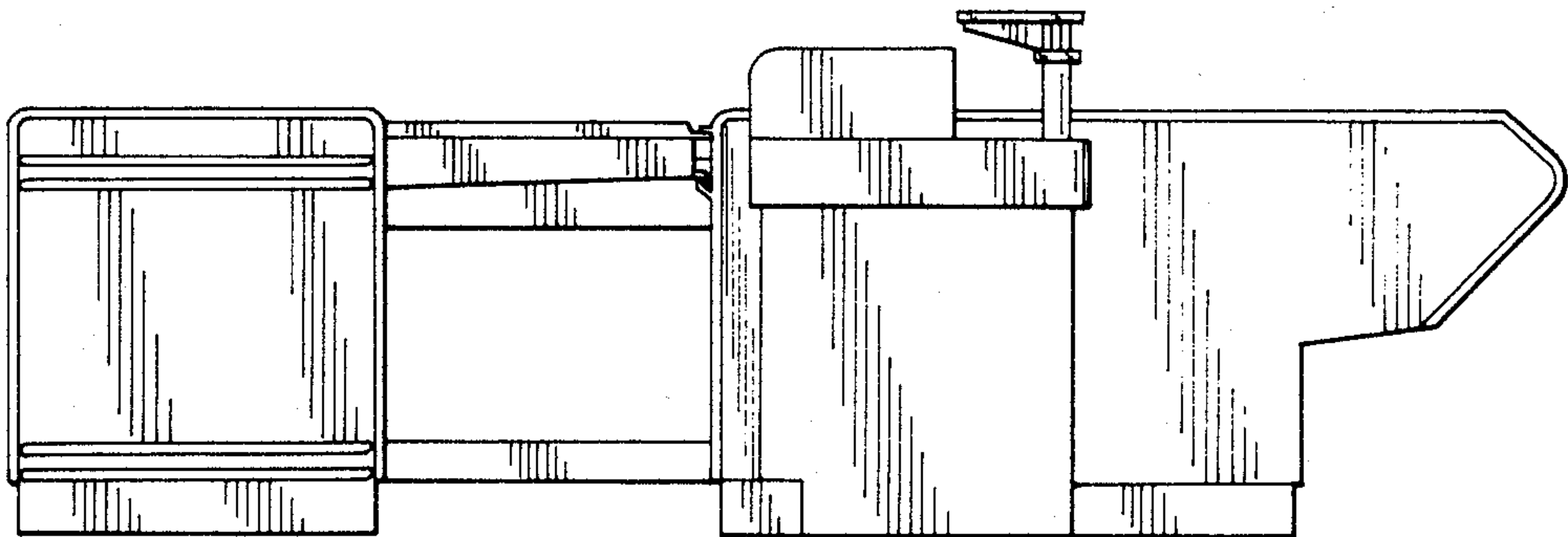


FIG-7-

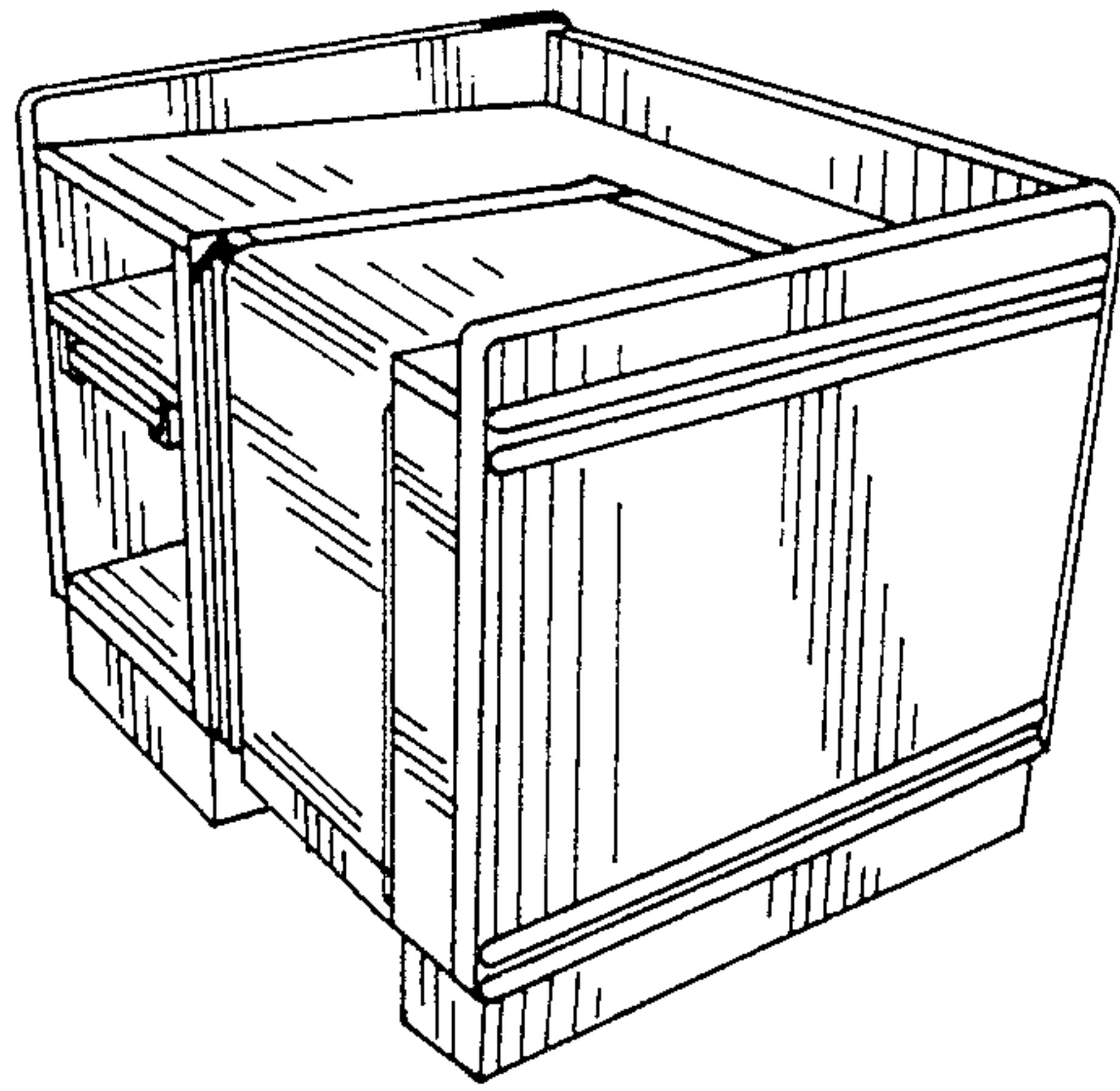


FIG-8-

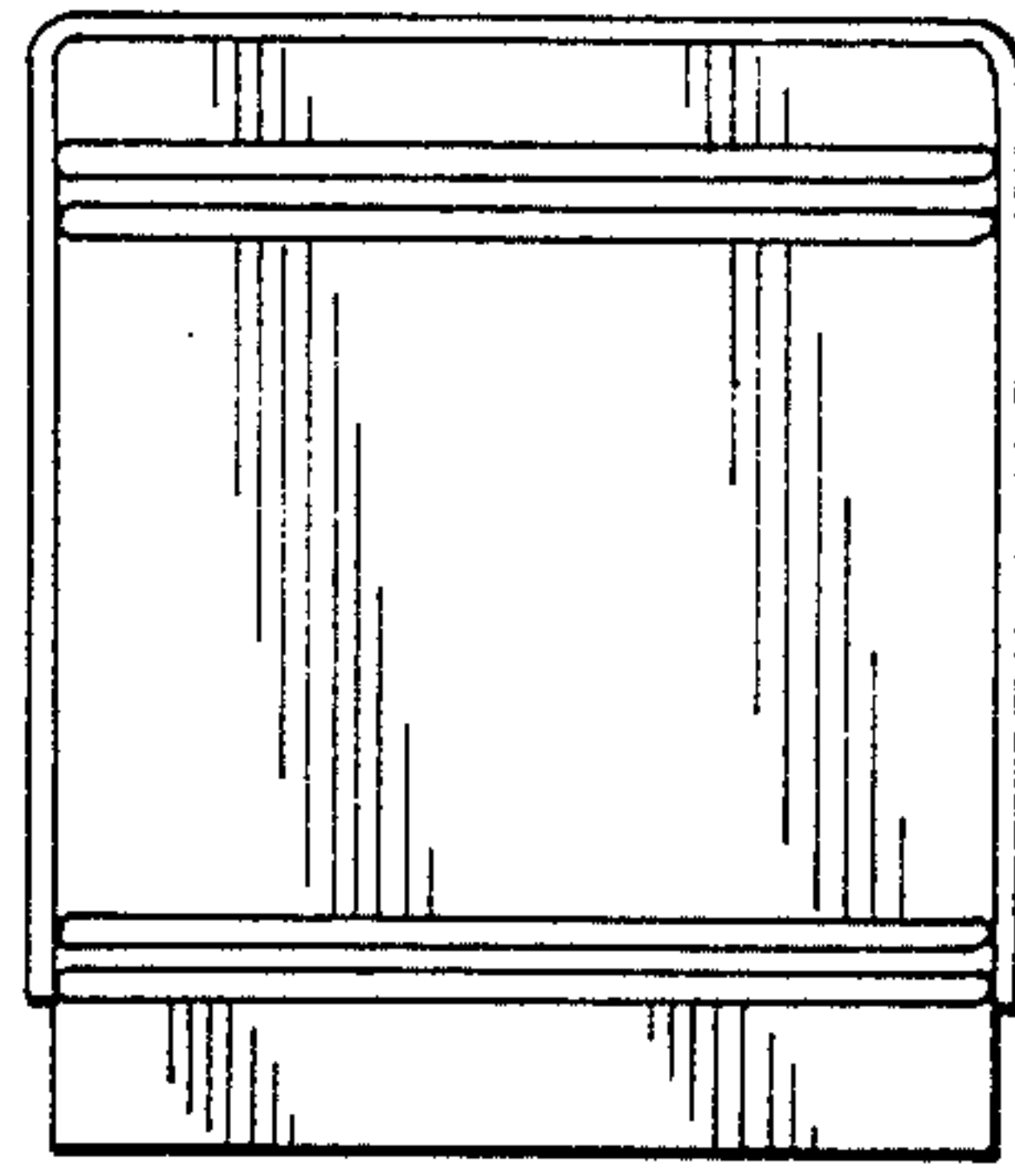


FIG-9-

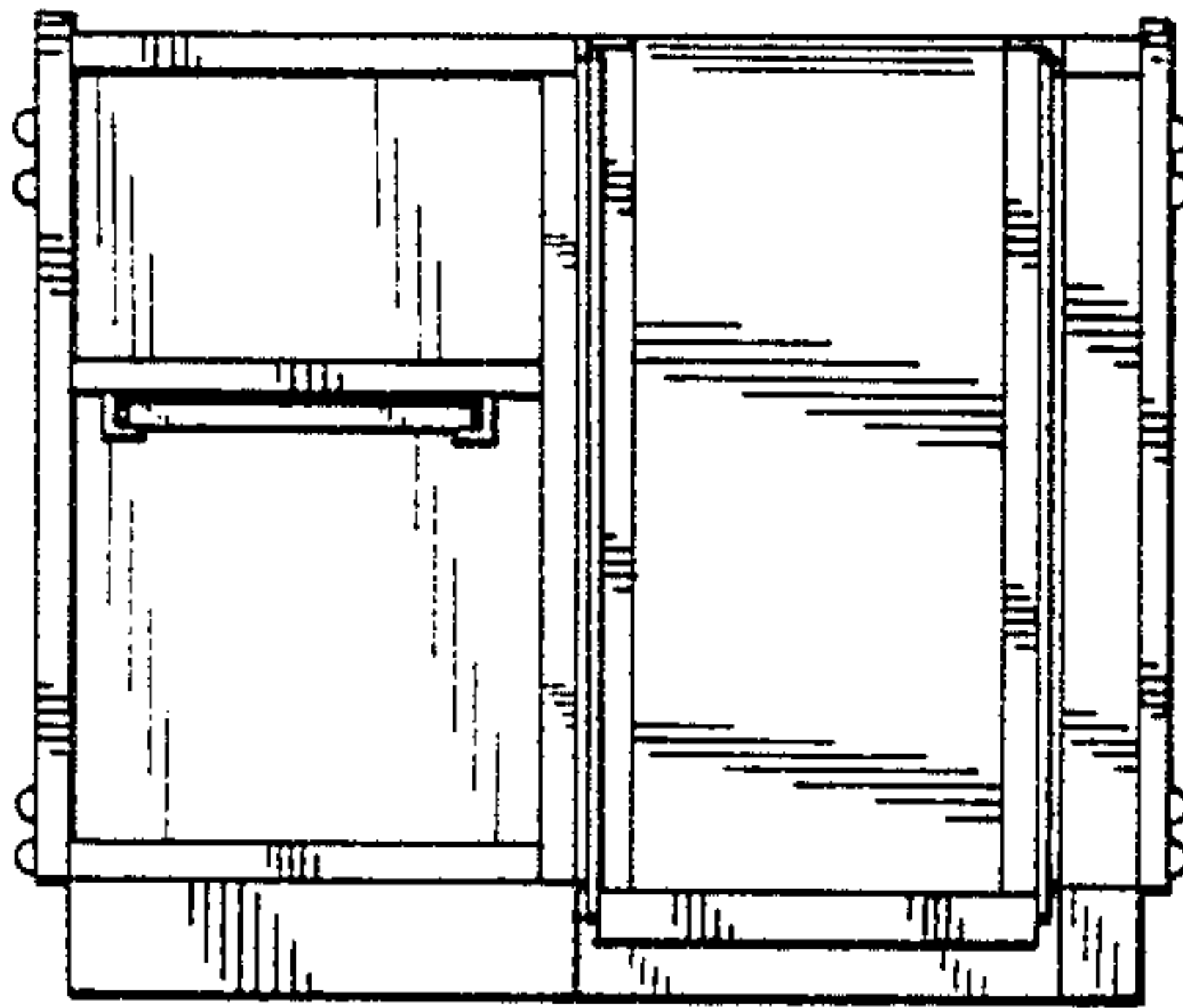


FIG-11-

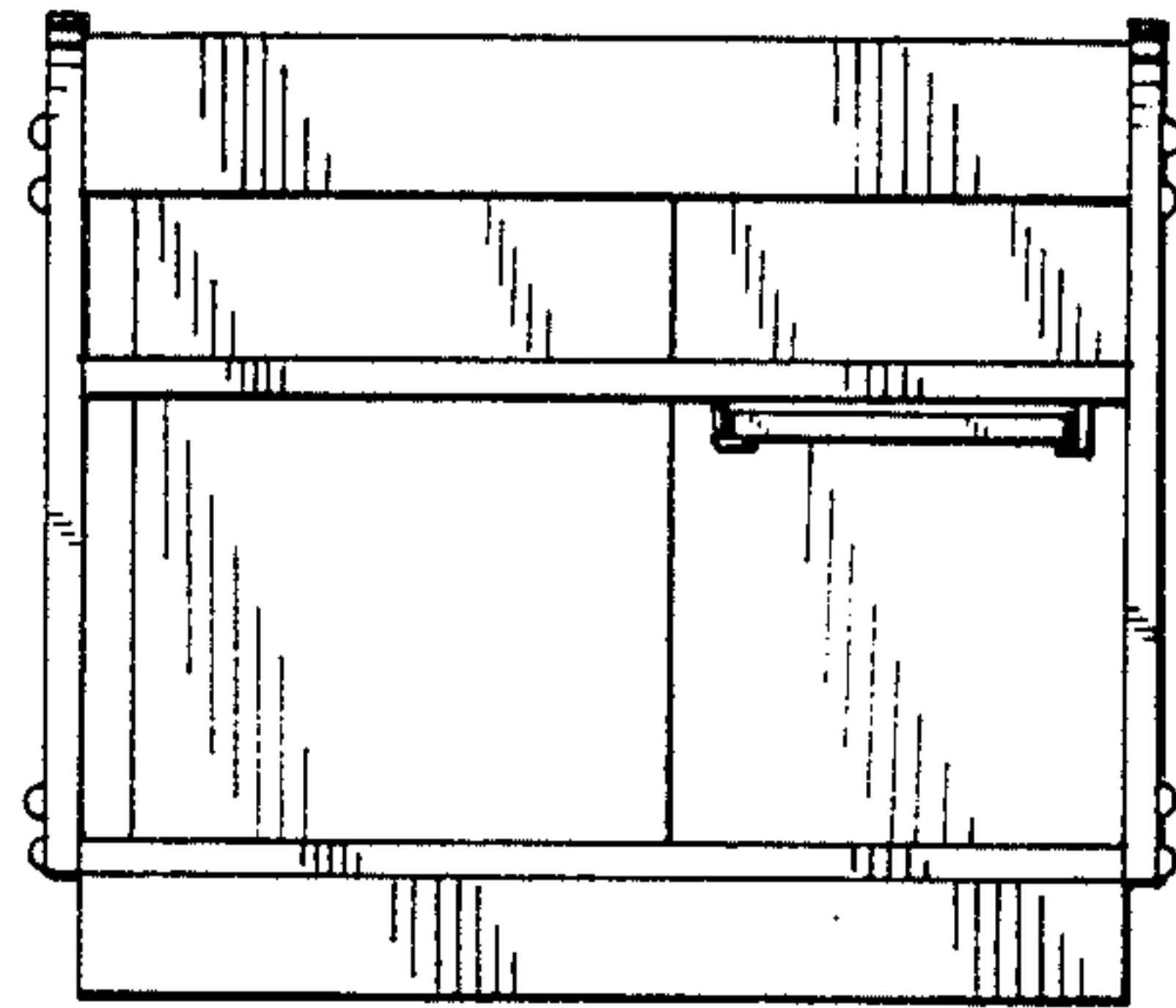


FIG-10-

