

[54] CHAIR

[76] Inventor: Peter Opsvik, Høgtunveien 12, 1370 Asker, Norway

[**] Term: 14 Years

[21] Appl. No.: 531,868

[22] Filed: Sep. 13, 1983

[30] Foreign Application Priority Data

Mar. 17, 1983 [NO] Norway 63853

[52] U.S. Cl. D6/366; D6/334; D6/349

[58] Field of Search D6/335, 337, 338, 349, D6/354, 366; 297/427, 429, 430, 431, 446

[56] References Cited

U.S. PATENT DOCUMENTS

D. 256,741	9/1980	Acton	D6/366
D. 265,441	7/1982	Memashe	D6/340
D. 265,612	8/1982	Gusrud et al.	D6/373
D. 271,727	12/1983	Opsvik	D6/334
D. 272,206	1/1984	Kraft	D6/349
D. 277,722	2/1985	Gusrud	D6/340
3,669,493	6/1972	Vowles	297/429

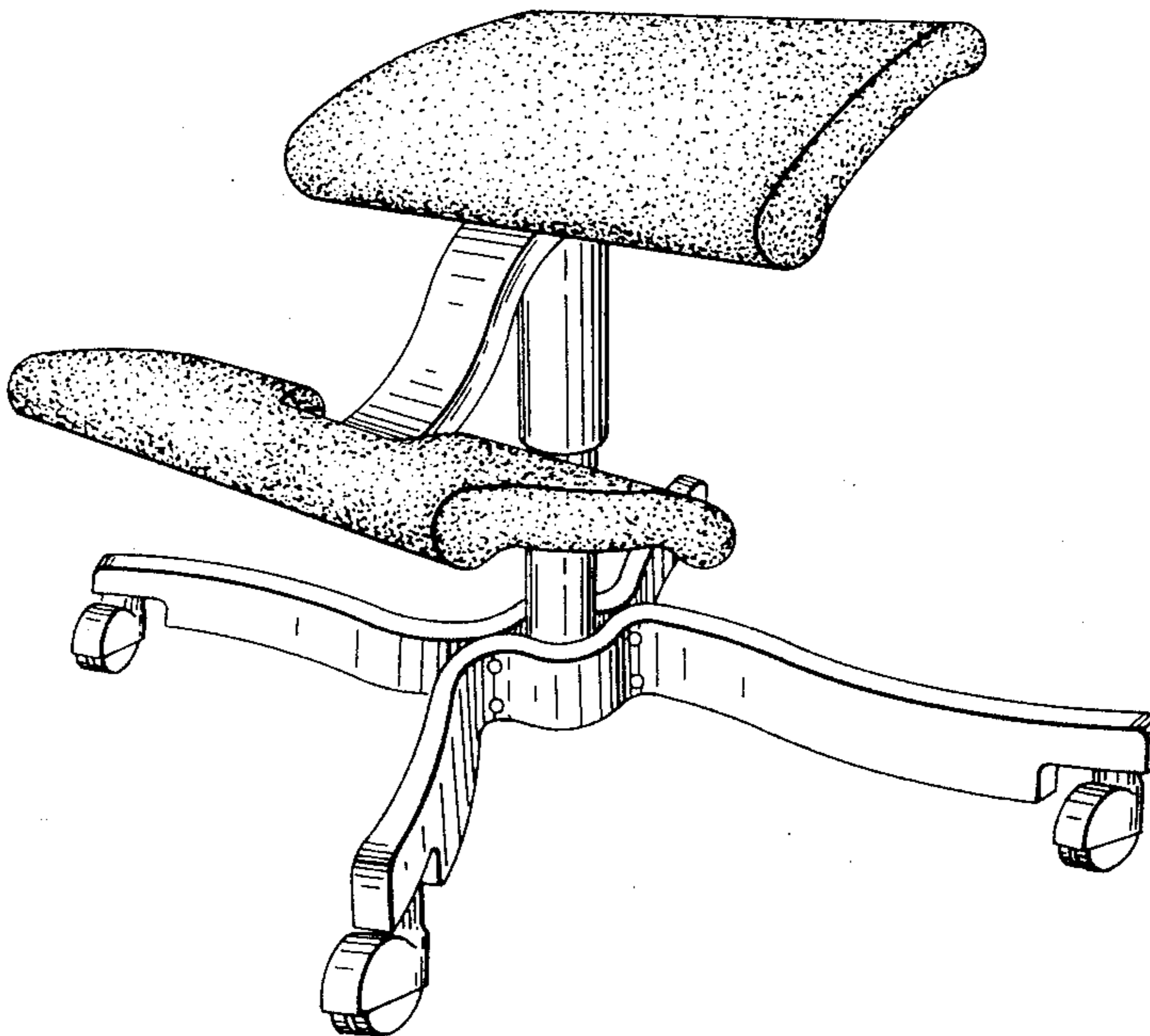
Primary Examiner—Bruce W. Dunkins
Attorney, Agent, or Firm—Darby & Darby

[57] CLAIM

The ornamental design for a chair, substantially as shown.

DESCRIPTION

FIG. 1 is a front perspective view from above of the chair embodying my new design; and FIG. 2 is a front perspective view from below of the chair.



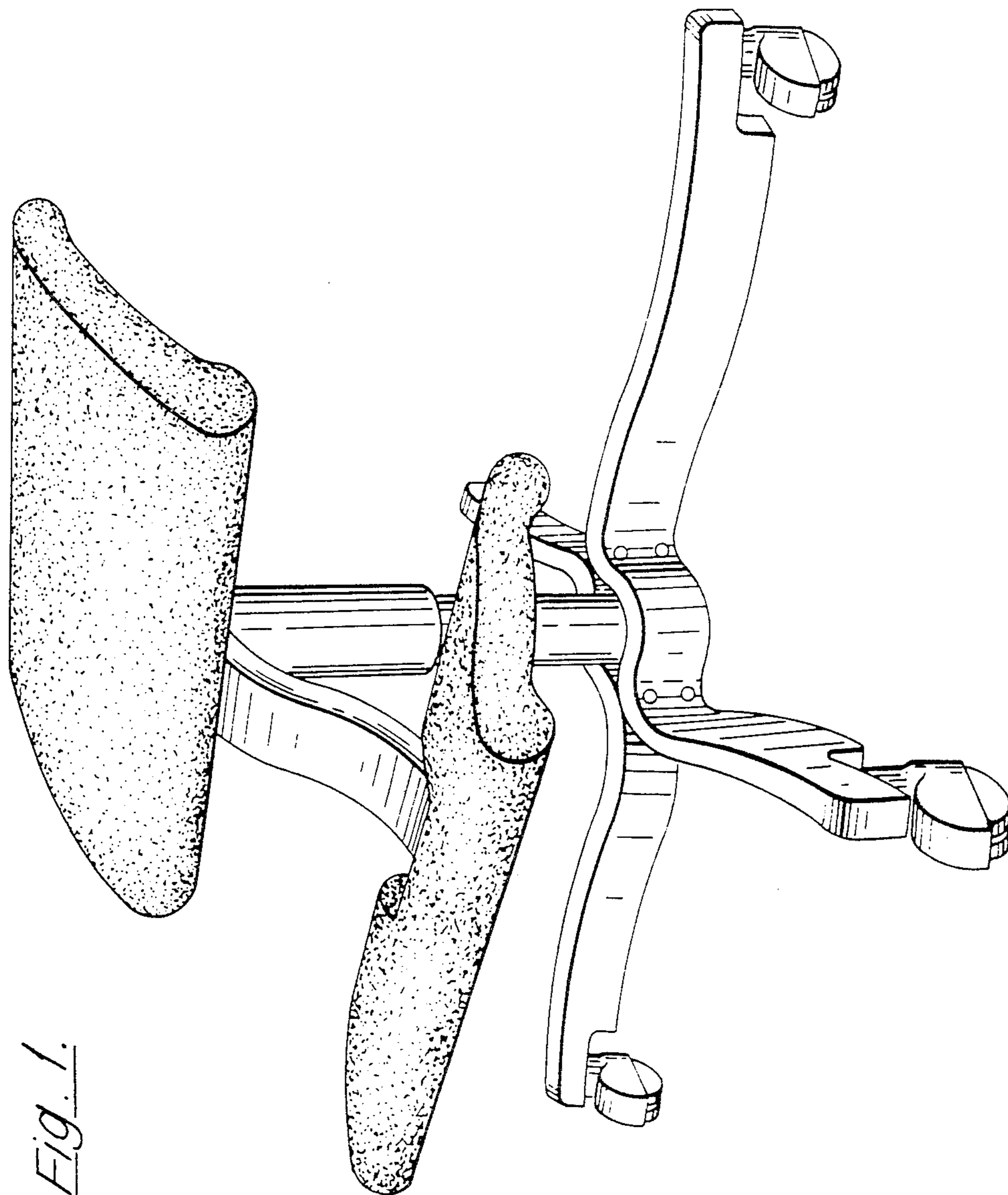


Fig. 1.

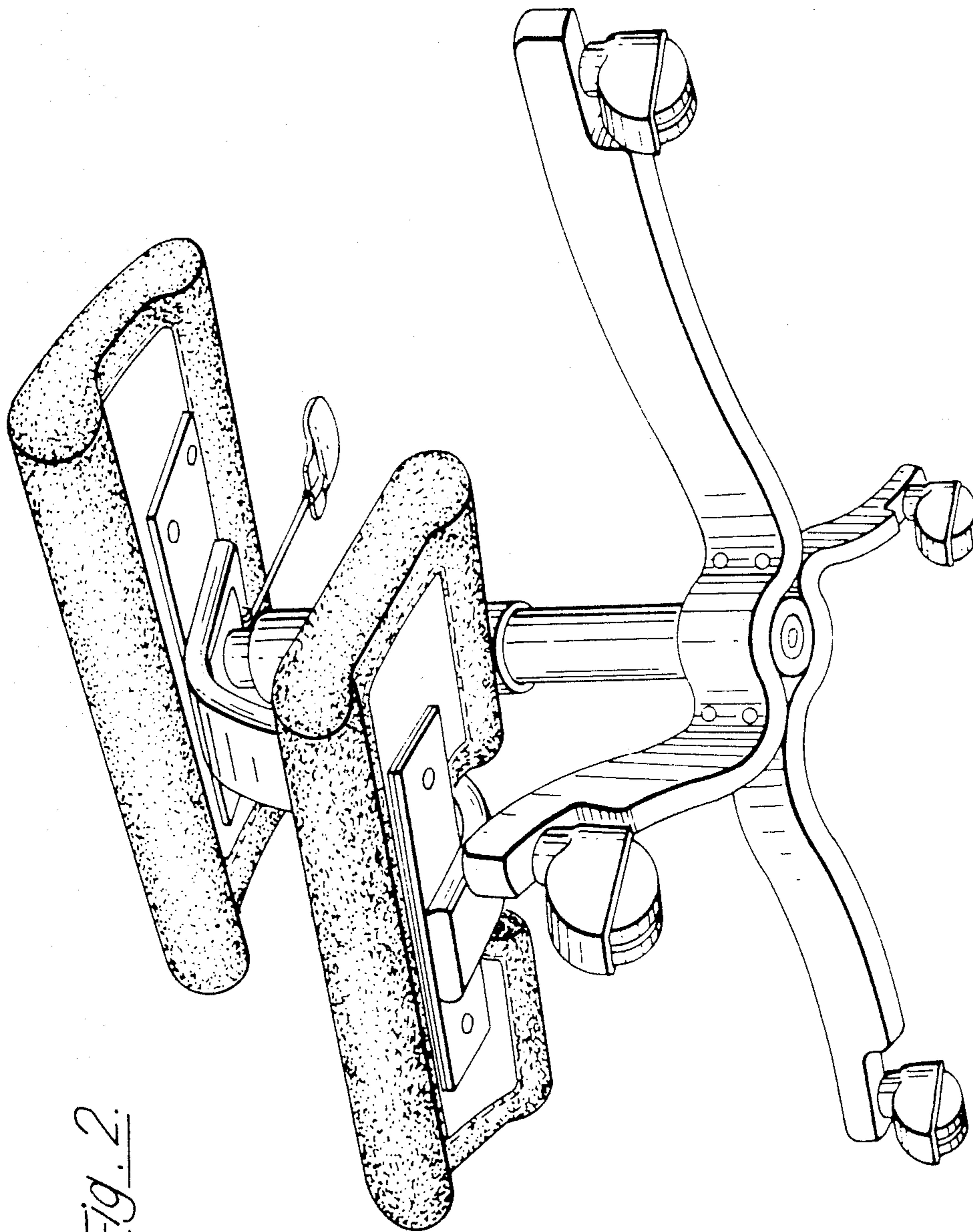


Fig. 2.