

[54] TOOTH BRUSH

[76] Inventor: Lillian Rothrock, P.O. Box 424, Blytheville, Ark. 72315

[**] Term: 14 Years

[21] Appl. No.: 645,953

[22] Filed: Aug. 31, 1984

[52] U.S. Cl. D4/111

[58] Field of Search D4/104-113; 128/62 A

4,220,144 9/1980 Balais 128/62 A
4,486,109 12/1984 Rosofsky 128/62 A X
4,543,679 10/1985 Rosofsky et al. 15/167 R X

FOREIGN PATENT DOCUMENTS

503714 7/1930 Fed. Rep. of Germany ... 128/62 A
573391 6/1924 France 128/62 A

Primary Examiner—Catherine E. Kemper
Attorney, Agent, or Firm—Dowell & Dowell

[57] CLAIM

The ornamental design for a tooth brush, as shown.

DESCRIPTION

FIG. 1 is a side elevation view of a tooth brush showing my new design, the opposite side view being identical; FIG. 2 is a bottom plan view thereof; FIG. 3 is a top plan view thereof; FIG. 4 is a left end view thereof; FIG. 5 is a cross sectional view thereof taken along line 5—5 of FIG. 1; and FIG. 6 is a right end view thereof.

[56] References Cited

U.S. PATENT DOCUMENTS

D. 47,669 8/1915 Hunt D4/105
D. 100,558 7/1936 Hachman 15/167 R
D. 102,048 11/1936 Brothers et al. D4/105
1,153,409 9/1915 Wheeler 128/62 A
2,110,315 3/1938 Wolfson 128/62 A
2,189,175 2/1940 Jackson 128/62 A
2,798,241 7/1957 Cohen 15/167 R X

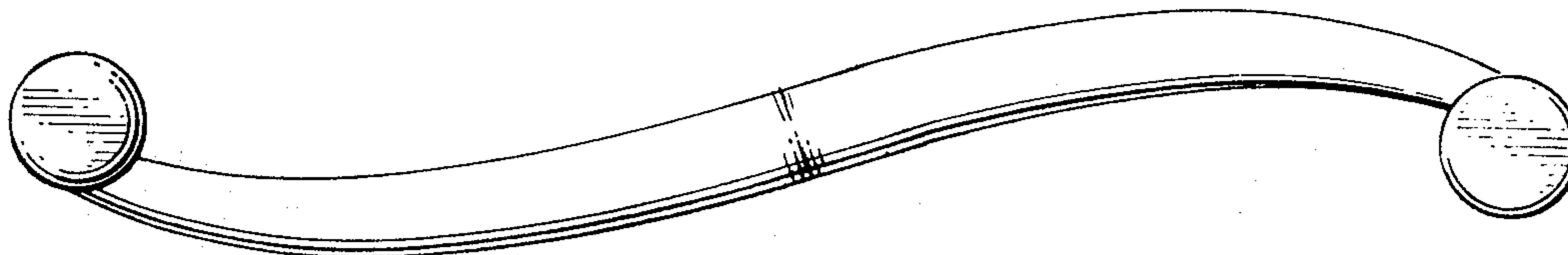
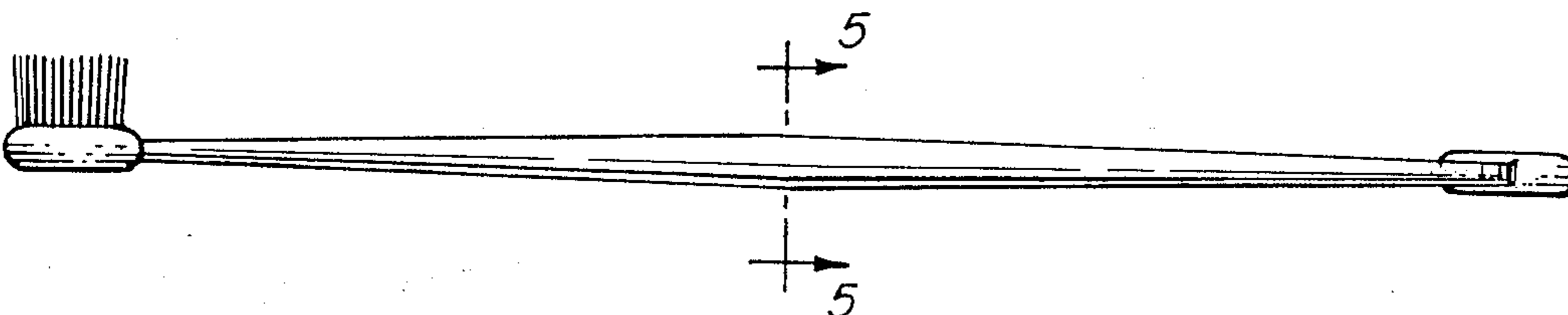


FIG. 1.

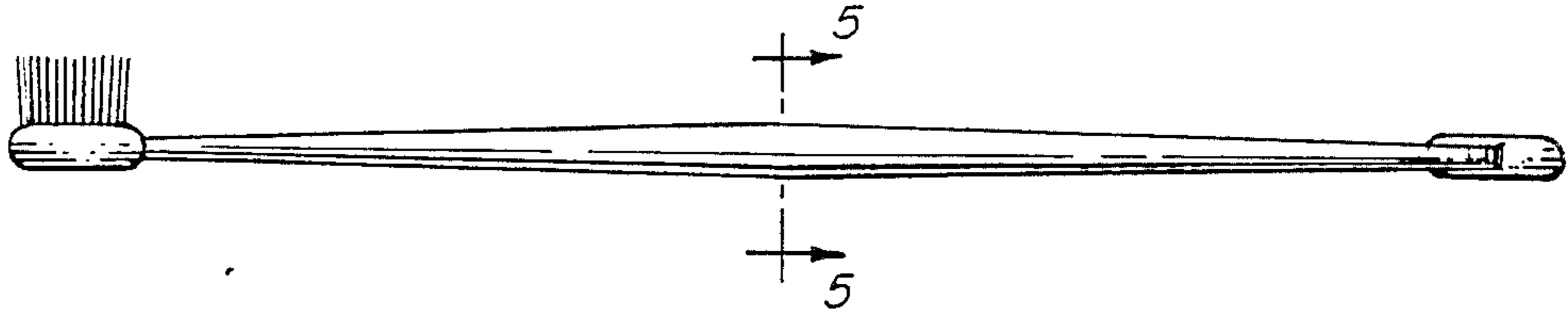


FIG. 2.

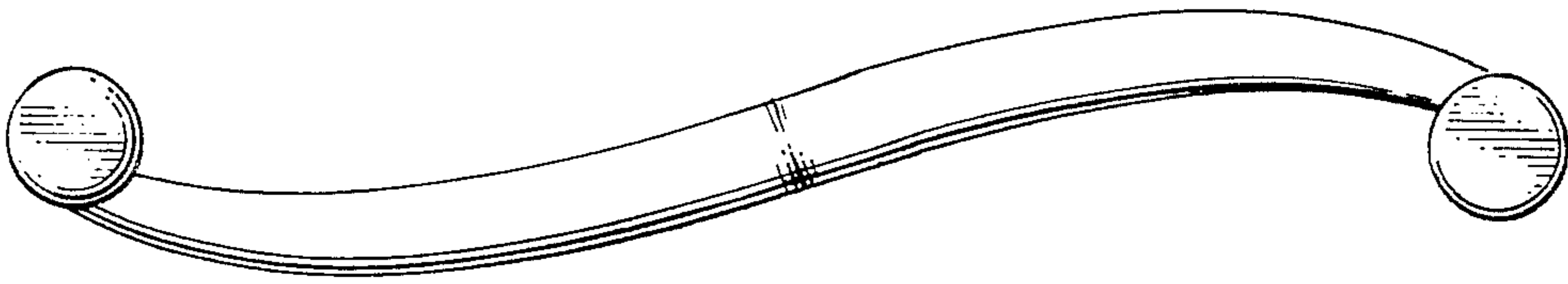


FIG. 3.

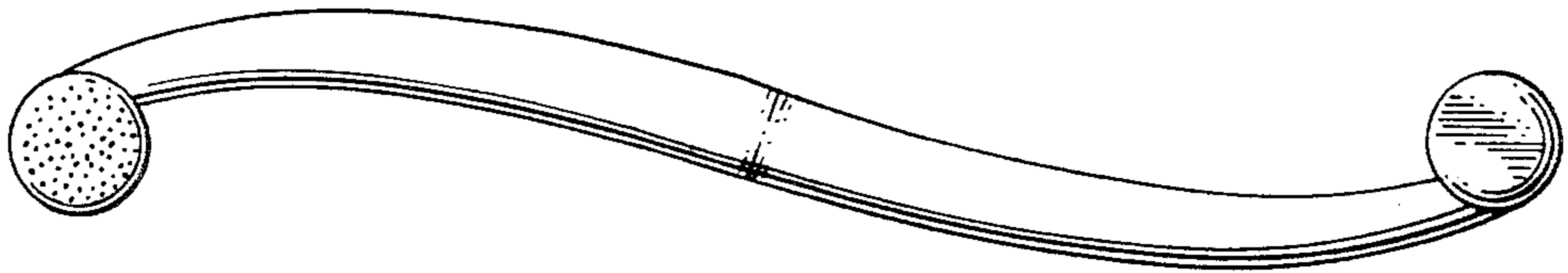


FIG. 4.



FIG. 5.

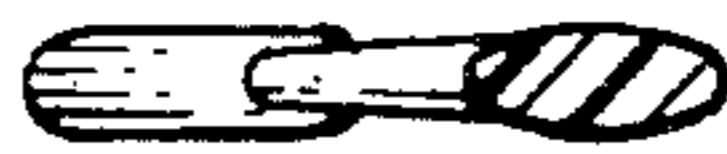


FIG. 6.

