

[54] LAMP

[76] Inventor: **Henricus J. Ansems**,
Spoortwegstraat 14, 6828 AS
Arnhem, Netherlands

[**] Term: **14 Years**

[21] Appl. No.: **486,503**

[22] Filed: **Apr. 19, 1983**

[30] **Foreign Application Priority Data**

Oct. 19, 1982 [DE] Fed. Rep. of
Germany DMA/000157

[52] U.S. Cl. **D26/60; D26/61**

[58] Field of Search **D26/60-66;**
362/269, 271, 275, 277, 279, 413, 414, 418, 427

[56] **References Cited**

U.S. PATENT DOCUMENTS

D. 238,959 2/1976 Kurokawa D26/62
2,107,914 2/1938 Stricker et al. D26/61 X

FOREIGN PATENT DOCUMENTS

285933 9/1952 Switzerland 362/413

OTHER PUBLICATIONS

Abitare Supplement-Lamps, p. 13, "Turisella" Lamp.
Interiors, 2-1981, p. 28, Adjustable Lamp (bottom right
corner).

Primary Examiner—Susan J. Lucas
Attorney, Agent, or Firm—Nims, Howes, Collison &
Isner

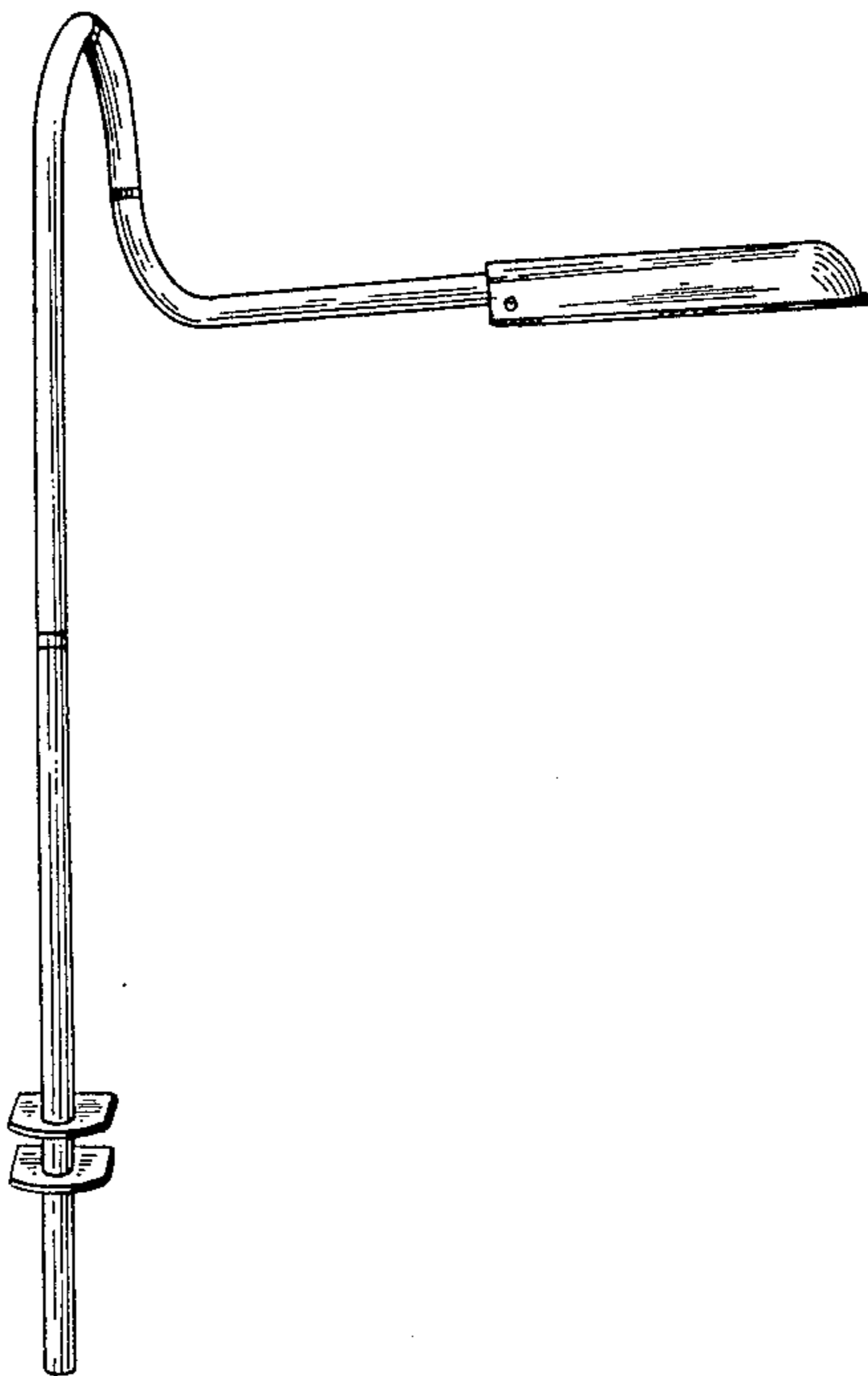
[57] **CLAIM**

The ornamental design for a lamp, or similar article
substantially as shown and described.

DESCRIPTION

FIGS. 1, 2, 3 and 4 are perspective views of a lamp or
similar article showing my new design, the adjustable
lamp being shown in alternate positions.

FIG. 5 is a similar perspective view thereof showing the
side of the clamp and the under-surface of the lamp
housing assembly.



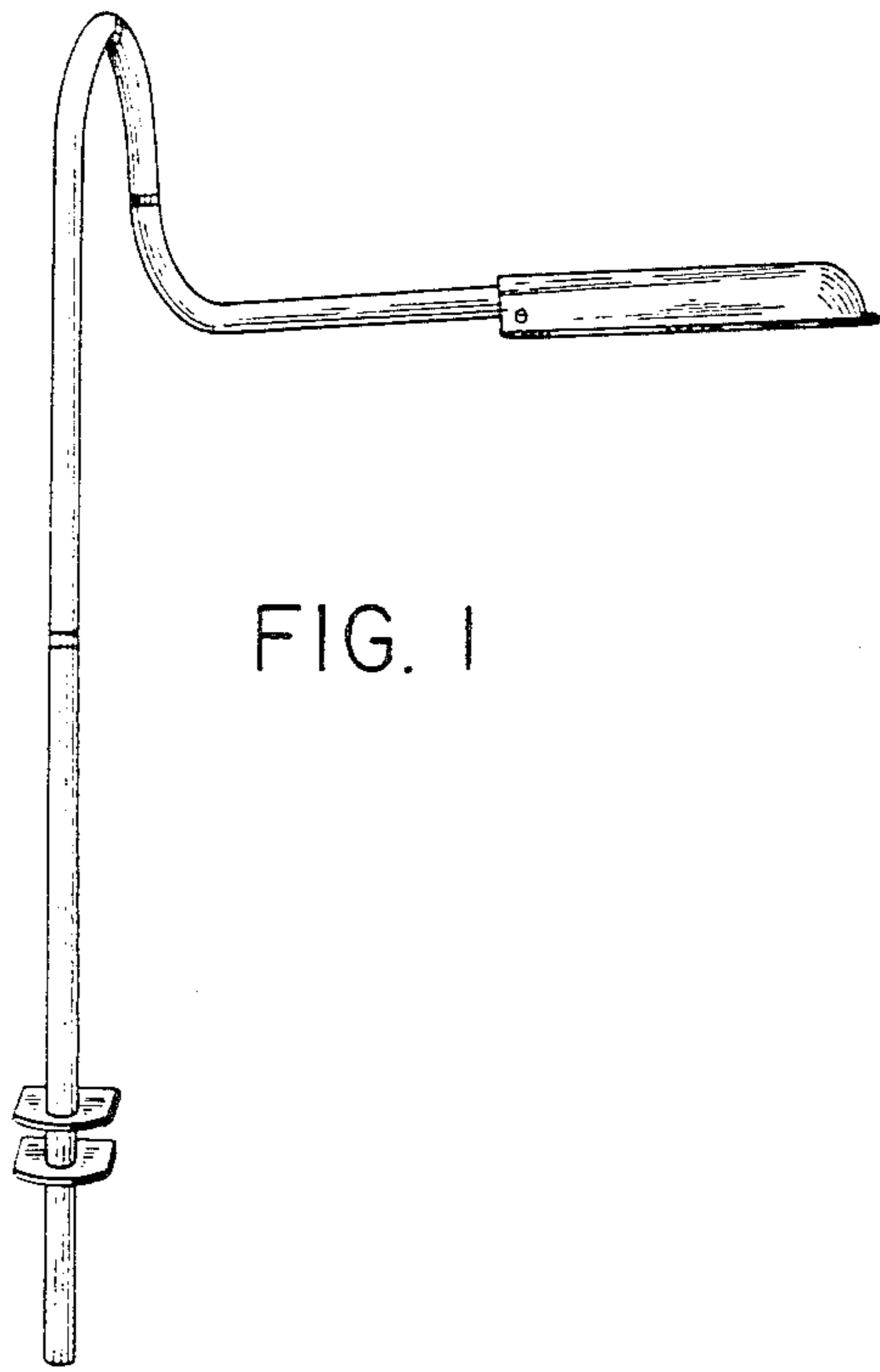


FIG. 1

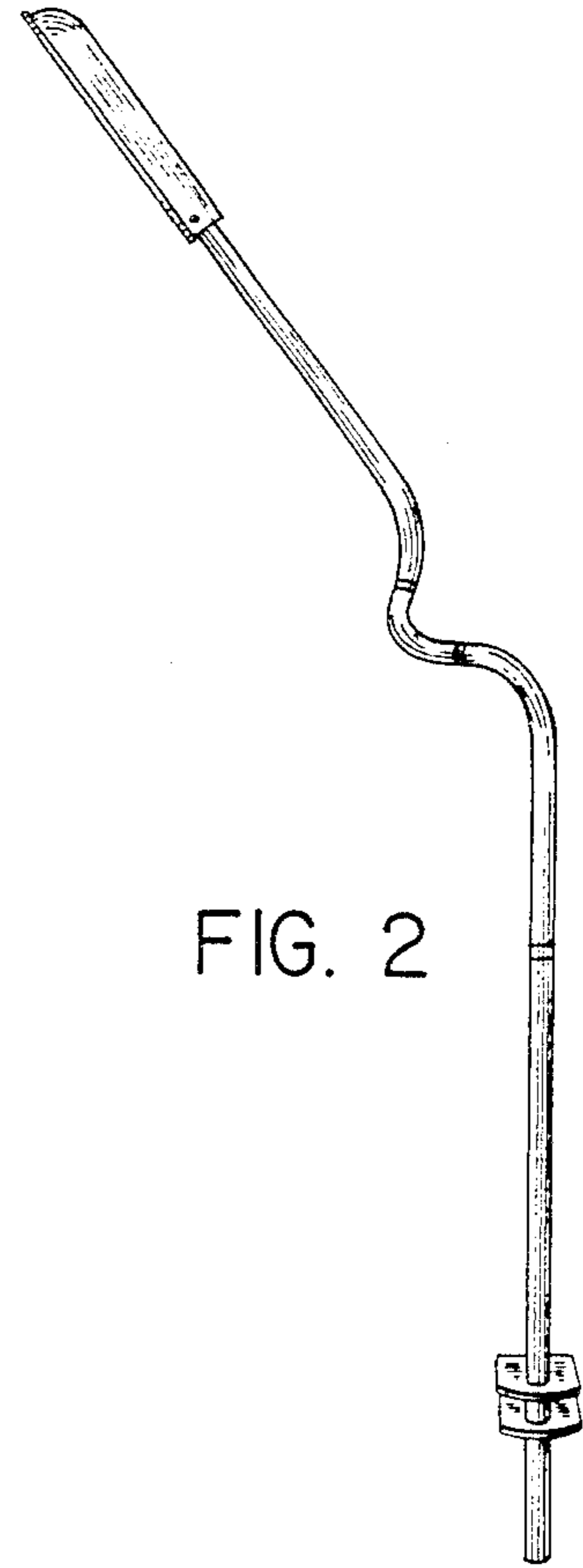


FIG. 2

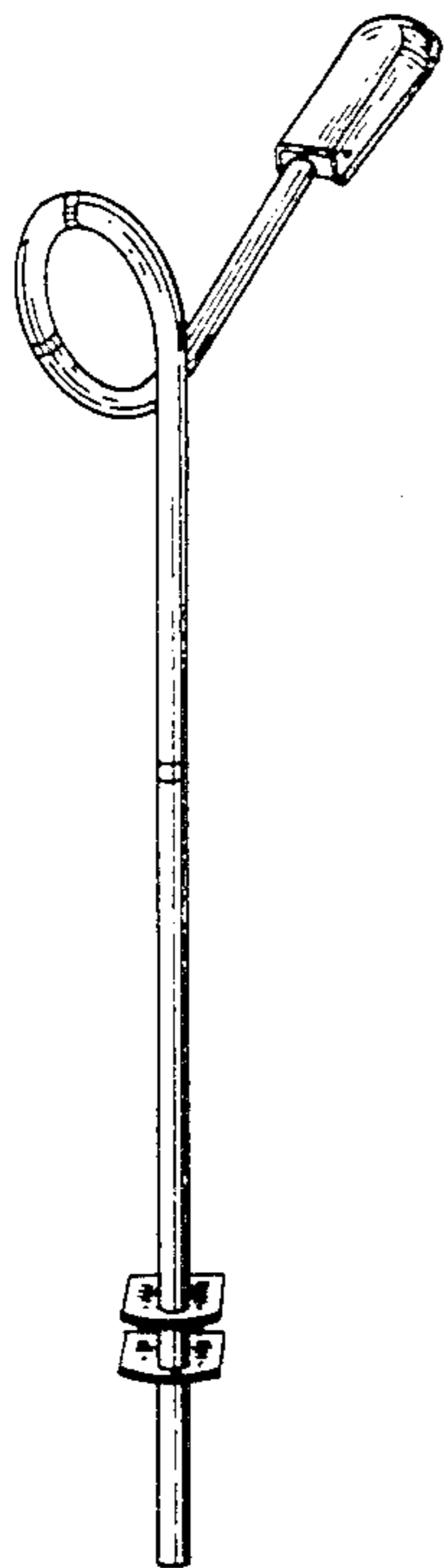


FIG. 3

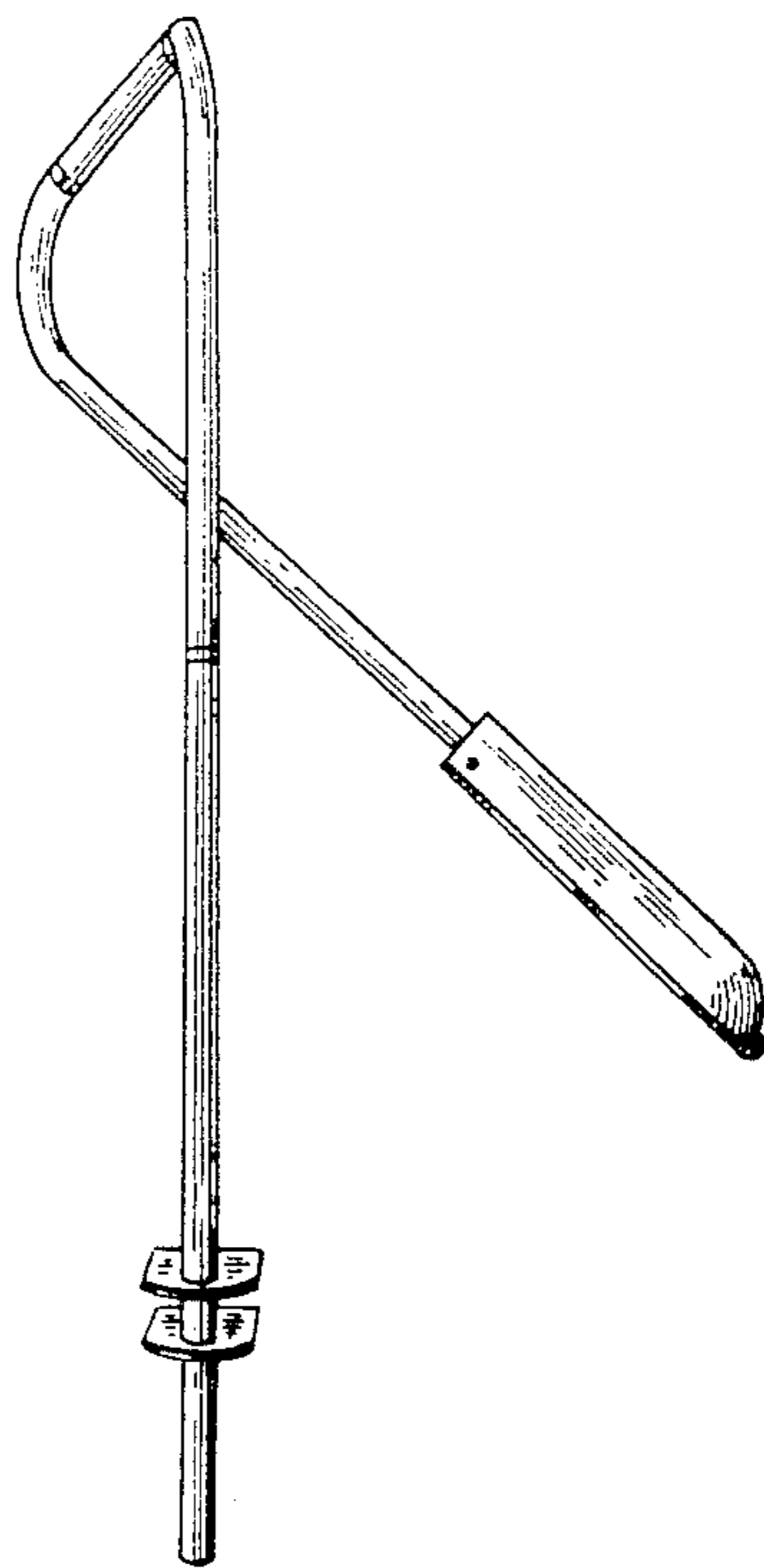


FIG. 4

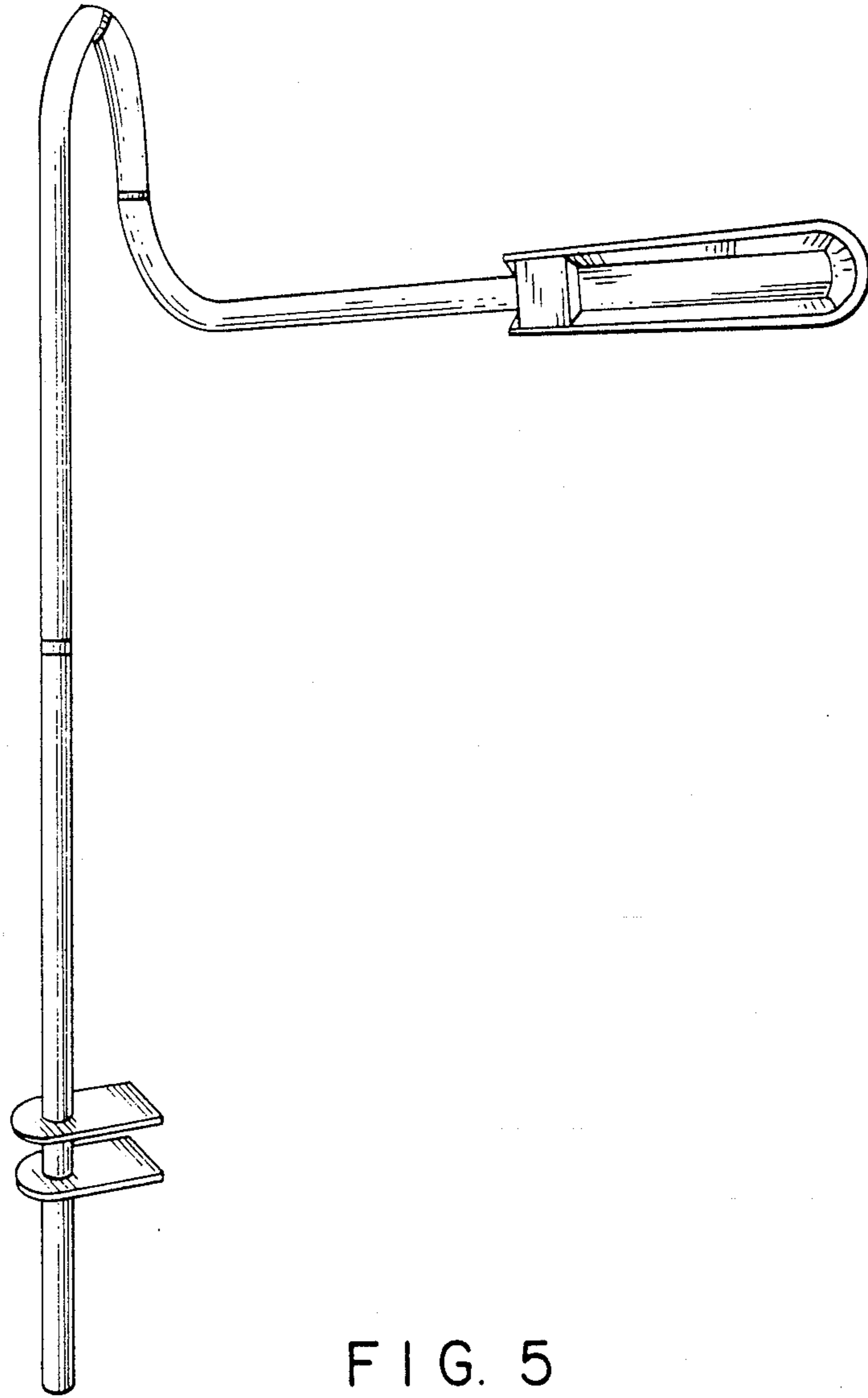


FIG. 5