

[54] **VENT SILL RAIL EXTRUSION**

Primary Examiner—A. Hugo Word
Attorney, Agent, or Firm—Macdonald J. Wiggins

[76] **Inventor: Joseph C. Bancroft, 102 Sweetwater Club Blvd., Longwood, Fla. 32750**

[57] **CLAIM**

[**] **Term: 14 Years**

The ornamental design for a vent sill rail extrusion, as shown and described.

[21] **Appl. No.: 720,623**

DESCRIPTION

[22] **Filed: Apr. 5, 1985**

FIG. 1 is a fragmentary top perspective view of the vent sill rail extrusion showing my new design;

[52] **U.S. Cl. D25/74**

FIG. 2 is a left elevational view thereof broken away to indicate indeterminate length;

[58] **Field of Search D25/52, 73-76; 49/419, 504, DIG. 2; 52/202**

FIG. 3 is a right elevational view thereof broken away to indicate indeterminate length; and

[56] **References Cited**

U.S. PATENT DOCUMENTS

D. 251,446 3/1979 Bancroft et al. D25/74

FIG. 4 is a front elevational view to a reduced scale in which the rear elevational view is a mirror image of the front view.

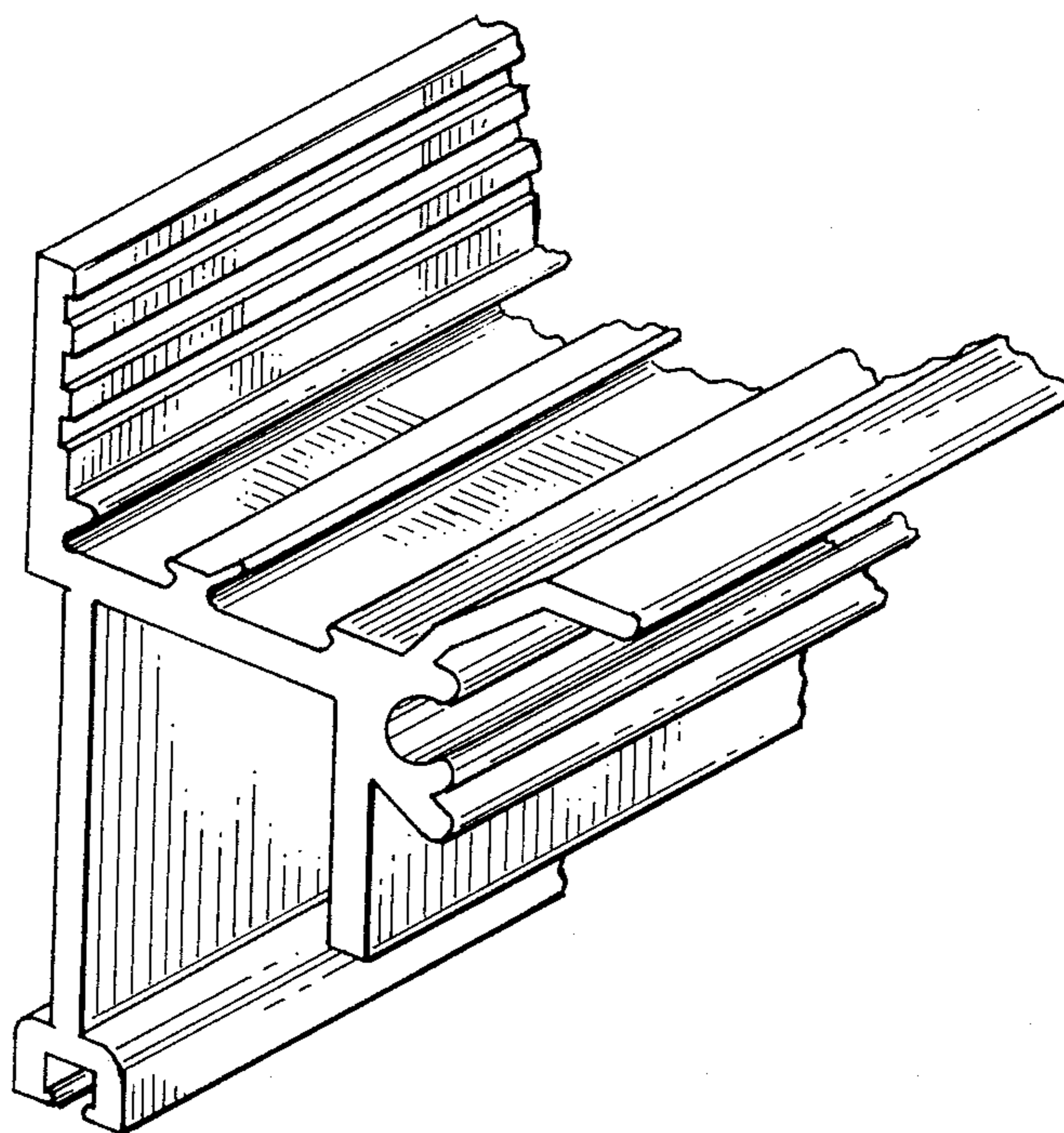


FIG. 1

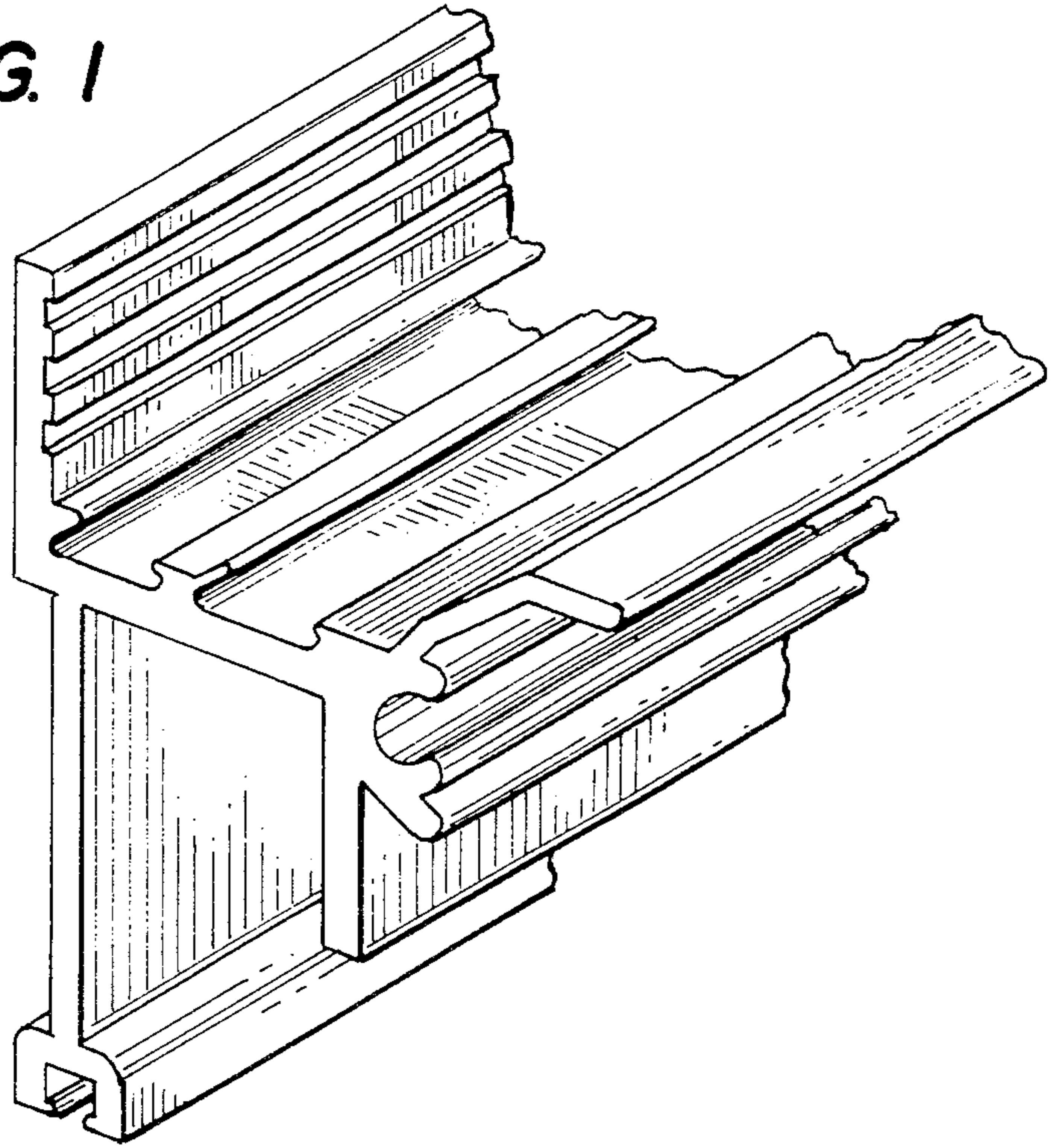


FIG. 4

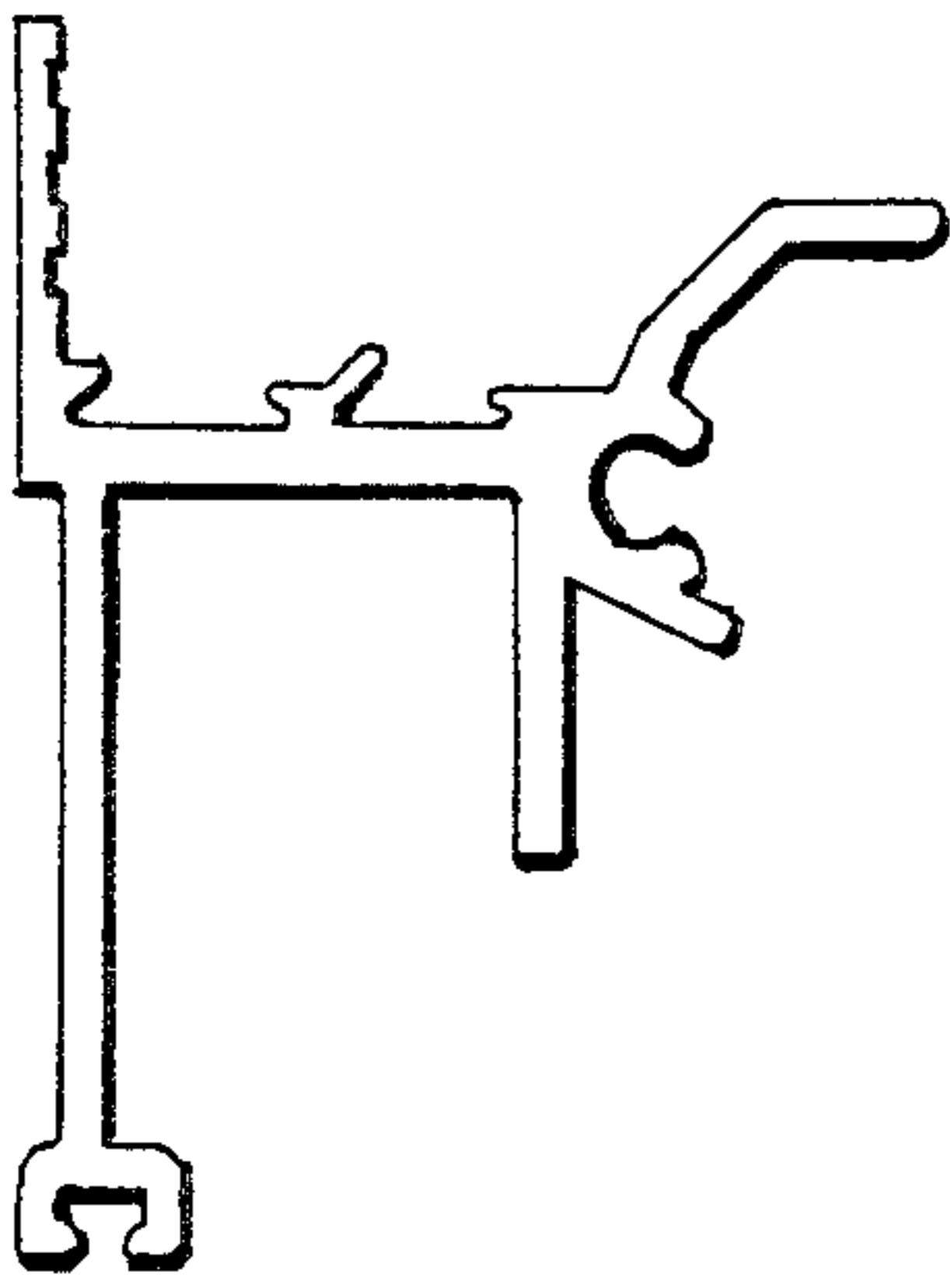


FIG. 2

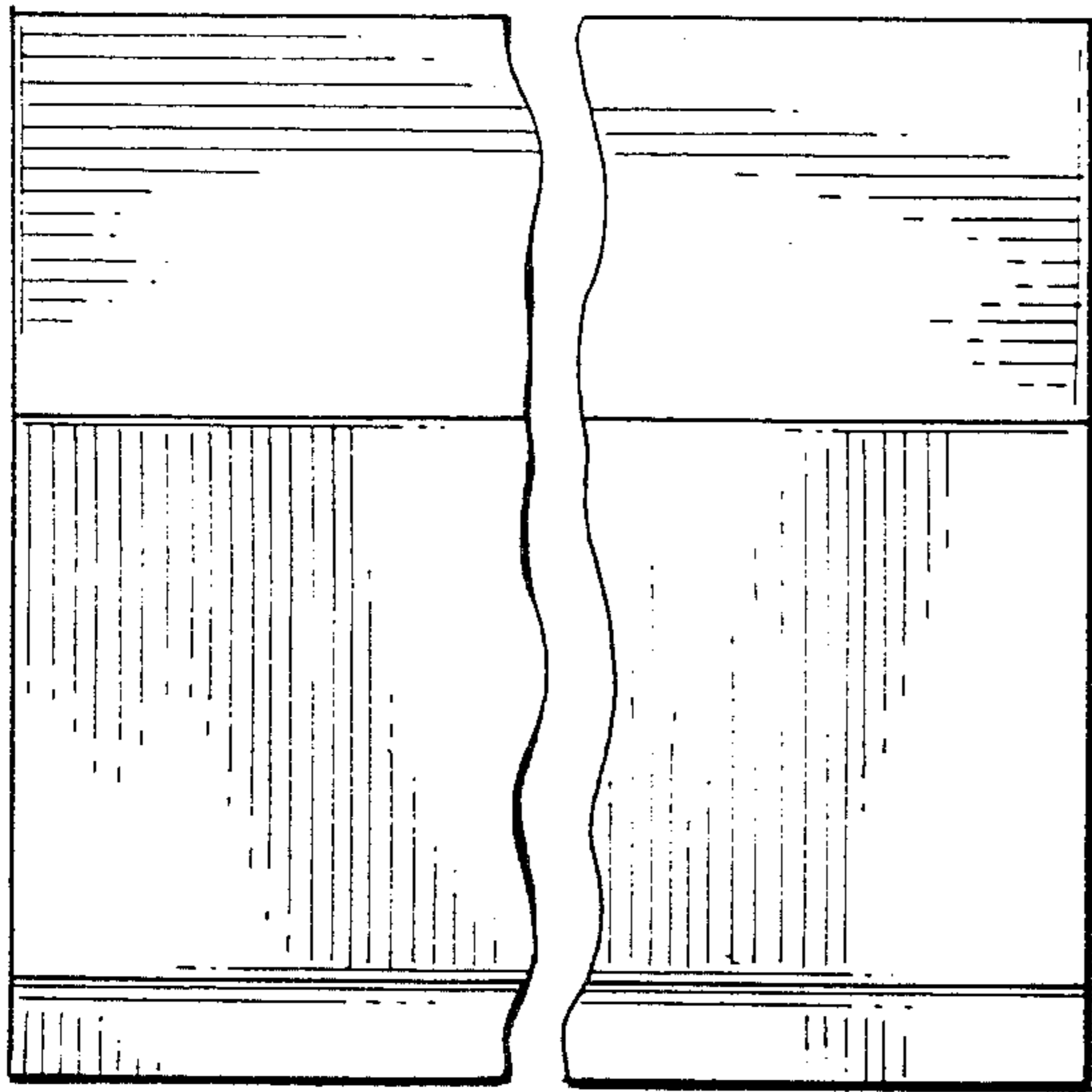


FIG. 3

