

[54] **FRAME SILL EXTRUSION**

[76] **Inventor: Joseph C. Bancroft**, 102 Sweetwater Club Blvd., Longwood, Fla. 32750

[**] **Term: 14 Years**

[21] **Appl. No.: 720,619**

[22] **Filed: Apr. 5, 1985**

[52] **U.S. Cl. D25/74**

[58] **Field of Search D25/52, 73-76; 49/419, 504, DIG. 2; 52/202**

[56] **References Cited**

U.S. PATENT DOCUMENTS

D. 251,447	3/1979	Bancroft et al.	D25/74
D. 251,504	4/1979	Bancroft et al.	D25/74
4,048,774	9/1977	Yamamoto	D25/74 X

Primary Examiner—A. Hugo Word
Attorney, Agent, or Firm—Macdonald J. Wiggins

[57] **CLAIM**

The ornamental design for a frame sill extrusion, as shown and described.

DESCRIPTION

FIG. 1 is a fragmentary top perspective view of the frame sill extrusion showing my design;
FIG. 2 is a top plan view broken away to indicate indeterminate length;
FIG. 3 is a bottom plan view thereof broken away to indicate indeterminate length; and
FIG. 4 is a front elevational view thereof to a reduced scale in which the rear elevational view is a mirror image of the front view.

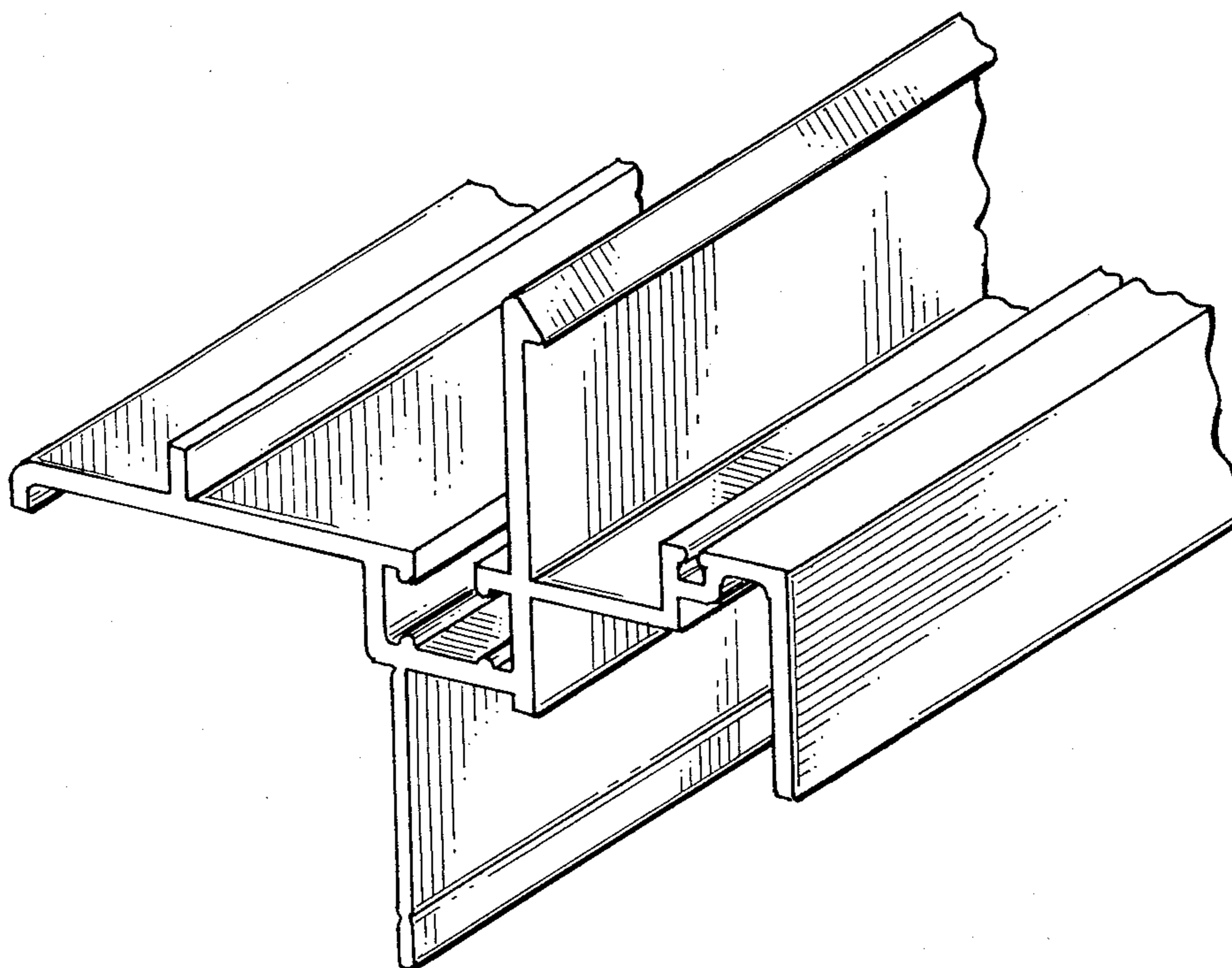


FIG. 1

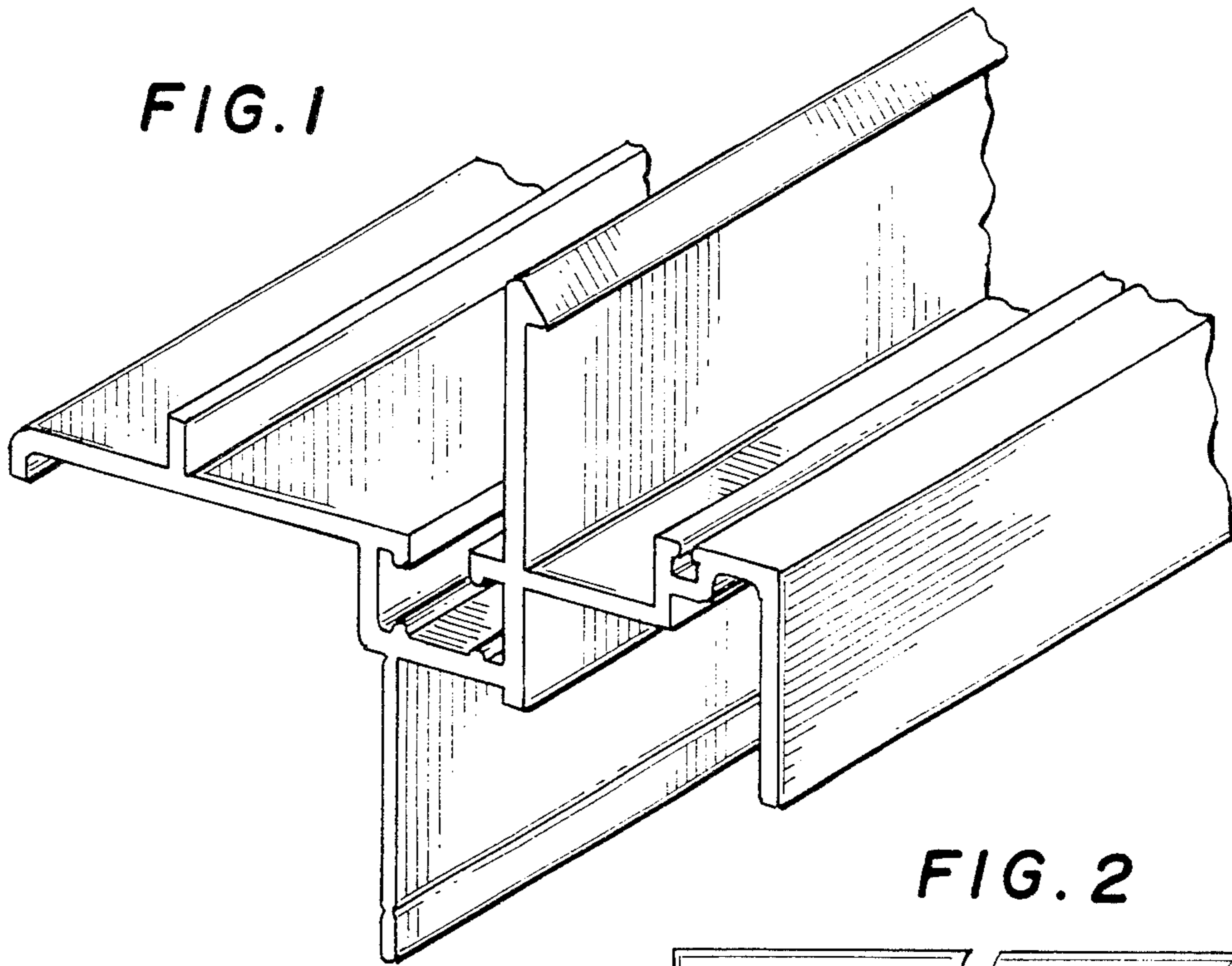


FIG. 2

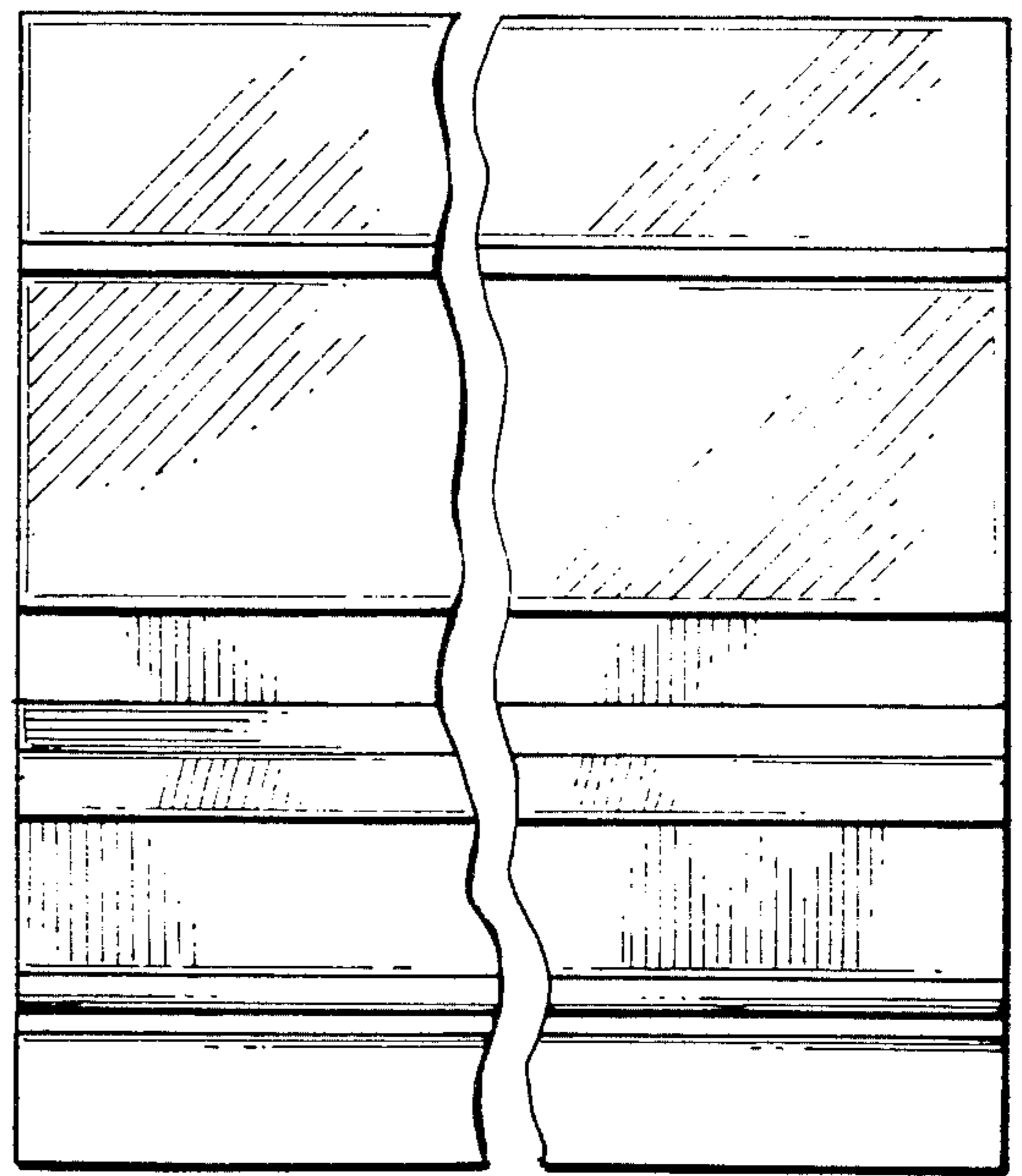


FIG. 3

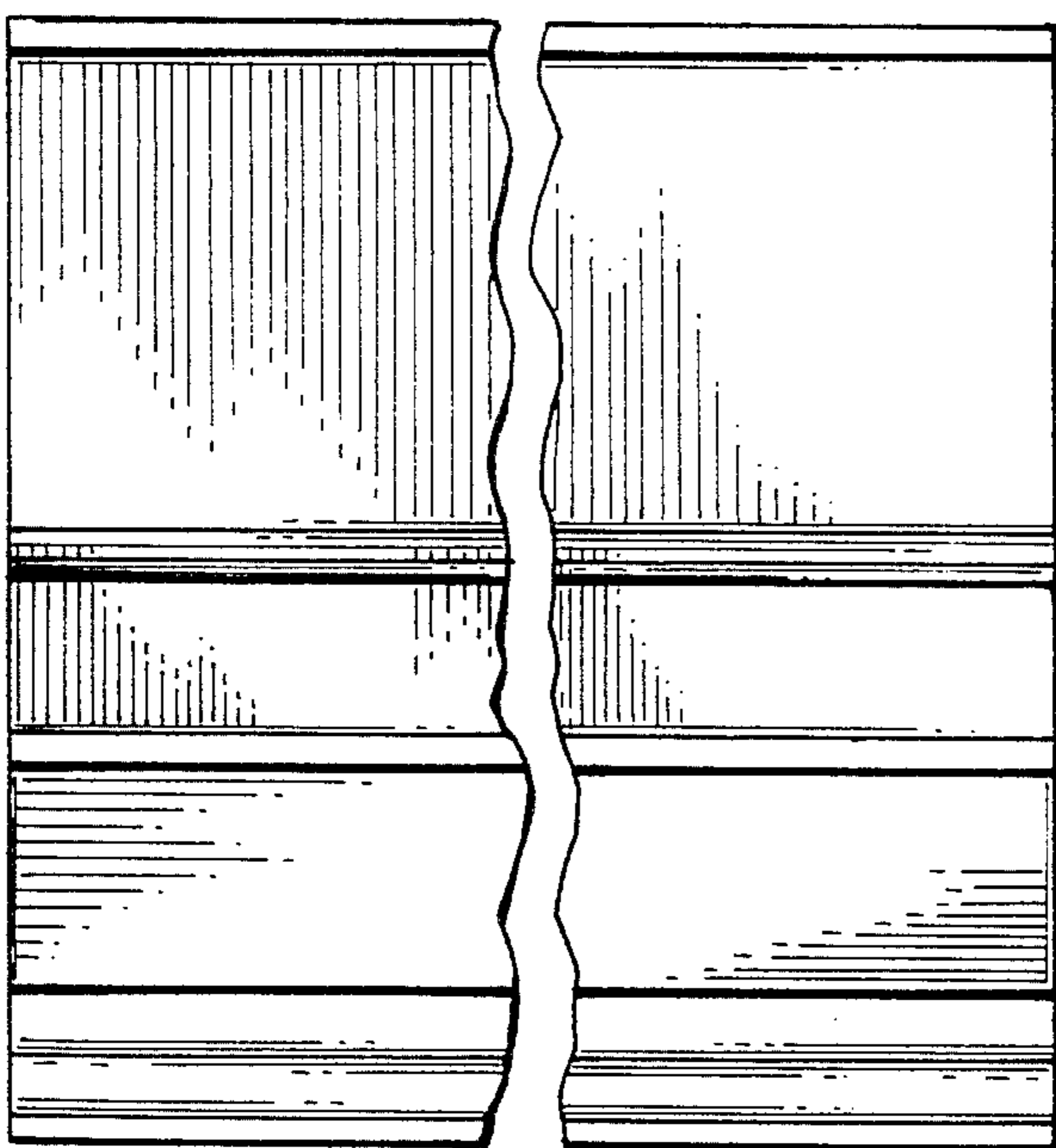


FIG. 4

