

[54] FRAME HEAD EXTRUSION

Attorney, Agent, or Firm—Macdonald J. Wiggins

[76] Inventor: Joseph C. Bancroft, 102 Sweetwater Club Blvd., Longwood, Fla. 32750

[57] CLAIM

The ornamental design for a frame head extrusion, as shown and described.

[**] Term: 14 Years

DESCRIPTION

[21] Appl. No.: 720,617

[22] Filed: Apr. 5, 1985

[52] U.S. Cl. D25/74

[58] Field of Search D25/52, 73-76; 49/419, 504, DIG. 2; 52/202

FIG. 1 is a fragmentary top perspective view of the frame head extrusion showing my design; FIG. 2 is a front elevational view thereof in which the rear view thereof is a mirror image of the front view; FIG. 3 is a top plan view thereof broken away to indicate indeterminate length; and FIG. 4 is a bottom plan view thereof broken away to indicate indeterminate length; FIG. 5 is a left elevational view thereof broken away to indicate indeterminate length; and FIG. 6 is a right elevational view thereof broken away to indicate indeterminate length.

[56] References Cited

U.S. PATENT DOCUMENTS

- D. 251,447 3/1979 Bancroft et al. D25/74
- D. 251,504 4/1979 Bancroft et al. D25/74
- 4,048,774 9/1977 Yamamoto D25/74 X

Primary Examiner—A. Hugo Word

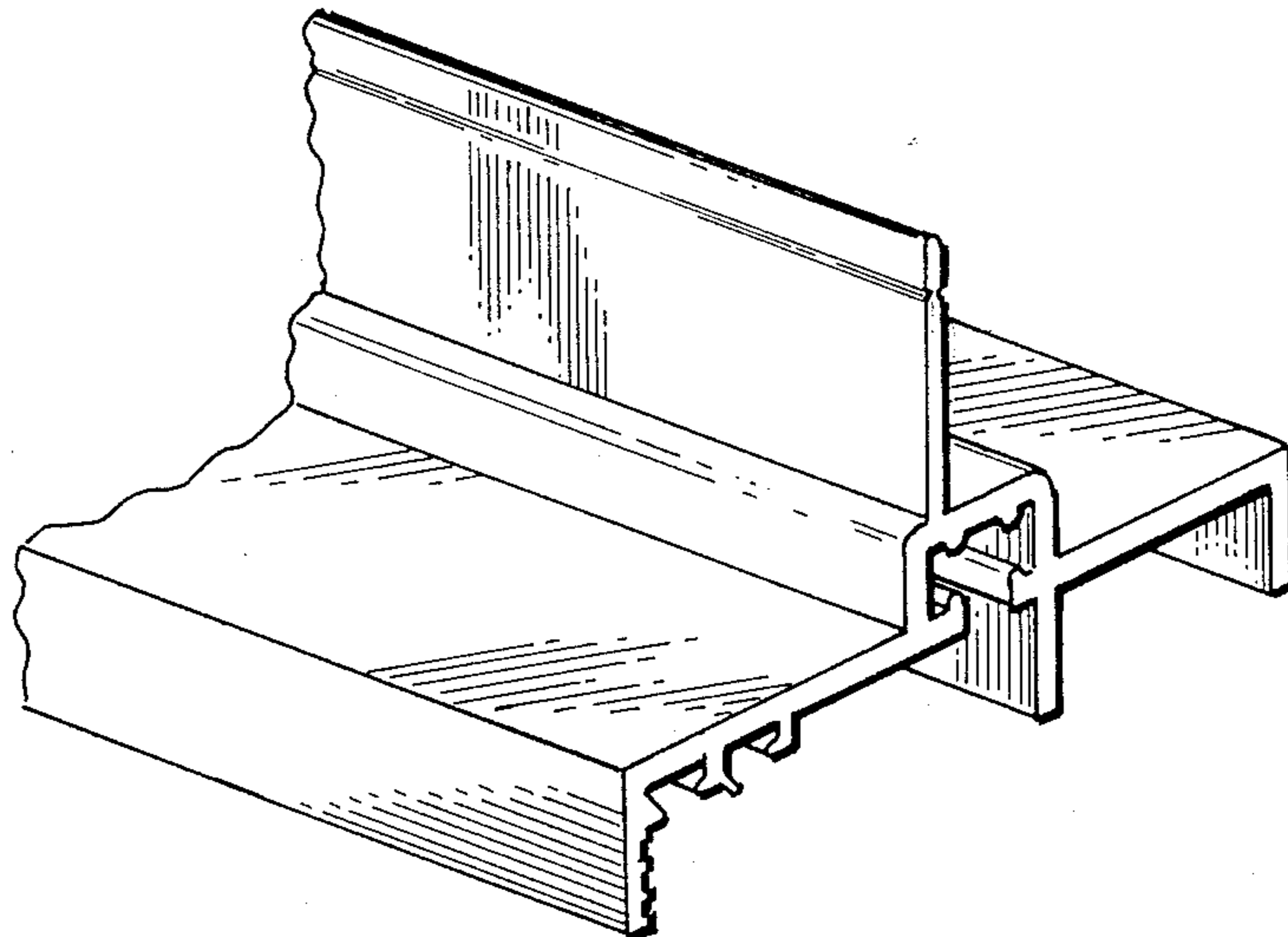


FIG. 1

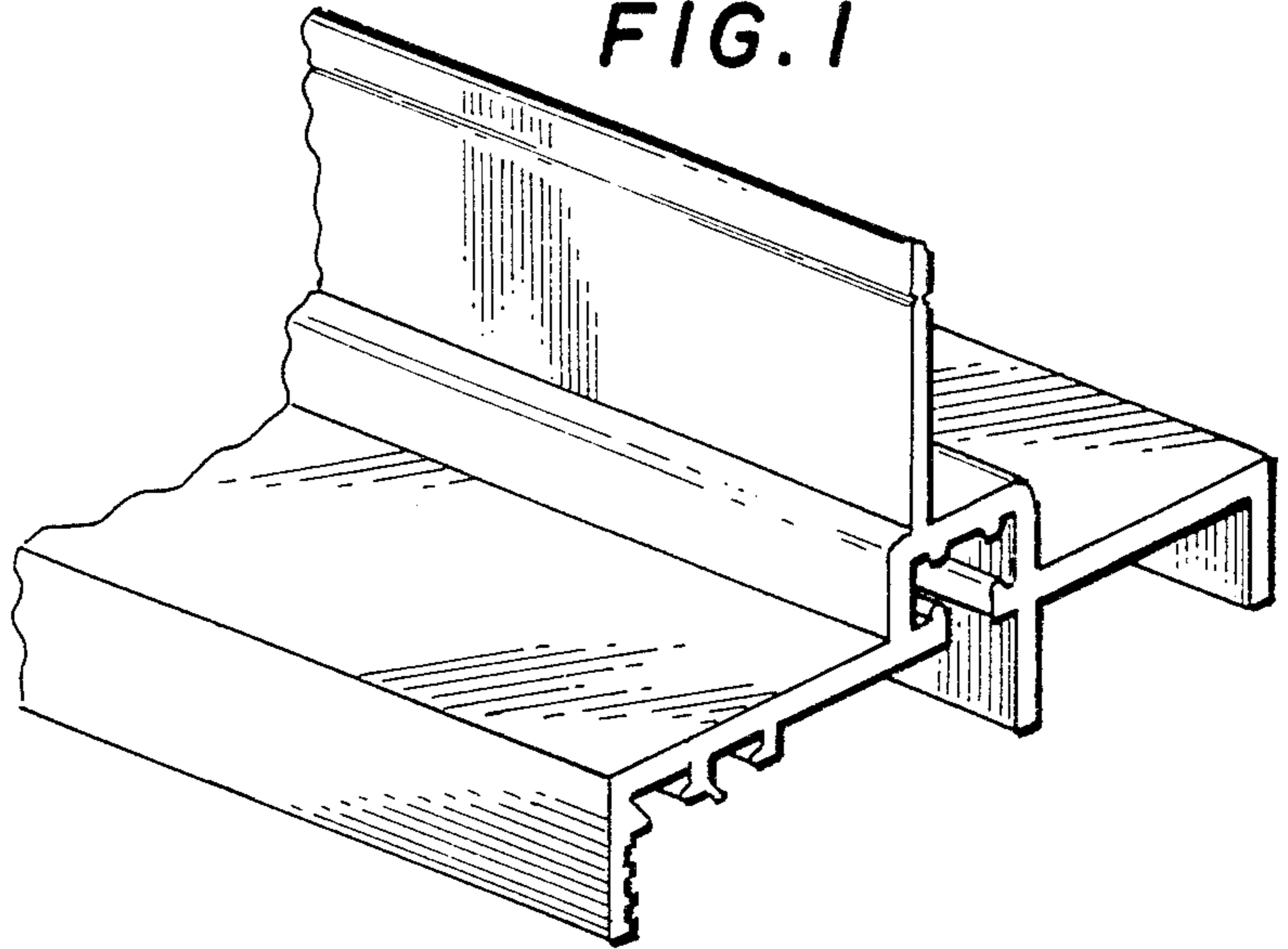


FIG. 2

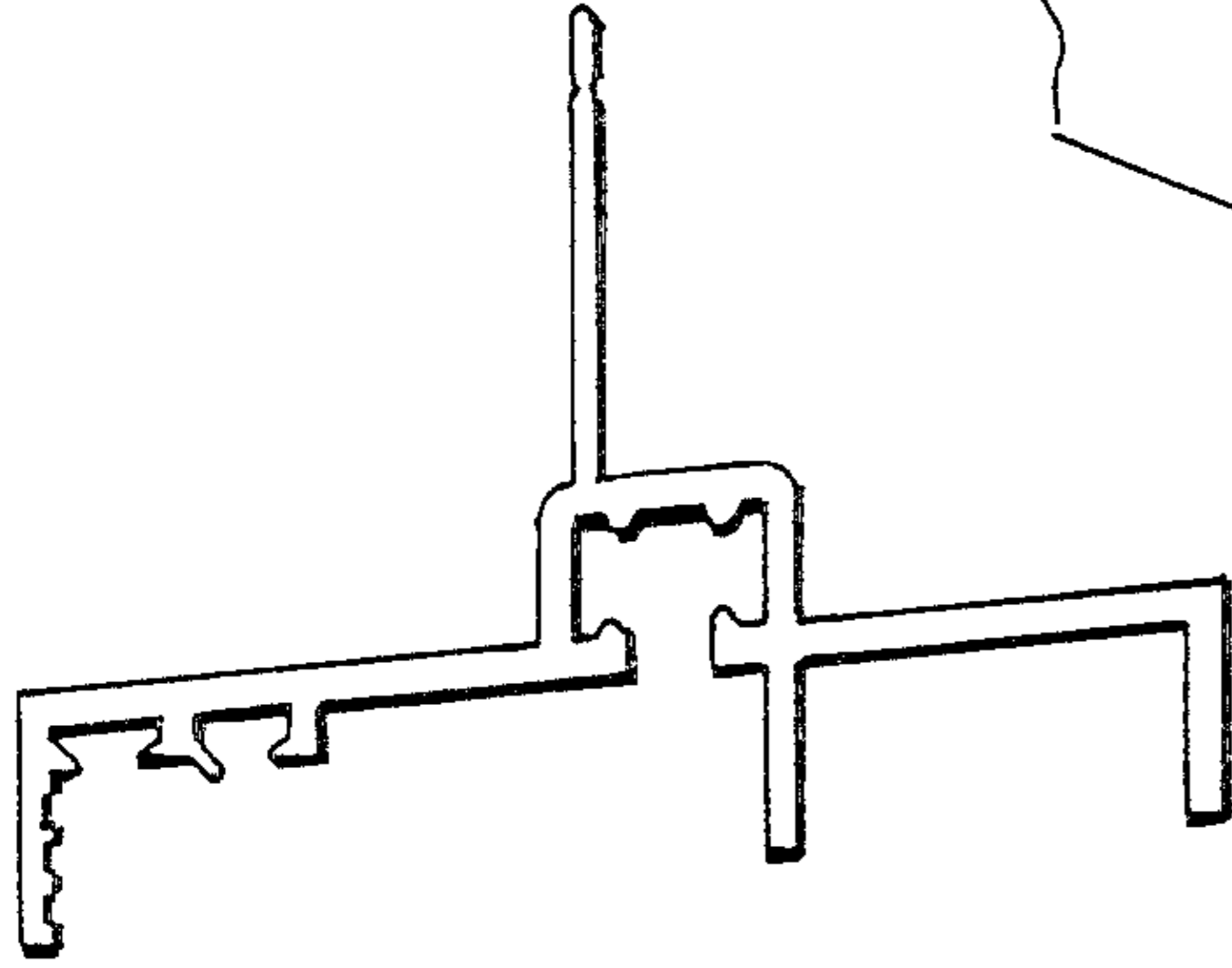


FIG. 3

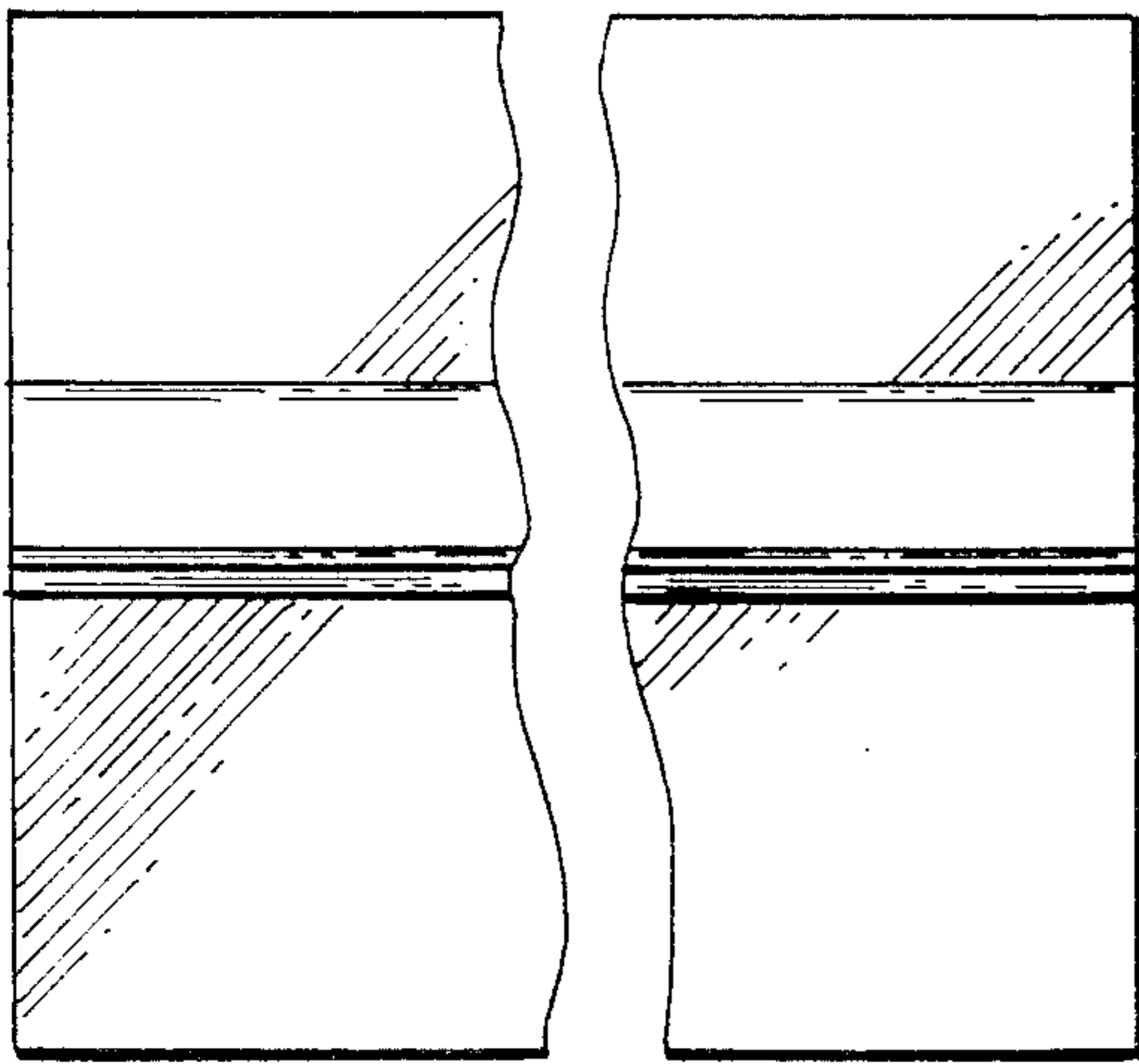


FIG. 4

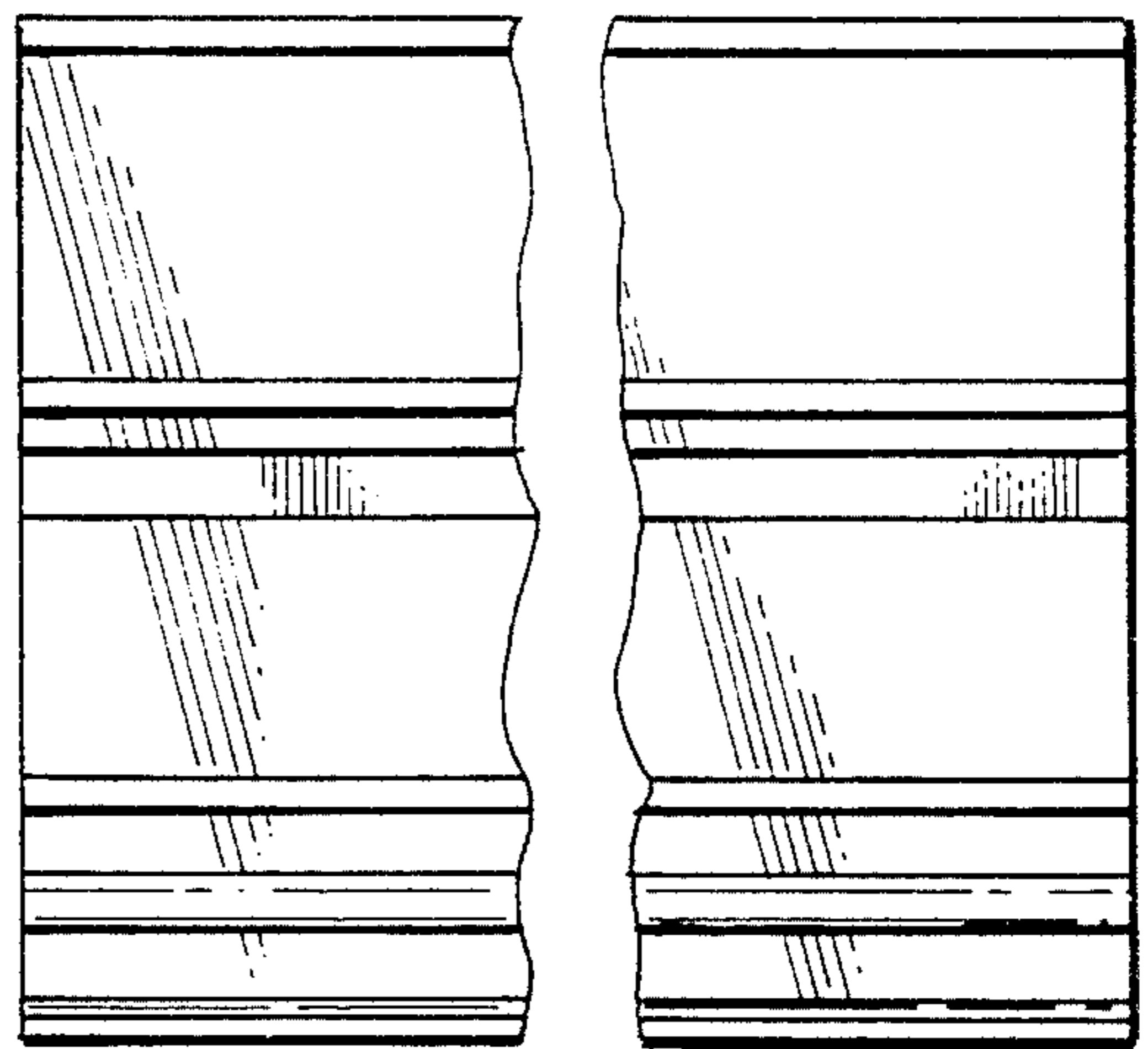


FIG. 5

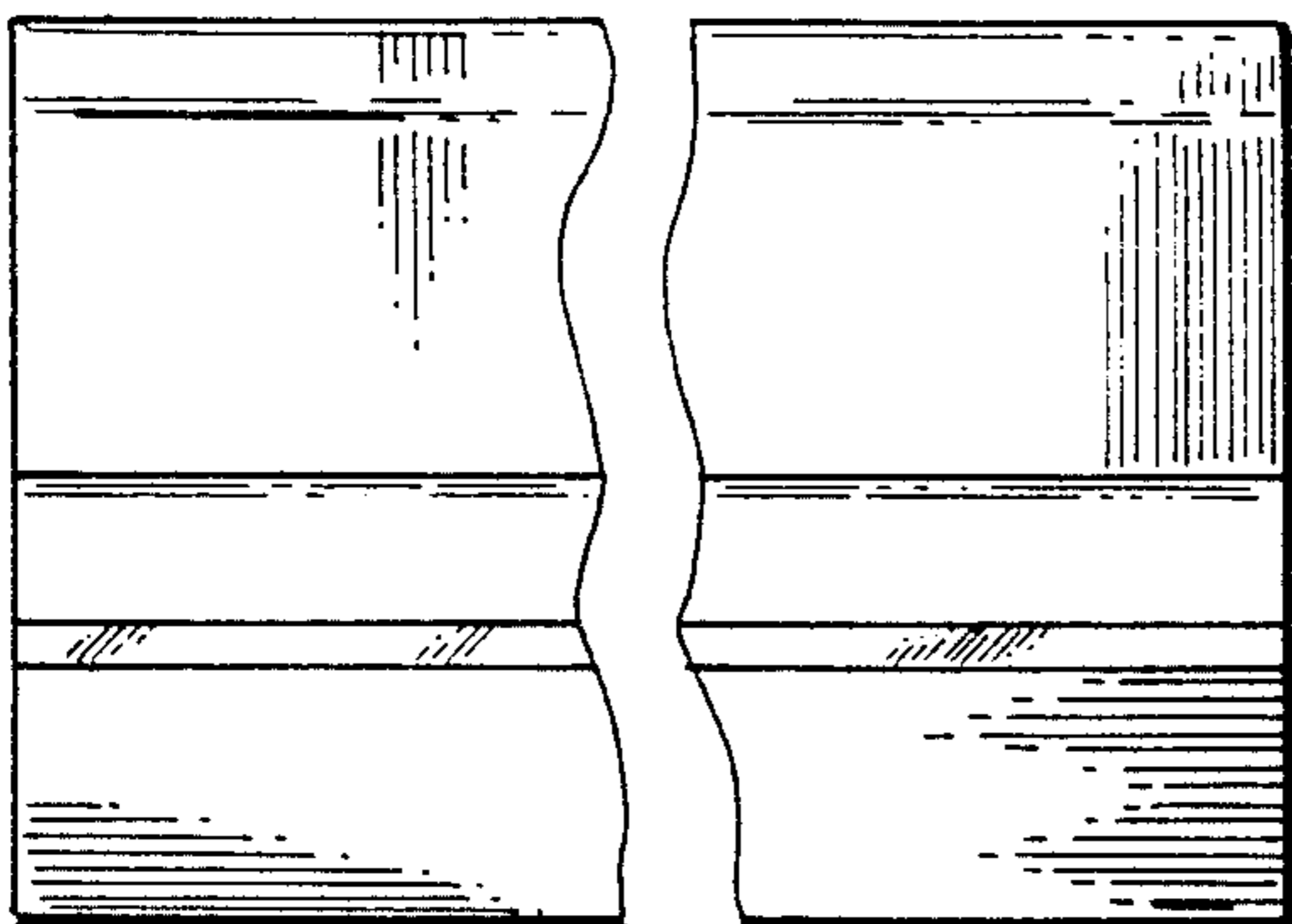


FIG. 6

