

[54] **VENT SILL JAMB EXTRUSION**

[76] **Inventor: Joseph C. Bancroft, 102 Sweetwater Club Blvd., Longwood, Fla. 32750**

[\*\*] **Term: 14 Years**

[21] **Appl. No.: 556,369**

[22] **Filed: Nov. 30, 1983**

[52] **U.S. Cl. .... D25/74**

[58] **Field of Search ..... D25/52, 73-76; 49/419, 504, DIG. 2; 52/202**

[56] **References Cited**

**U.S. PATENT DOCUMENTS**

- D. 216,956 3/1970 Dallaire ..... D25/76
- 3,974,616 8/1976 Beckley ..... D25/74 X

*Primary Examiner—A. Hugo Word  
Attorney, Agent, or Firm—Macdonald J. Wiggins*

[57] **CLAIM**

The ornamental design for a vent sill jamb extrusion, as shown and described.

**DESCRIPTION**

FIG. 1 is a perspective view of the vent sill jamb extrusion showing my new design;  
 FIG. 2 is a right side elevation thereof;  
 FIG. 3 is a front elevation thereof;  
 FIG. 4 is a left side elevation thereof;  
 FIG. 5 is a rear elevation view thereof;  
 FIG. 6 is a top plan view thereof; and  
 FIG. 7 is a bottom plan view thereof.

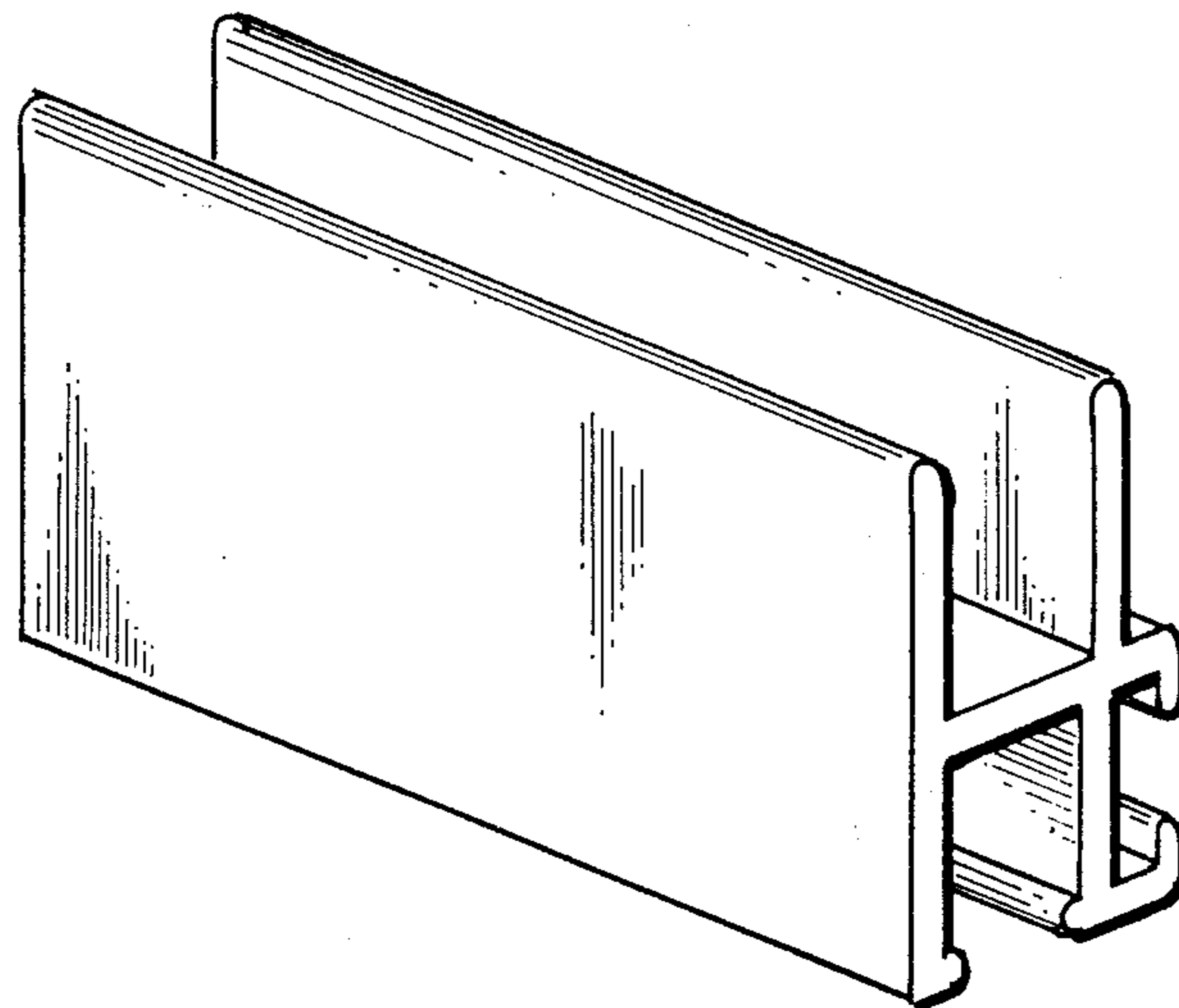


FIG. 1

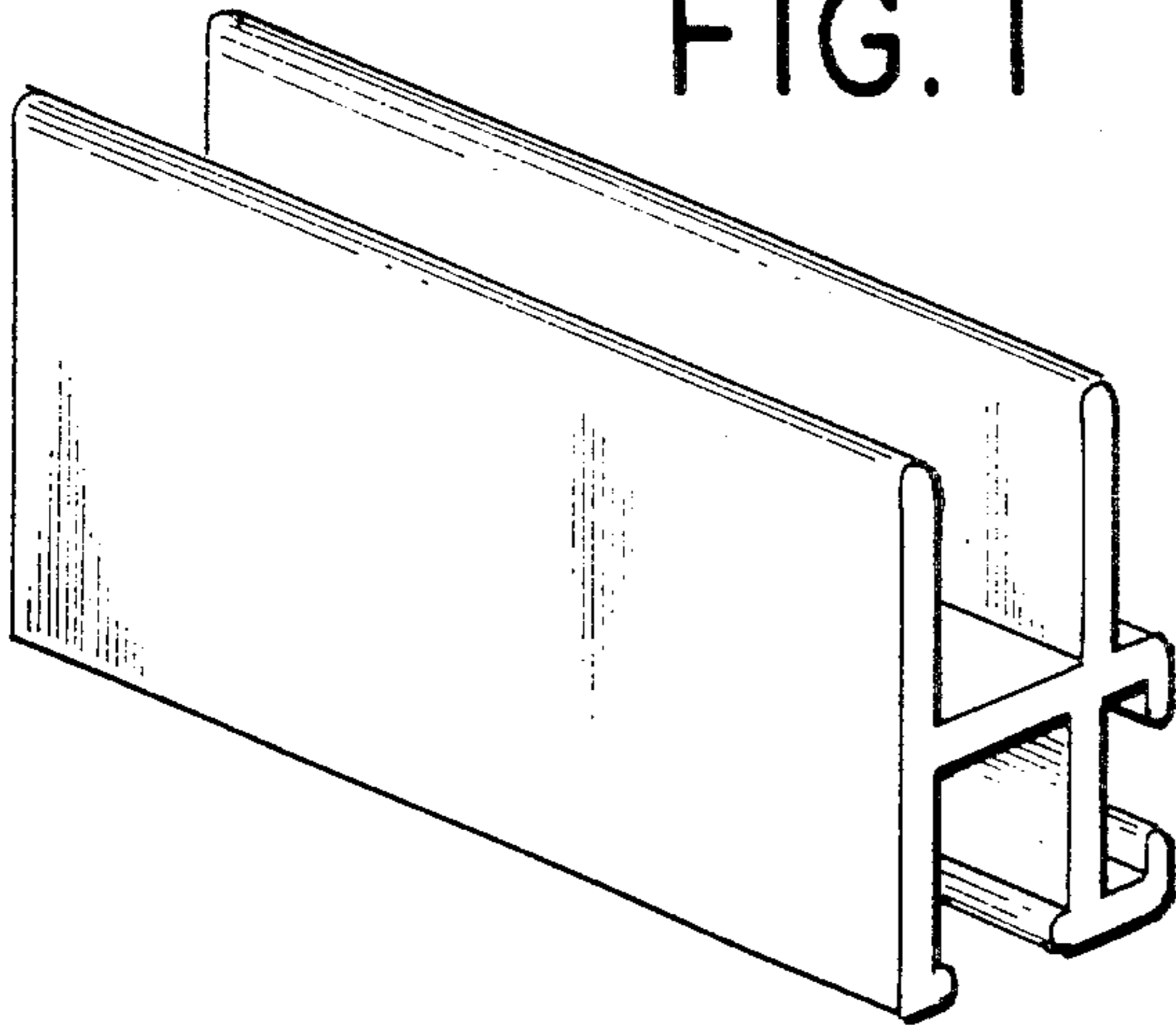


FIG. 2

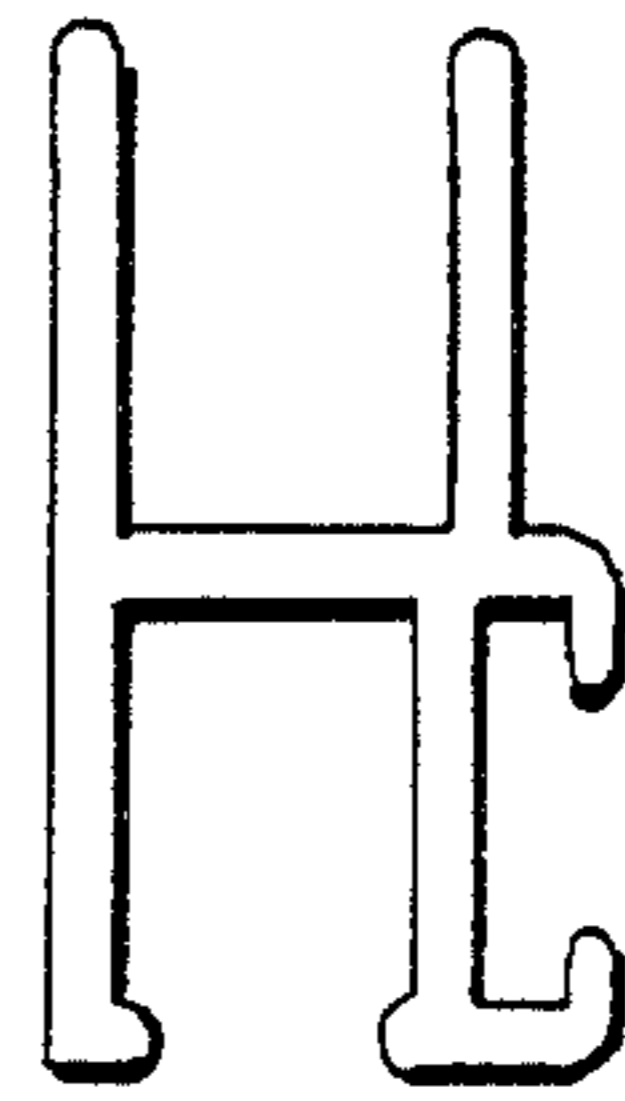


FIG. 3

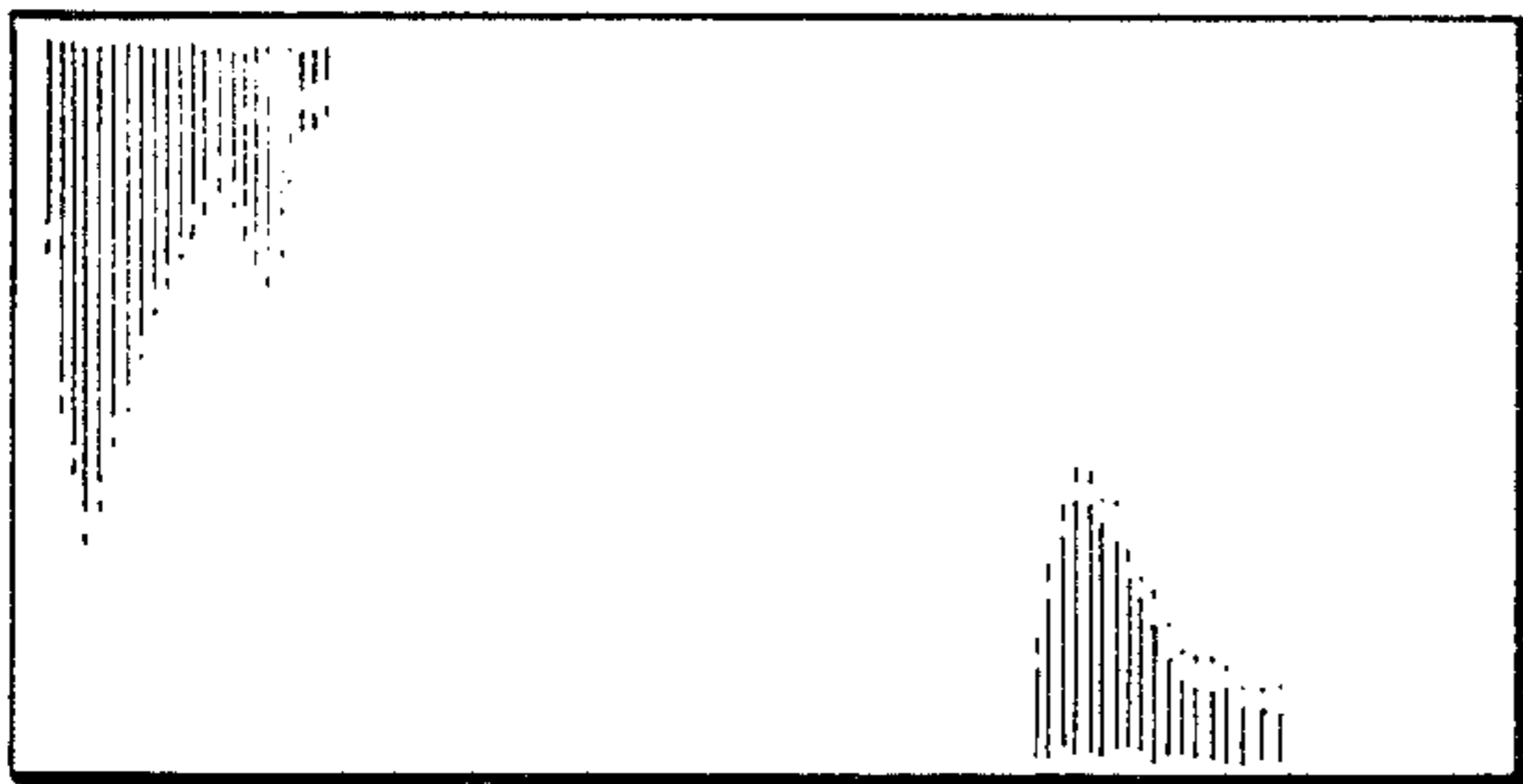


FIG. 4

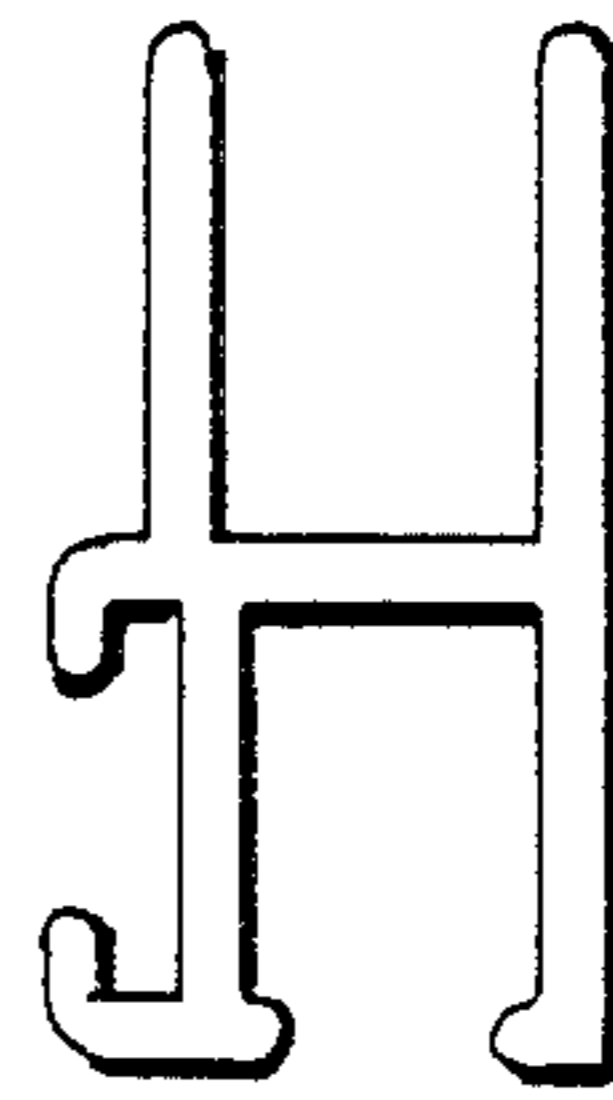


FIG. 5

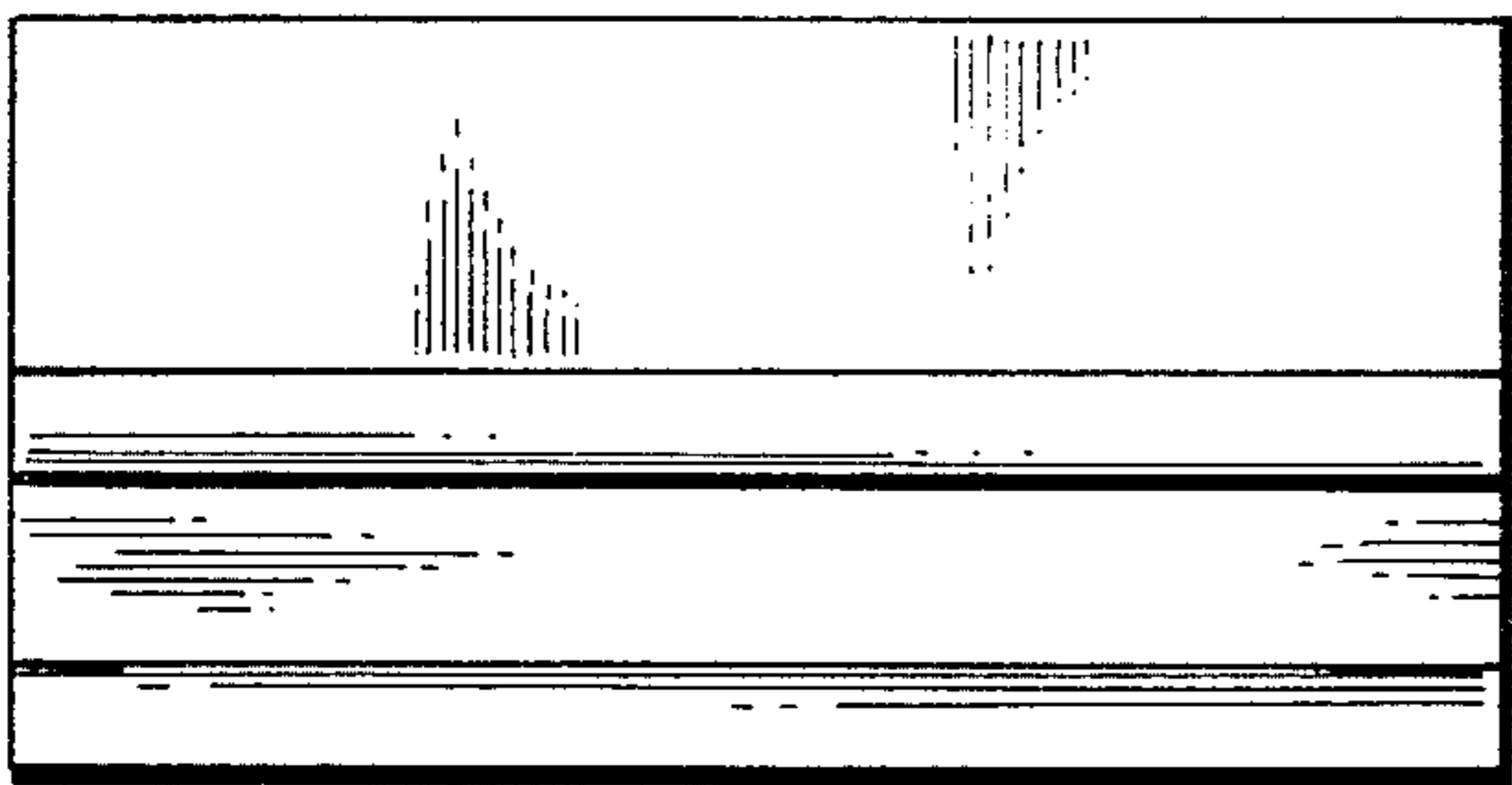


FIG. 6

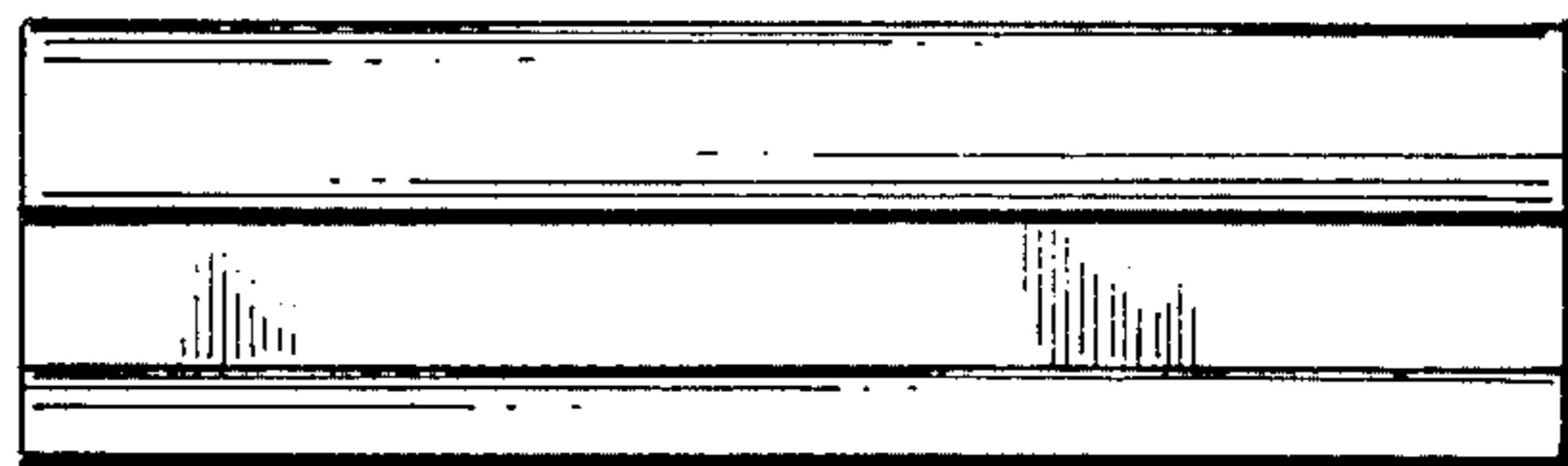


FIG. 7

