

[54] **SCREEN SPACER EXTRUSION**

[76] Inventor: **Joseph C. Bancroft**, 102 Sweetwater Club Blvd., Longwood, Fla. 32750

[**] Term: **14 Years**

[21] Appl. No.: **556,368**

[22] Filed: **Nov. 30, 1983**

[52] U.S. Cl. **D25/74**

[58] Field of Search **D25/52, 73-76; 49/419, 504, DIG. 2; 52/202**

[56] **References Cited**

U.S. PATENT DOCUMENTS

D. 251,071 2/1979 Brady D25/74
4,290,641 9/1981 Miyauchi et al. D25/74 X

Primary Examiner—A. Hugo Word
Attorney, Agent, or Firm—Macdonald J. Wiggins

[57] **CLAIM**

The ornamental design for a screen spacer extrusion, as shown and described.

DESCRIPTION

FIG. 1 is a perspective view of the screen spacer extrusion showing my new design;
FIG. 2 is a right side elevation thereof;
FIG. 3 is a front elevation thereof;
FIG. 4 is a left side elevation thereof;
FIG. 5 is a rear elevation view thereof;
FIG. 6 is a top plan view thereof; and
FIG. 7 is a bottom plan view thereof.

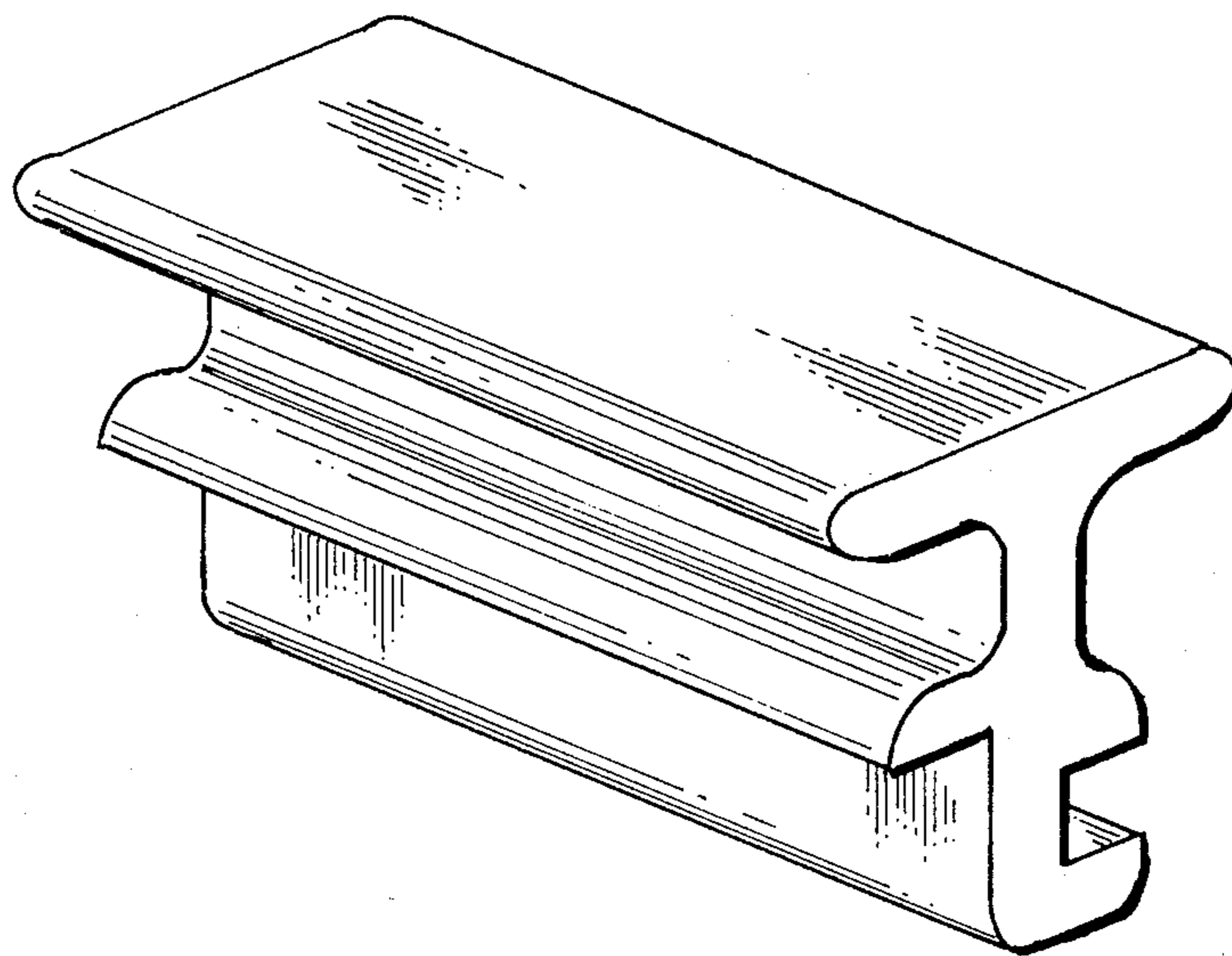


FIG. 1

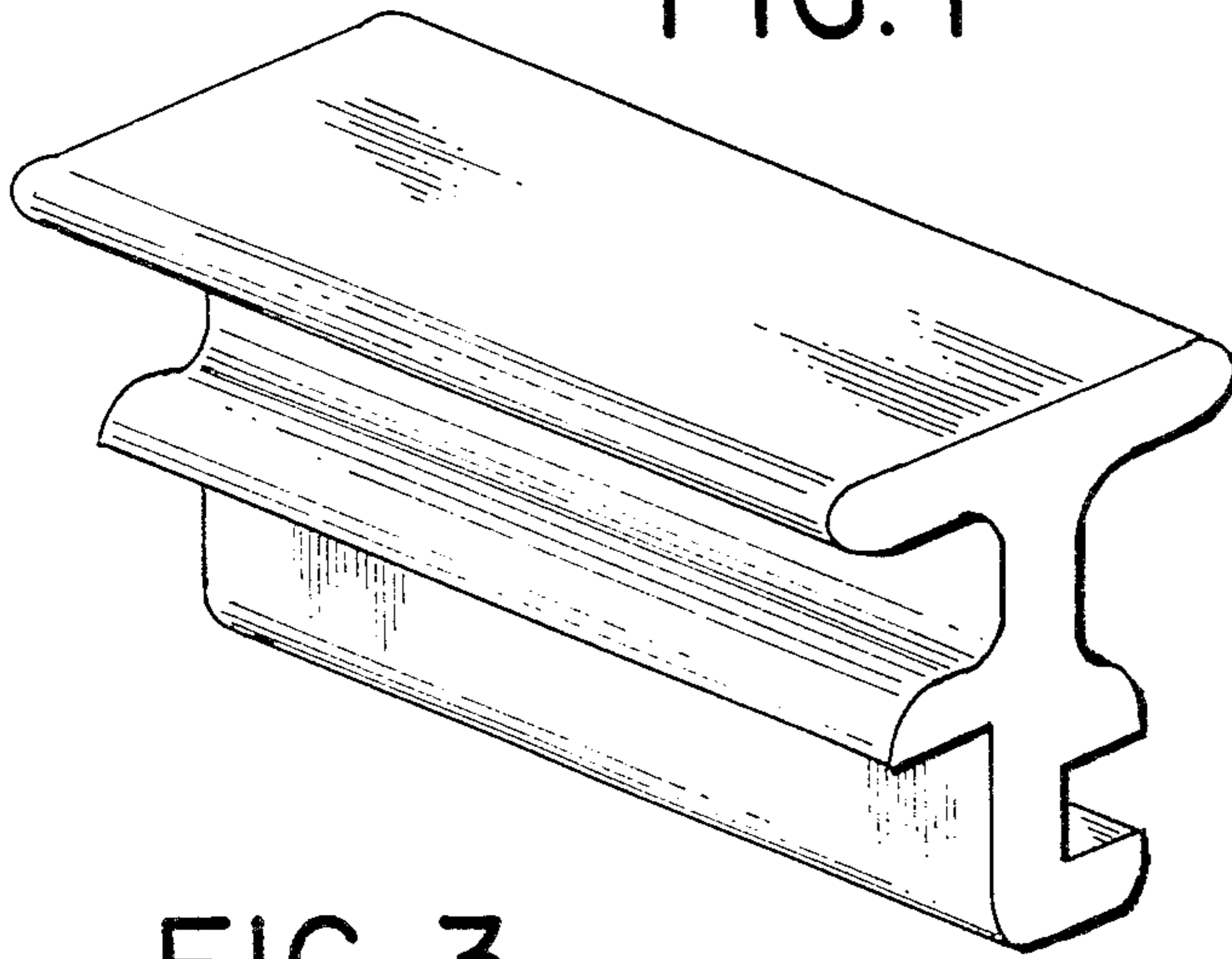


FIG. 2

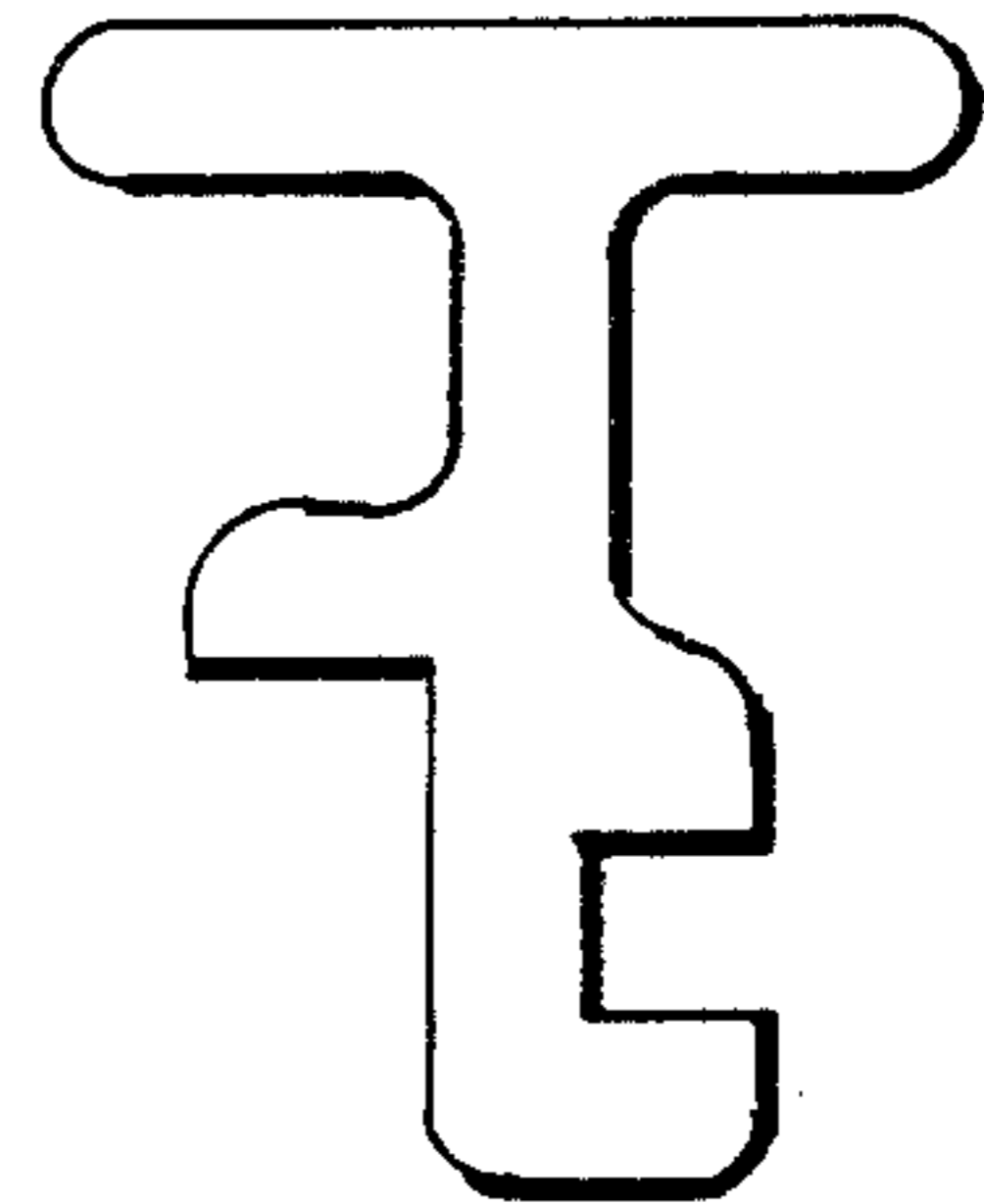


FIG. 3

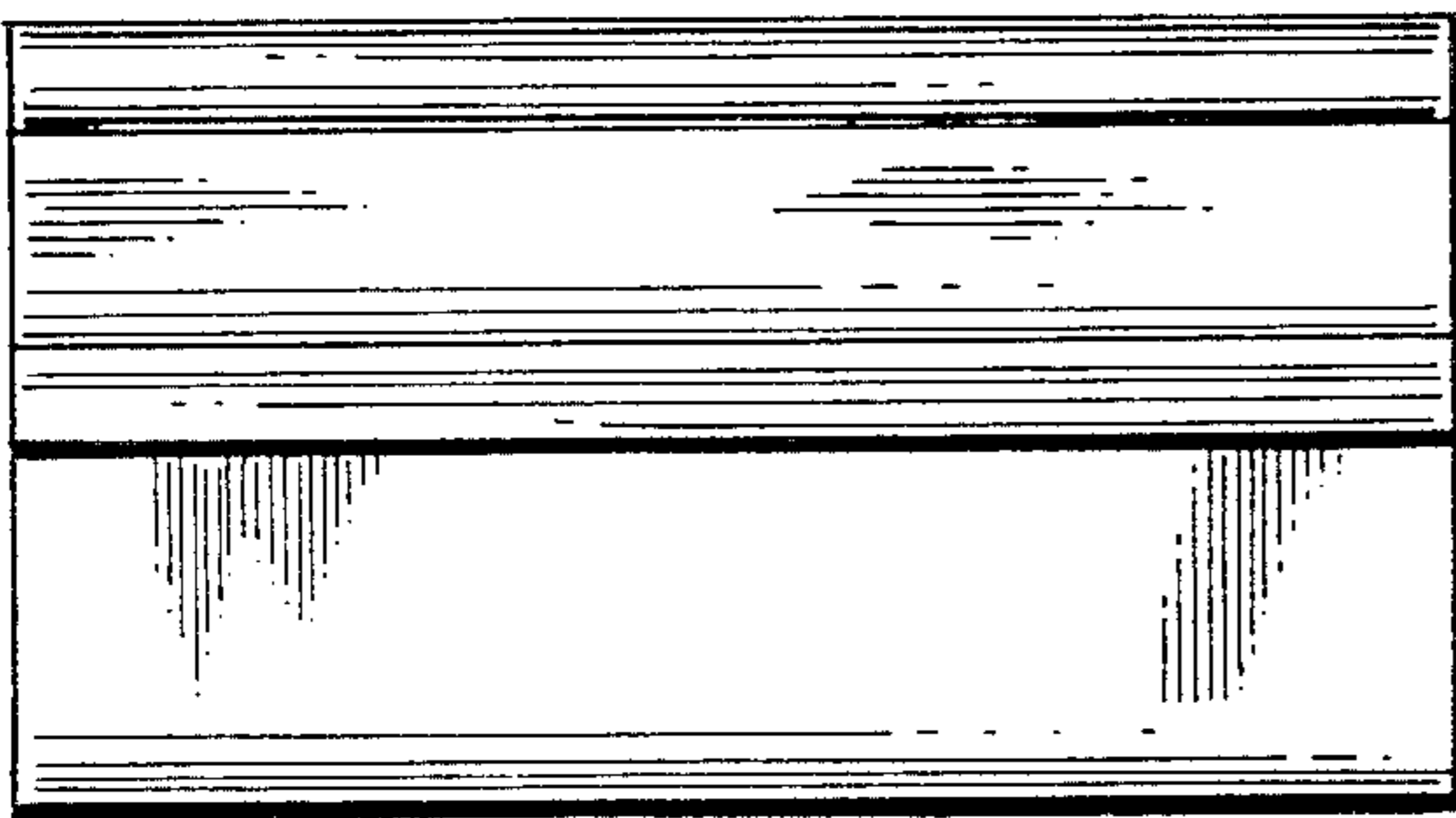


FIG. 4

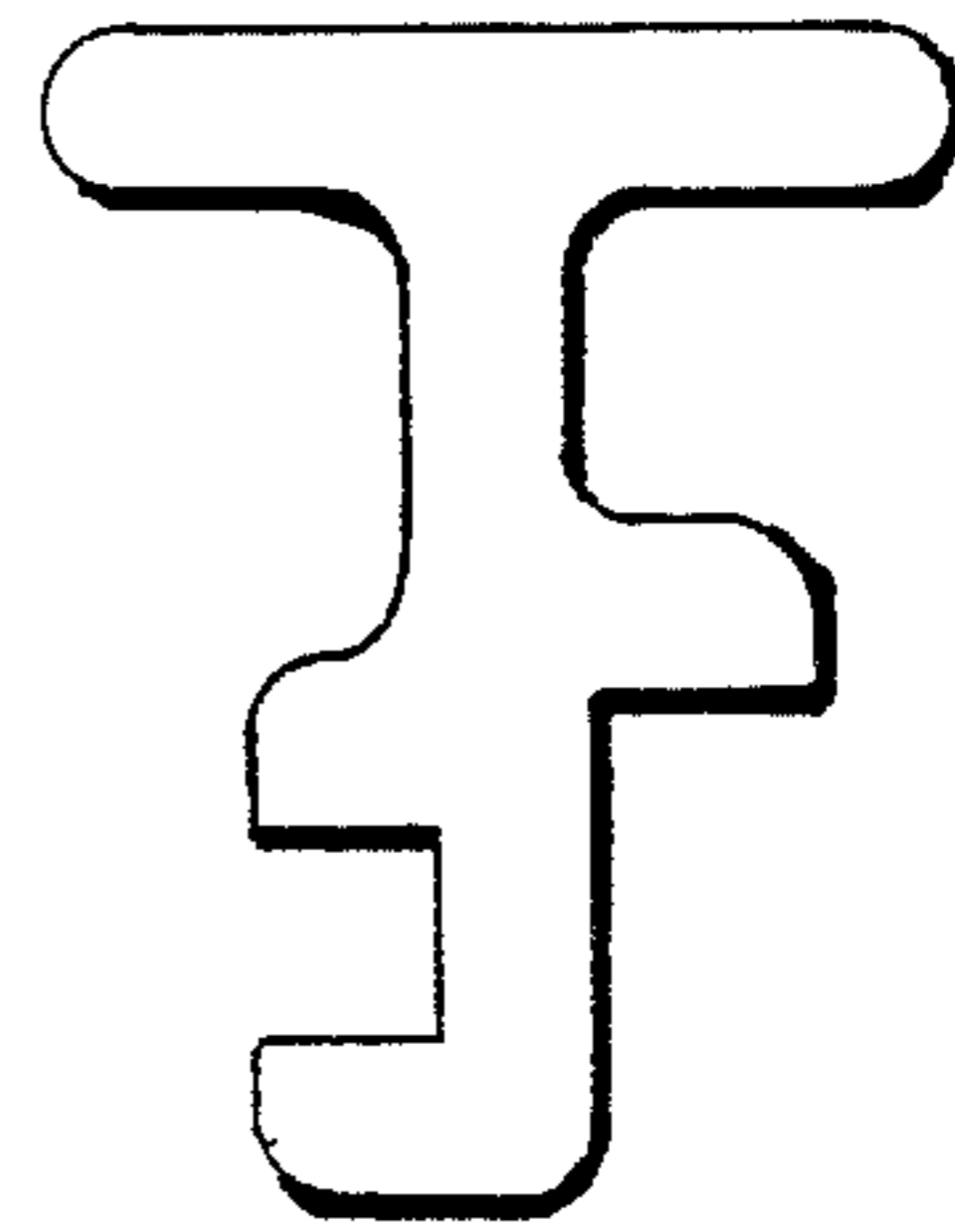


FIG. 5

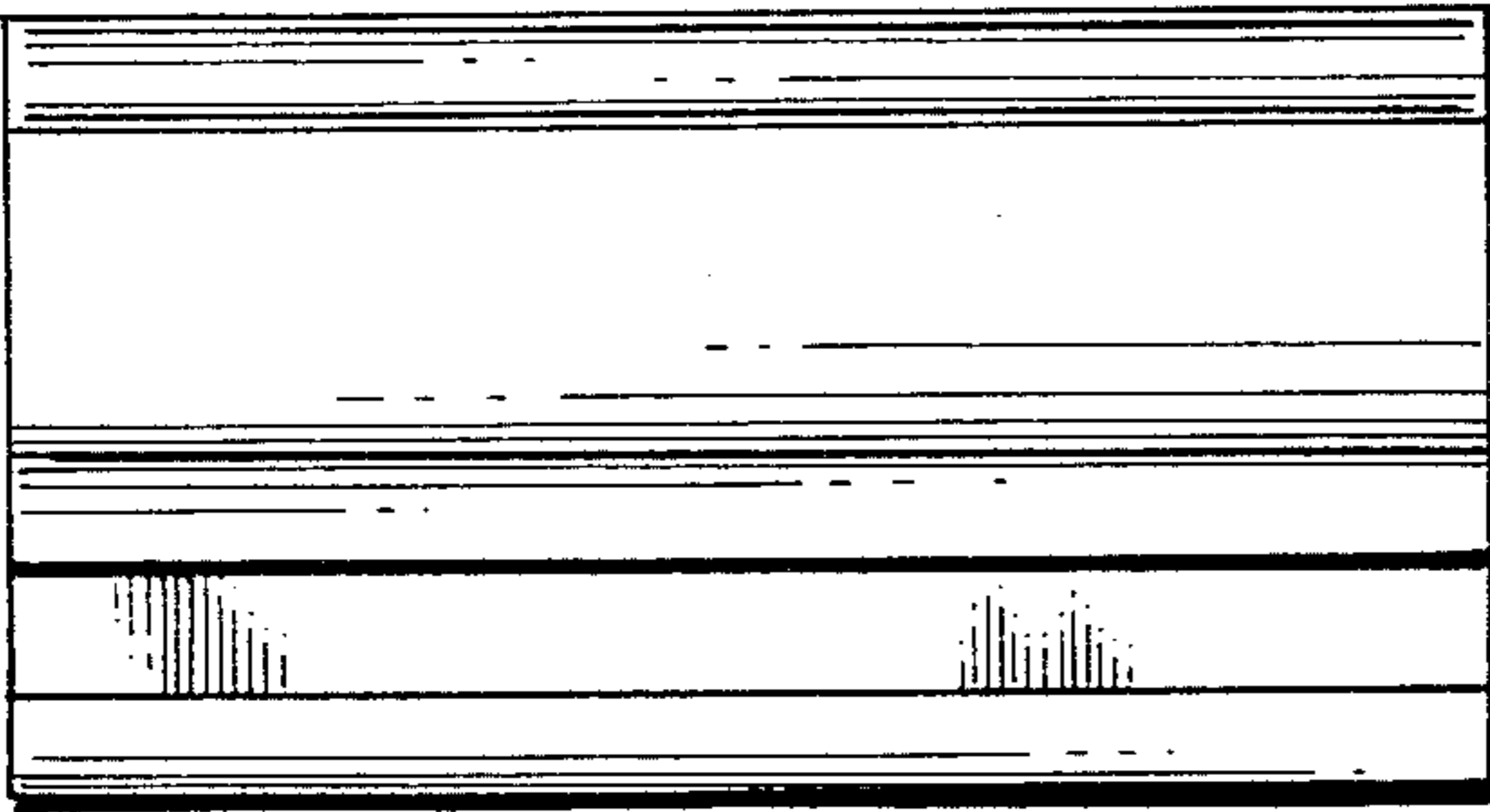


FIG. 6

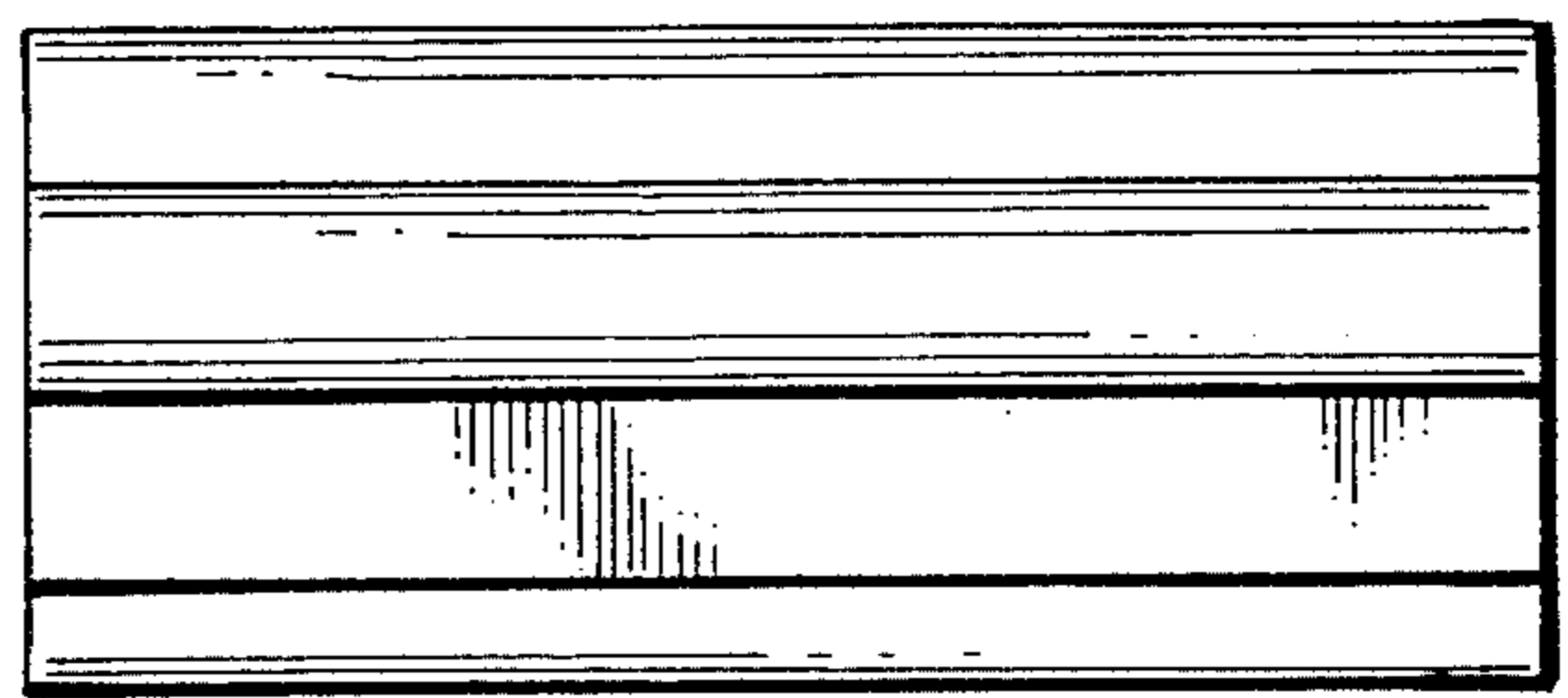


FIG. 7

