

[54] INSERT SILL EXTRUSION

[76] Inventor: Joseph C. Bancroft, 102 Sweetwater Club Blvd., Longwood, Fla. 32750

[\*\*] Term: 14 Years

[21] Appl. No.: 556,366

[22] Filed: Nov. 30, 1983

[52] U.S. Cl. .... D25/74

[58] Field of Search ..... D25/52, 73-76; 49/415, 504, DIG. 2; 52/202

[56] References Cited

U.S. PATENT DOCUMENTS

- D. 216,956 3/1970 Dallaire ..... D25/76
- 3,974,616 8/1976 Beckley ..... D25/74 X

Primary Examiner—A. Hugo Word  
Attorney, Agent, or Firm—Macdonald J. Wiggins

[57] CLAIM

The ornamental design for a insert sill extrusion, as shown and described.

DESCRIPTION

FIG. 1 is a perspective view of the insert sill extrusion showing my new design;  
 FIG. 2 is a right side elevation thereof;  
 FIG. 3 is a front elevation thereof;  
 FIG. 4 is a left side elevation thereof;  
 FIG. 5 is a rear elevation view thereof;  
 FIG. 6 is a top plan view thereof; and  
 FIG. 7 is a bottom plan view thereof.

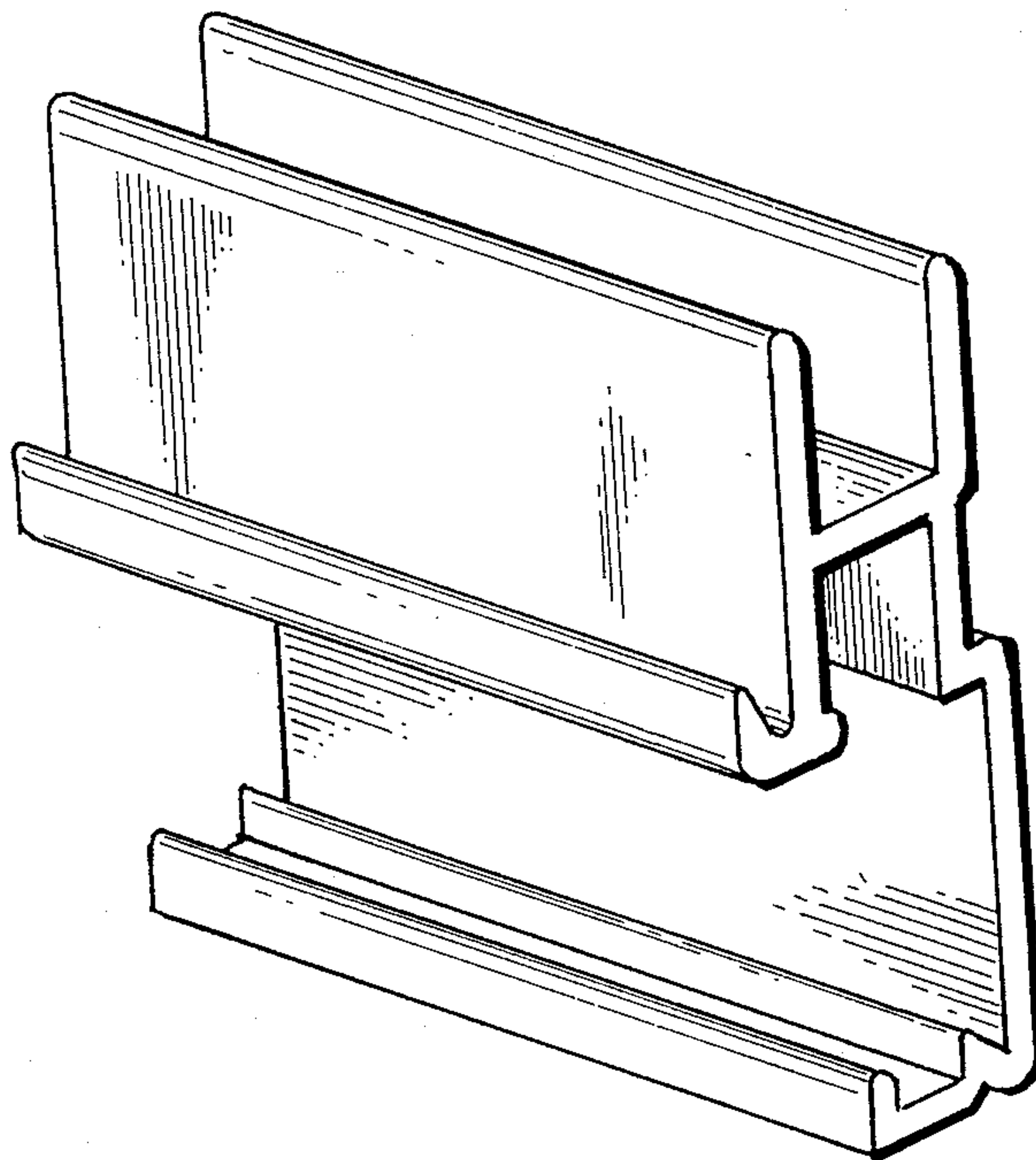


FIG. 1

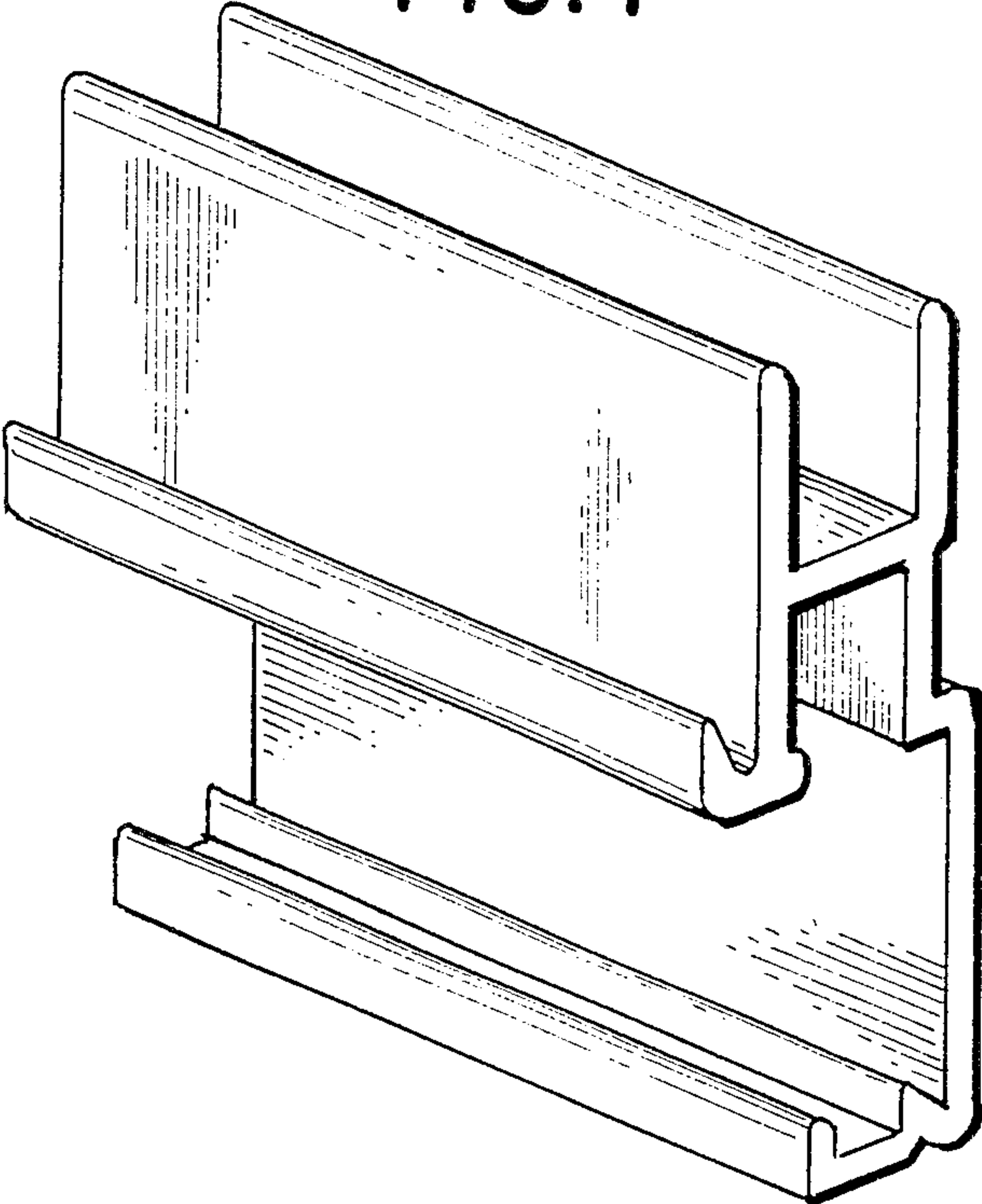


FIG. 2

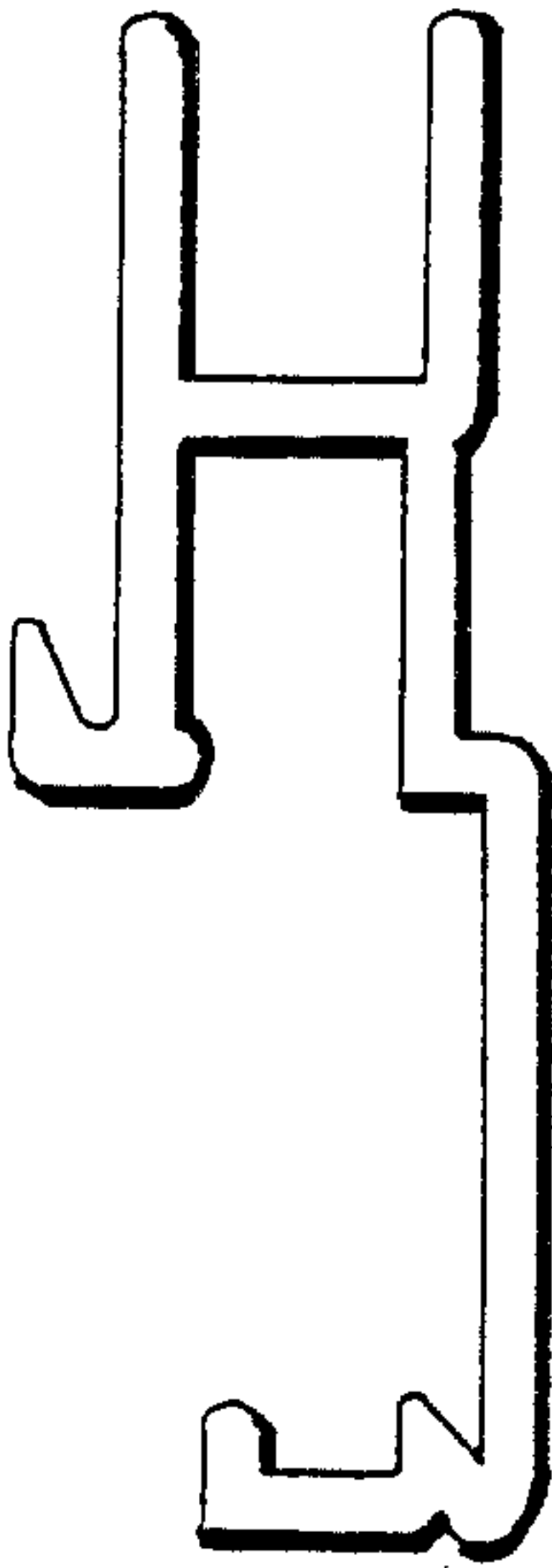


FIG. 4

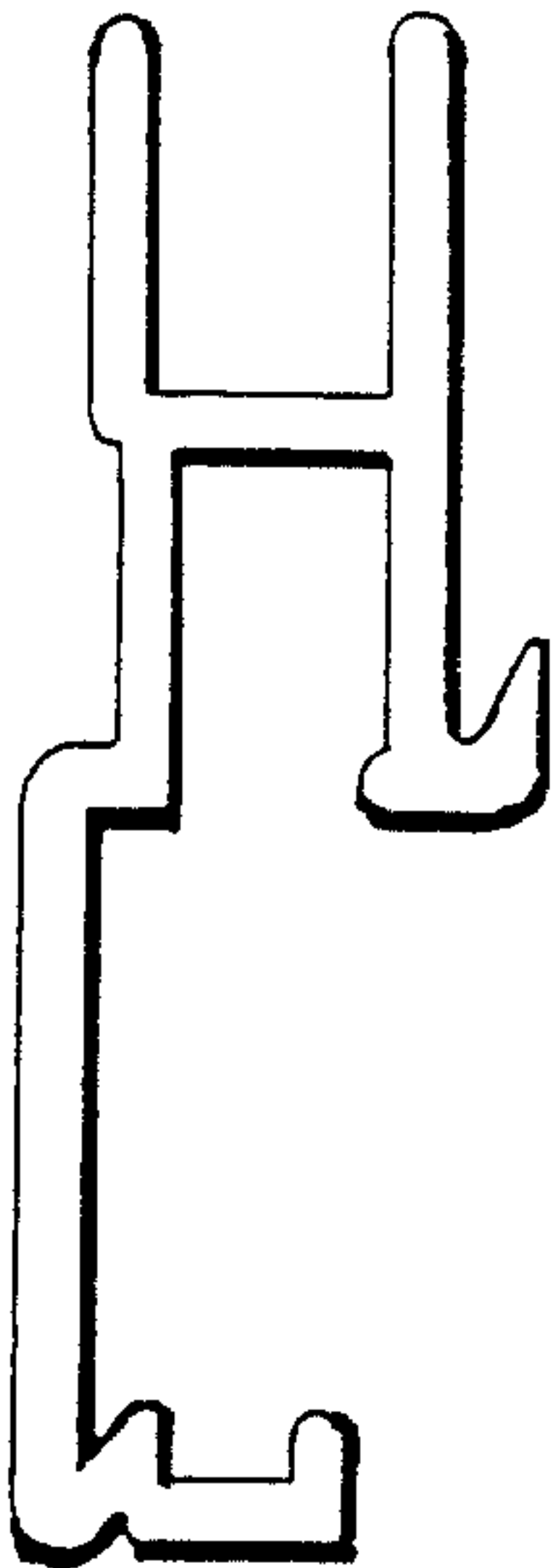


FIG. 3

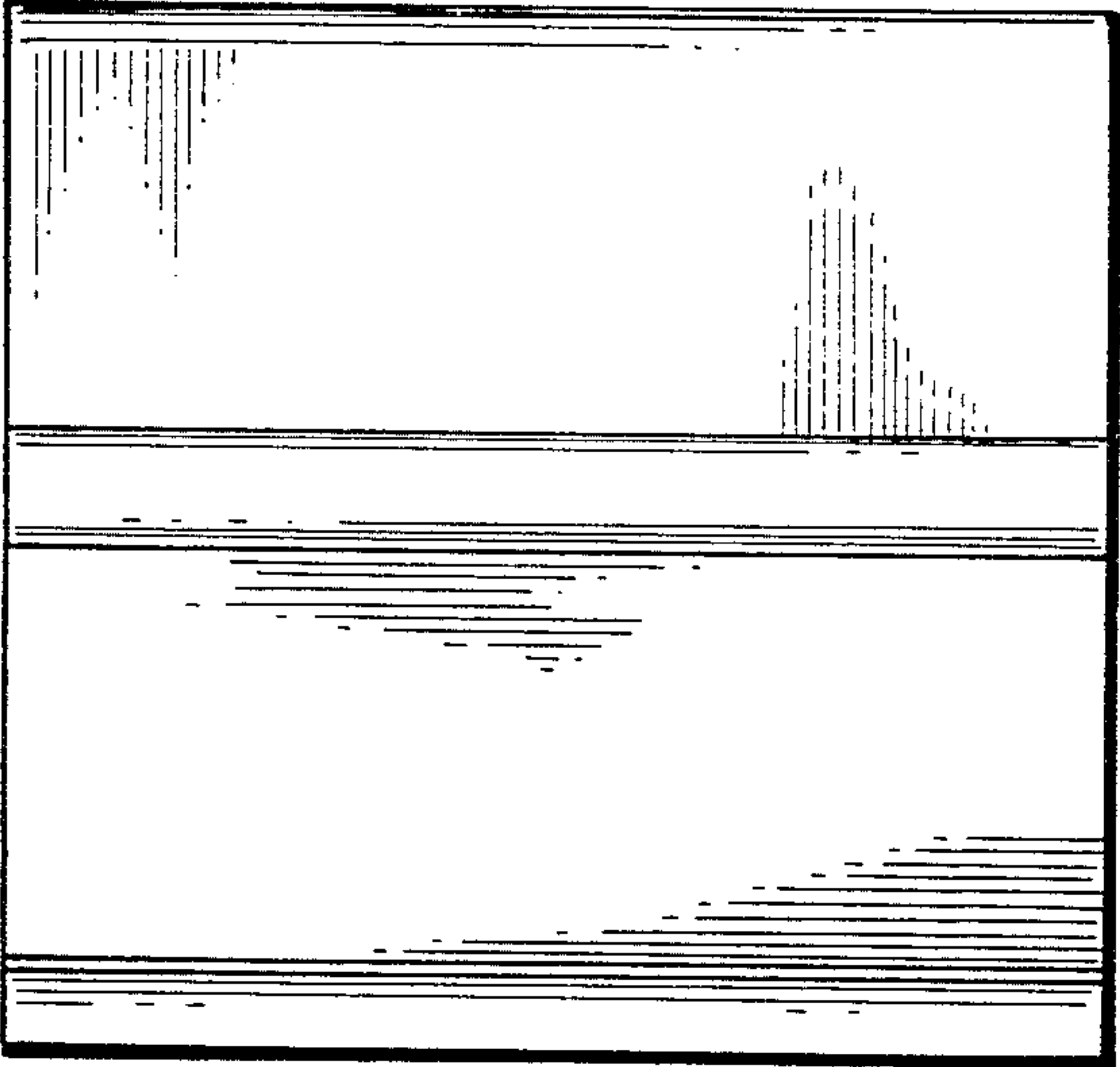


FIG. 5

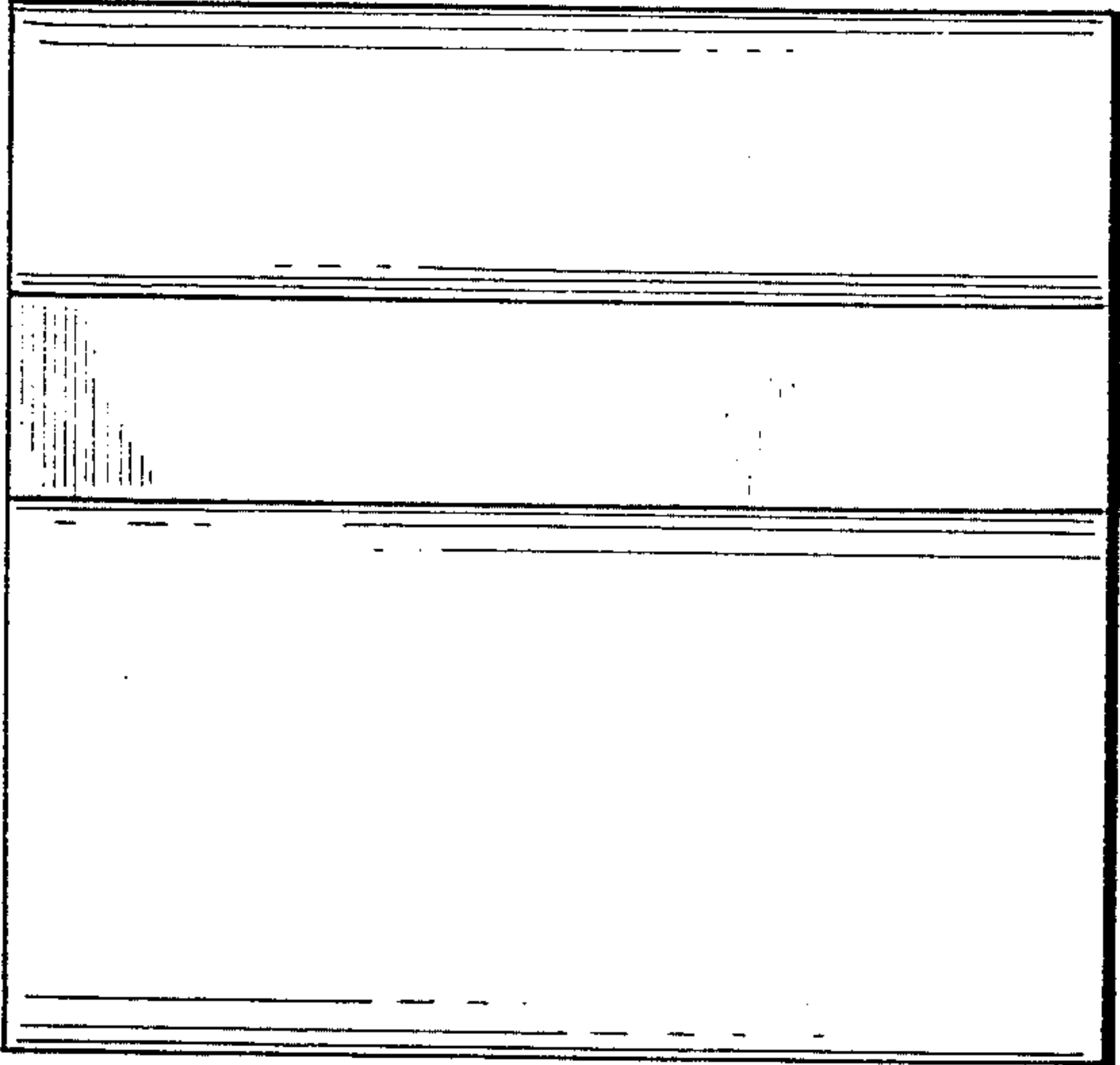


FIG. 6

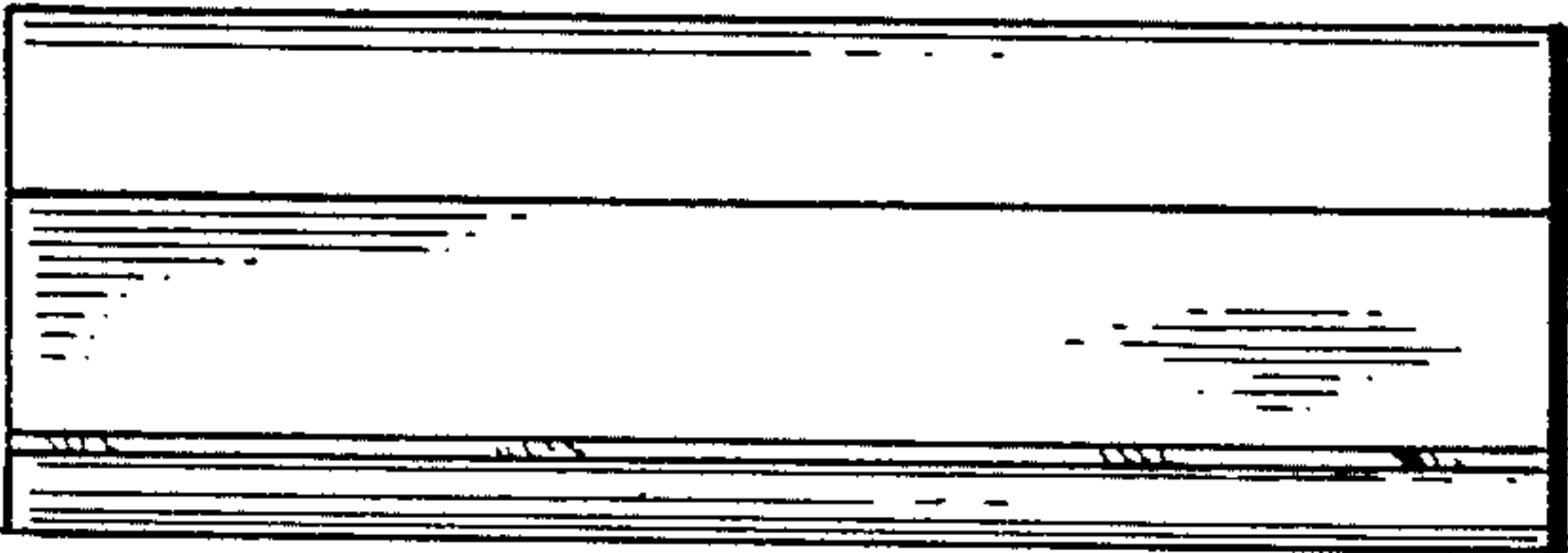


FIG. 7

