

[54] **FRAME JAMB EXTRUSION**

[76] **Inventor: Joseph C. Bancroft, 102 Sweetwater Club Blvd., Longwood, Fla. 32750**

[\*\*] **Term: 14 Years**

[21] **Appl. No.: 720,620**

[22] **Filed: Apr. 5, 1985**

[52] **U.S. Cl. .... D25/74**

[58] **Field of Search ..... D25/52, 73-76; 49/419, 504, DIG. 2; 52/202**

[56] **References Cited**

**U.S. PATENT DOCUMENTS**

- D. 251,447 3/1979 Bancroft et al. .... D25/74
- D. 251,504 4/1979 Bancroft et al. .... D25/74
- 4,048,774 9/1977 Yamamoto ..... D25/74 X

*Primary Examiner*—A. Hugo Word

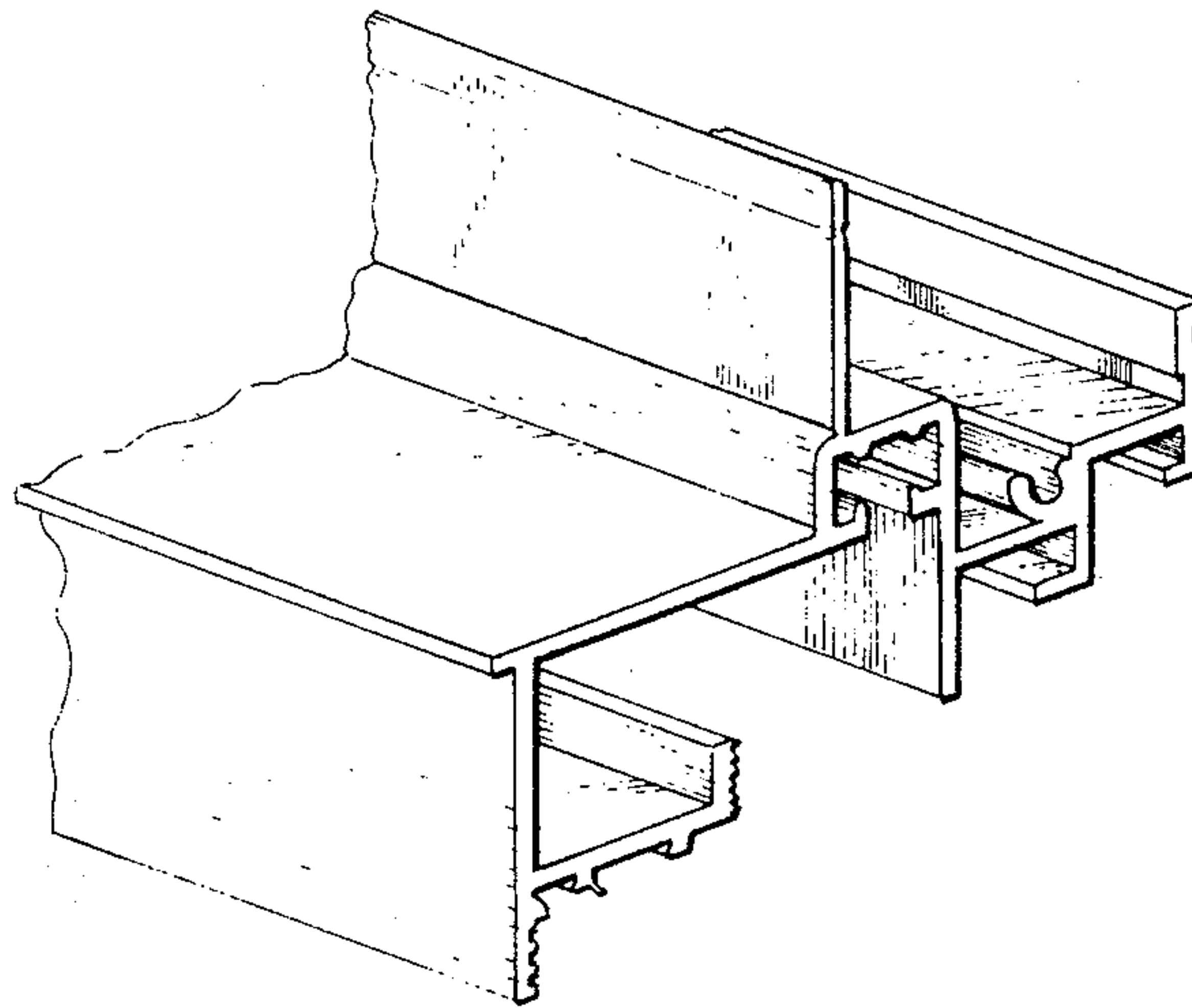
*Attorney, Agent, or Firm*—Macdonald J. Wiggins

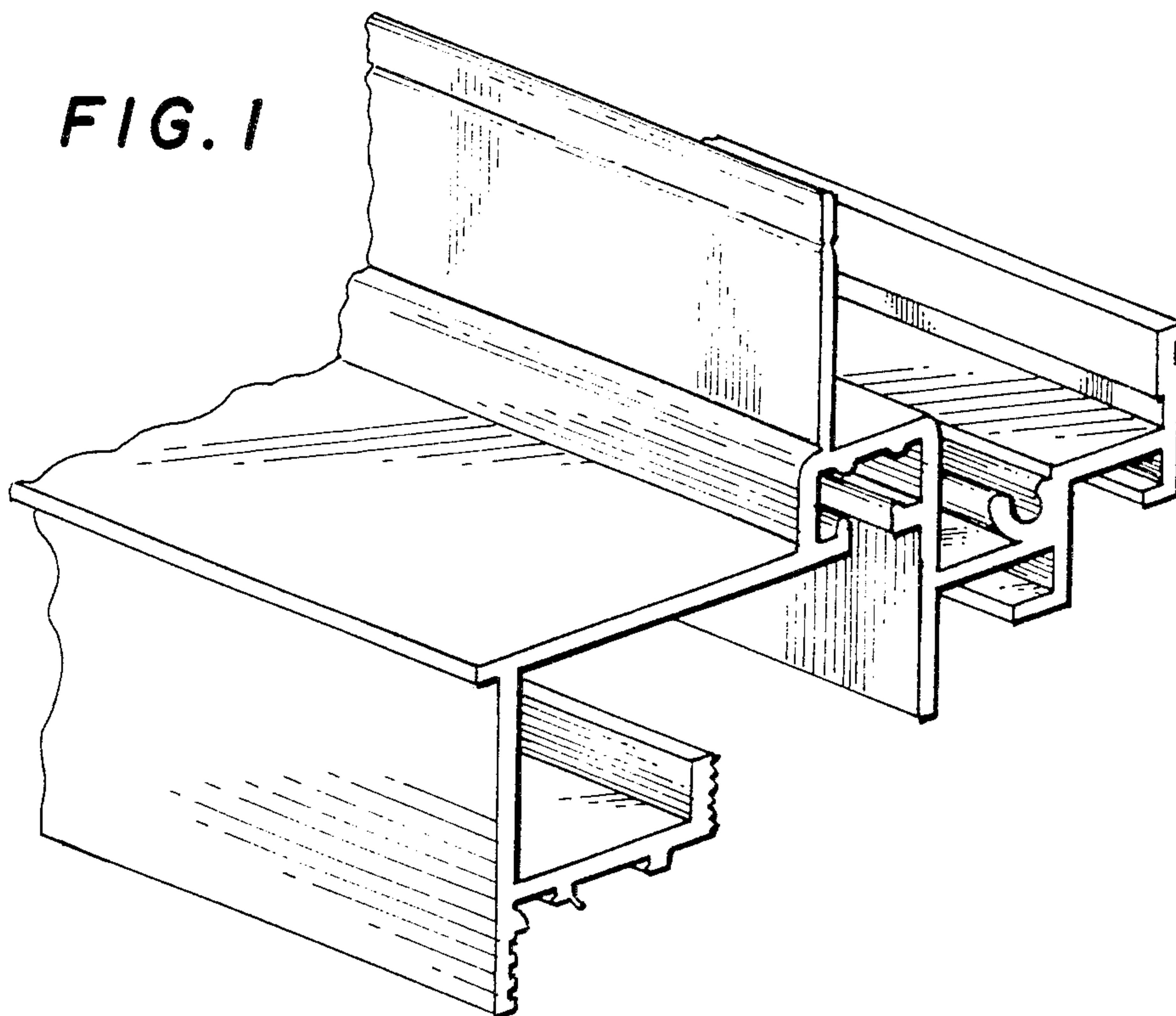
[57] **CLAIM**

The ornamental design for a frame jamb extrusion, as shown and described.

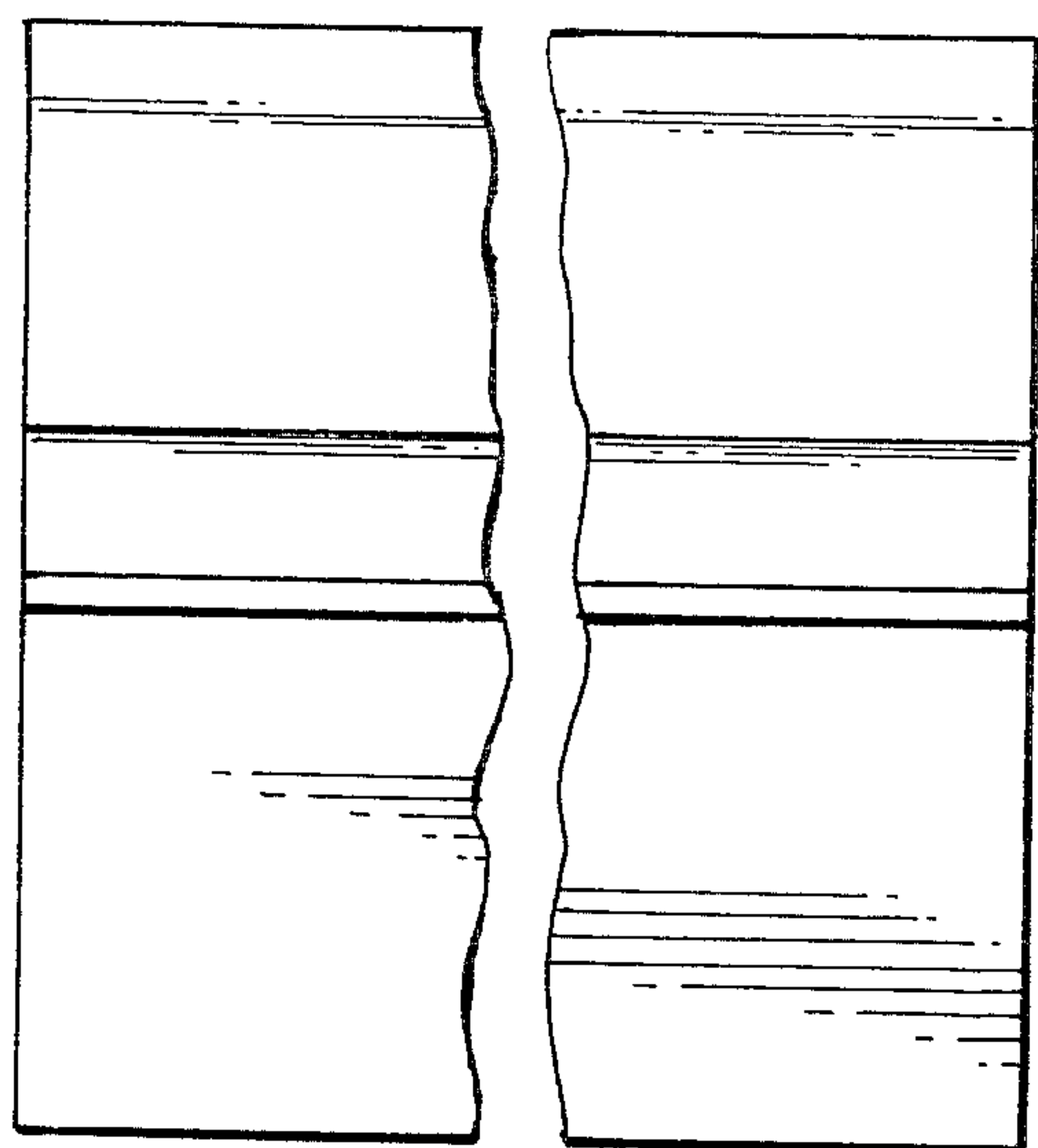
**DESCRIPTION**

FIG. 1 is a fragmentary top perspective view of the frame jamb extrusion showing my design;  
 FIG. 2 is a front elevational view thereof in which the rear view thereof is a mirror image of the front view;  
 FIG. 3 is a left elevational view thereof broken away to indicate indeterminate length;  
 FIG. 4 is a right elevational view thereof broken away to indicate indeterminate length;  
 FIG. 5 is a bottom plan view thereof broken away to indicate indeterminate length; and  
 FIG. 6 is a top plan view thereof broken away to indicate indeterminate length.

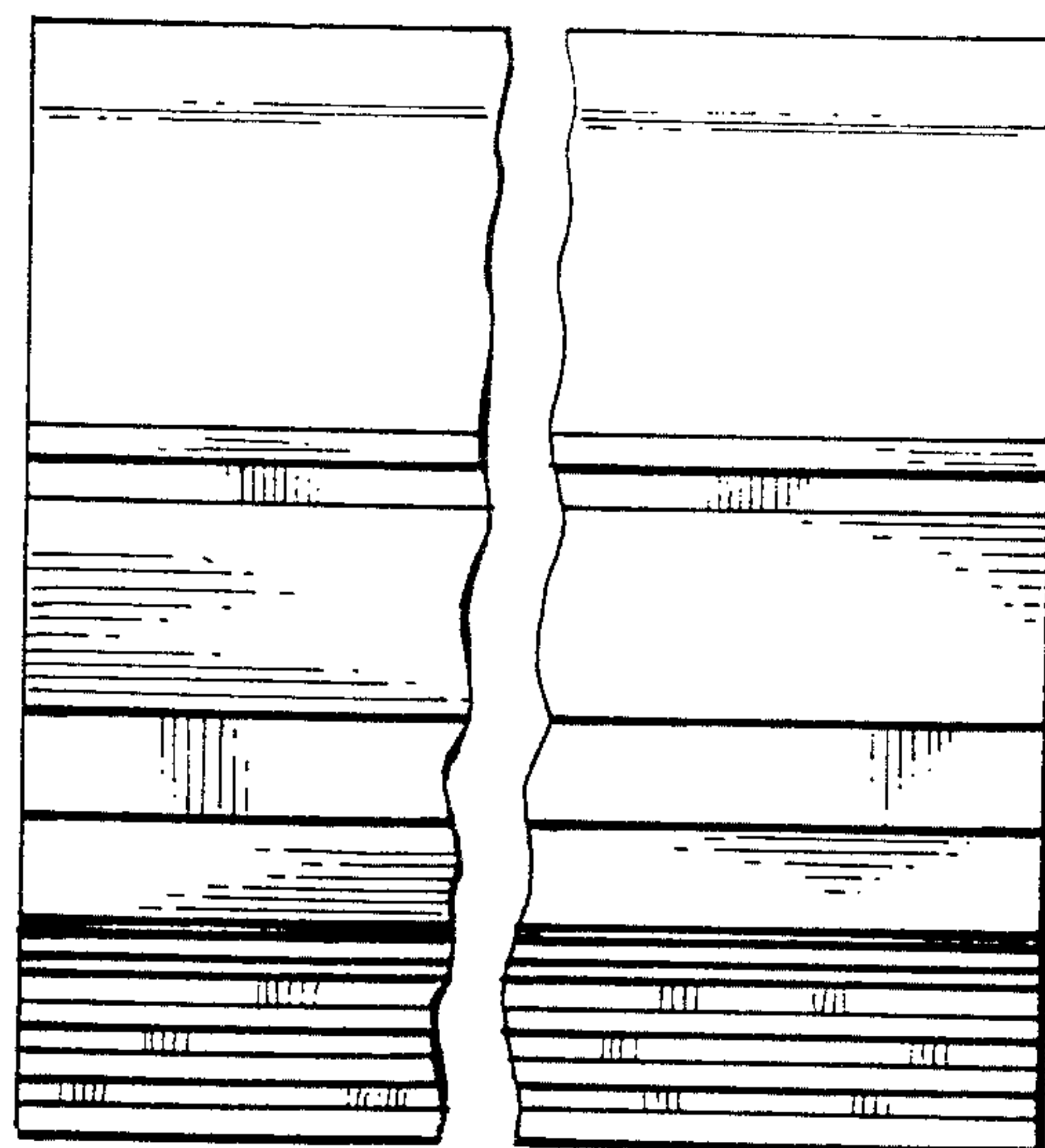




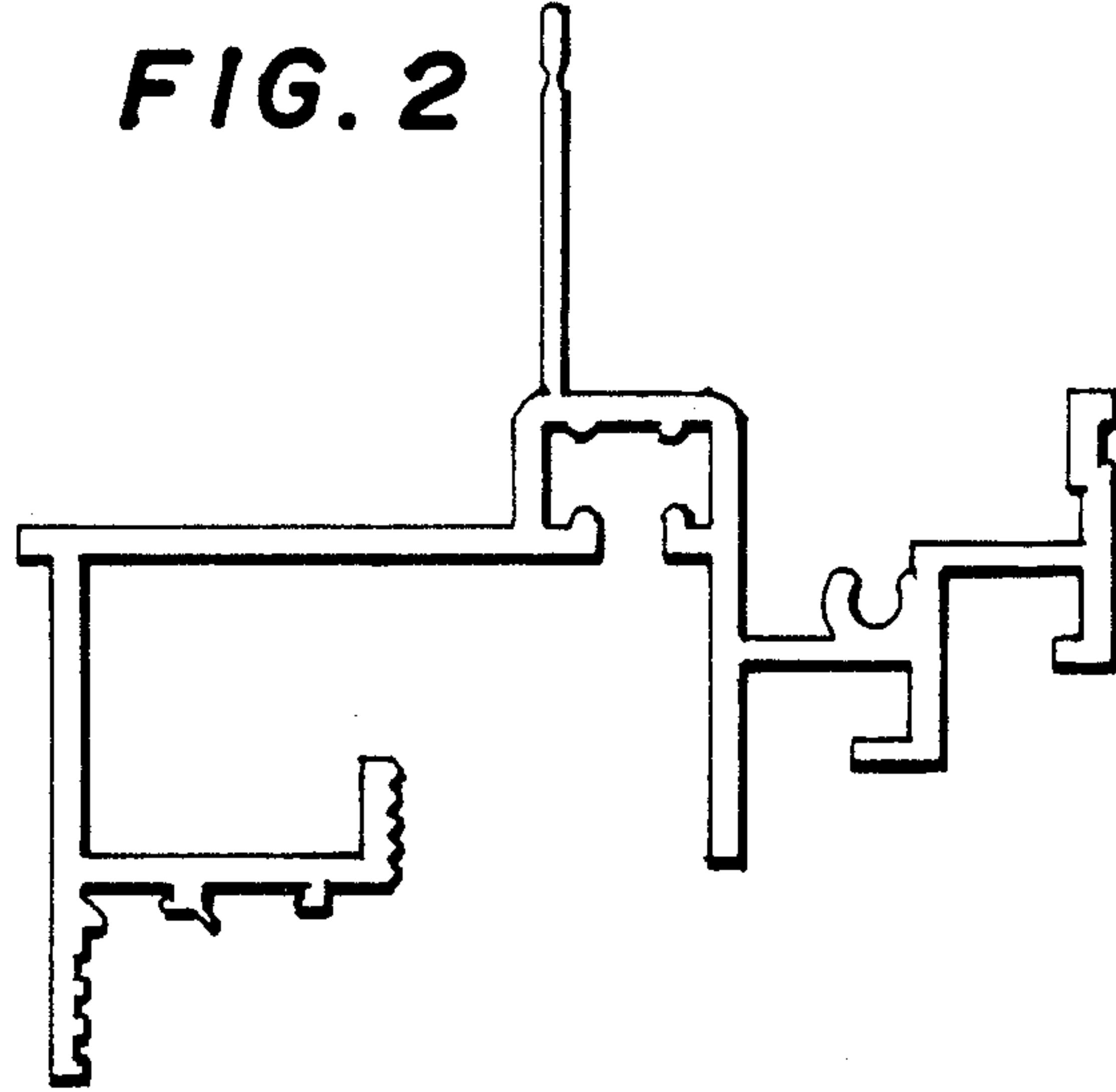
**FIG. 3**



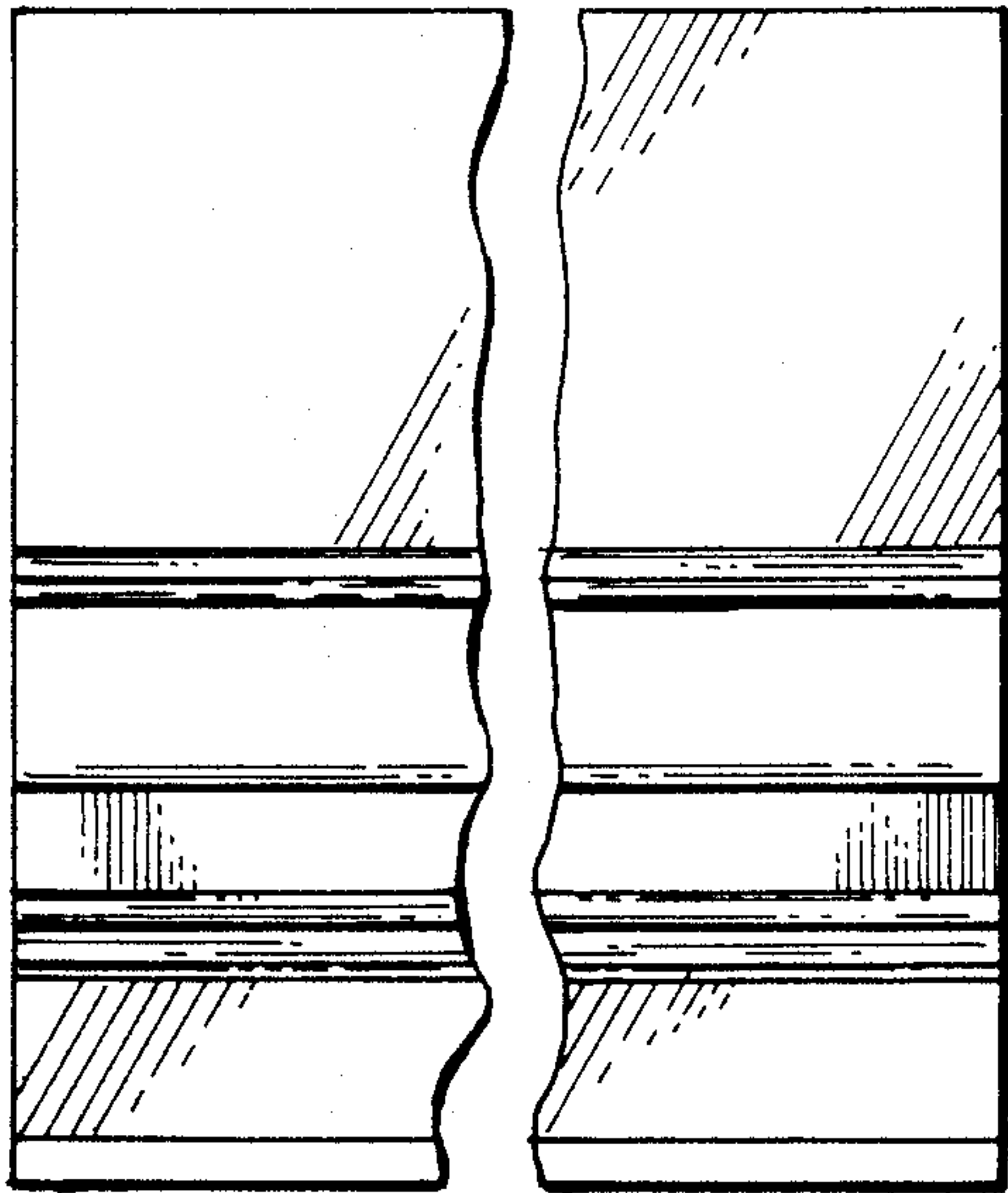
**FIG. 4**



**FIG. 2**



**FIG. 5**



**FIG. 6**

