

[54] **HEATER**

[75] **Inventor: Peter F. Haythornthwaite, Milford, New Zealand**

[73] **Assignee: The Stack Manufacturing Company Limited, Auckland, New Zealand**

[\*\*] **Term: 14 Years**

[21] **Appl. No.: 533,636**

[22] **Filed: Sep. 19, 1983**

[52] **U.S. Cl. .... D23/93**

[58] **Field of Search .... D23/92-97, D23/128, 138.1; 126/120, 121, 123, 126, 138-140, 190, 200, 202**

[56]

**References Cited**

**U.S. PATENT DOCUMENTS**

D. 263,164 2/1982 Barnett ..... D23/97  
D. 273,322 4/1984 Fleisler ..... D23/97

*Primary Examiner*—Catherine E. Kemper  
*Attorney, Agent, or Firm*—Young & Thompson

[57]

**CLAIM**

The ornamental design for a heater, as shown.

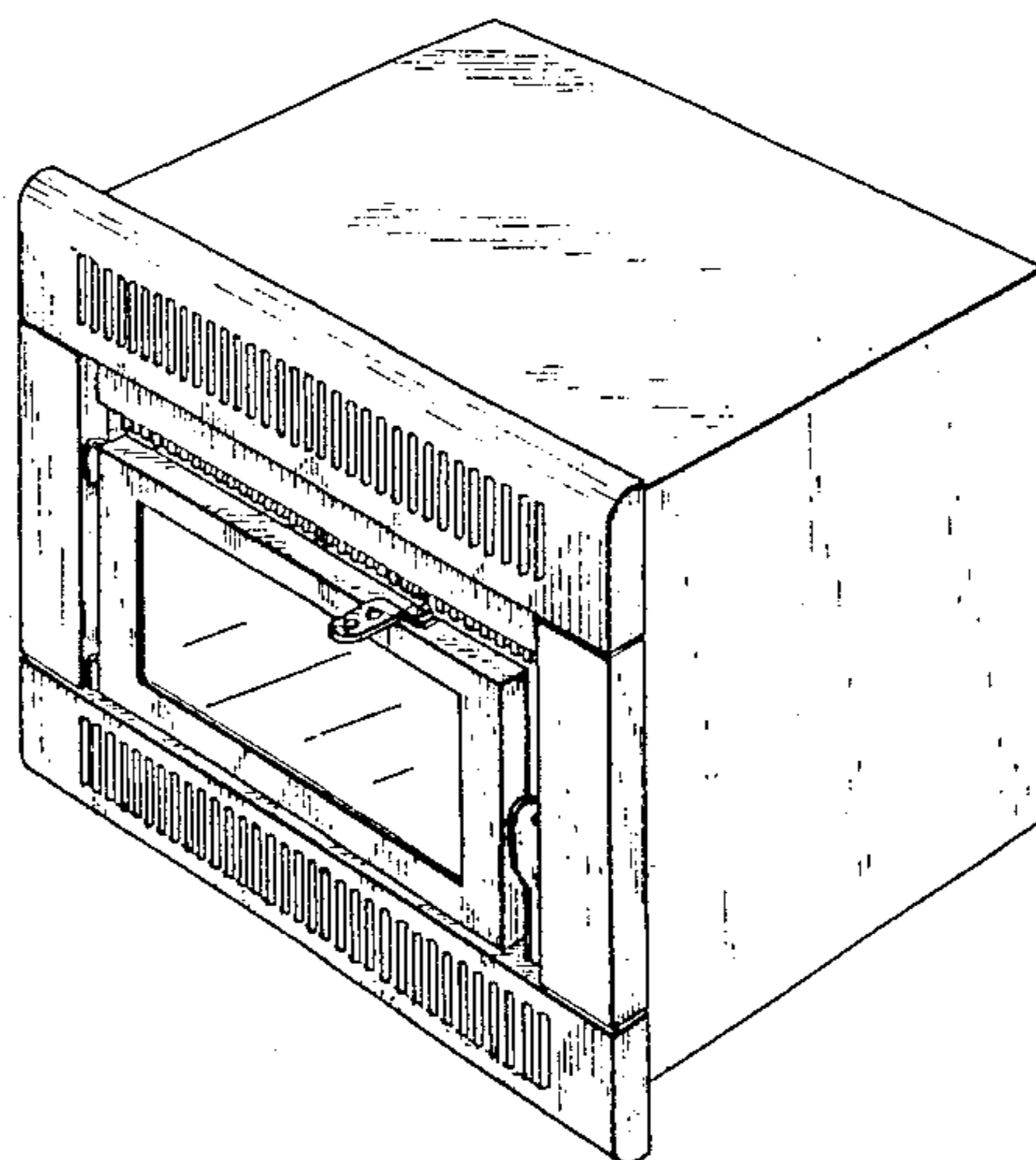
**DESCRIPTION**

FIG. 1 is a front view of a heater showing my new design;

FIG. 2 is a side elevational view thereof from the right of FIG. 1;

FIG. 3 is a front, right and top perspective view thereof; and

FIG. 4 is a rear, left and bottom perspective view thereof.



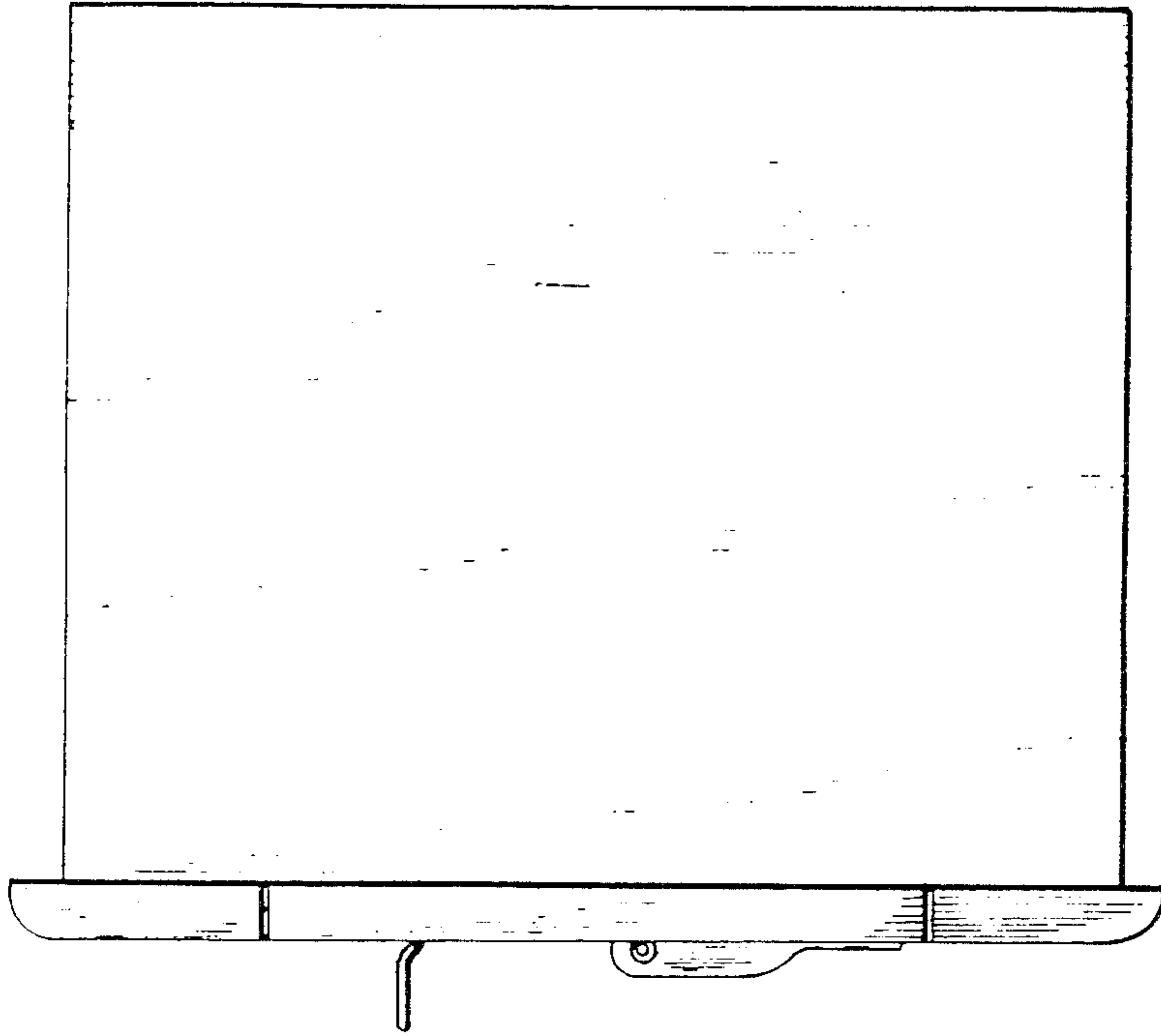


FIGURE 2.

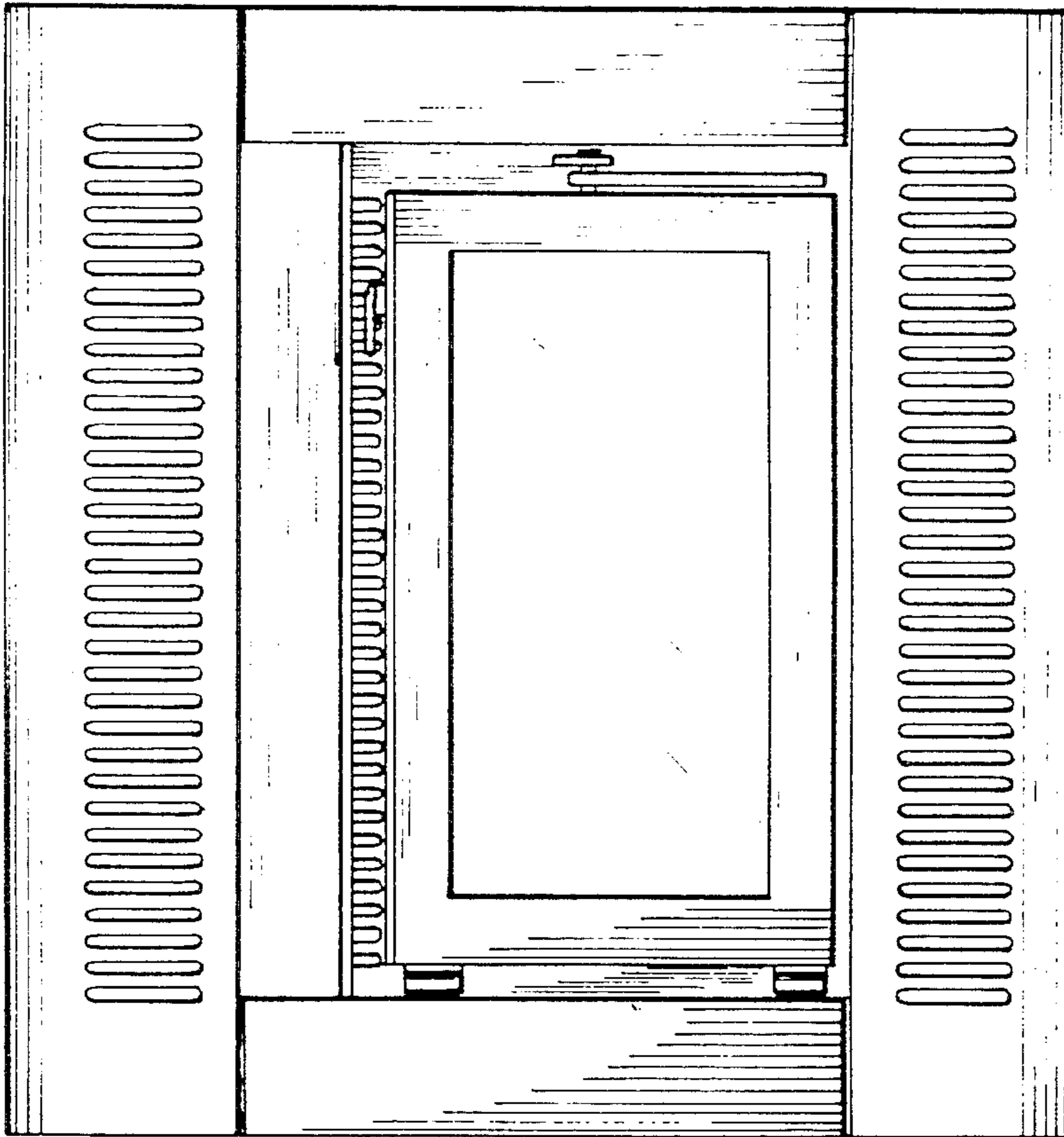


FIGURE 1.

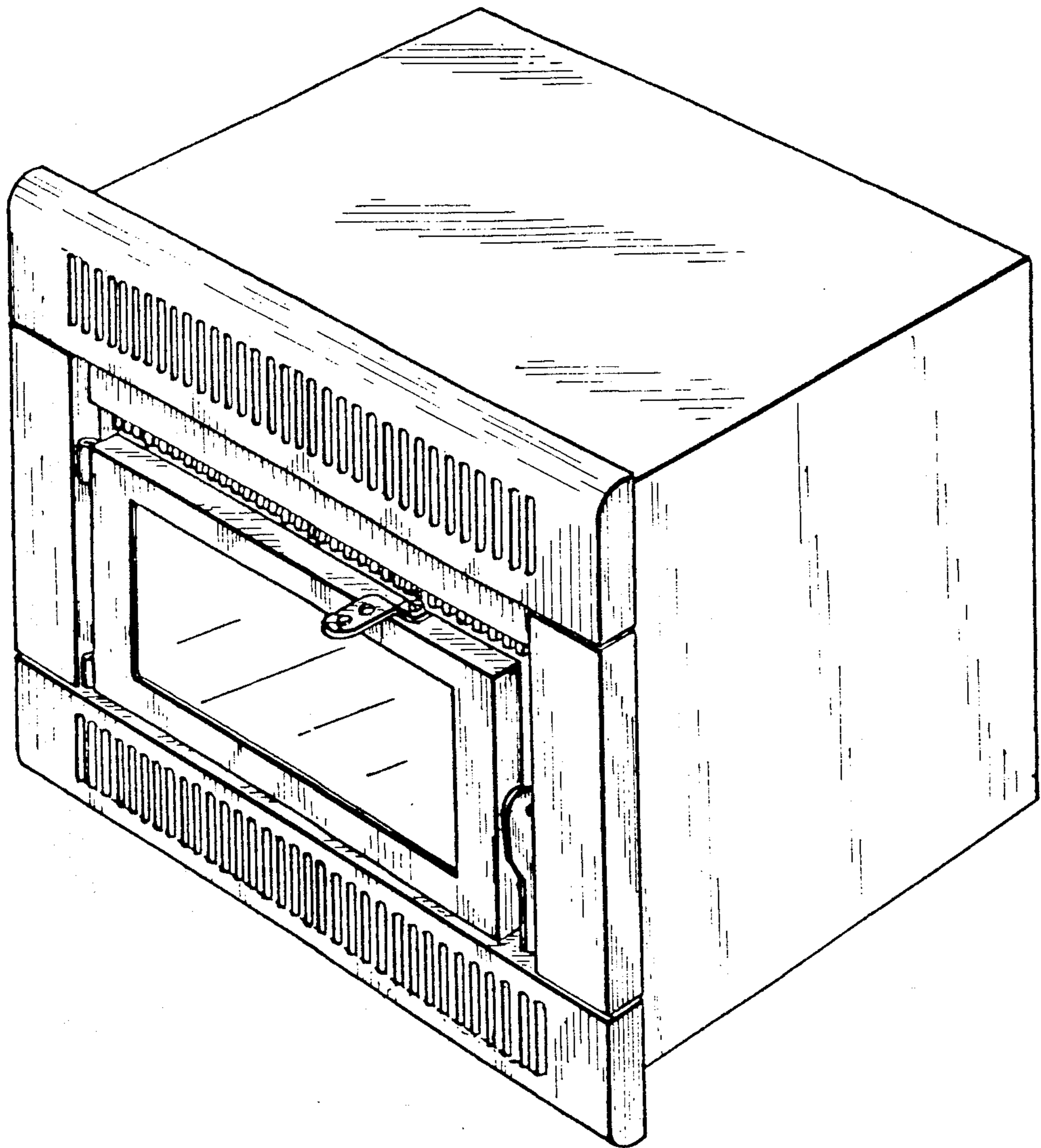


FIGURE 3

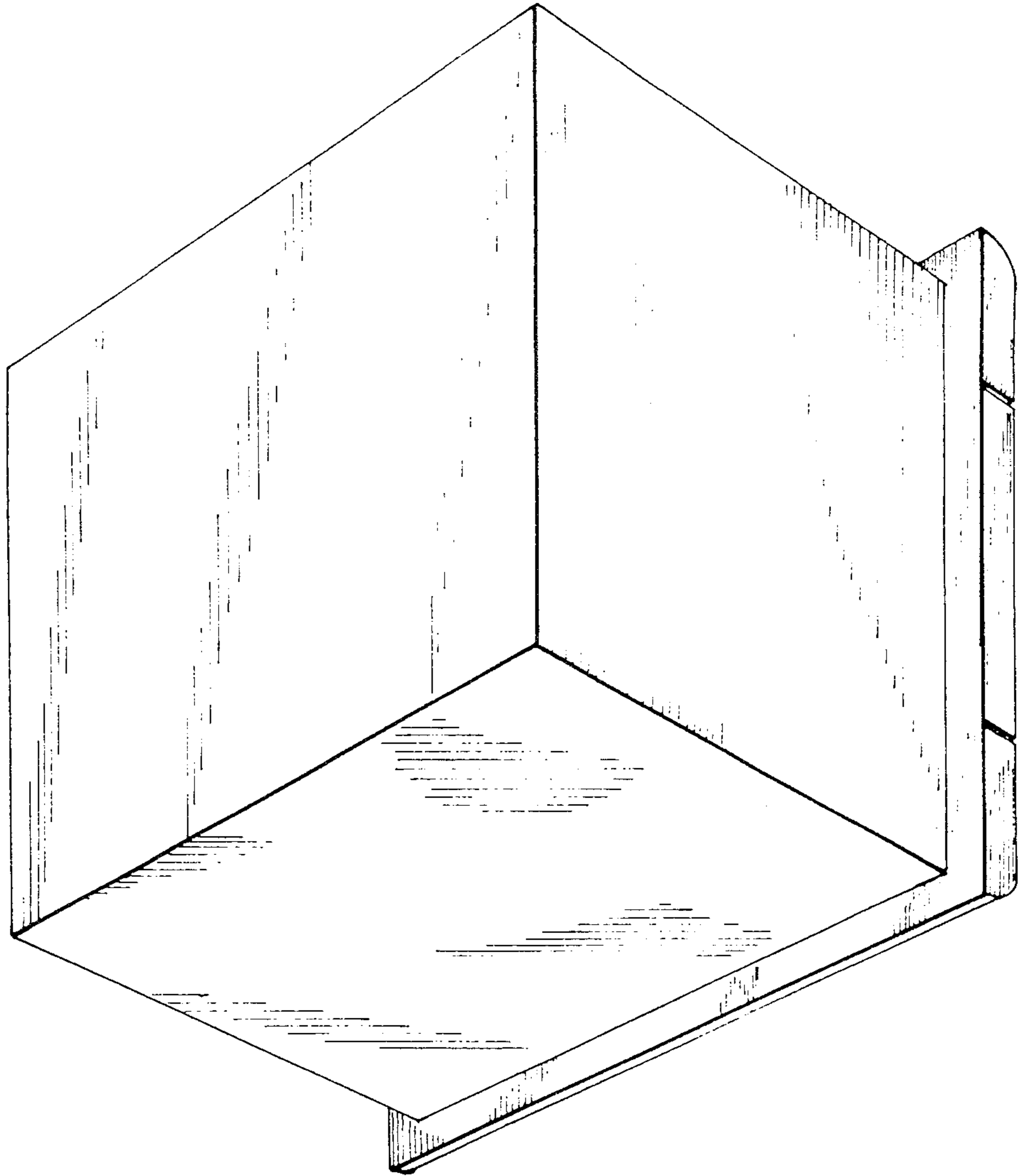


FIGURE 4.