

[54] **HOSE COUPLING**

[75] **Inventors:** **Craig R. Tisserat**, Alta Loma; **Claus O. Huckenbeck**, Tehachapi, both of Calif.

[73] **Assignee:** **Rain Bird Consumer Products Mfg. Corp.**, Duarte, Calif.

[\*\*] **Term:** **14 Years**

[21] **Appl. No.:** **501,176**

[22] **Filed:** **Jun. 6, 1983**

[52] **U.S. Cl.** ..... **D23/44**

[58] **Field of Search** ..... **D23/40-46;**  
285/305, 306, 308, 317, 319, 321, 83

2,419,702	4/1947	Barnes .	
2,816,779	12/1957	Jensen .	
3,342,510	9/1967	Walters .	
3,357,721	12/1957	Hollanszky et al. .	
3,382,892	5/1968	Cerbin .	
3,428,340	2/1969	Pelton .....	285/308 X
3,538,940	11/1970	Graham .....	285/306 X
3,645,562	2/1972	Fundetti et al. .	
3,753,582	8/1973	Graham .....	285/305
3,758,137	9/1973	Kershaw .	
3,877,731	4/1975	Kraus .	
3,990,727	11/1976	Gallagher .	
4,145,076	3/1978	Snow .....	285/305 X
4,216,982	8/1980	Chow .	
4,244,608	1/1981	Stuemky .....	285/305
4,448,470	5/1984	Peterson .....	285/319 X

[56] **References Cited**

**U.S. PATENT DOCUMENTS**

D. 184,984	4/1959	Chapman .....	D23/44
D. 187,578	3/1960	Moffett .....	D23/44
D. 195,540	6/1963	Knight .....	D23/44
D. 254,863	4/1980	Hayes .....	D23/44
D. 265,418	7/1982	Chow et al. ....	D23/43
D. 267,506	1/1983	Evans .....	D23/44
D. 275,316	8/1984	Hayes .....	D23/44
404,429	6/1889	Pearce et al. .	
489,107	1/1893	Storz .	
700,798	5/1902	Morris, Jr. .	
724,324	3/1903	Parsons .	
1,217,041	2/1917	Martz .	
1,248,558	12/1917	Schribner .	
1,971,578	8/1934	Richardson .	
2,132,506	10/1938	Allen .	
2,250,199	7/1941	Kelly .	
2,257,321	9/1941	Arnold .	

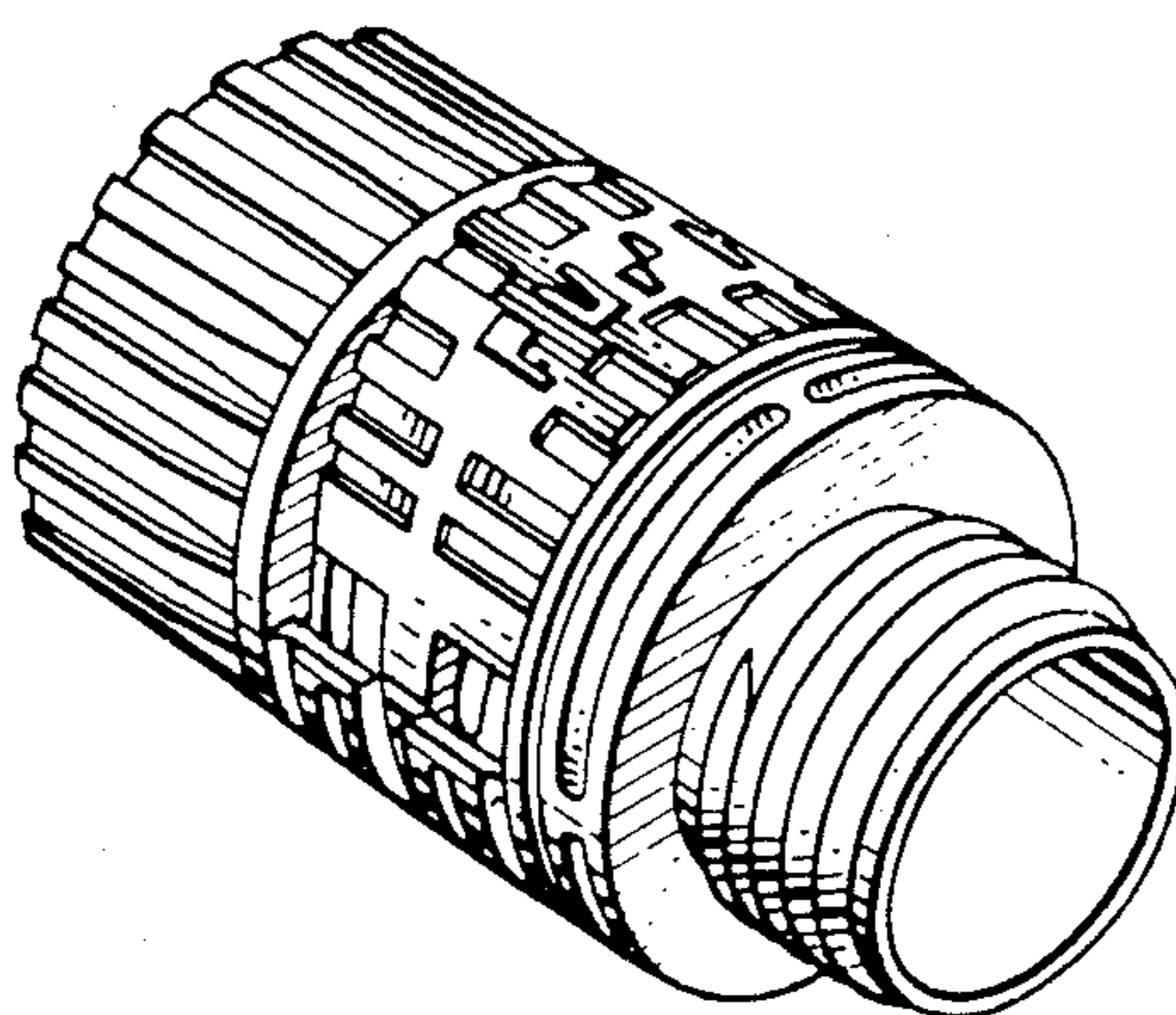
*Primary Examiner*—James R. Largen  
*Attorney, Agent, or Firm*—Fulwider, Patton, Rieber, Lee & Utecht

[57] **CLAIM**

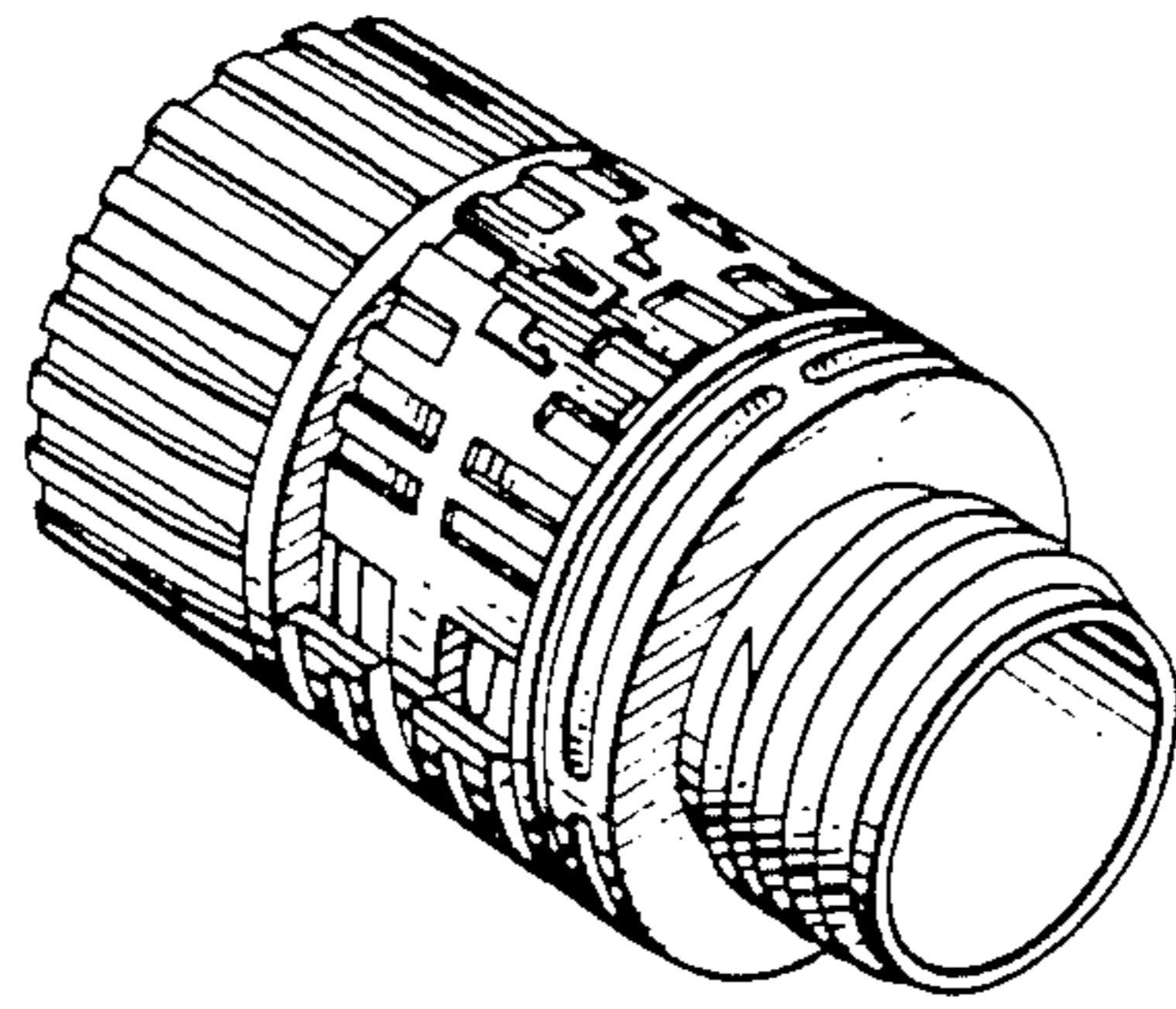
The ornamental design for a hose coupling, substantially as shown and described.

**DESCRIPTION**

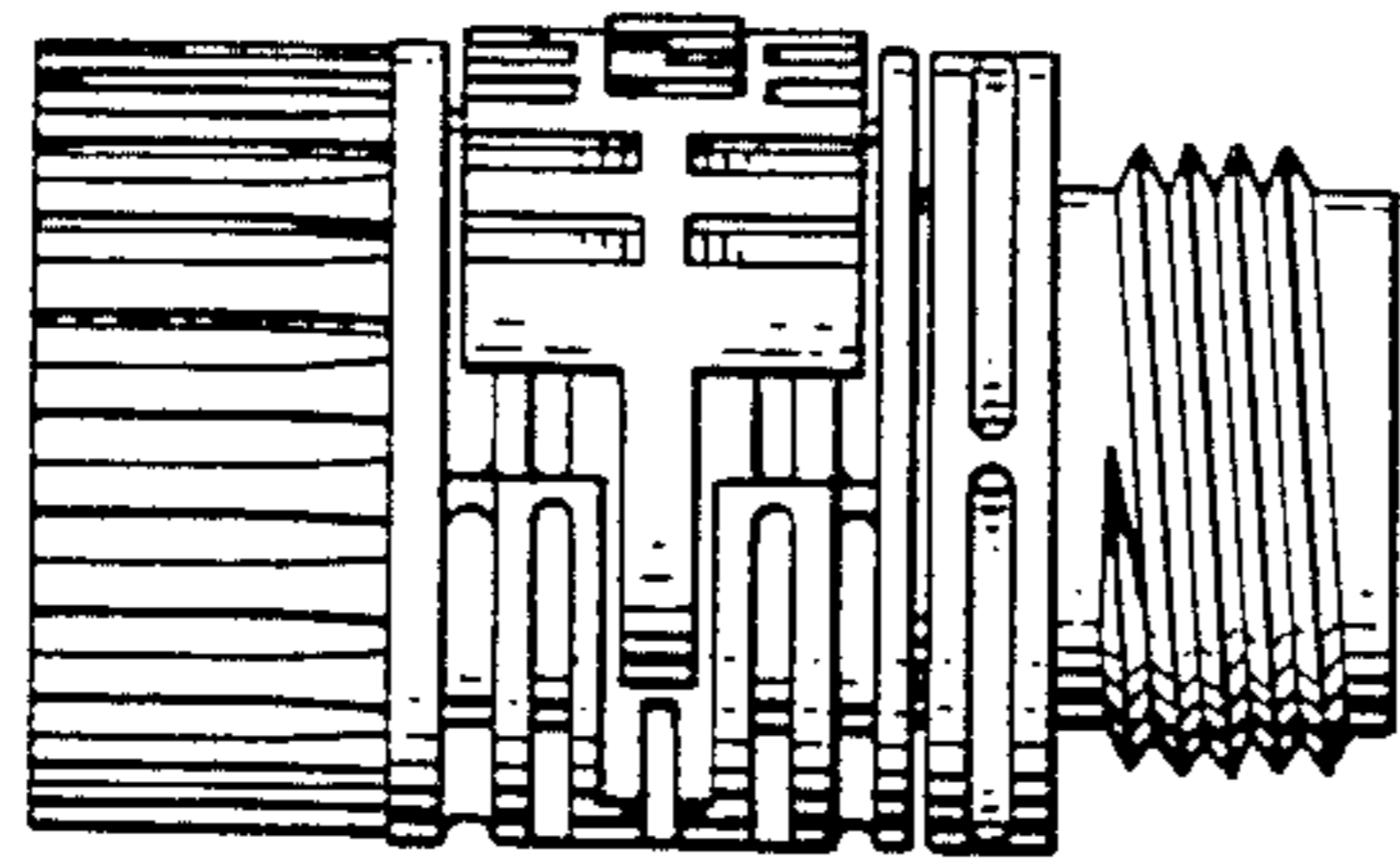
FIG. 1 is a perspective view of the hose coupling embodying the new design and showing the top, front, and left sides thereof;  
FIG. 2 is a left side elevation view thereof;  
FIG. 3 is a front elevation view thereof;  
FIG. 4 is a rear elevation view thereof;  
FIG. 5 is a right side elevation view thereof;  
FIG. 6 is a top plan view thereof;  
FIG. 7 is a bottom plan view thereof; and  
FIG. 8 is an exploded perspective view thereof.



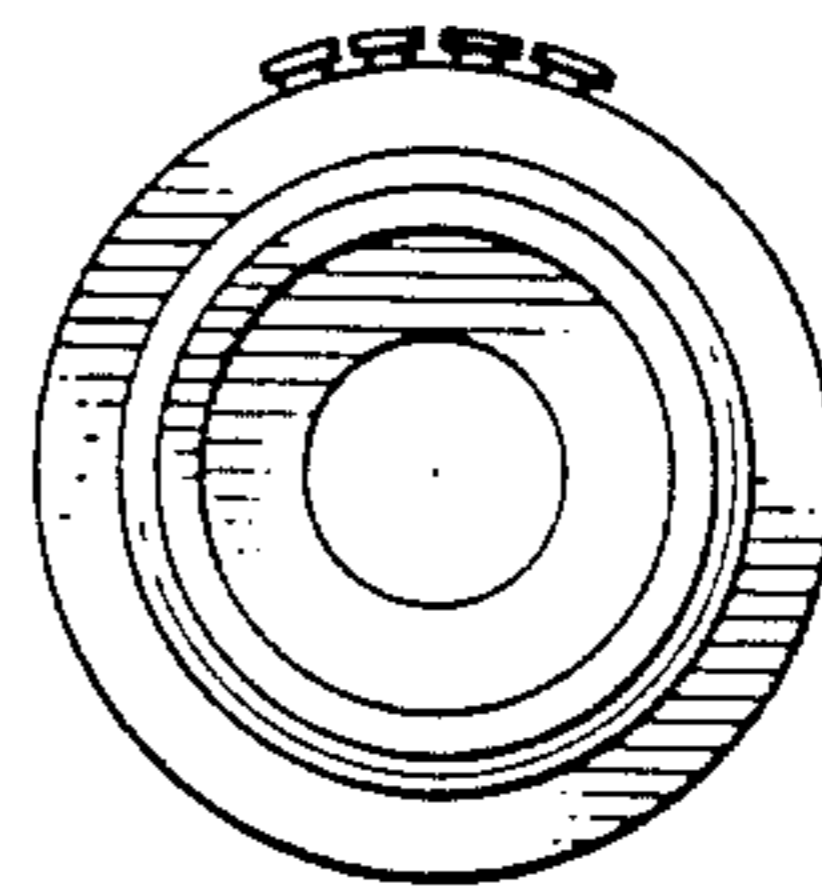
*FIG. 1*



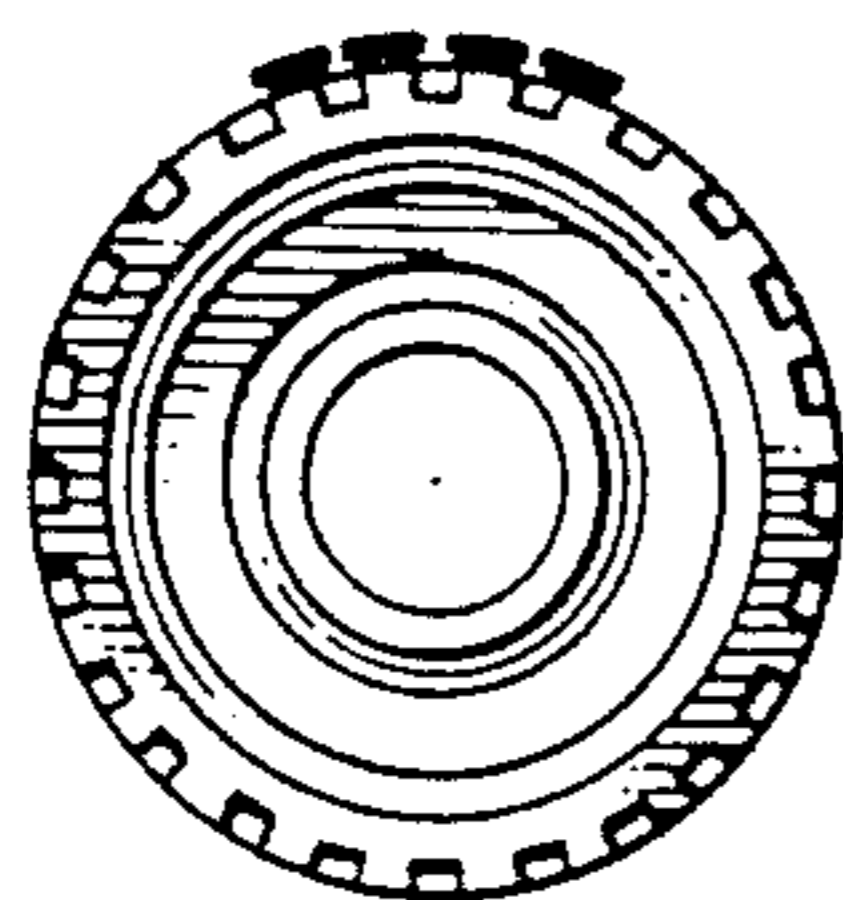
*FIG. 2*



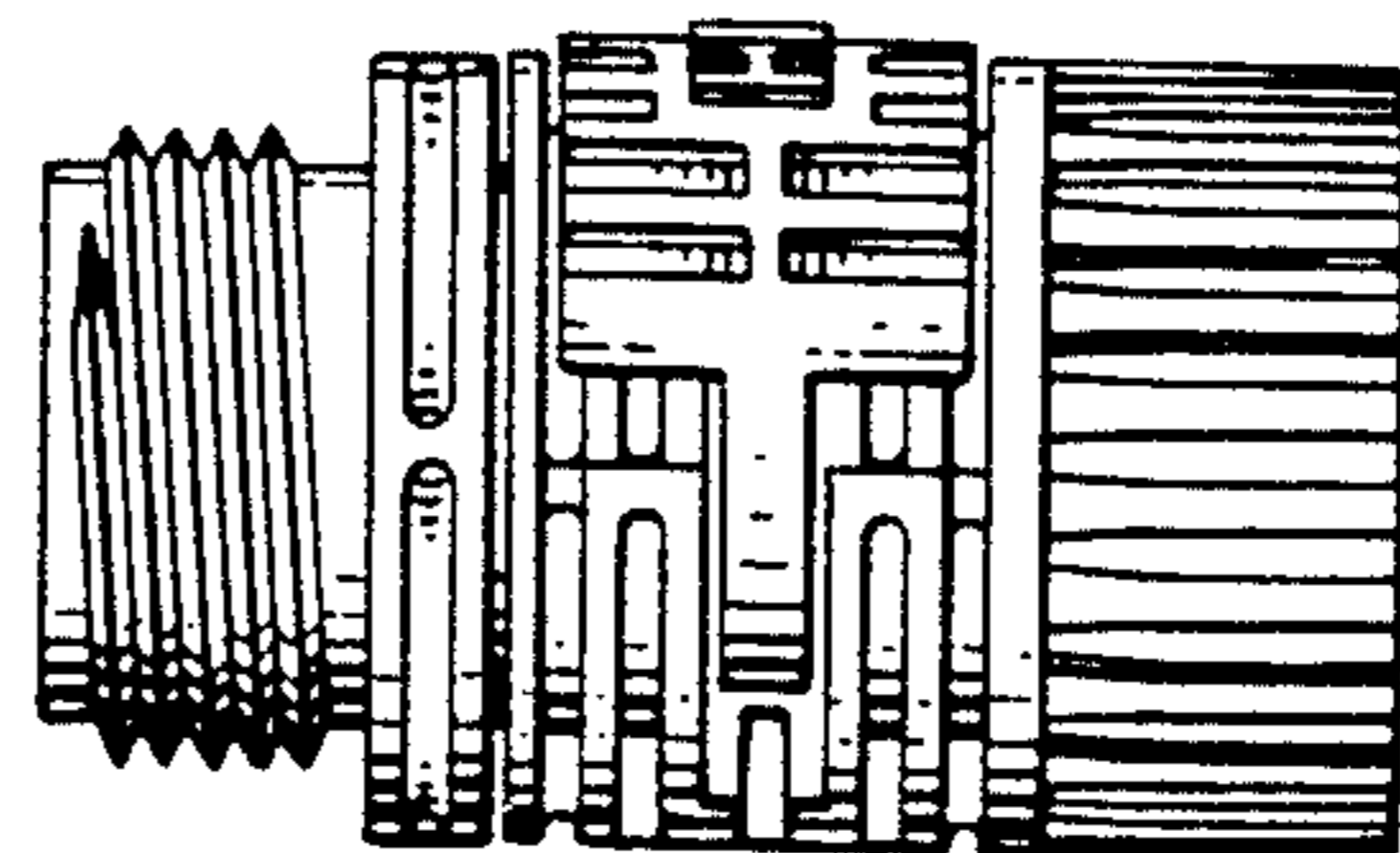
*FIG. 3*



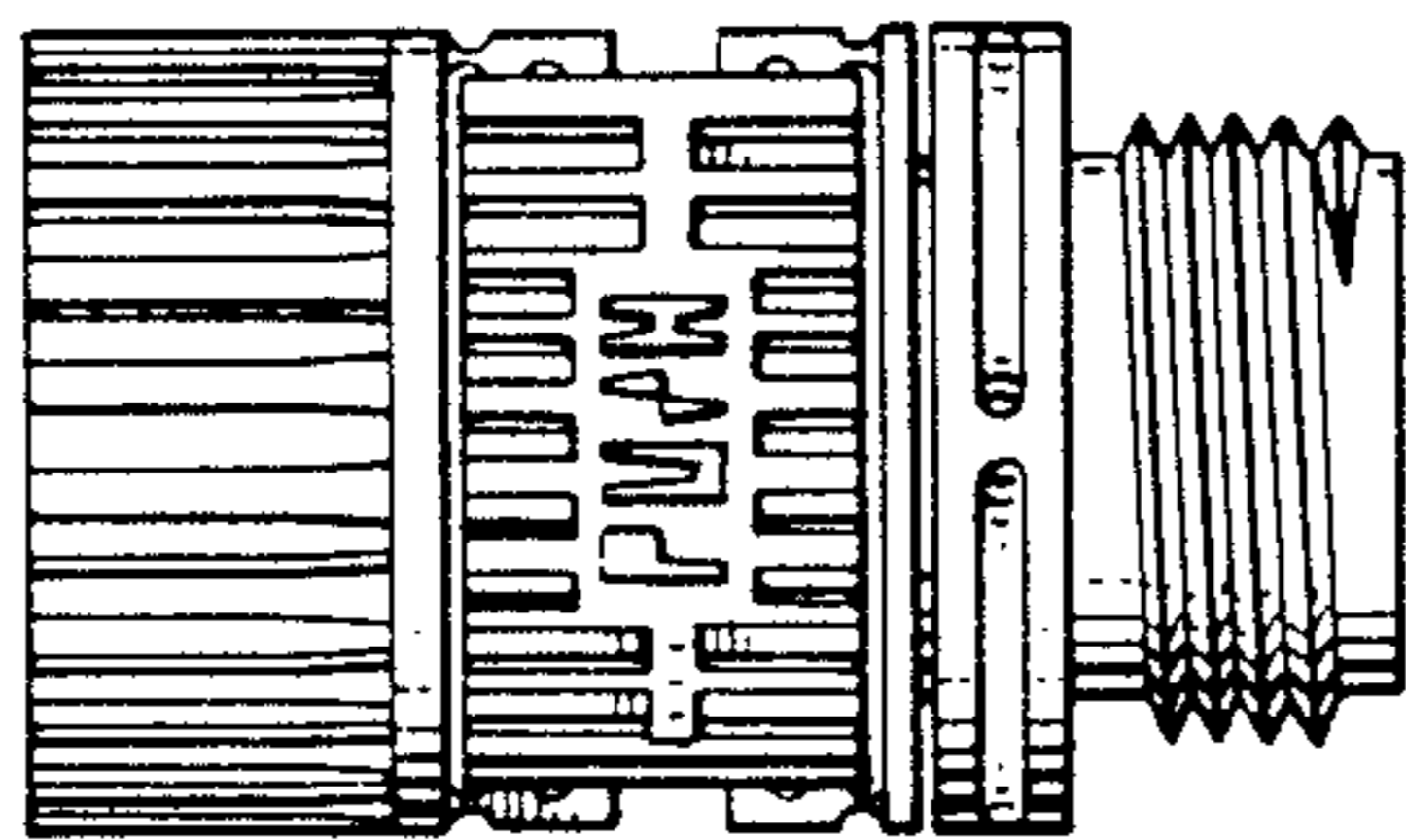
*FIG. 4*



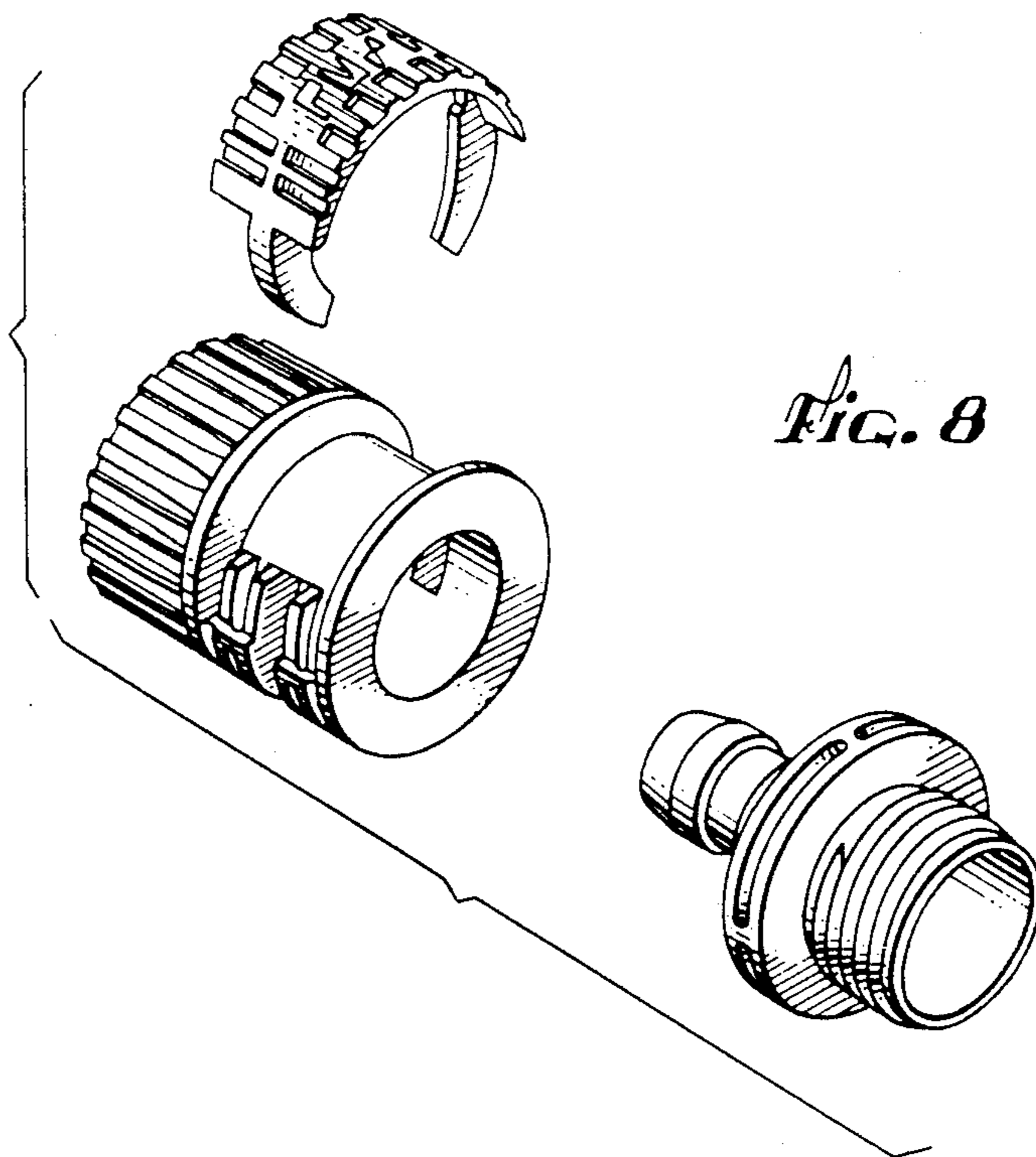
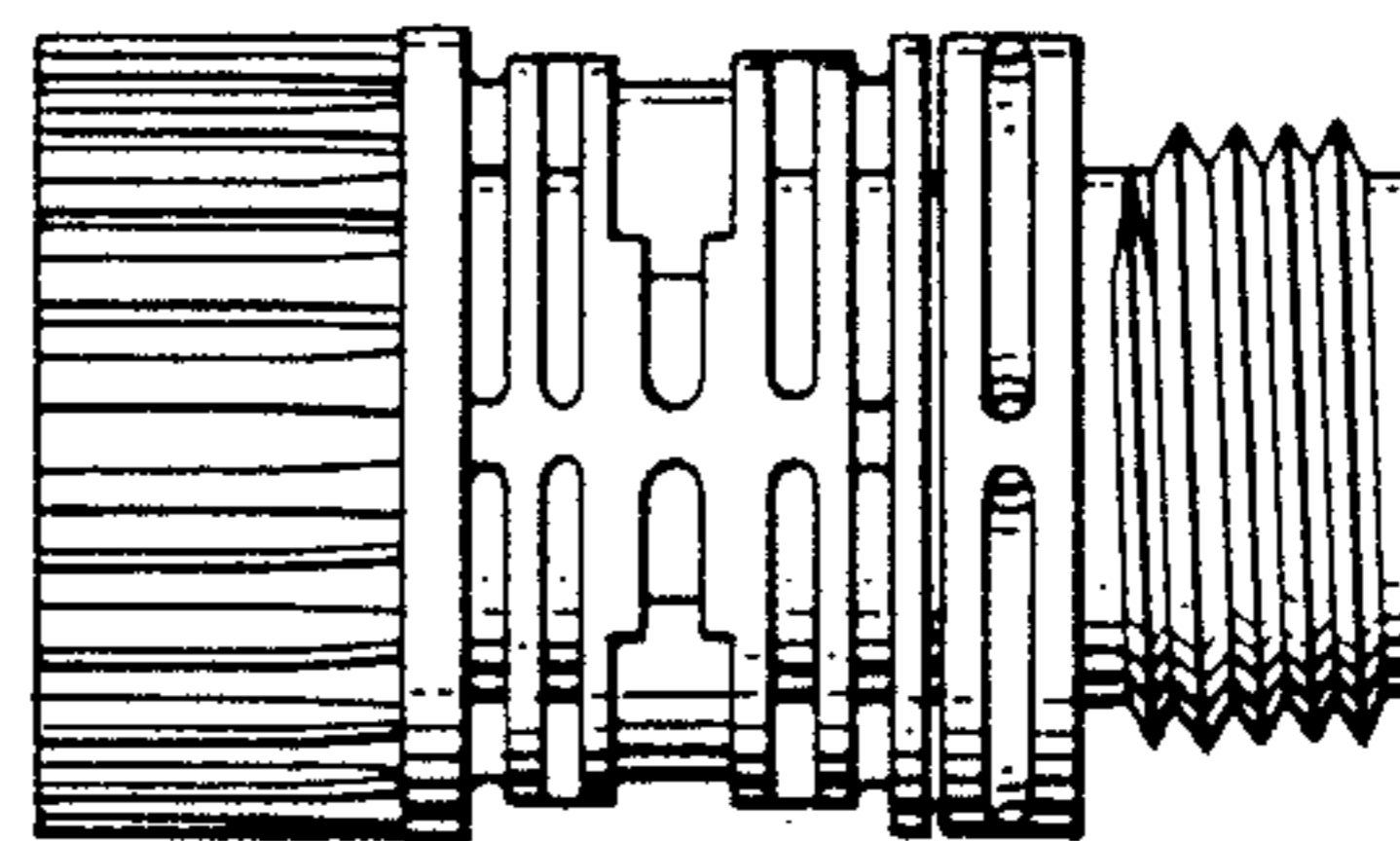
*FIG. 5*



*FIG. 6*



*FIG. 7*



*FIG. 8*