

[54] FISHING REEL

D. 273,974 5/1984 Myojo ..... D22/25  
4,394,991 7/1983 Noda ..... 242/84.1 R

[75] Inventors: Kanji Iinuma; Hideo Nakamura;  
Takashi Atobe, all of Tokyo, Japan

Primary Examiner—A. Hugo Word  
Attorney, Agent, or Firm—Sughrue, Mion, Zinn,  
Macpeak & Seas

[73] Assignee: Daiwa Seiko, Inc., Tokyo, Japan

[\*\*] Term: 14 Years

[57] CLAIM

[21] Appl. No.: 567,017

The ornamental design for a fishing reel, as shown and described.

[22] Filed: Dec. 30, 1983

DESCRIPTION

[30] Foreign Application Priority Data

Jul. 7, 1983 [JP] Japan ..... 58-29451

[52] U.S. Cl. .... D22/25

[58] Field of Search ..... 242/84.1 R, 84.1 A,  
242/84.2 R, 84.2 A, 84.2 B; D22/25

FIG. 1 is a left side elevational view of a fishing reel showing our new design;

FIG. 2 is a right side elevational view thereof;

FIG. 3 is a top plan view thereof;

FIG. 4 is a bottom plan view thereof;

FIG. 5 is a rear elevational view thereof;

FIG. 6 is a front elevational view thereof;

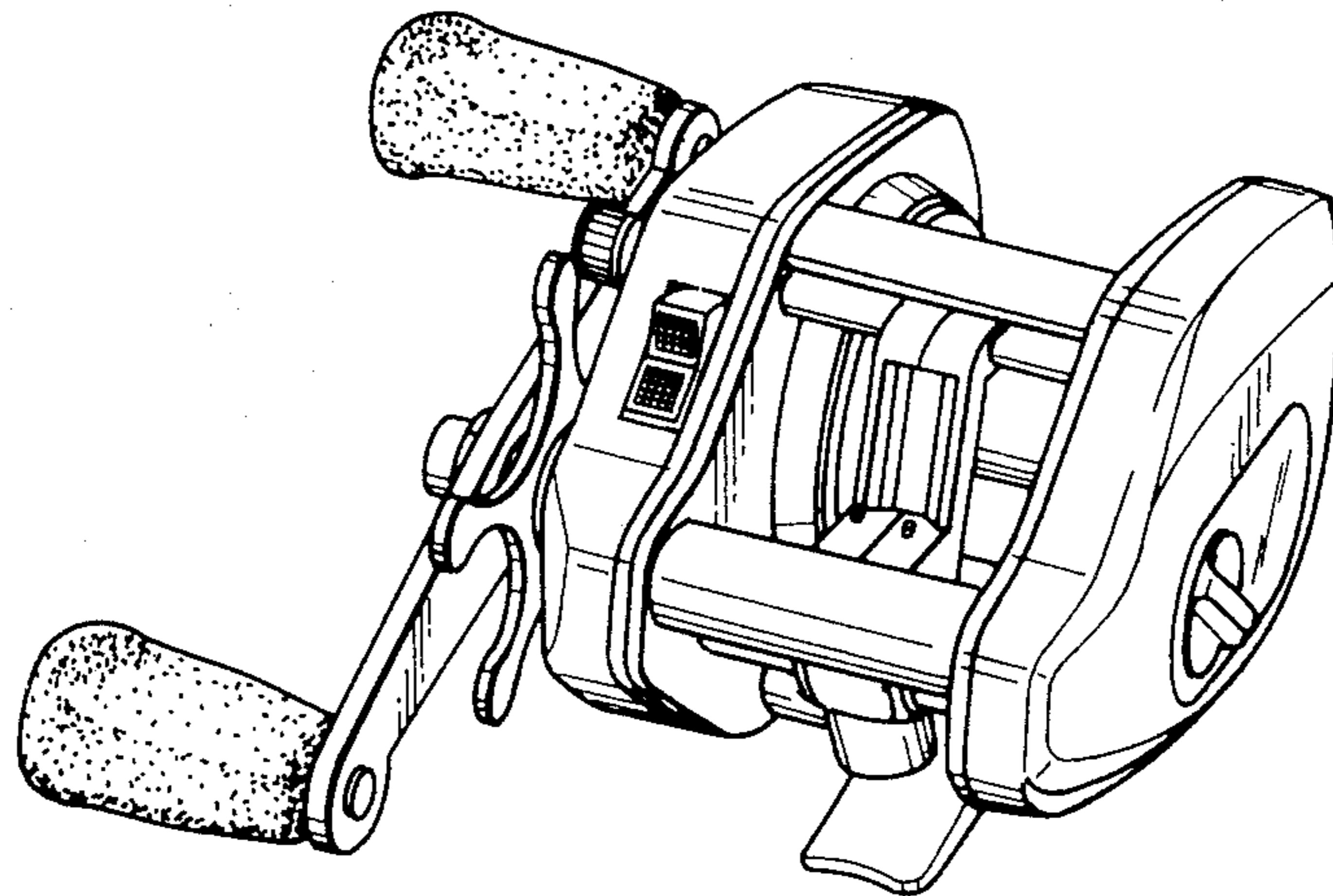
FIG. 7 is a top, front and right side perspective view thereof in one mode; and

FIG. 8 is a similar perspective view thereof in a second mode.

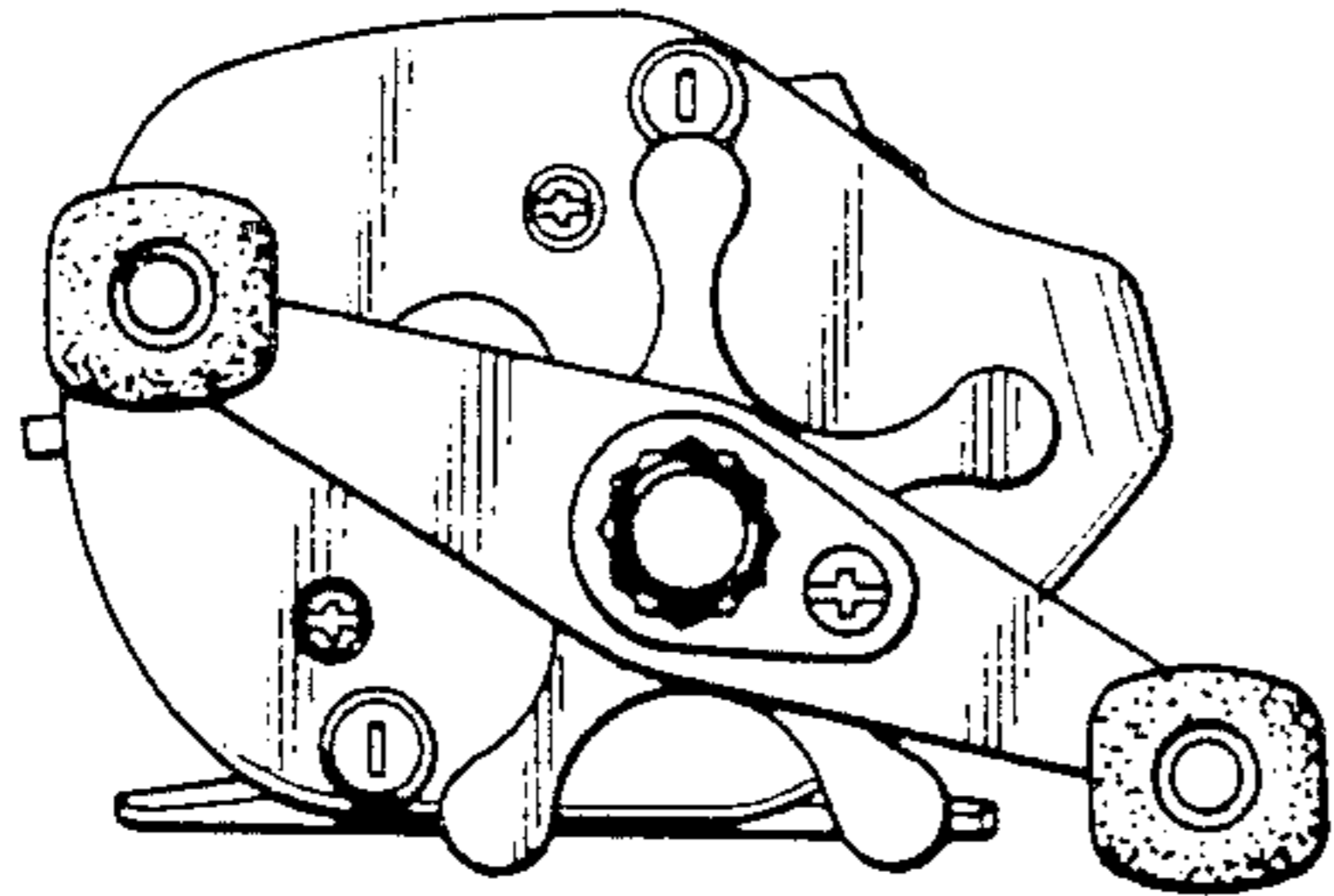
[56] References Cited

U.S. PATENT DOCUMENTS

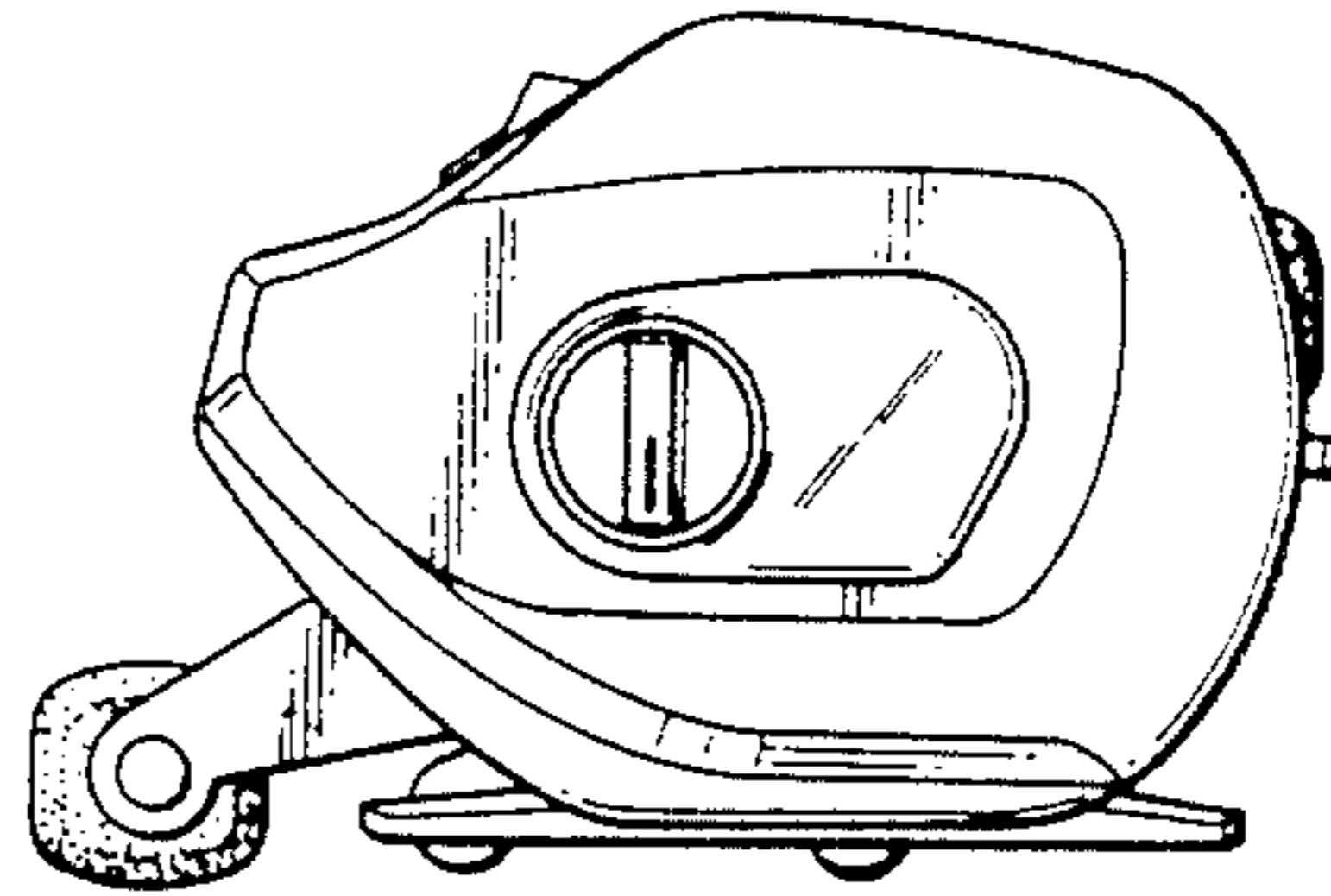
D. 265,497 7/1982 Sakamoto et al. .... D22/25  
D. 266,184 9/1982 Iinuma et al. .... D22/25



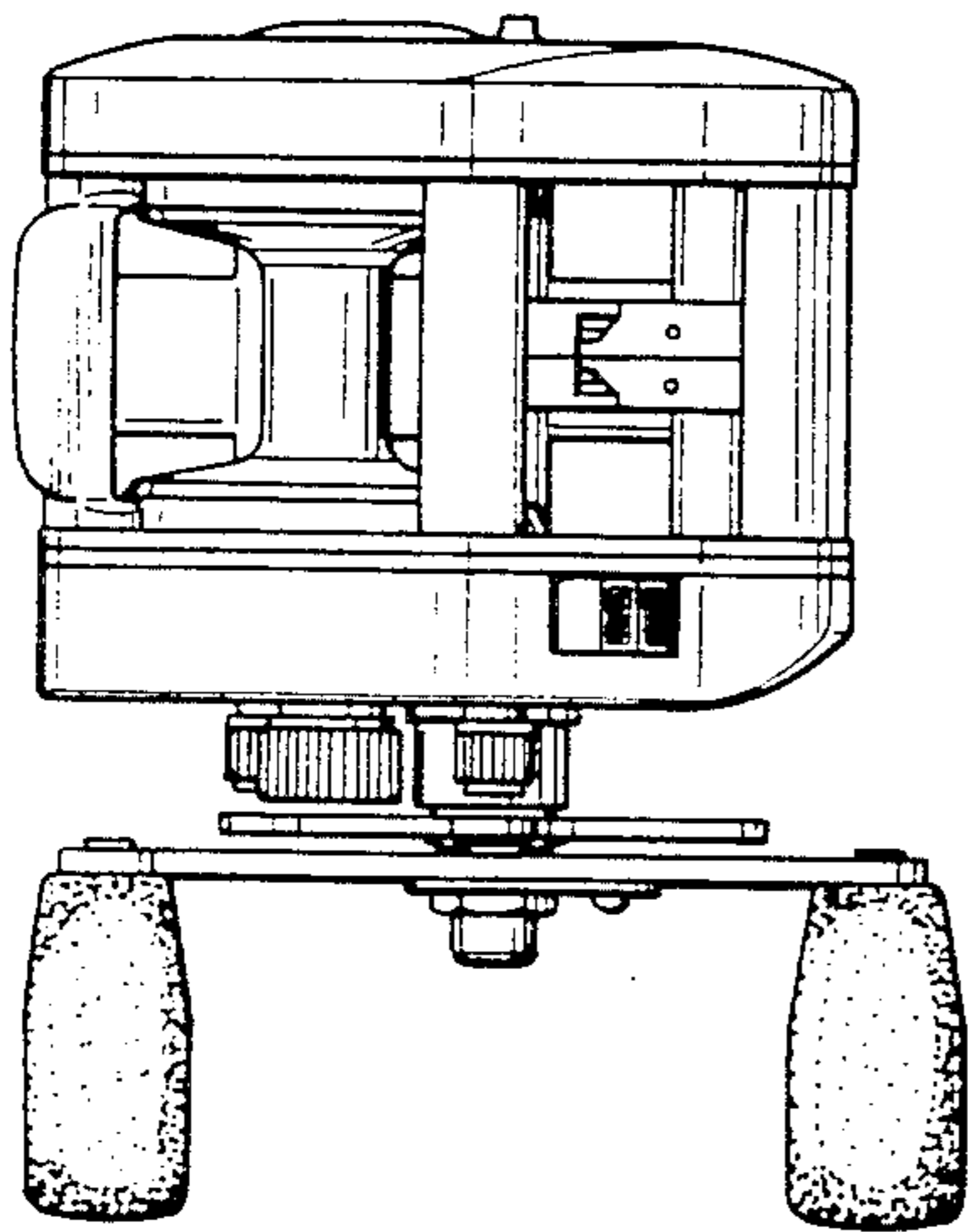
*Fig. 1*



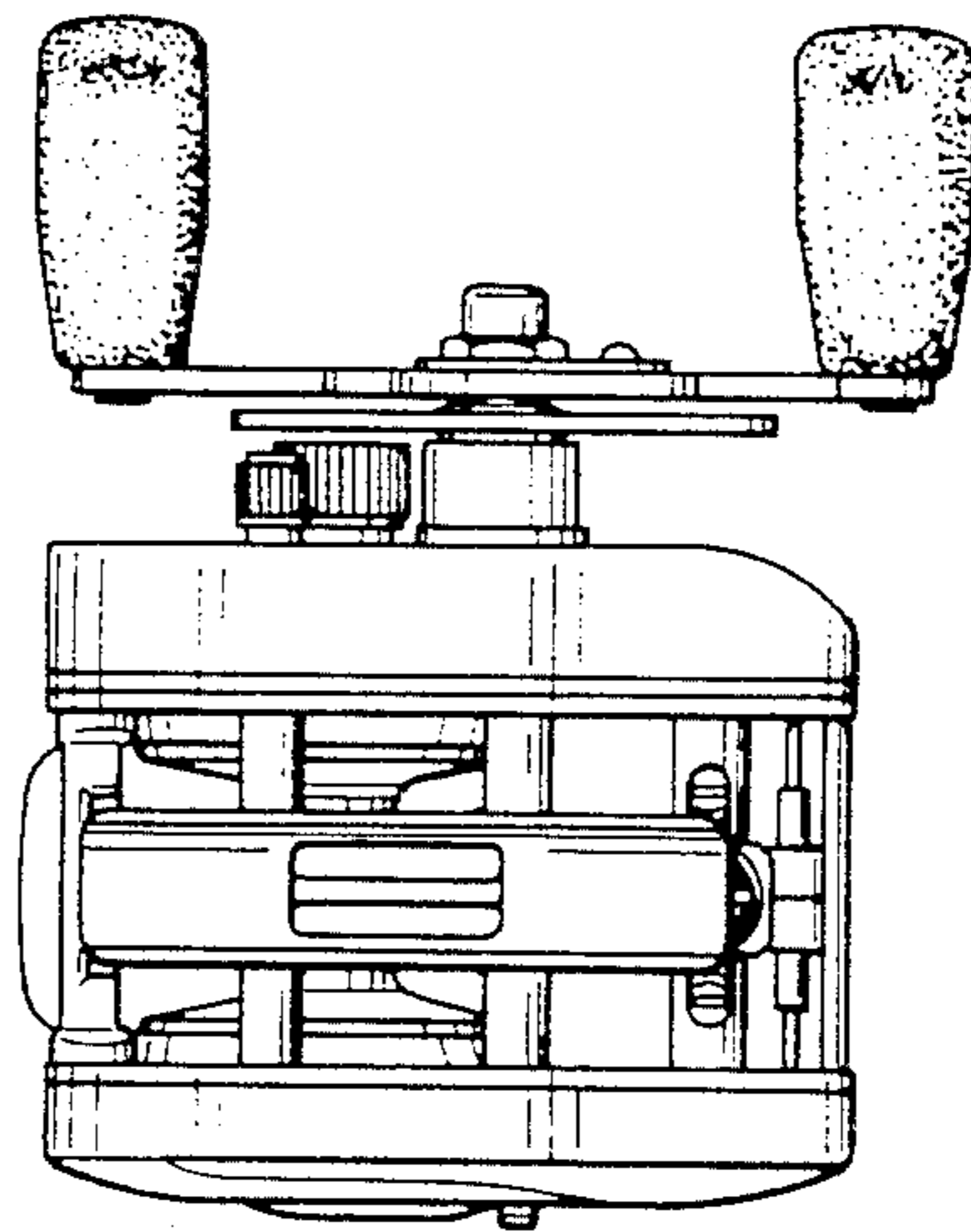
*Fig. 2*



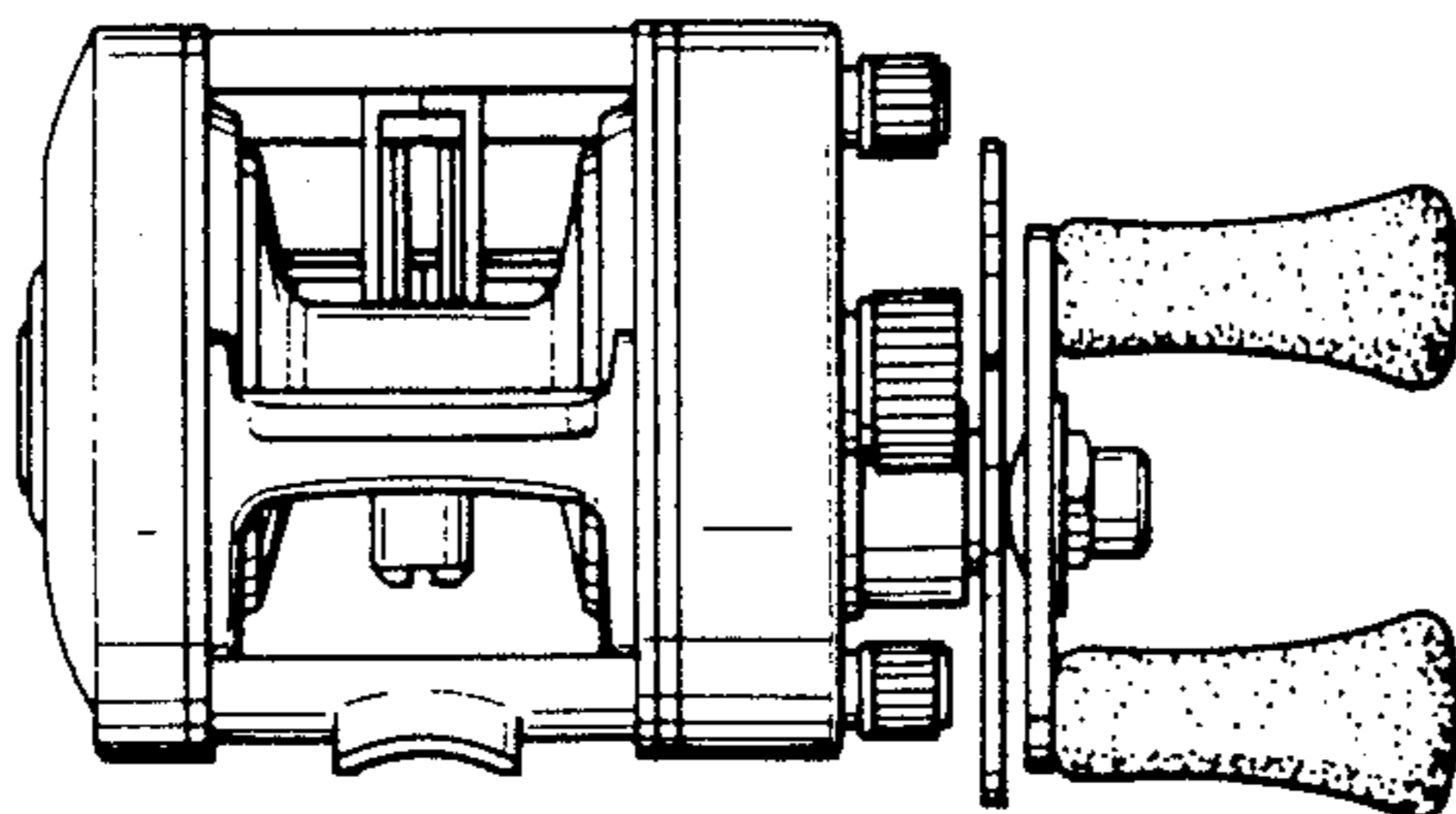
*Fig. 3*



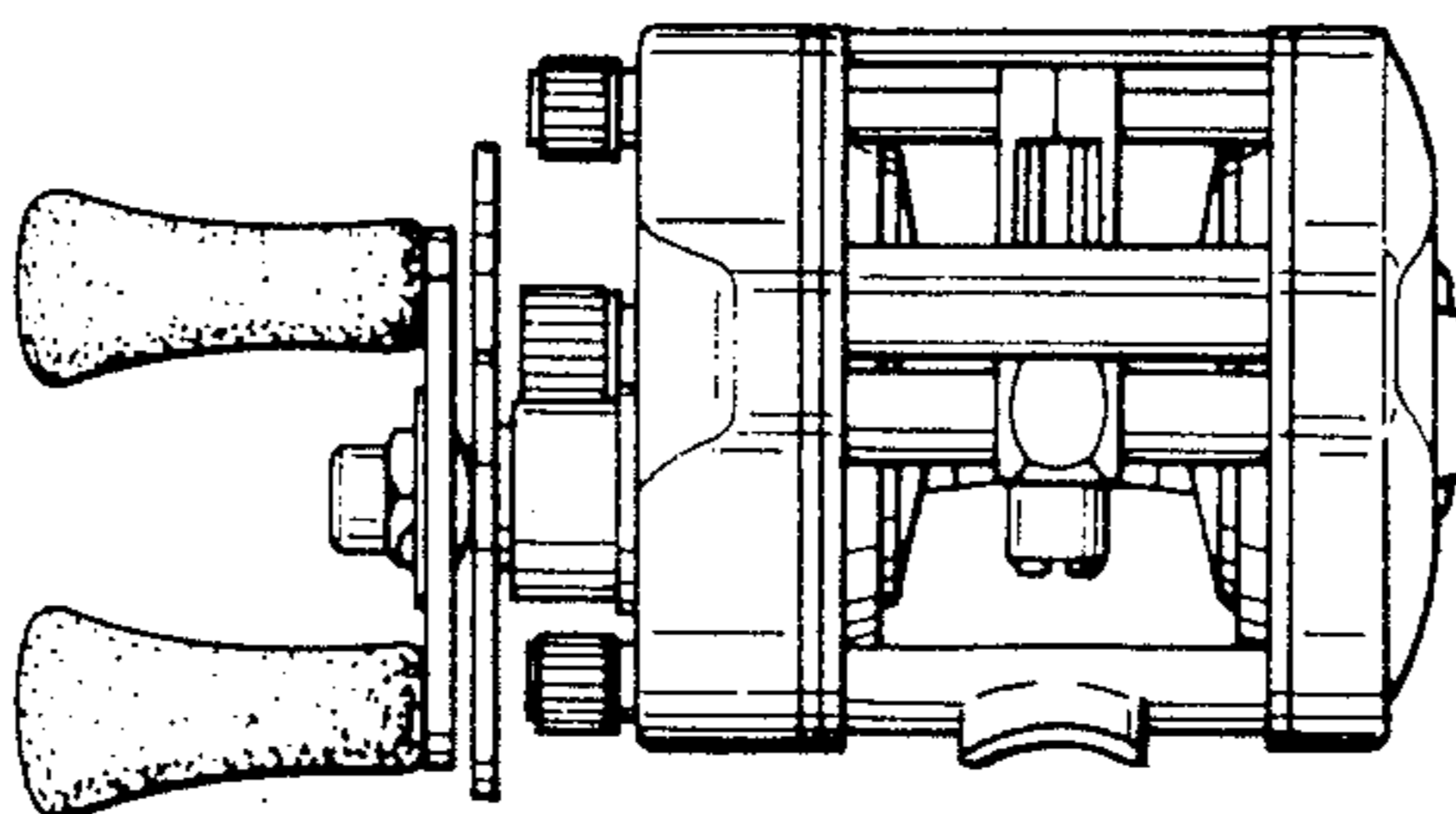
*Fig. 4*



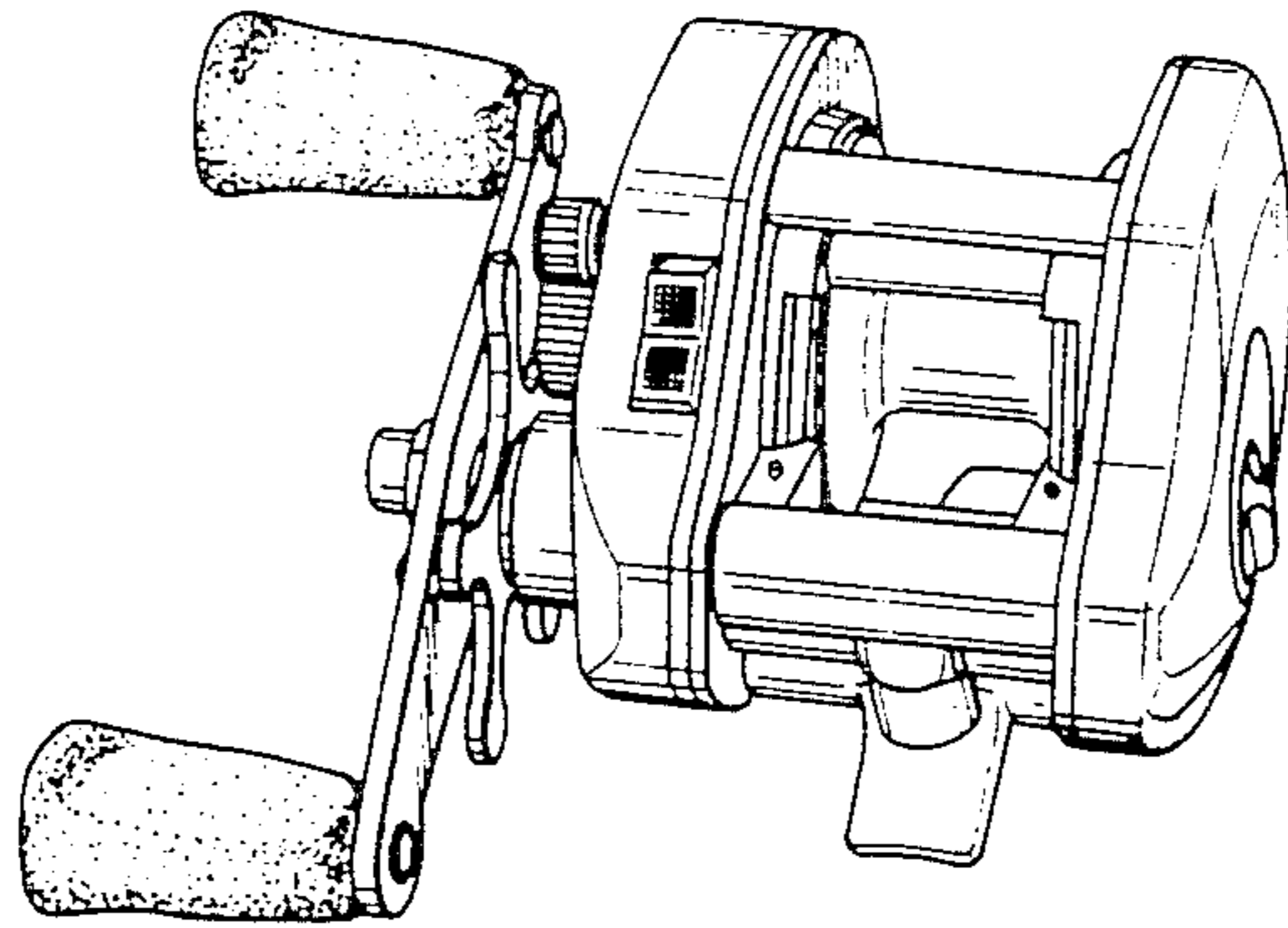
*Fig. 5*



*Fig. 6*



*Fig. 7*



*Fig. 8*

