

[54] COMBINED RECONFIGURABLE TOY CASSETTE AND BOX THEREFOR

[75] Inventor: Takashi Matsuda, Tokyo, Japan

[73] Assignee: Takara Co., Ltd., Tokyo, Japan

[\*\*] Term: 14 Years

[21] Appl. No.: 557,926

[22] Filed: Dec. 2, 1983

[52] U.S. Cl. .... D21/150; D21/59; D21/112; D21/161

[58] Field of Search ..... D21/150, 59, 160, 159, D21/161, 112; D14/11; 446/71, 72, 73, 74, 75, 76, 77, 80

[56] References Cited

U.S. PATENT DOCUMENTS

- D. 144,983 6/1946 Plumer ..... D21/161
- D. 144,984 6/1946 Plumer ..... D21/161
- D. 262,876 2/1982 Yoshizawa ..... D14/11
- D. 272,620 2/1984 Kawai ..... D14/11

OTHER PUBLICATIONS

Stereo Review, 5-1980, p. 7, Cassette.

Primary Examiner—Charles A. Rademaker  
Attorney, Agent, or Firm—Price, Gess & Ubell

[57] CLAIM

The ornamental design for a combined reconfigurable toy cassette and box therefor, substantially as shown and described.

DESCRIPTION

FIG. 1 is a front elevational view of a combined reconfigurable toy cassette and box therefor;  
 FIG. 2 is a right side elevational view thereof;  
 FIG. 3 is a rear elevational view thereof;  
 FIG. 4 is a top plan view thereof;  
 FIG. 5 is a bottom plan view thereof;  
 FIG. 6 is a left side elevational view thereof;  
 FIG. 7 is a front elevational view of the toy cassette member with the box removed;  
 FIG. 8 is a right side elevational view thereof;  
 FIG. 9 is a rear elevational view thereof;  
 FIG. 10 is a top plan view thereof;  
 FIG. 11 is a bottom plan view thereof;  
 FIG. 12 is a left side elevational view thereof;  
 FIG. 13 is a front elevational view of the toy cassette member shown in FIGS. 1 through 12 in a reconfigured form;  
 FIG. 14 is a right side elevational view thereof;  
 FIG. 15 is a rear elevational view thereof;  
 FIG. 16 is a top plan view thereof;  
 FIG. 17 is a bottom plan view thereof; and  
 FIG. 18 is a left side elevational view thereof.

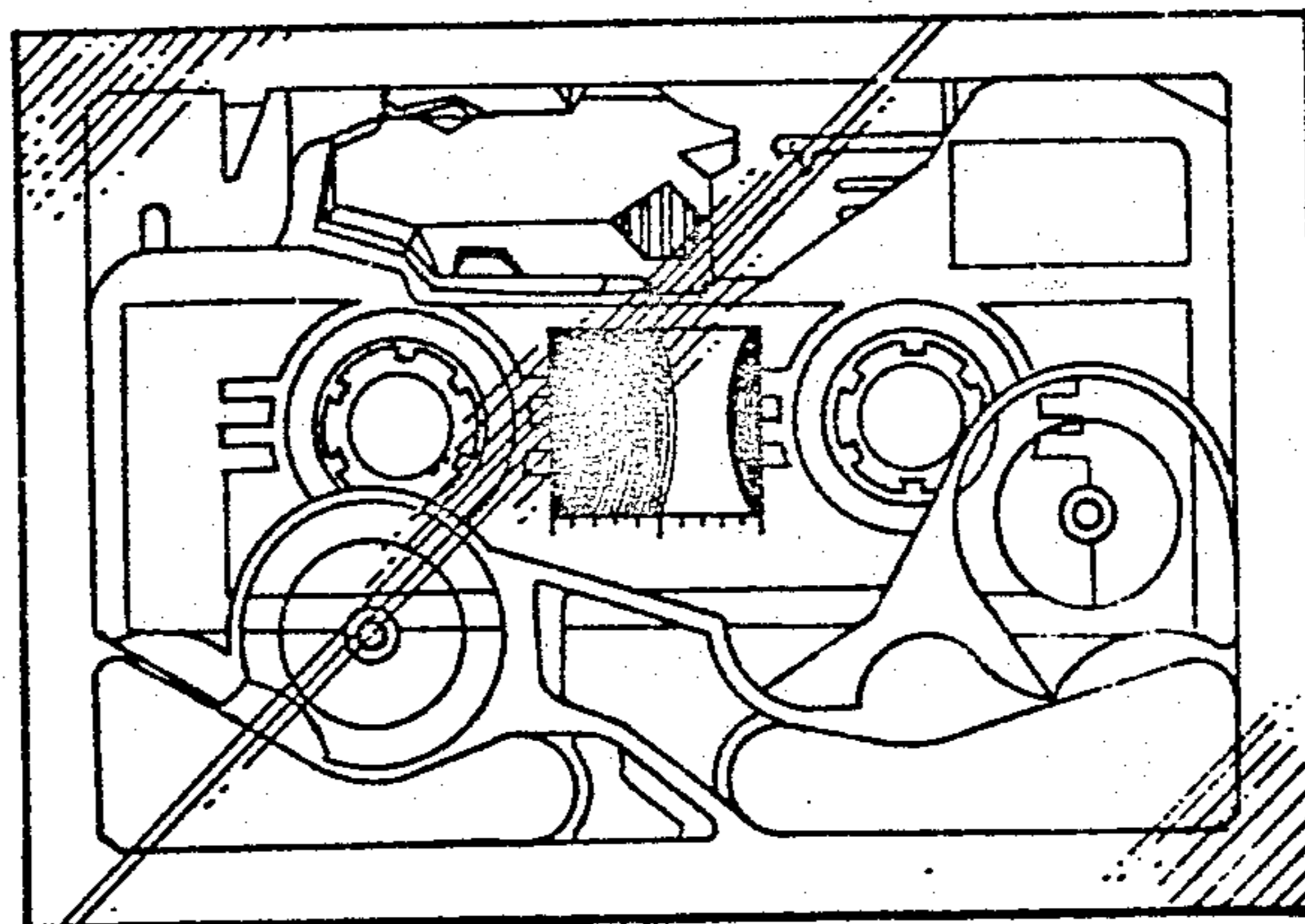
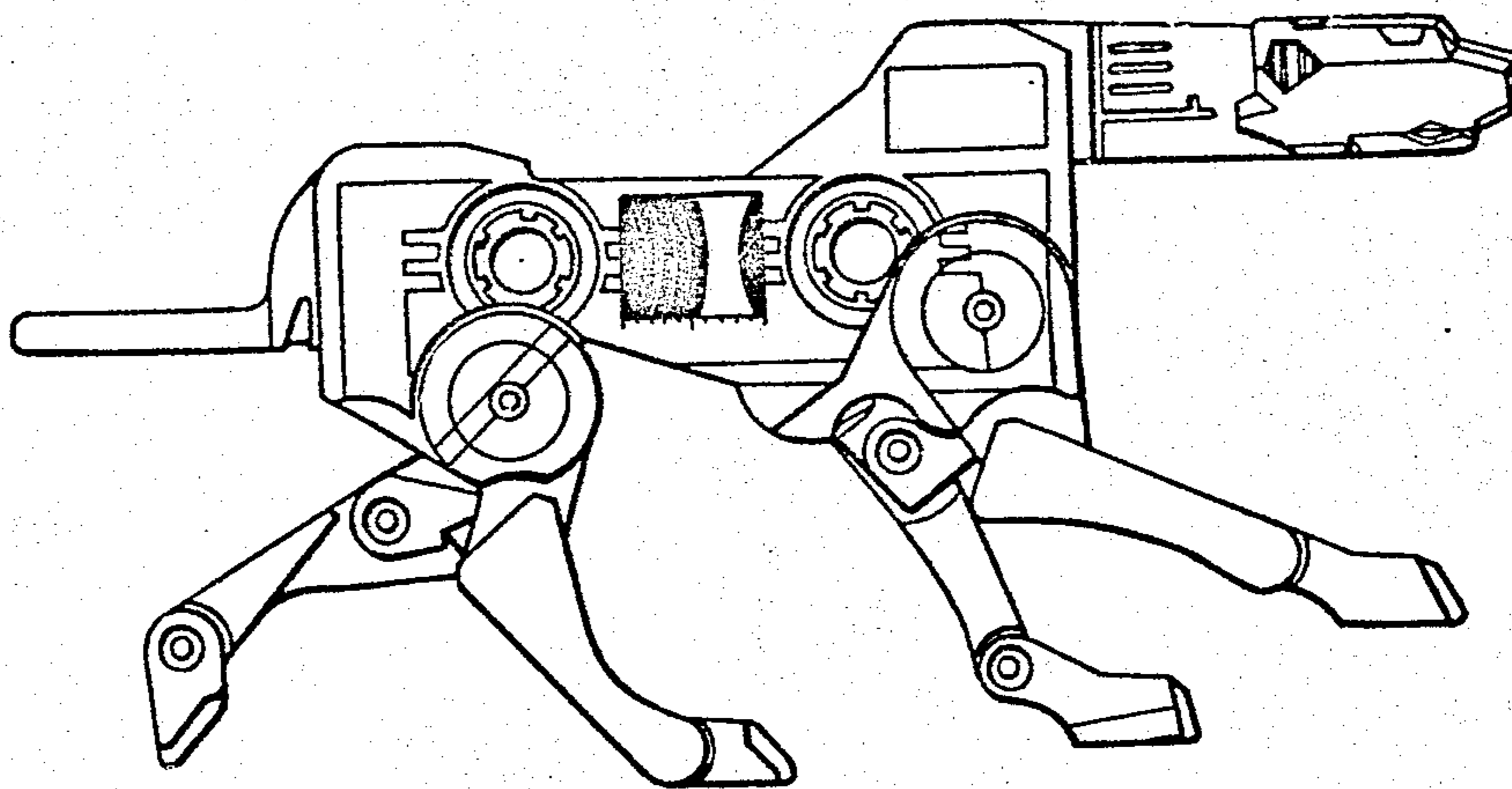




FIG. 1

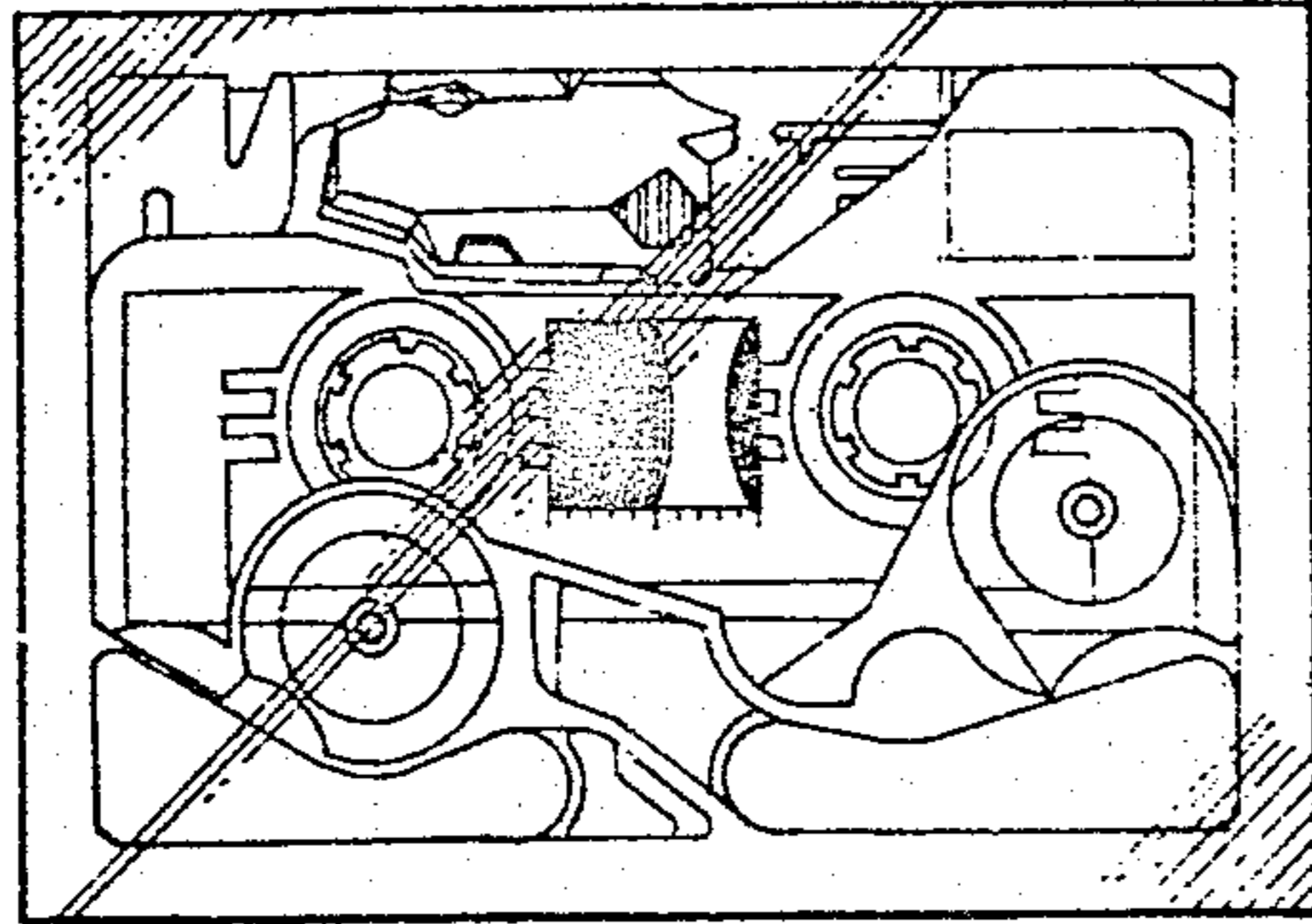


FIG. 2



FIG. 4

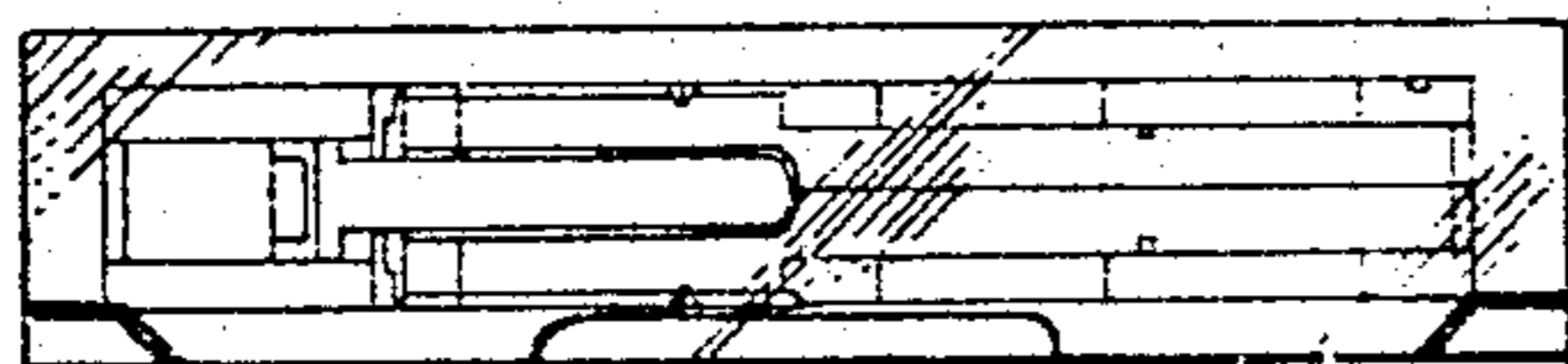


FIG. 5

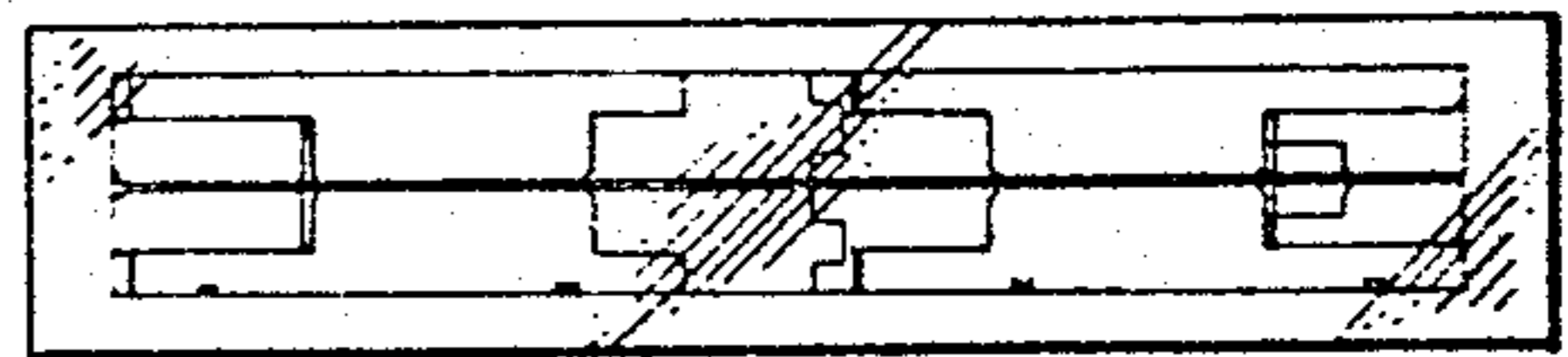


FIG. 3

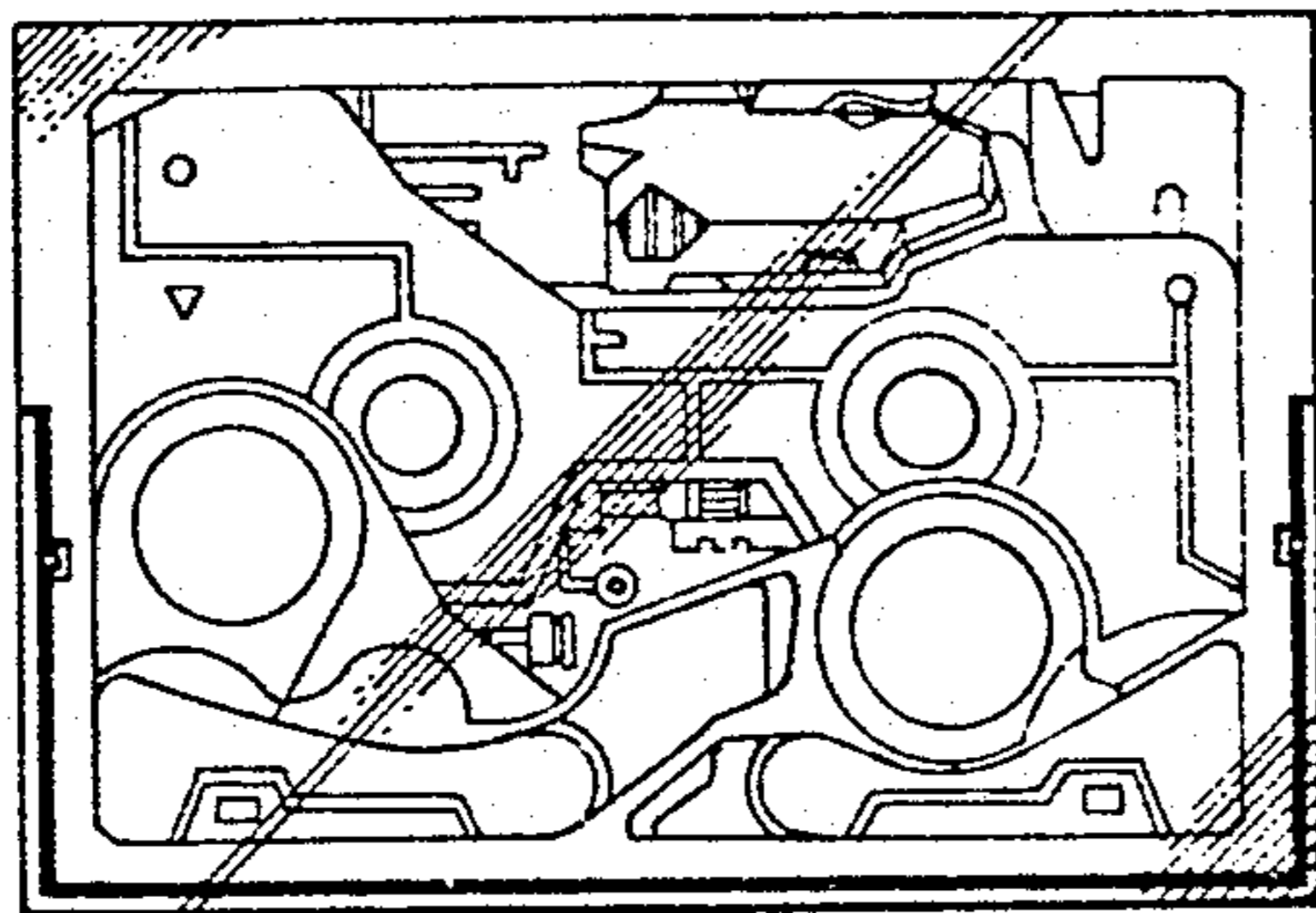


FIG. 6

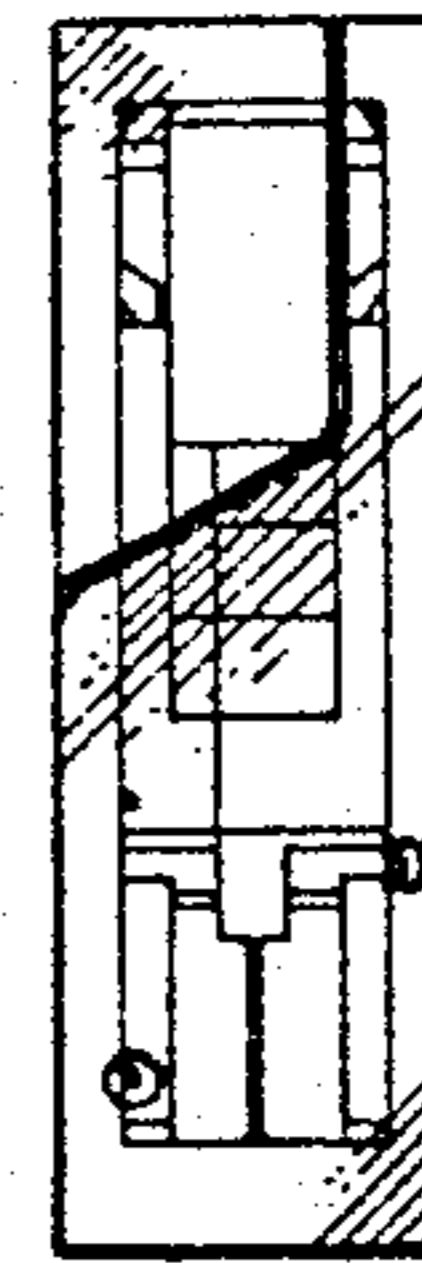


FIG. 7

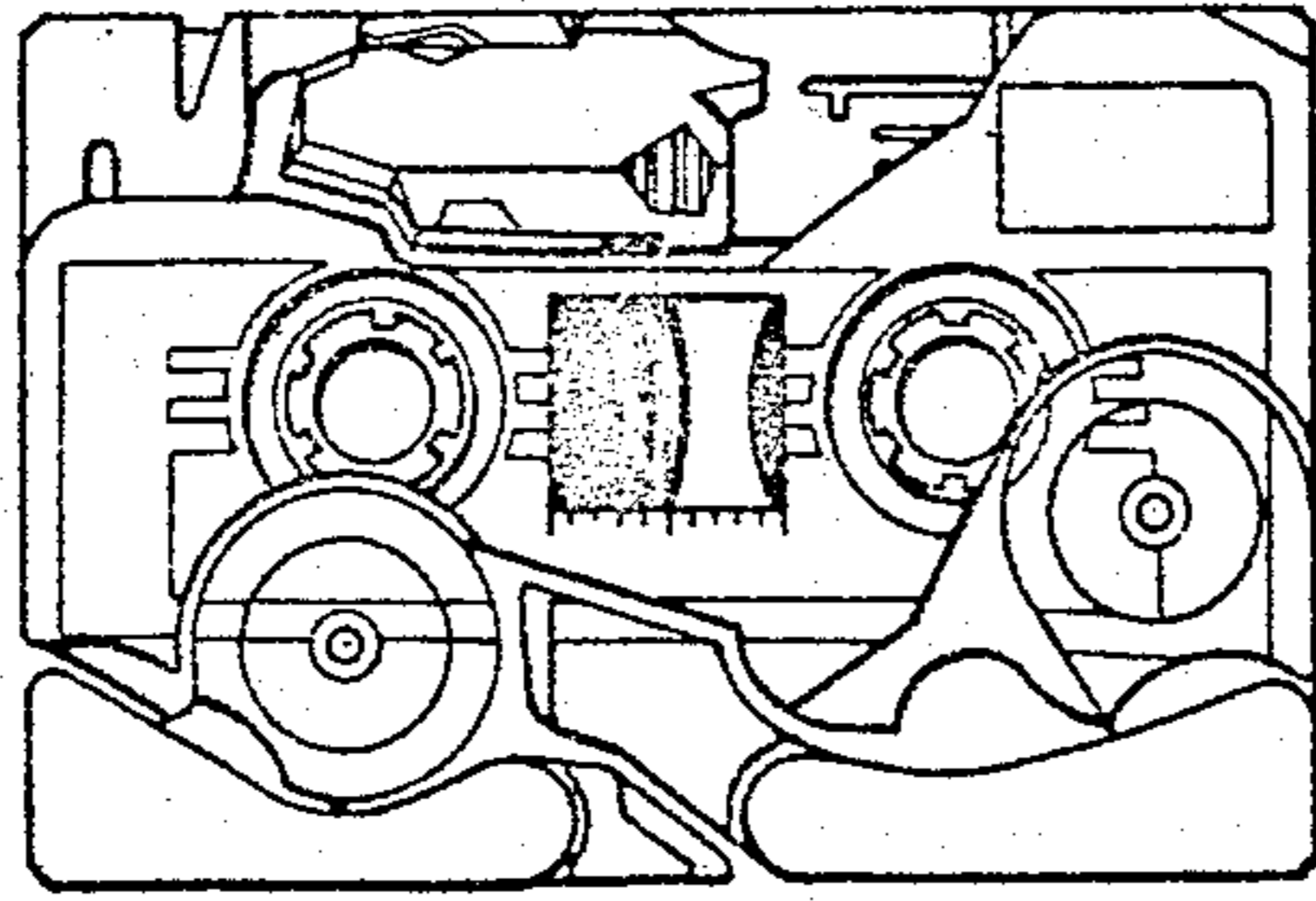


FIG. 8



FIG. 10



FIG. 11



FIG. 9

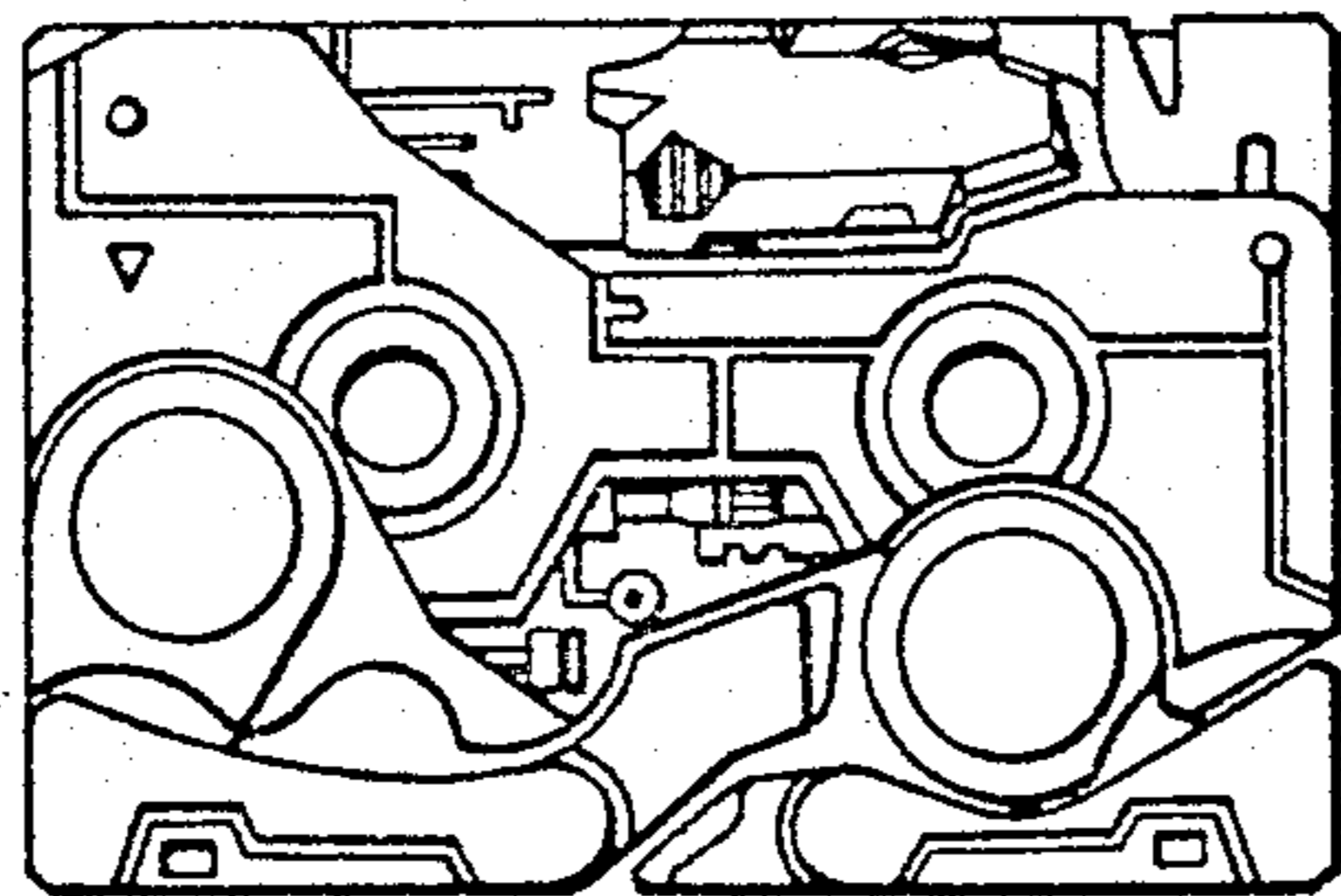


FIG. 12

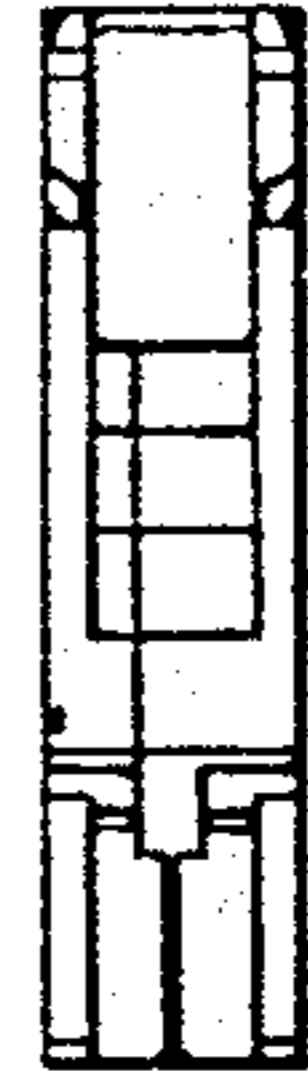




FIG.13

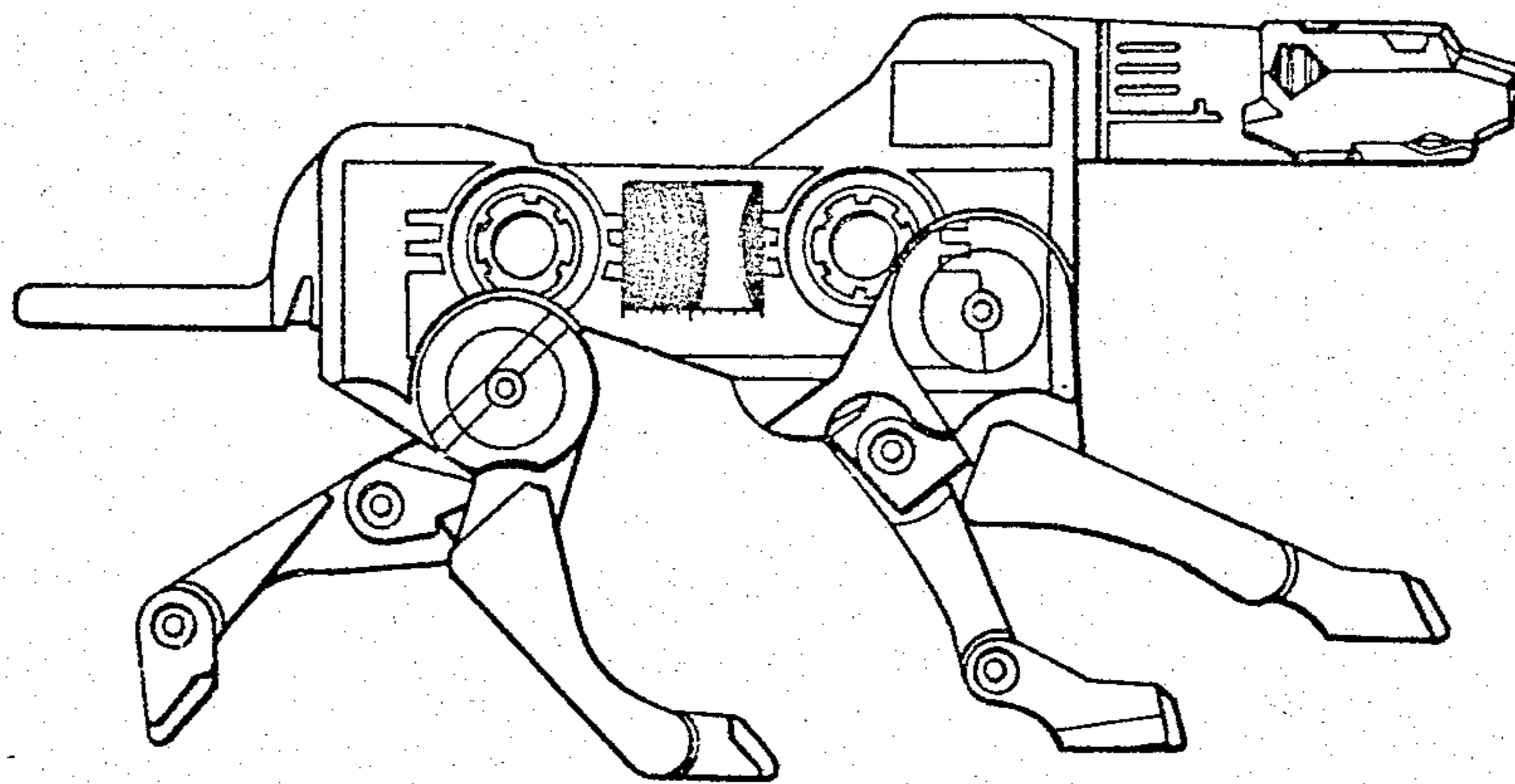


FIG.14



FIG.16

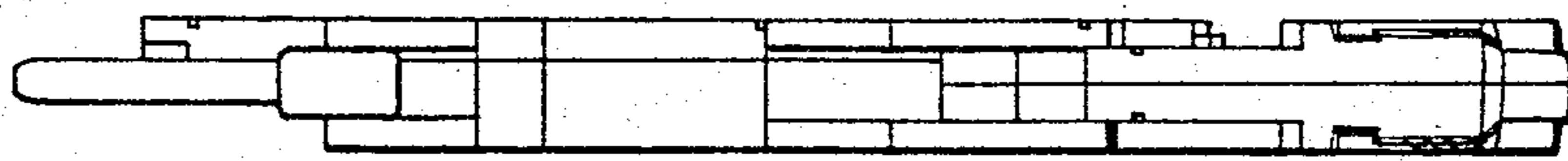


FIG.17

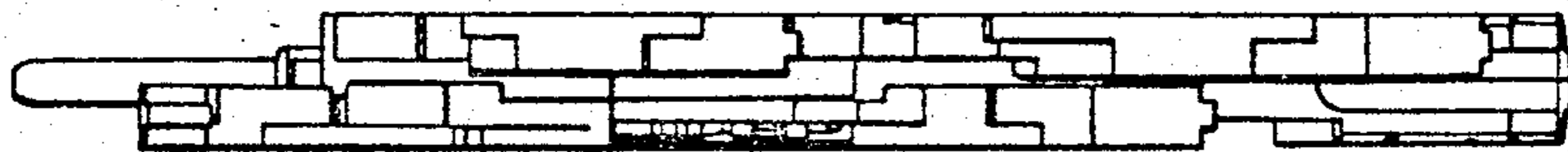


FIG.15

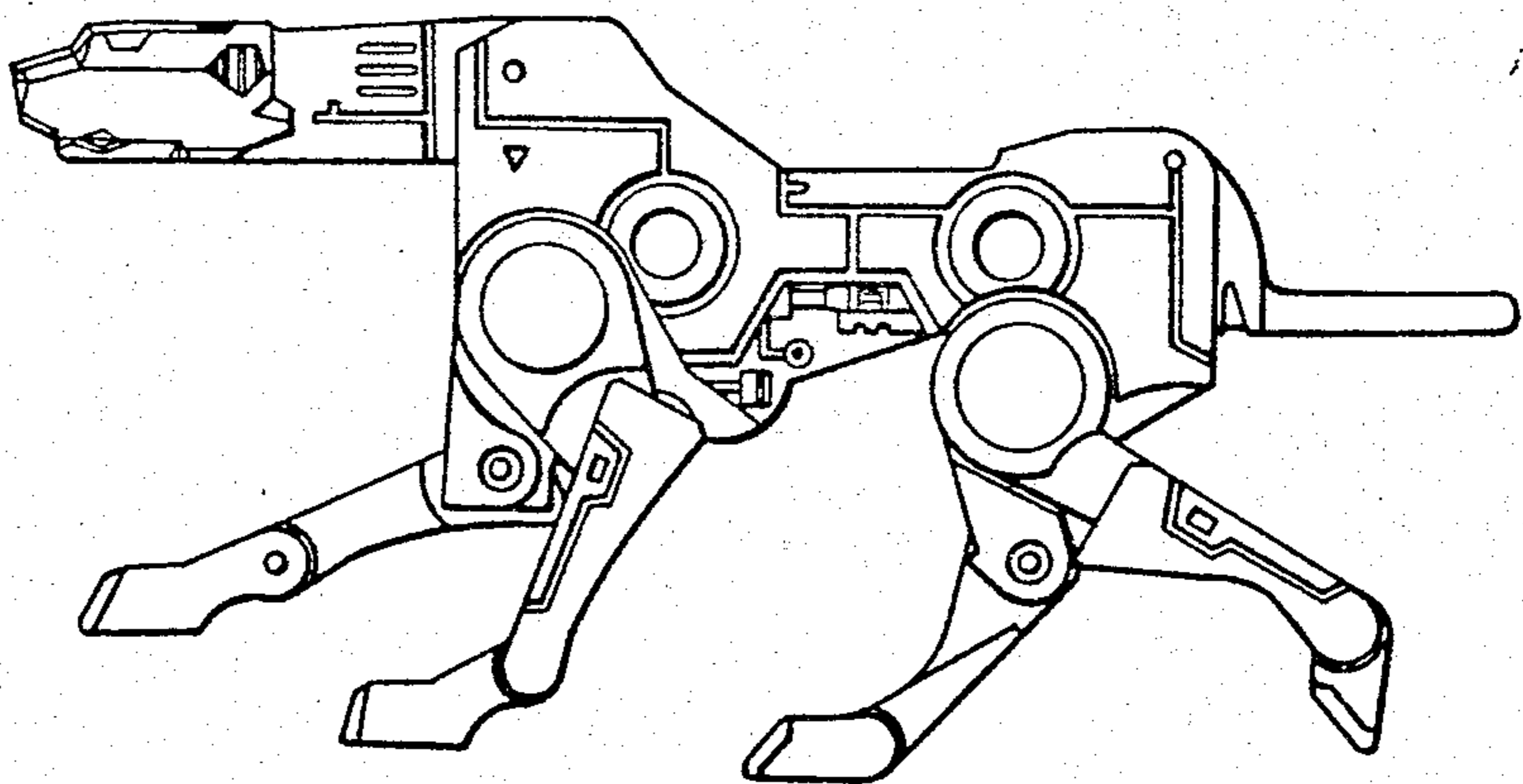


FIG.18

