

[54] COMBINED PESTICIDE AND HERBICIDE HOPPER WITH A DUST AGITATOR

4,059,311 11/1977 Spitzer et al. 222/195
4,282,988 8/1981 Hulber, Jr. 222/462

[76] Inventors: Dan Ariaz, 7575 Tamra Dr., Reno, Nev. 89506; Vance Robison, P.O. Box 2315, Sparks, Nev. 89432

Primary Examiner—B. J. Bullock
Assistant Examiner—Suzanne N. Gitlin
Attorney, Agent, or Firm—Townsend and Townsend

[**] Term: 14 Years

[57] CLAIM

[21] Appl. No.: 460,517

The ornamental design for a combined pesticide and herbicide hopper with a dust agitator, as shown and described.

[22] Filed: Jan. 24, 1983

[52] U.S. Cl. D15/13

[58] Field of Search D15/10, 13, 138;
222/195, 630, 185, 460, 462; D6/542, 545

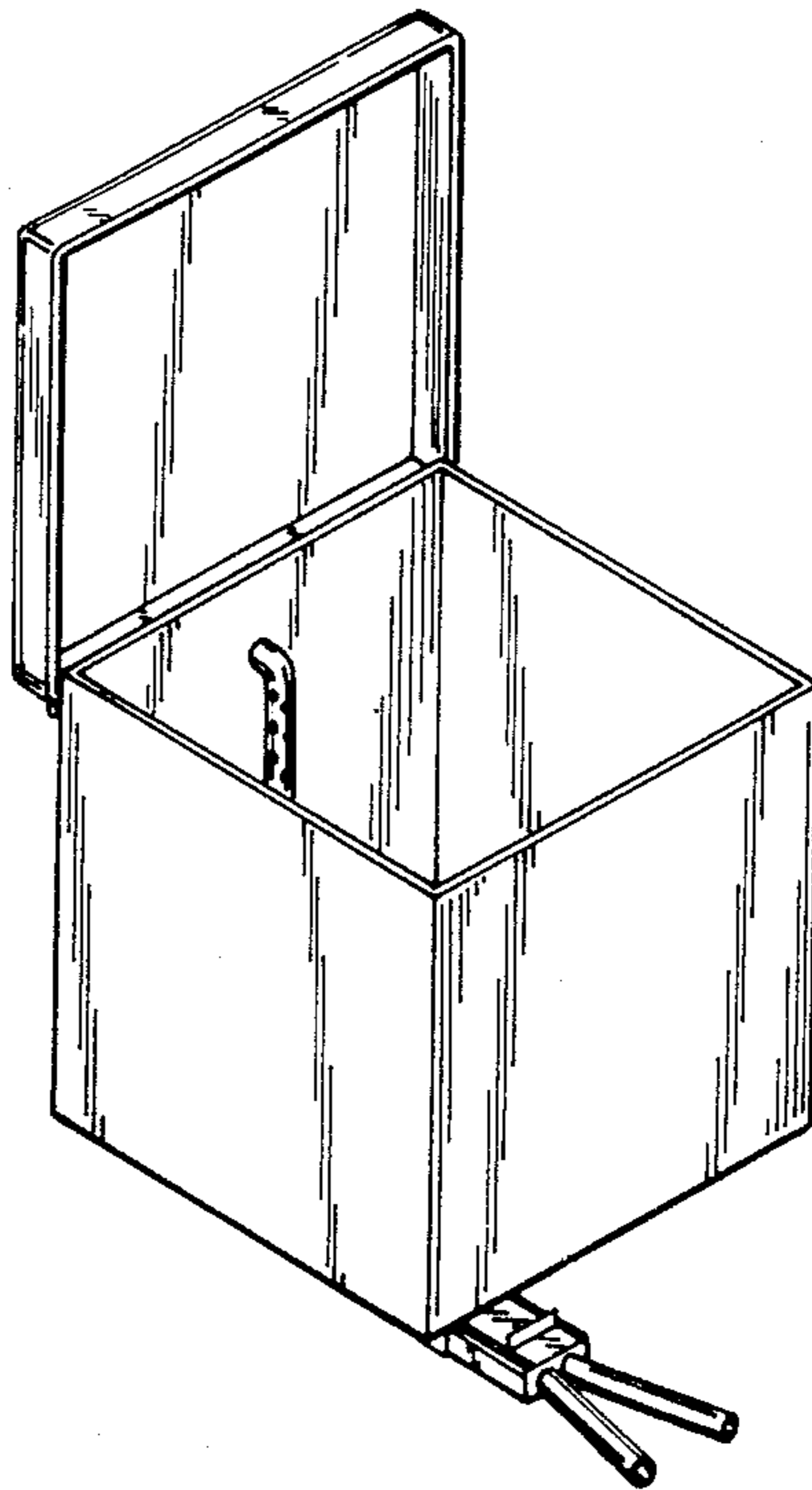
DESCRIPTION

[56] References Cited

U.S. PATENT DOCUMENTS

D. 197,626	3/1964	Buschbam	D15/10
D. 260,651	9/1981	Gibbons	D15/138
3,220,612	11/1965	Thomson	222/462
3,220,612	11/1965	Thomson	222/462
3,917,126	11/1975	Beach	222/195

FIG. 1 is a reduced perspective view of a combined pesticide and herbicide hopper with a dust agitator with the lid in open position showing our new design; FIG. 2 is a top plan view with the lid in closed position; FIG. 3 is a front elevational view of FIG. 2; FIG. 4 is a right side elevational view, the left side being a mirror image thereof; FIG. 5 is a rear elevational view of FIG. 2; FIG. 6 is a bottom plan view of FIG. 2; FIG. 7 is a top plan view with lid in open position.



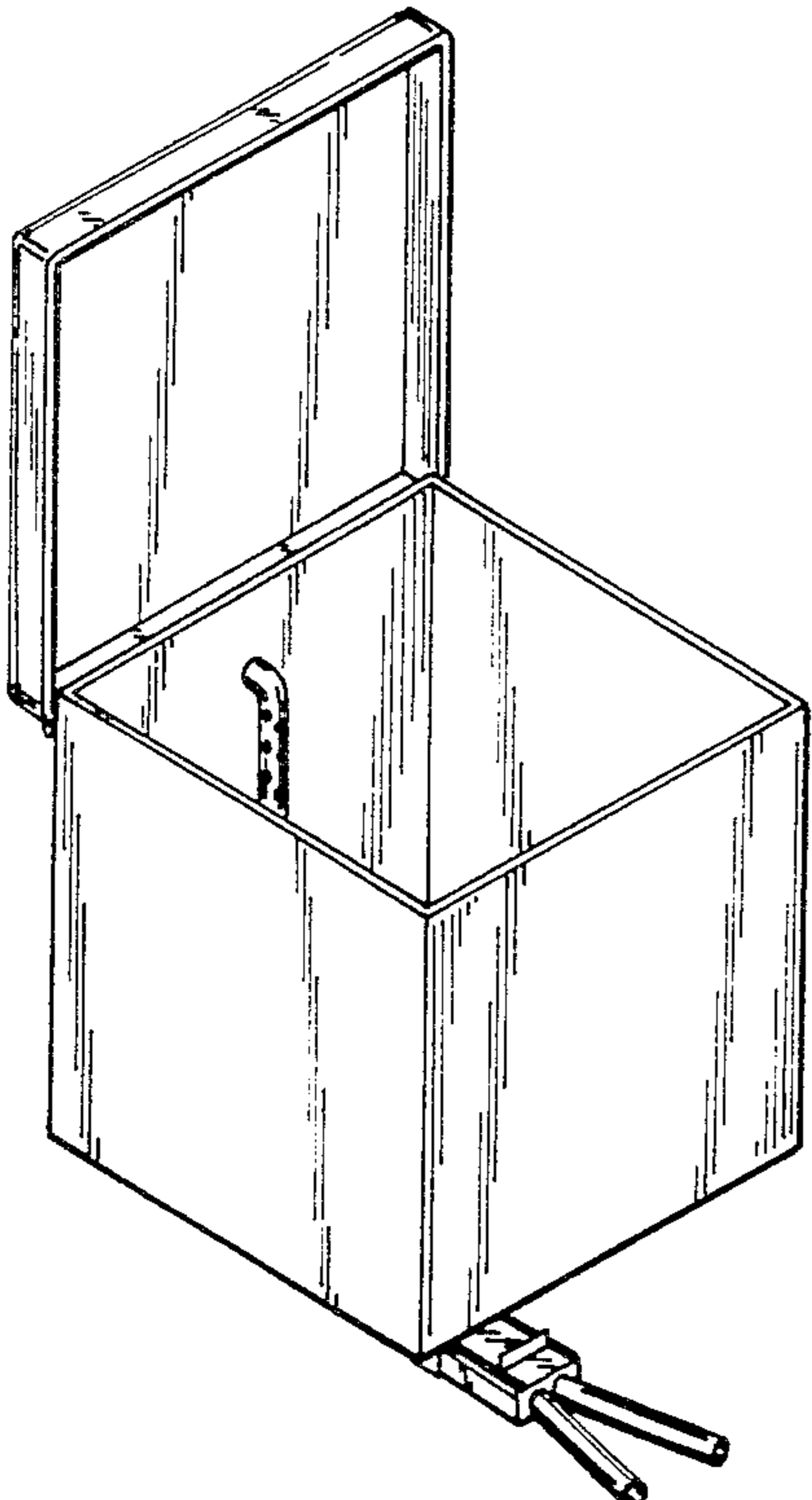


FIG. 1.

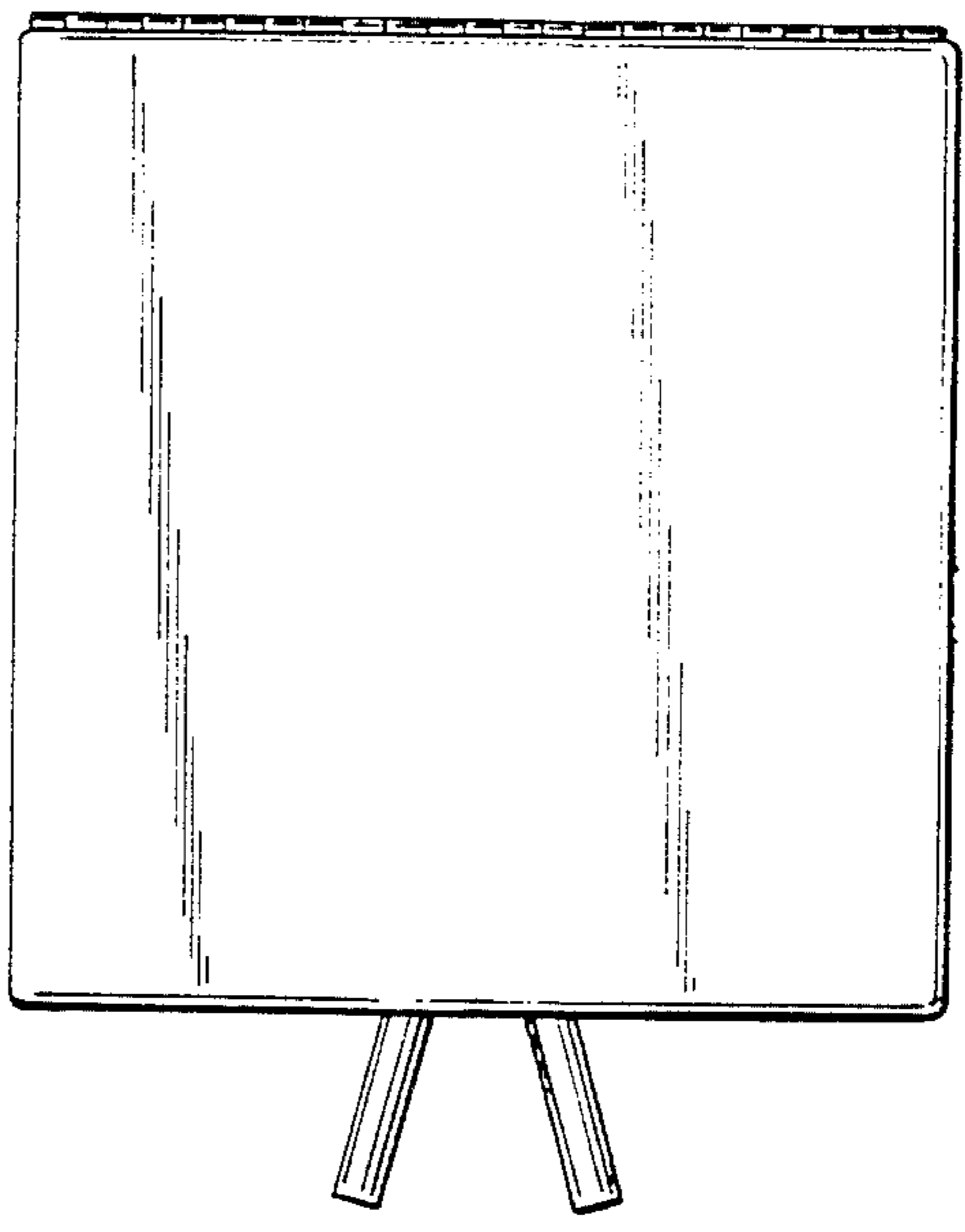


FIG. 2.

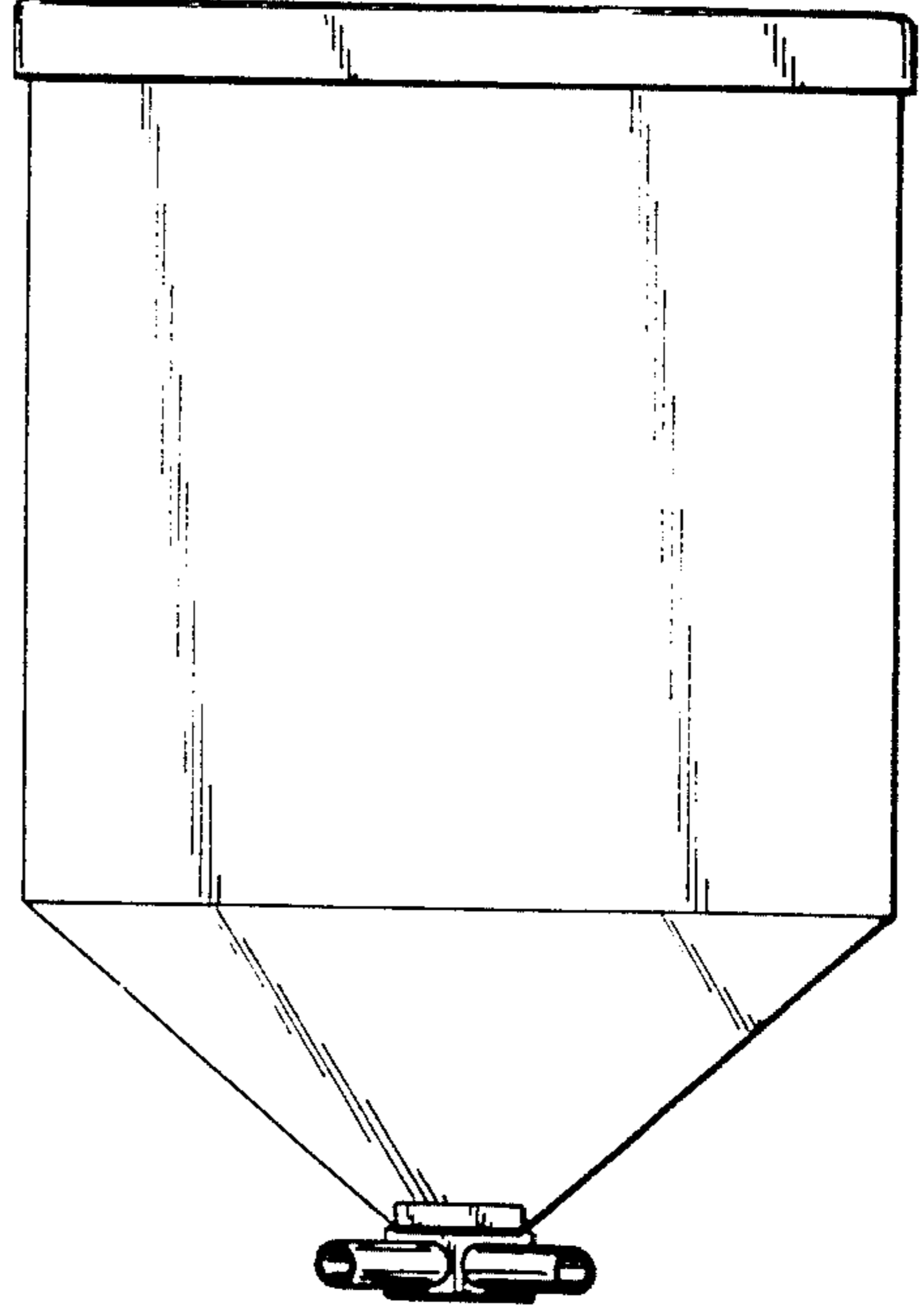


FIG. 3.

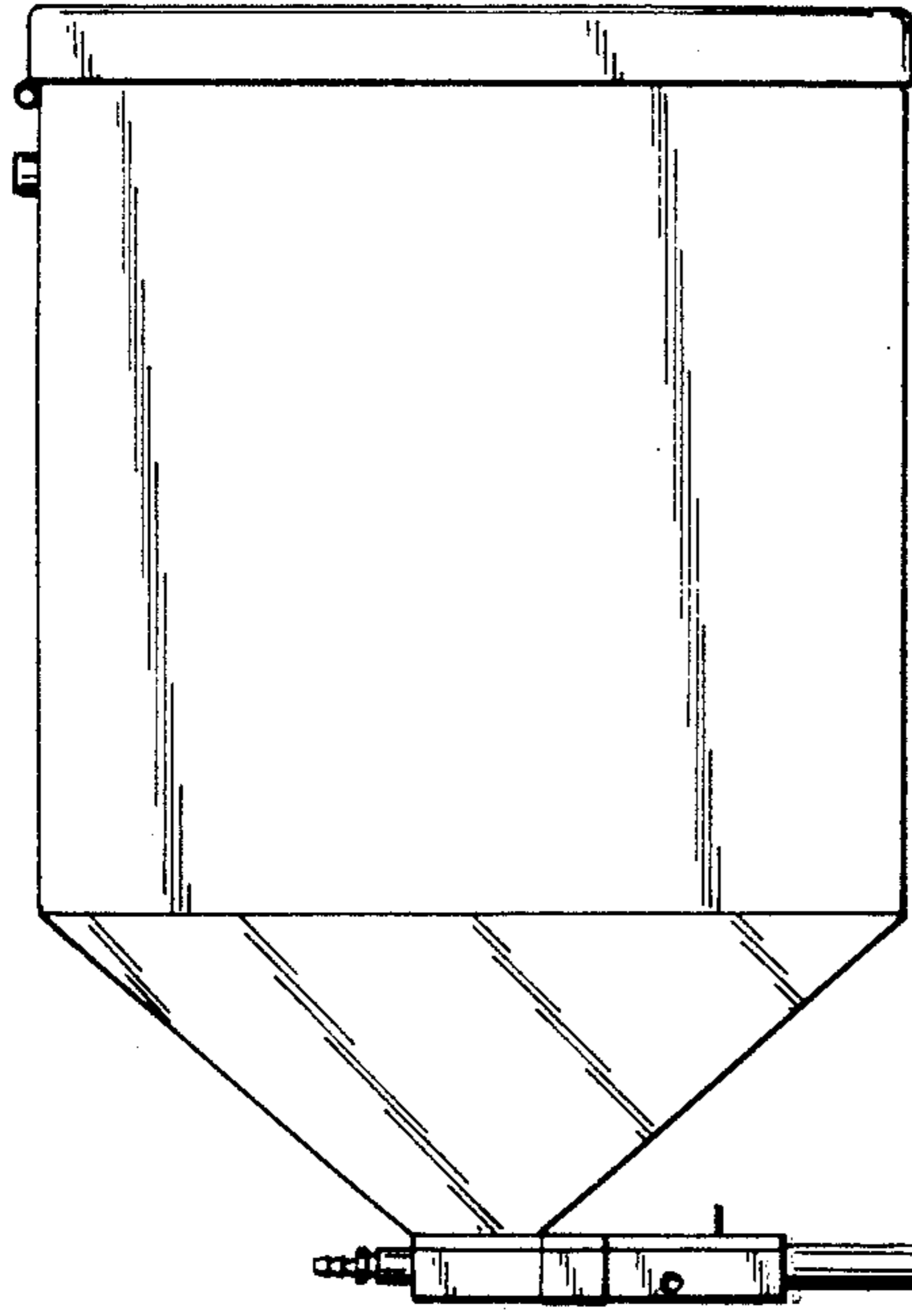


FIG. 4.

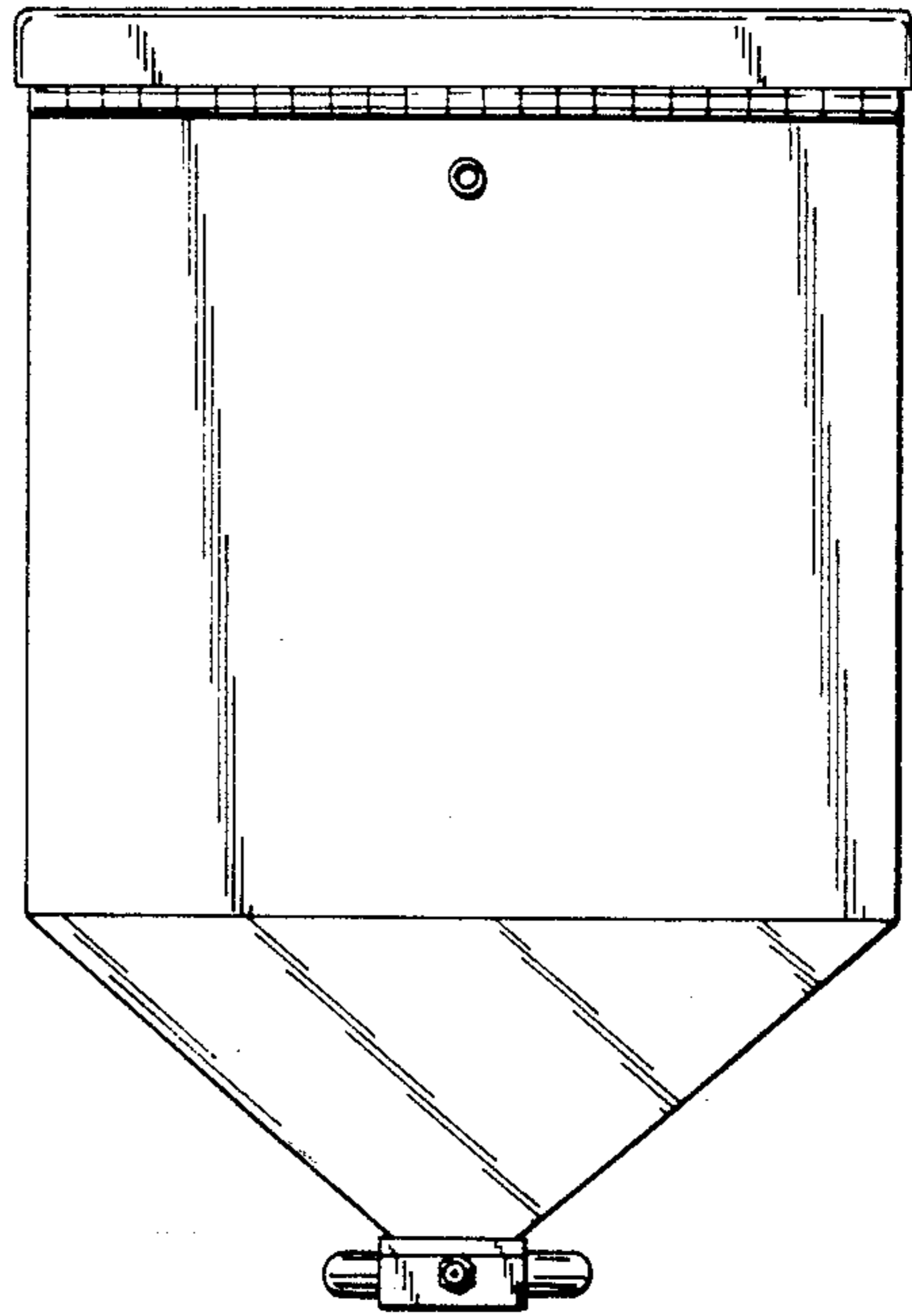


FIG. 5.

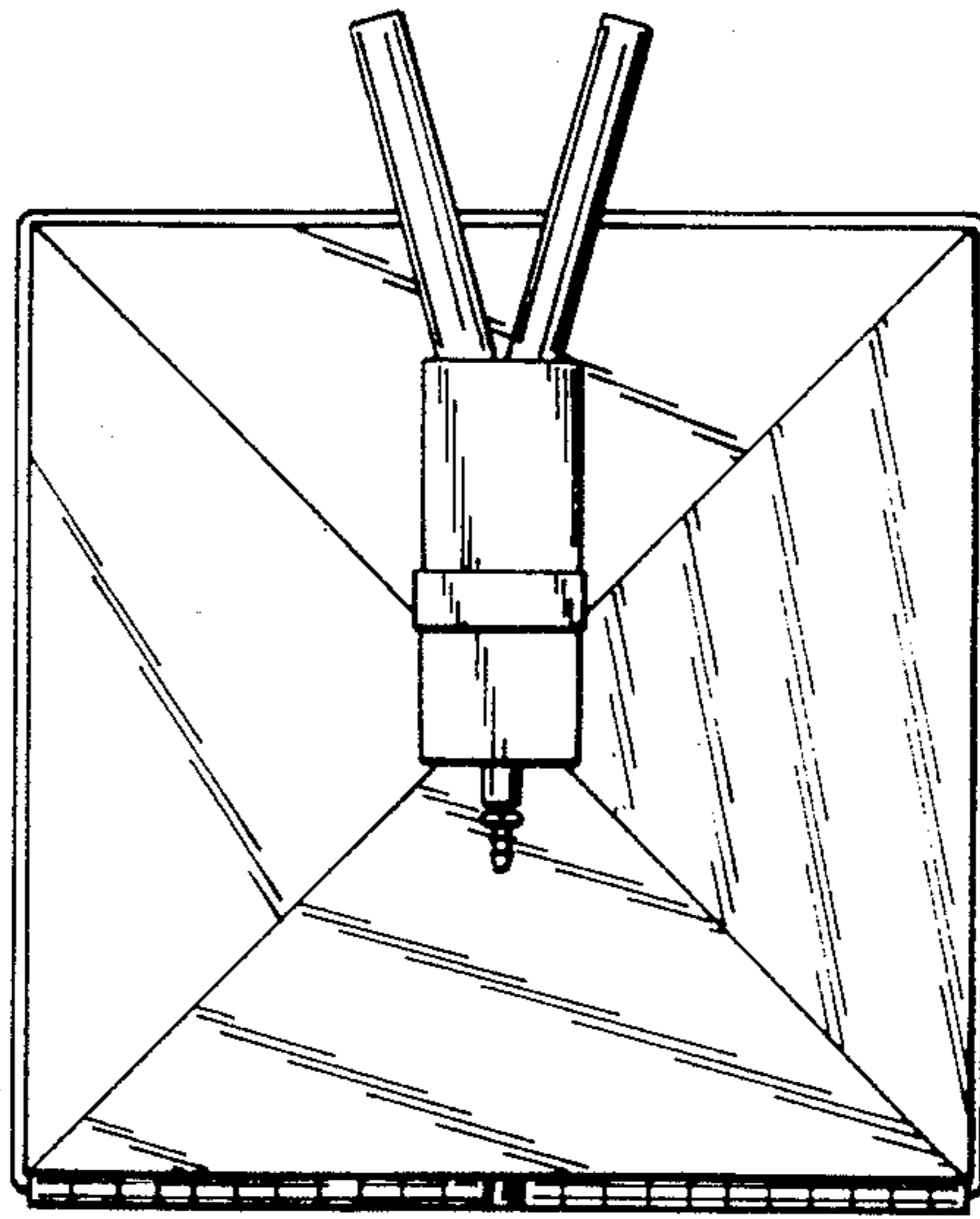


FIG. 6.

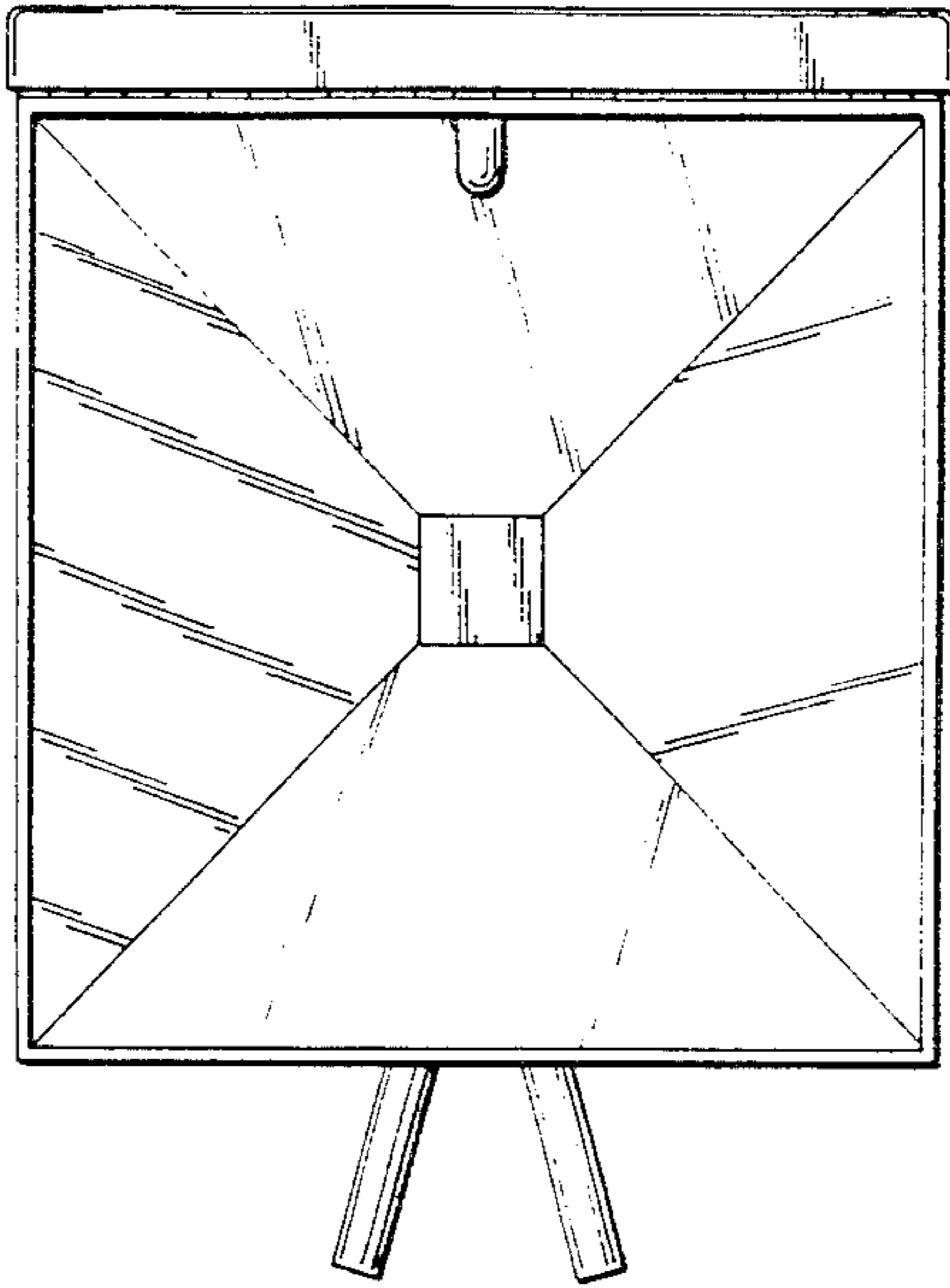


FIG._7.