

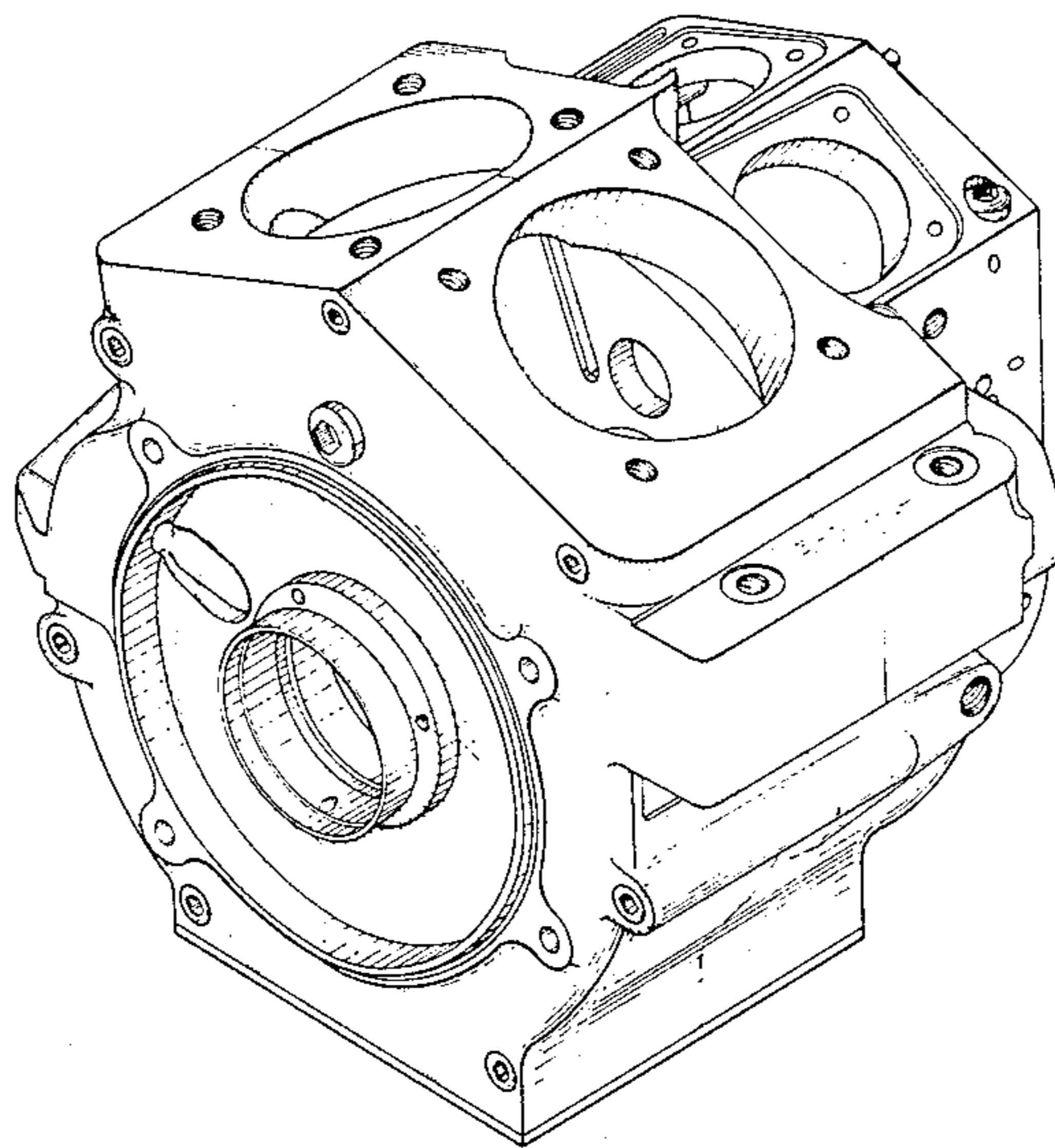
[54] **MOTORCYCLE ENGINE CASE**
[75] **Inventor: Bradley J. Kroninger, Elk Grove, Calif.**
[73] **Assignee: Delkron Manufacturing, Inc., Sacramento, Calif.**
[**] **Term: 14 Years**
[21] **Appl. No.: 509,468**
[22] **Filed: Jun. 30, 1983**
[52] **U.S. Cl. D15/1**
[58] **Field of Search D15/1, 3, 5; D12/110, D12/114**

[56] **References Cited**
U.S. PATENT DOCUMENTS
D. 95,164 4/1935 Weaver et al. D15/1

D. 277,756 2/1985 Davidson D15/1
D. 280,200 8/1985 Iwakura et al. D15/1
Primary Examiner—Wallace R. Burke
Assistant Examiner—Lynn Wilder
Attorney, Agent, or Firm—Lothrop & West

[57] **CLAIM**
The ornamental design for a motorcycle engine case, as shown.

DESCRIPTION
FIG. 1 is a front right perspective view of a motorcycle engine case, showing my new design;
FIG. 2 is a front elevational view thereof;
FIG. 3 is a rear elevational view thereof;
FIG. 4 is a left side elevational view thereof;
FIG. 5 is a right side elevational view thereof;
FIG. 6 is a top plan view thereof; and,
FIG. 7 is a bottom plan view thereof.



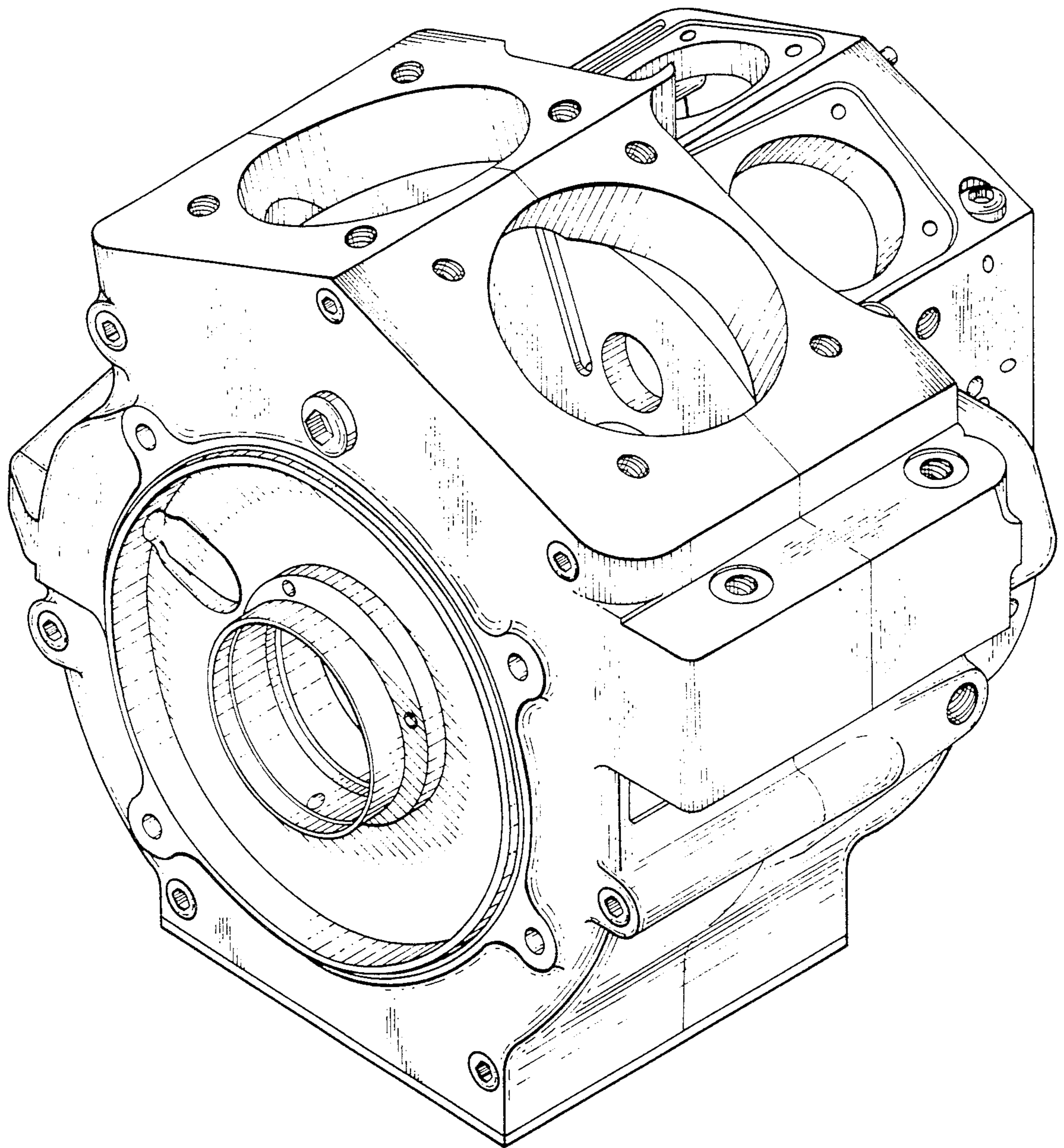


FIG. 1.

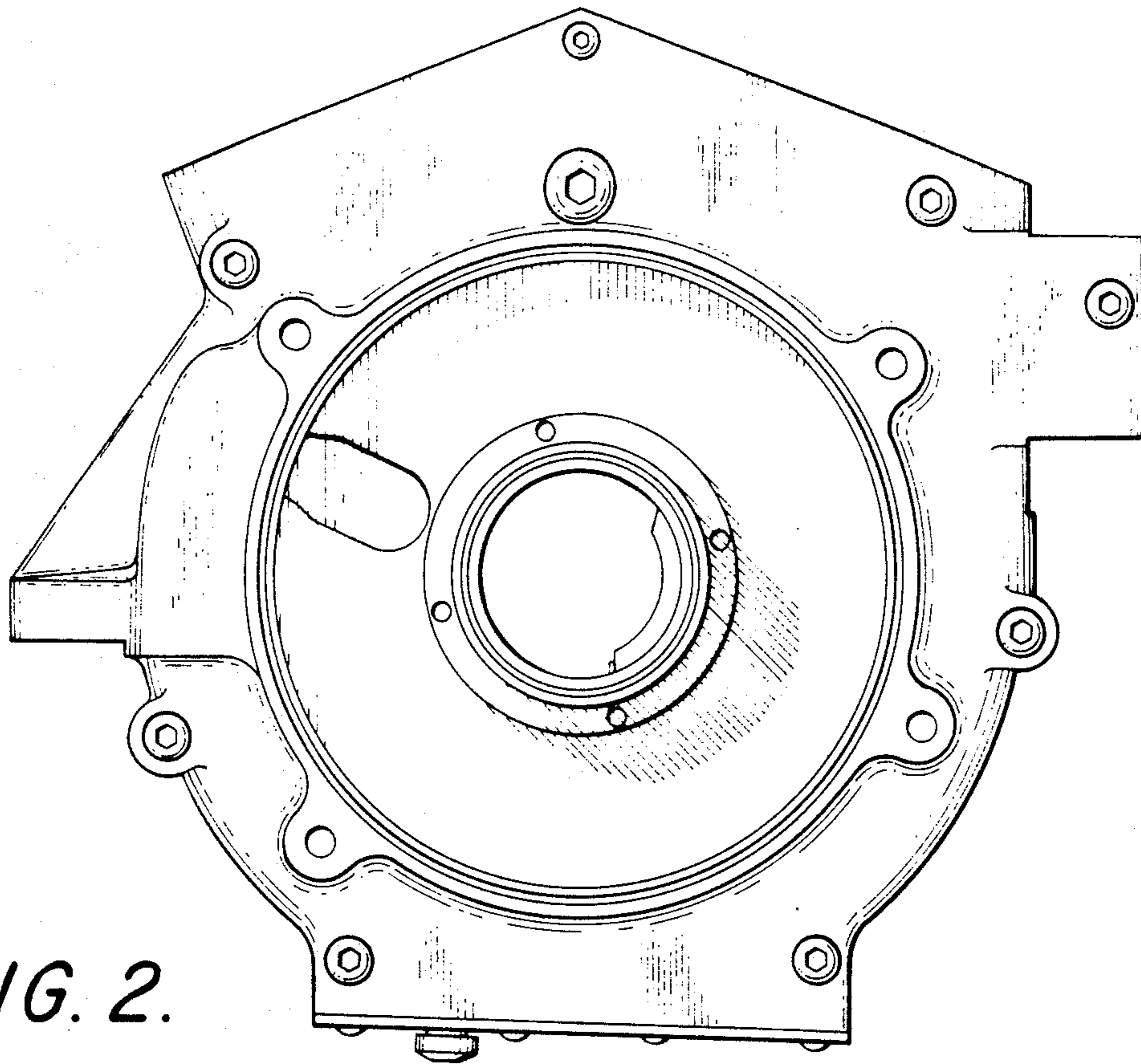


FIG. 2.

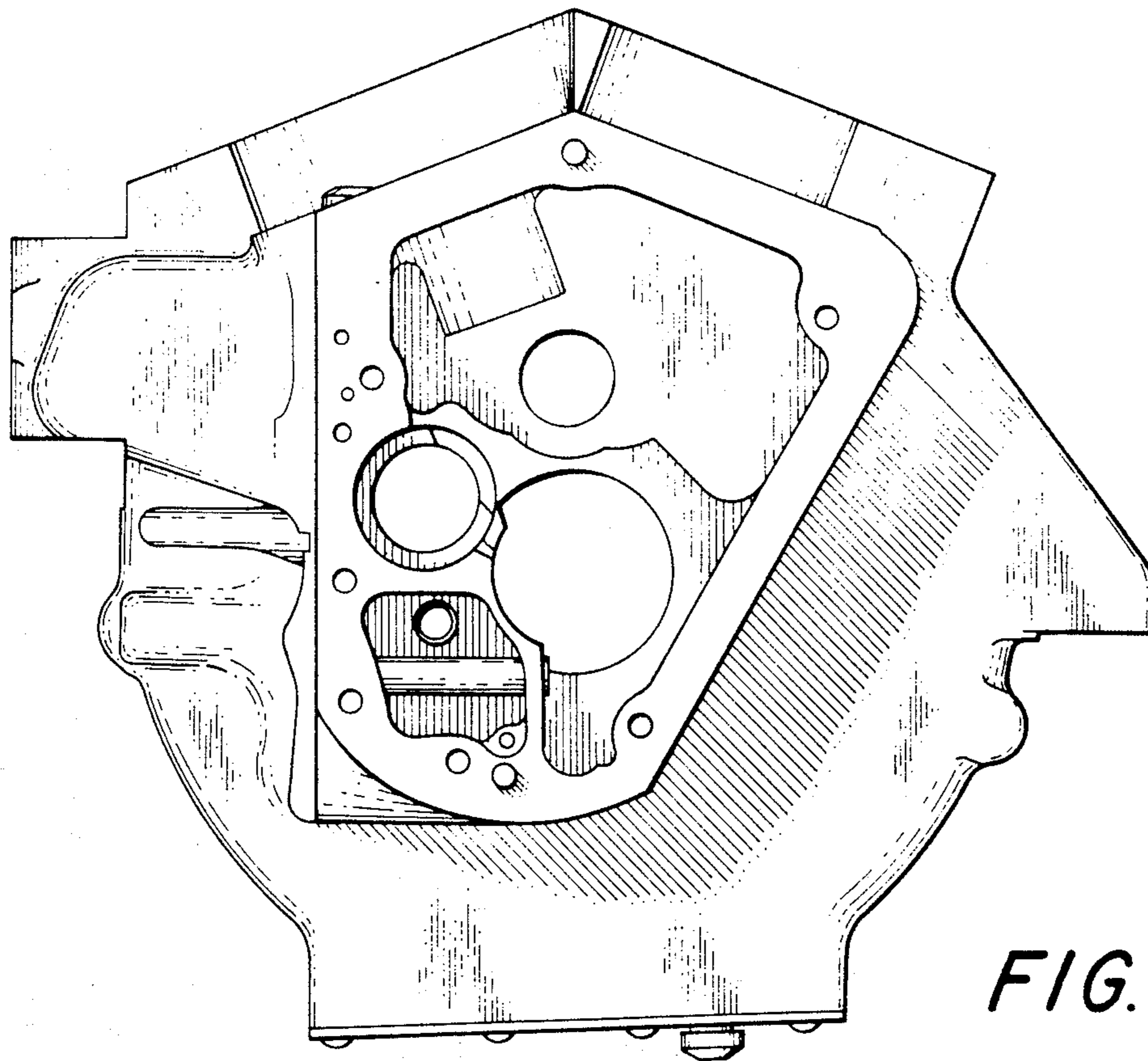


FIG. 3.

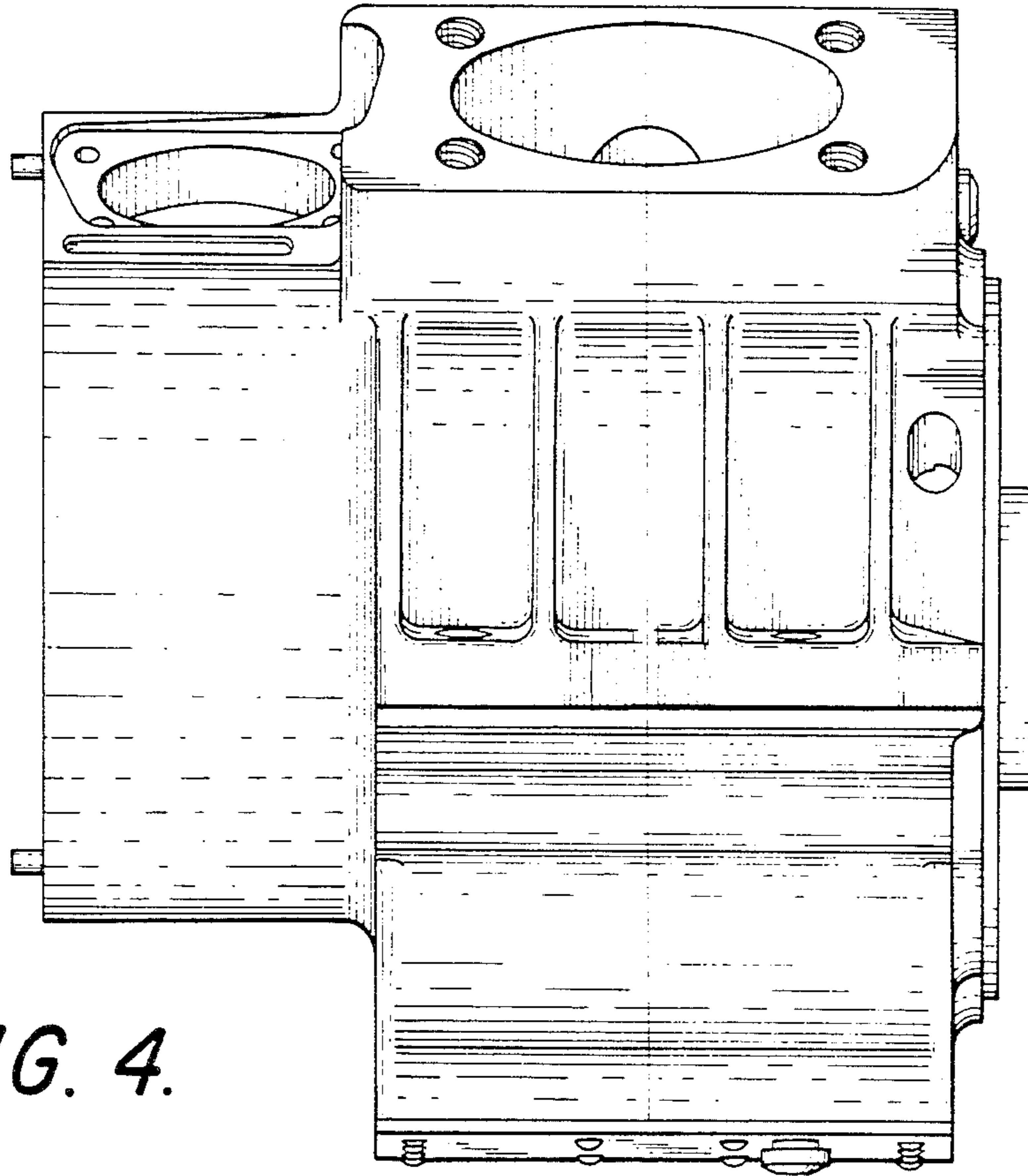


FIG. 4.

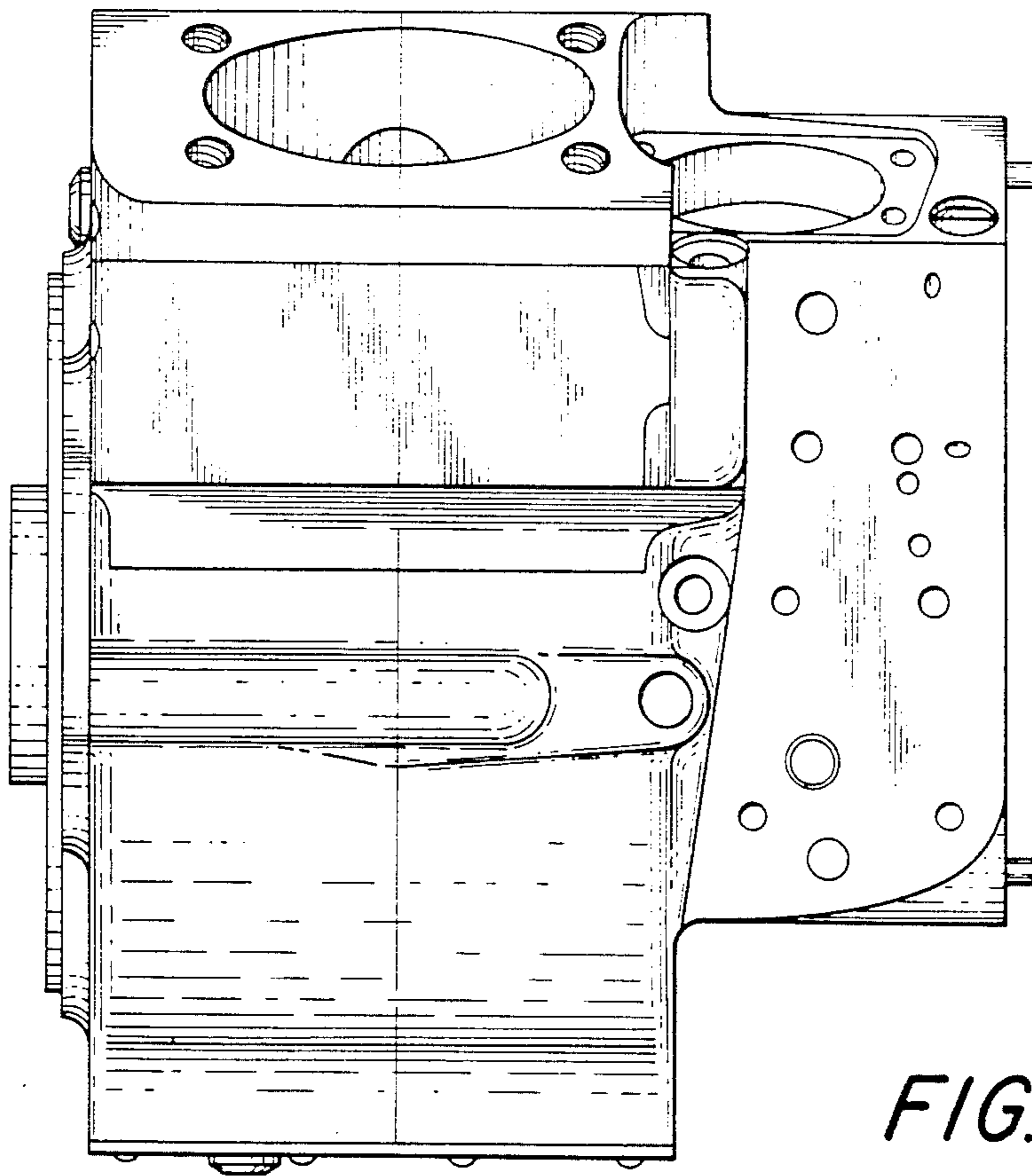


FIG. 5.

