

[54] **COMPUTER KEYBOARD ADAPTOR**

[76] **Inventor: Darold B. Cummings**, 808 McCarthy Ct., El Segundo, Calif. 90245

[\*\*] **Term: 14 Years**

[21] **Appl. No.: 580,373**

[22] **Filed: Feb. 15, 1984**

[52] **U.S. Cl. .... D14/114; D13/32**

[58] **Field of Search .... D14/100, 106, 107, 114, D14/115; 340/365 R, 700, 706; 235/145 R; 273/148 B; D13/32, 38; 400/473, 474, 479; D18/12; D17/1, 69**

[56] **References Cited**

**U.S. PATENT DOCUMENTS**

4,441,833 4/1984 Hasenbalg ..... 400/473 X

**OTHER PUBLICATIONS**

Computer Music Journal, Winter 1980, p. 87, E-Mu Systems Inc. Keyboard.  
Technology Illustrated, Oct./Nov. 1982, p. 13, Music Processor Keyboard.

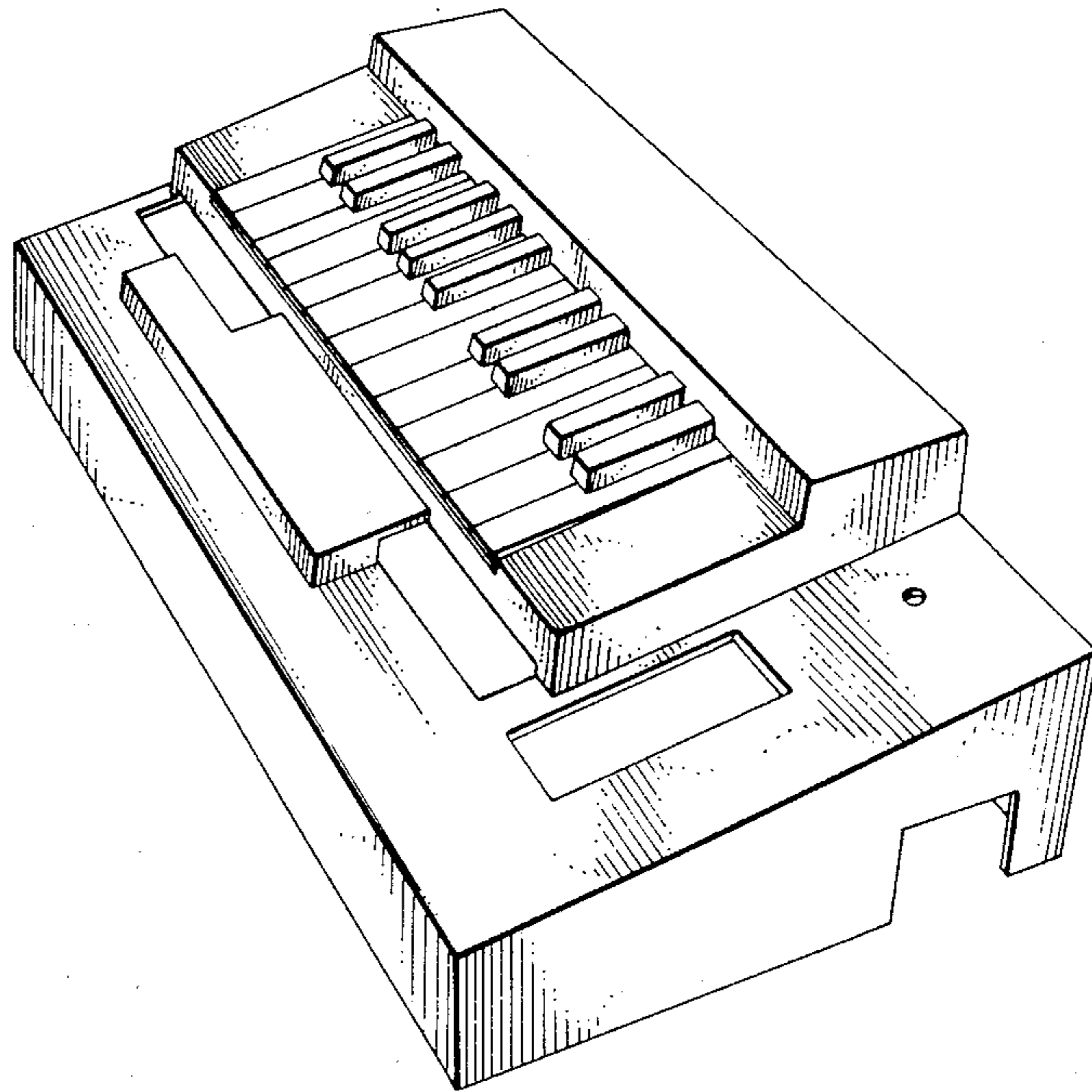
*Primary Examiner*—Susan J. Lucas  
*Attorney, Agent, or Firm*—Charles T. Silberberg

[57] **CLAIM**

The ornamental design for a computer keyboard adaptor, substantially as shown and described.

**DESCRIPTION**

FIG. 1 is a front, top, and right side perspective view of a computer keyboard adaptor showing my new design; FIG. 2 is a top plan view thereof; FIG. 3 is a front elevational view thereof; FIG. 4 is a rear elevational view thereof; FIG. 5 is a right side elevational view thereof; FIG. 6 is a left side elevational view thereof; and FIG. 7 is a bottom plan view thereof.



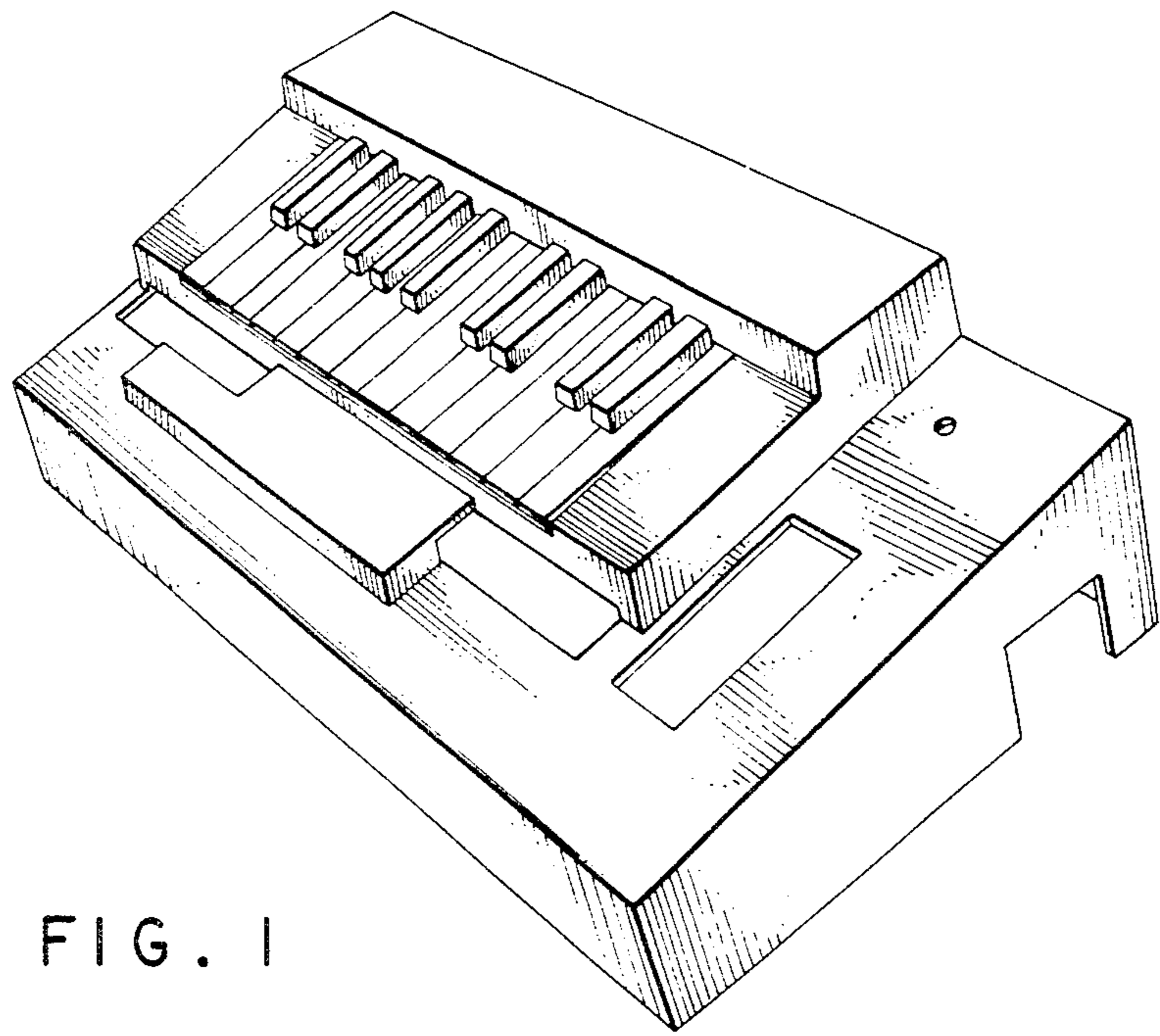


FIG. 1

FIG. 2

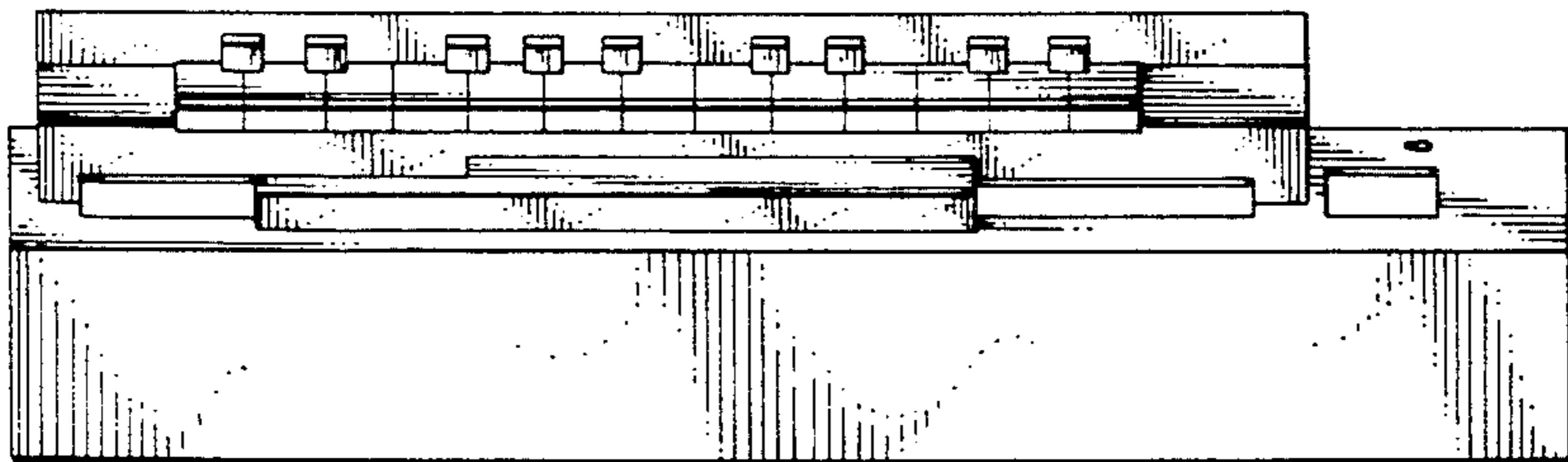
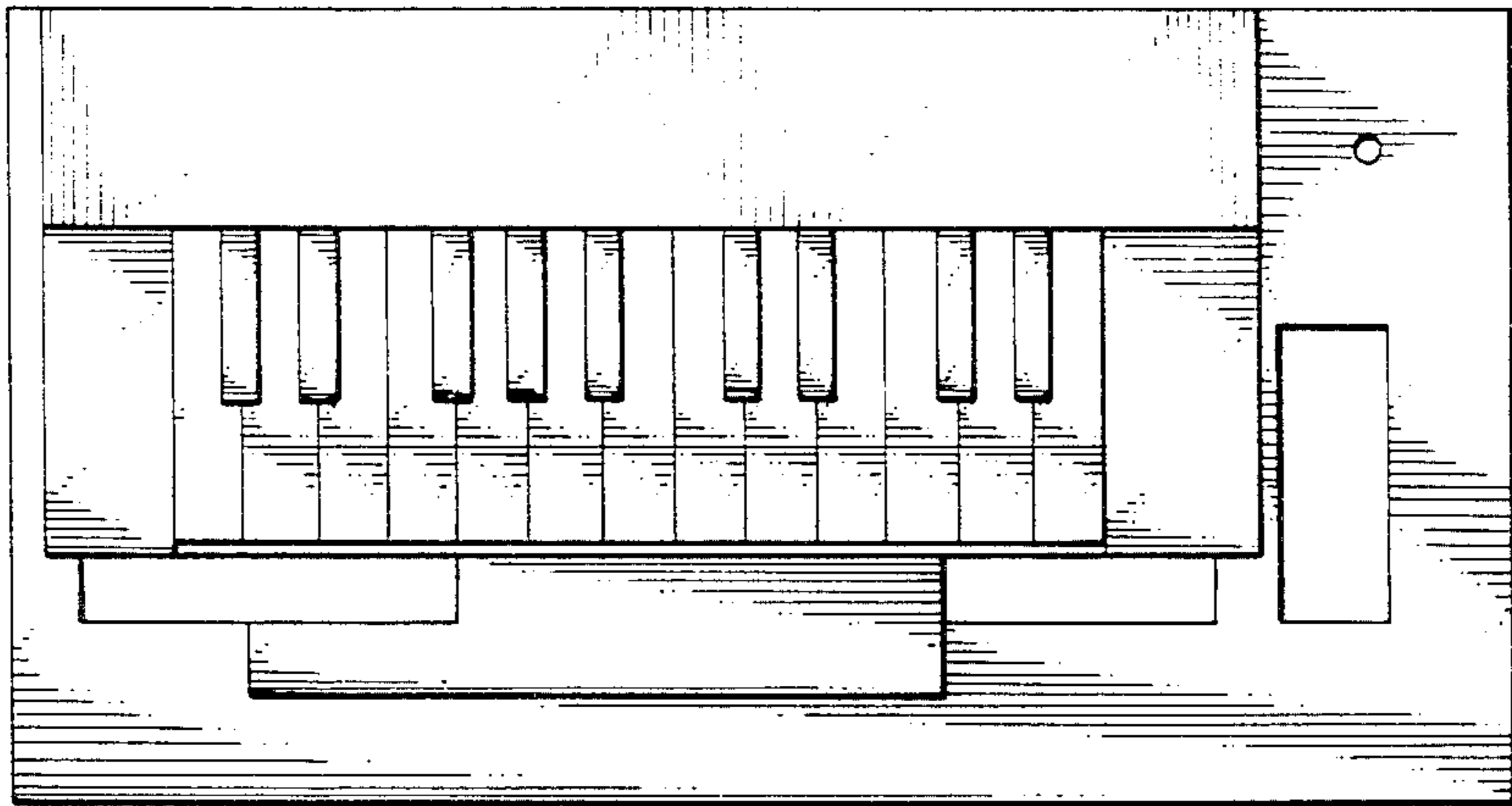


FIG. 3

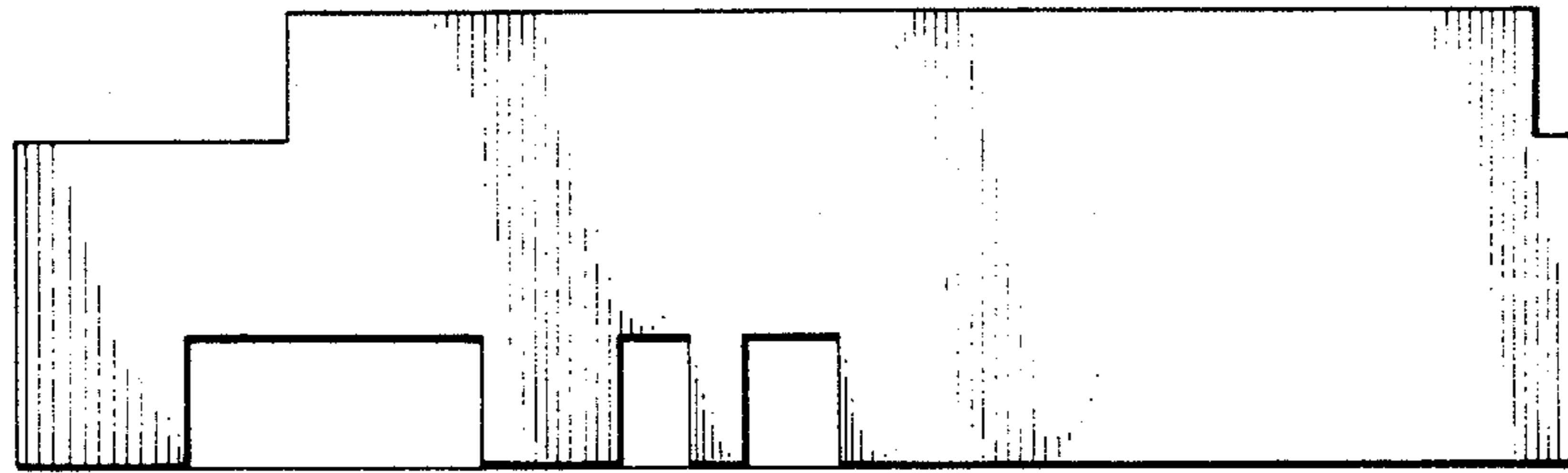


FIG. 4

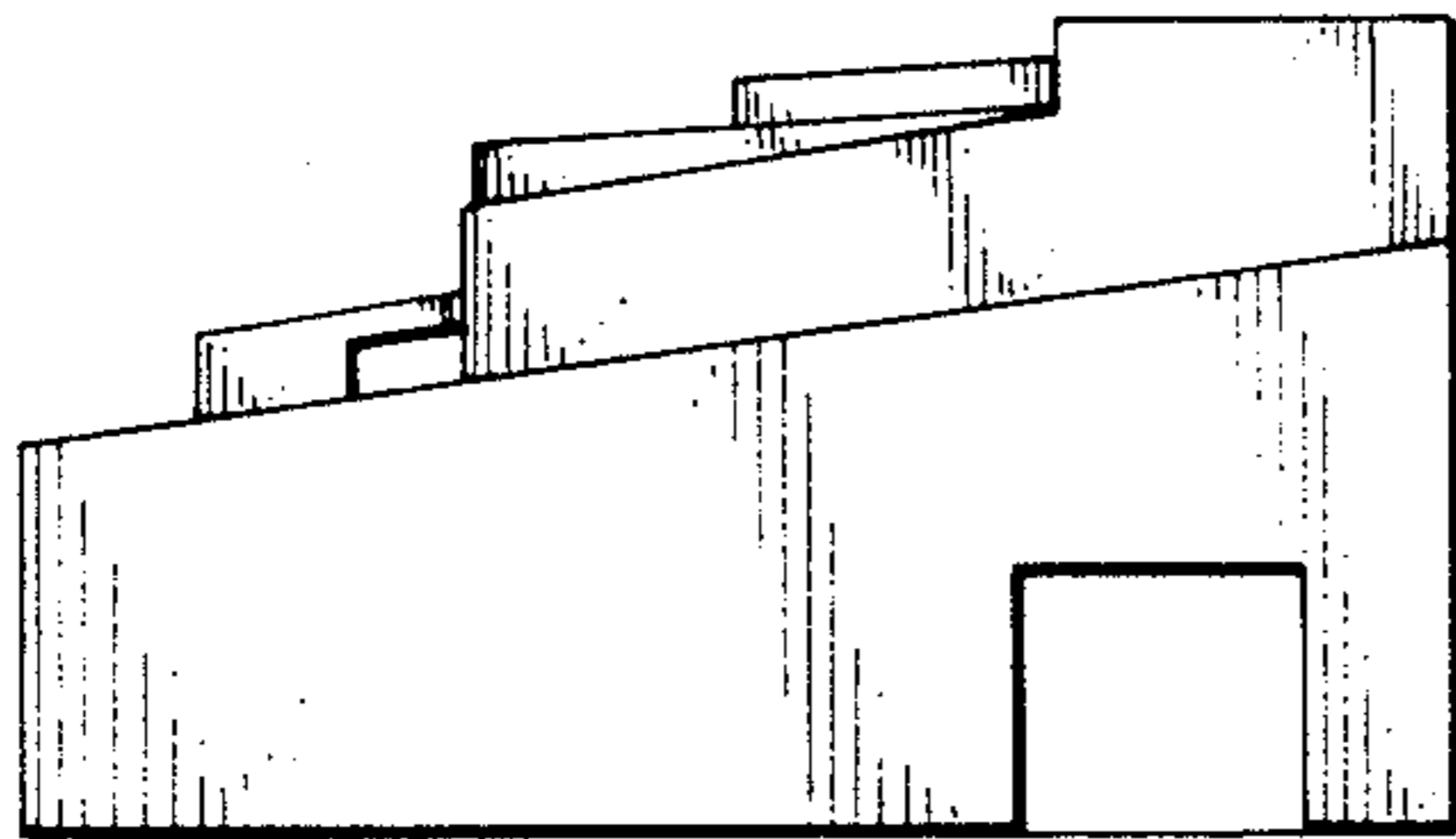


FIG. 5

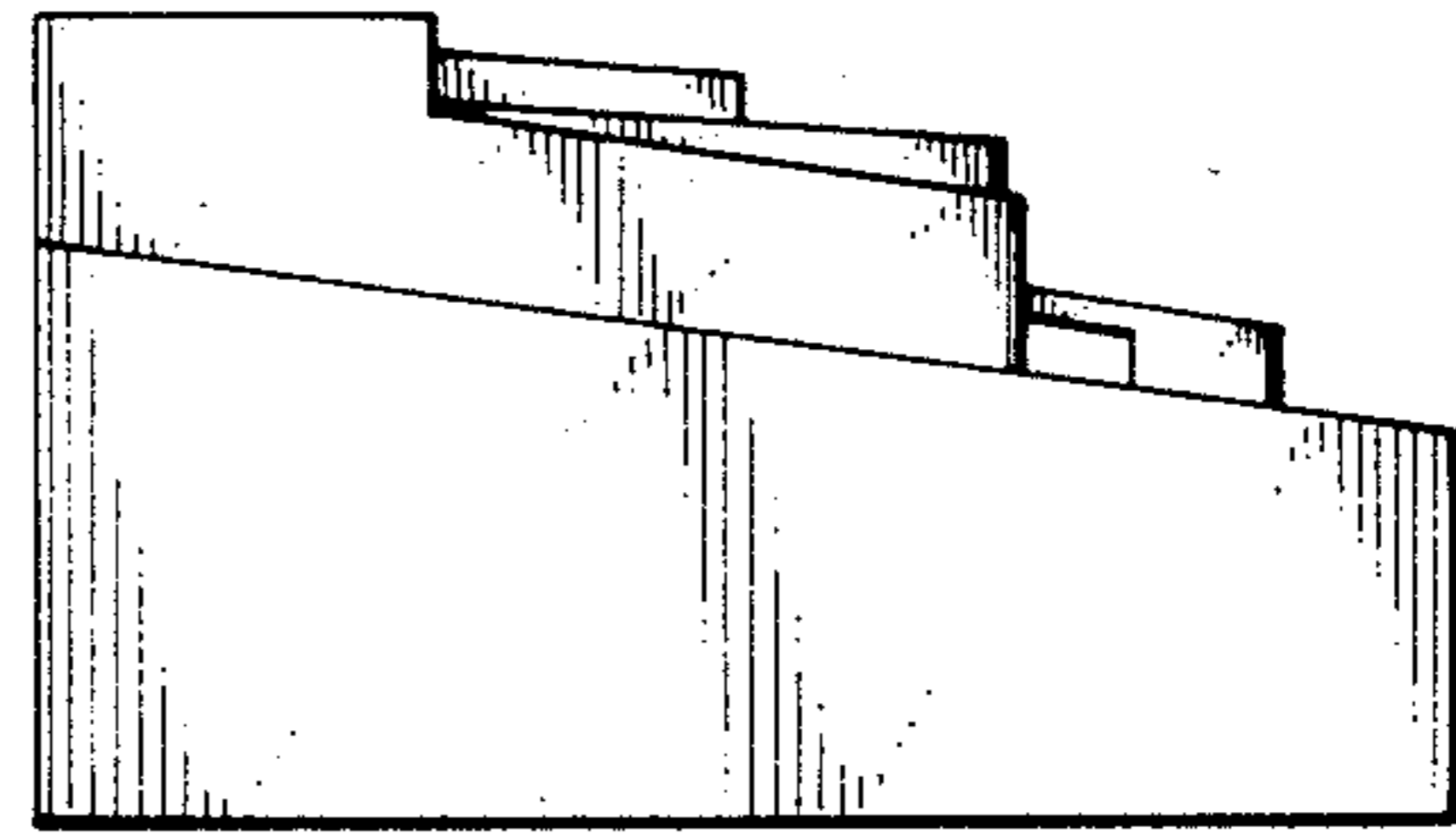


FIG. 6

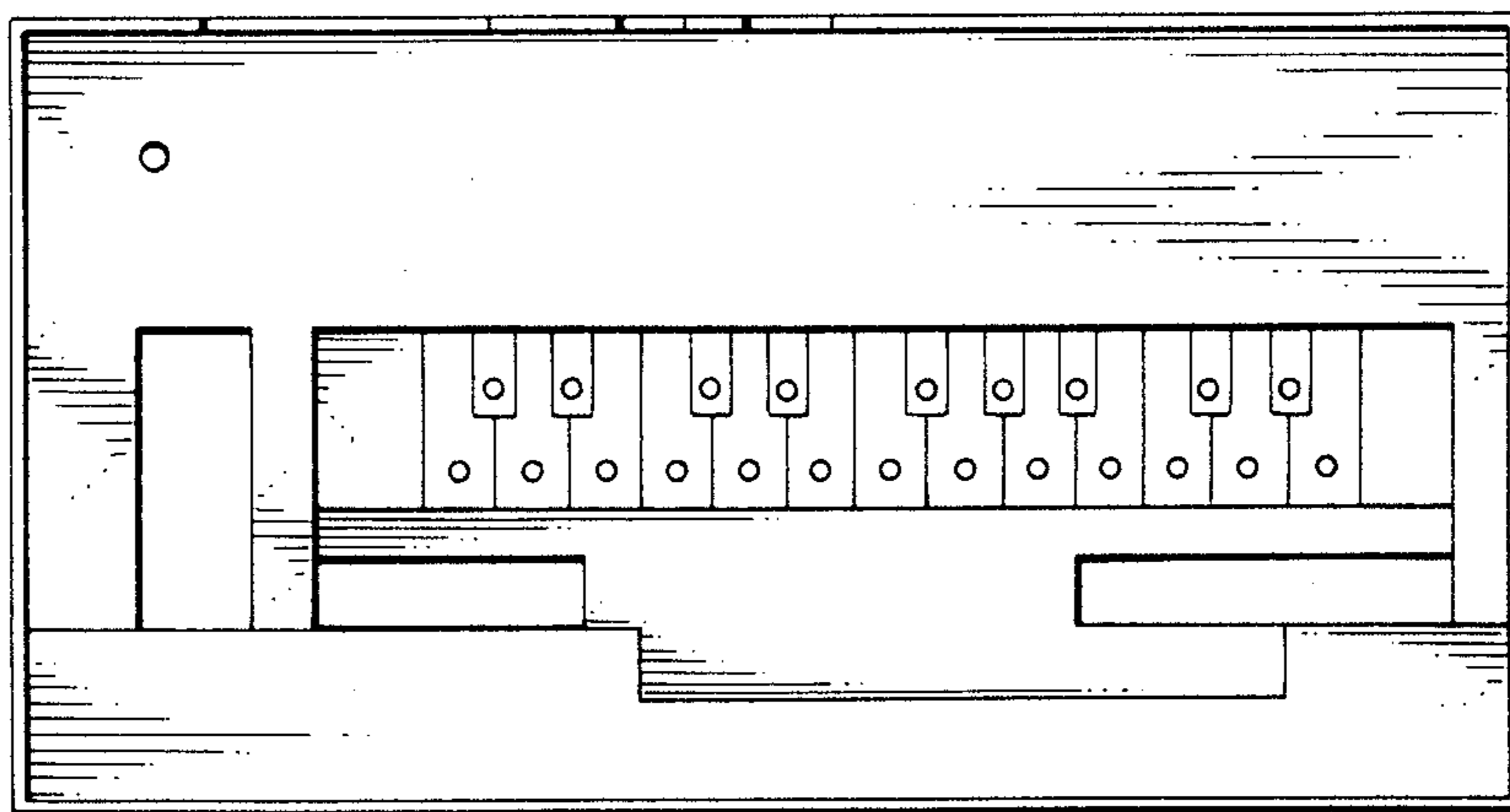


FIG. 7