

[54] VOLTAGE SURGE PROTECTOR OR THE LIKE

[75] Inventor: Julius F. Tibolla, Yardley, Pa.

[73] Assignee: Challenger Circle F Inc., Trenton, N.J.

[**] Term: 14 Years

[21] Appl. No.: 538,623

[22] Filed: Oct. 3, 1983

[52] U.S. Cl. D13/11; D13/28

[58] Field of Search D13/11-13, D13/23, 24, 28-31; 361/54, 55

[56] References Cited

U.S. PATENT DOCUMENTS

258,429	3/1981	Buckler	D13/28
3,452,252	6/1969	Mapham	361/55
4,071,872	1/1978	Phillips, Jr.	361/55

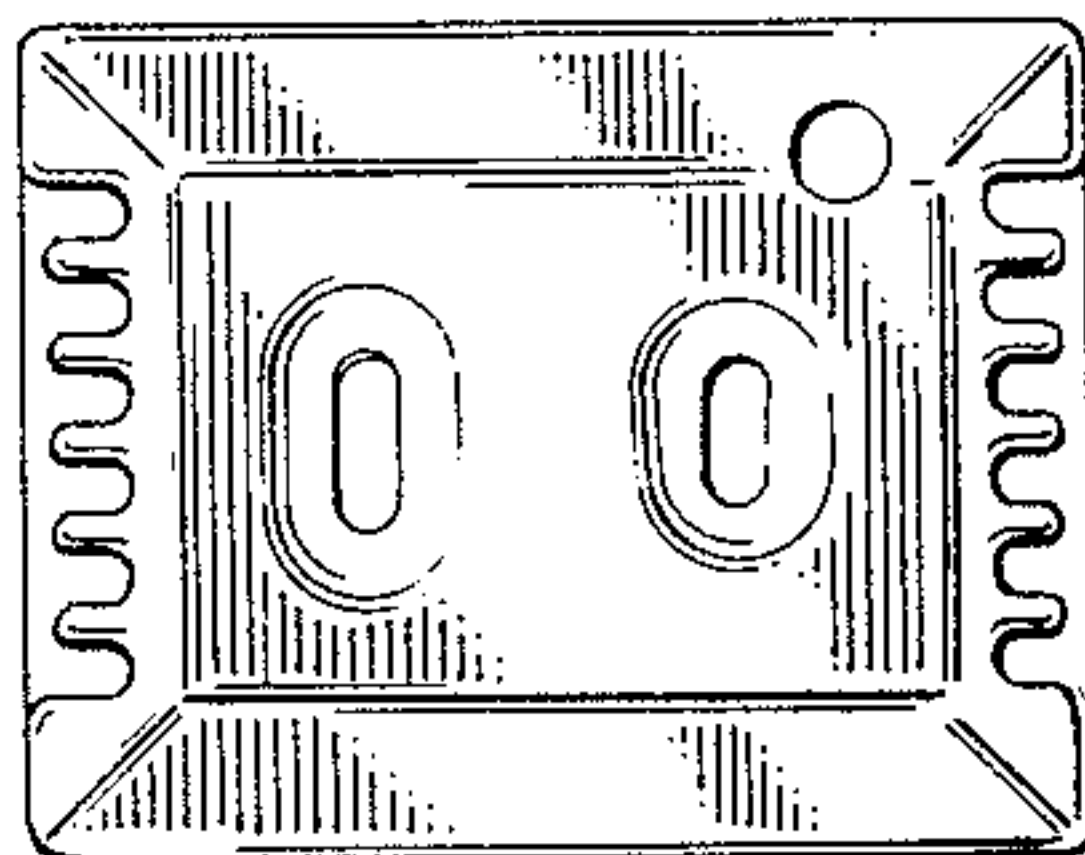
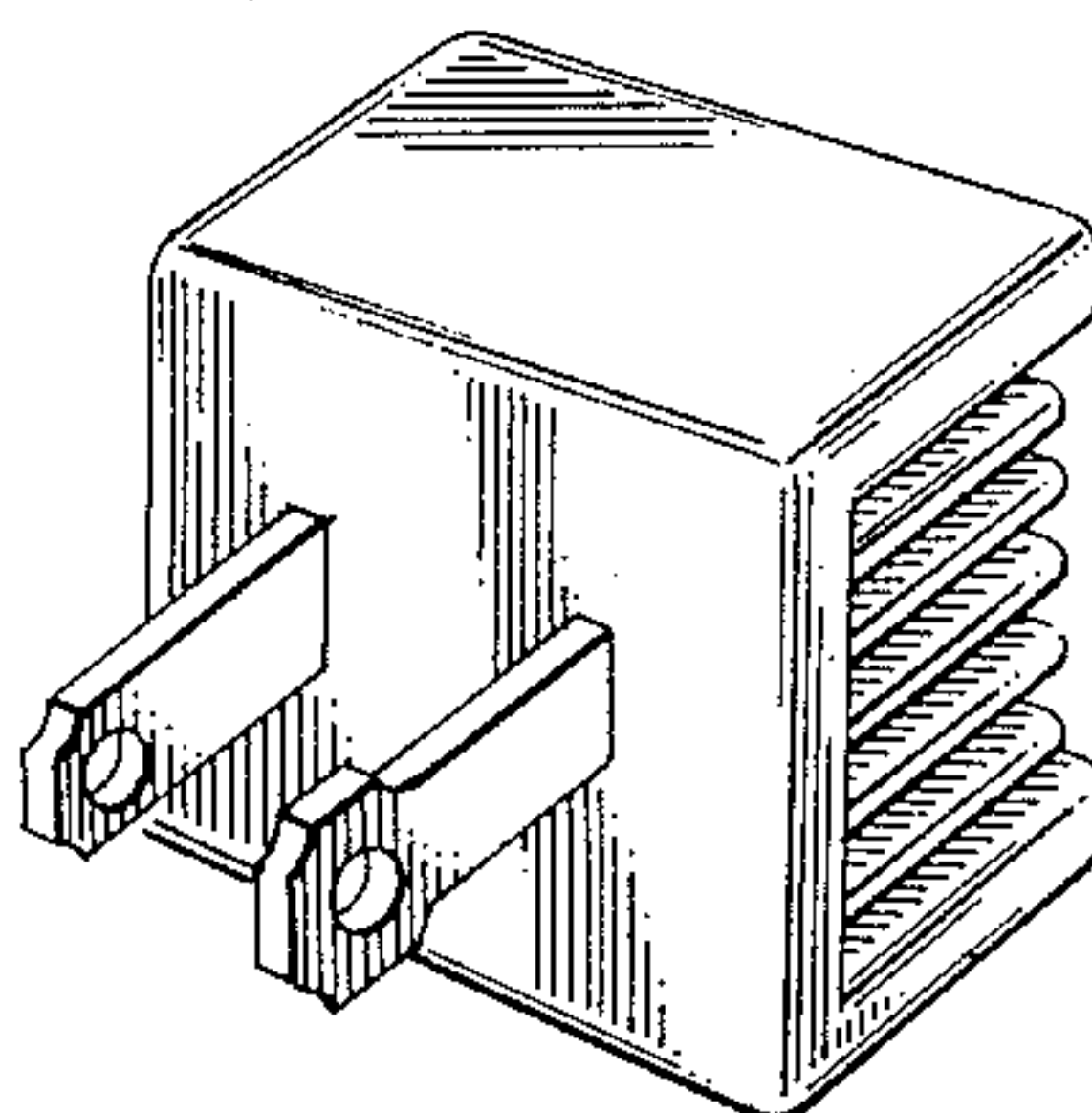
Primary Examiner—Wallace R. Burke
Assistant Examiner—Ruth Takemoto
Attorney, Agent, or Firm—Sperry, Zoda & Kane

[57] CLAIM

The ornamental design for a voltage surge protector or the like, substantially as shown and described.

DESCRIPTION

FIG. 1 is a front perspective view of a voltage surge protector or the like showing my new design;
FIG. 2 is a top plan view thereof;
FIG. 3 is a rear elevational view thereof;
FIG. 4 is a left side elevational view thereof; and
FIG. 5 is a front elevational view thereof.



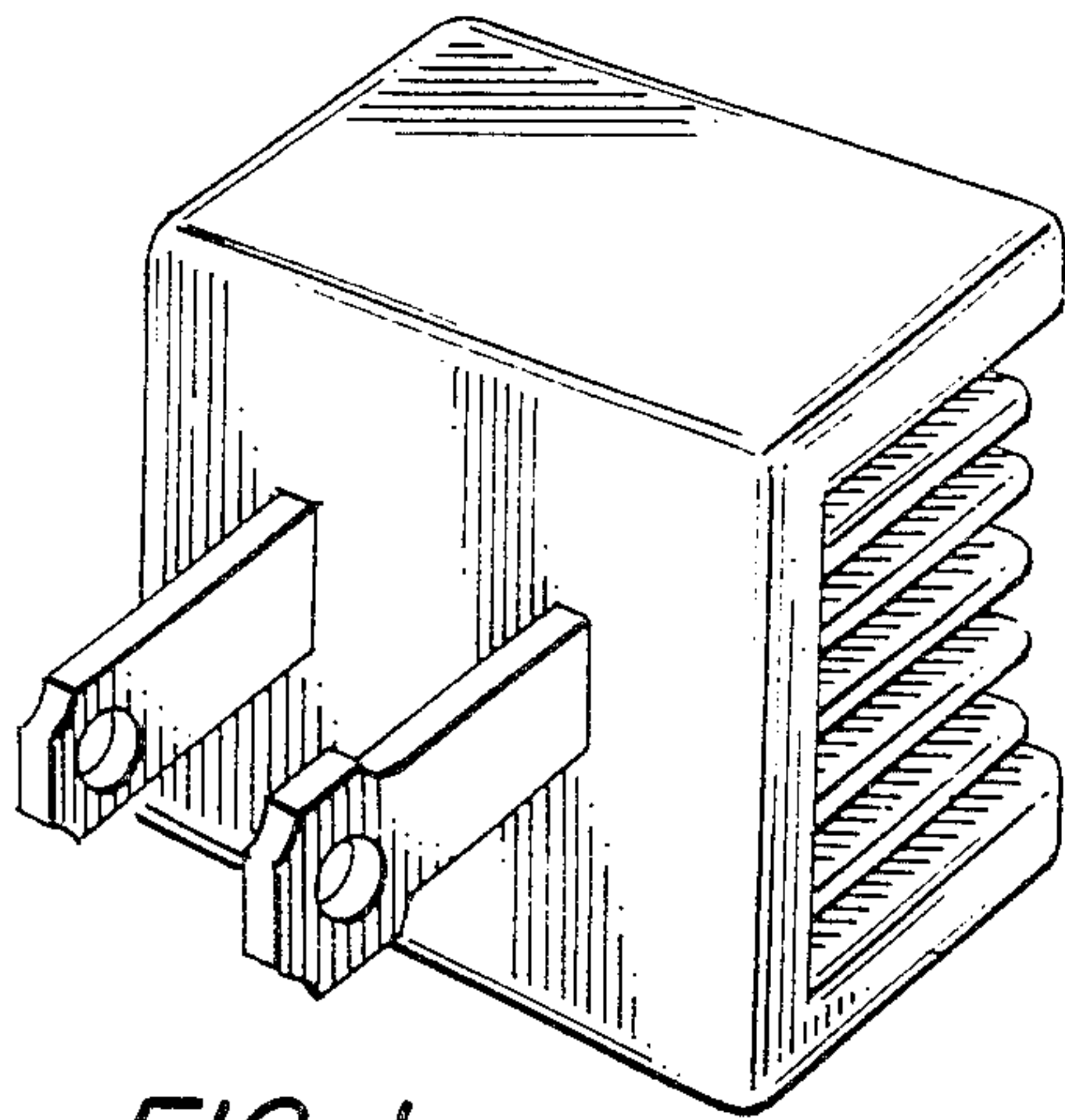


FIG. 1

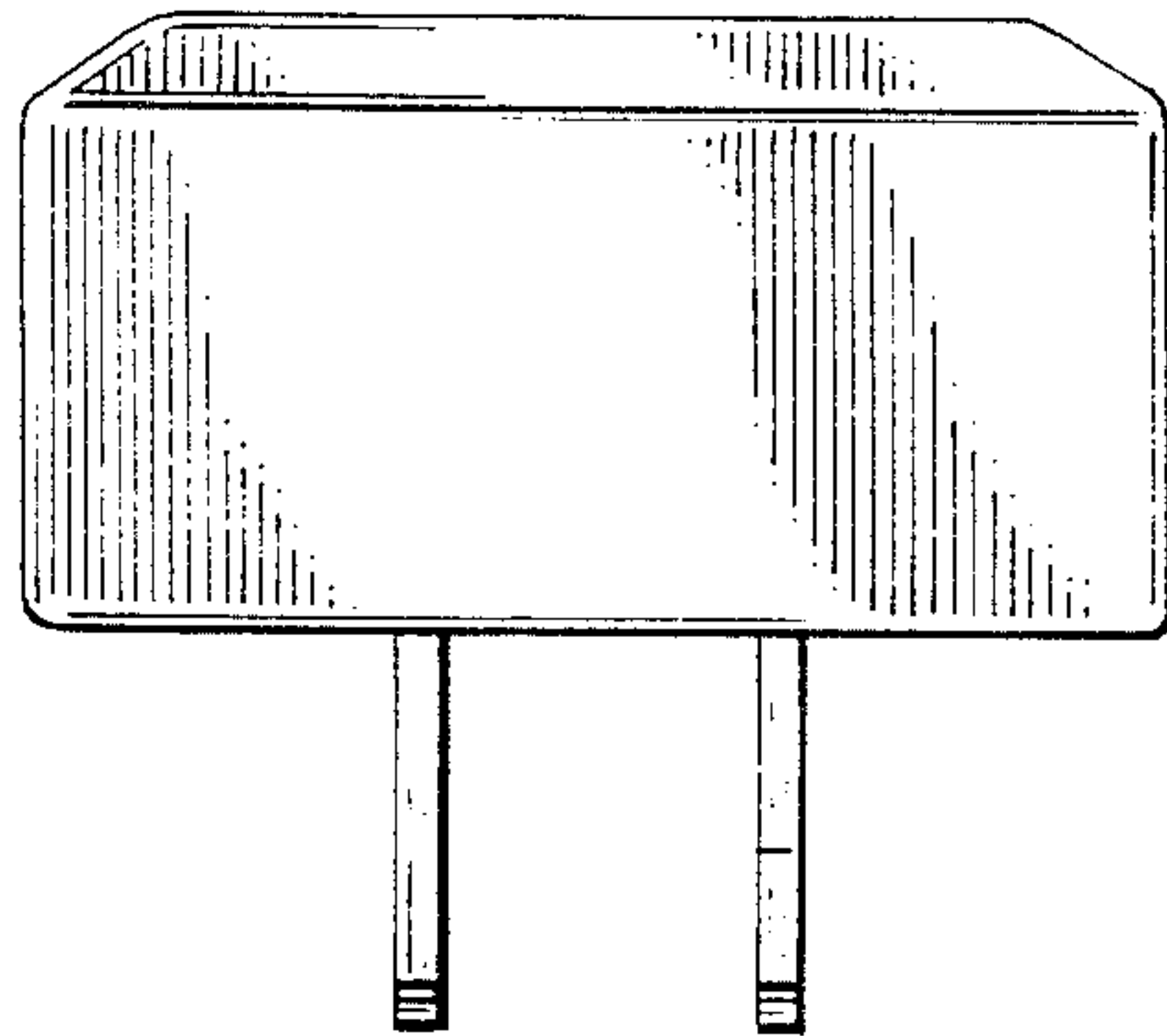


FIG. 2

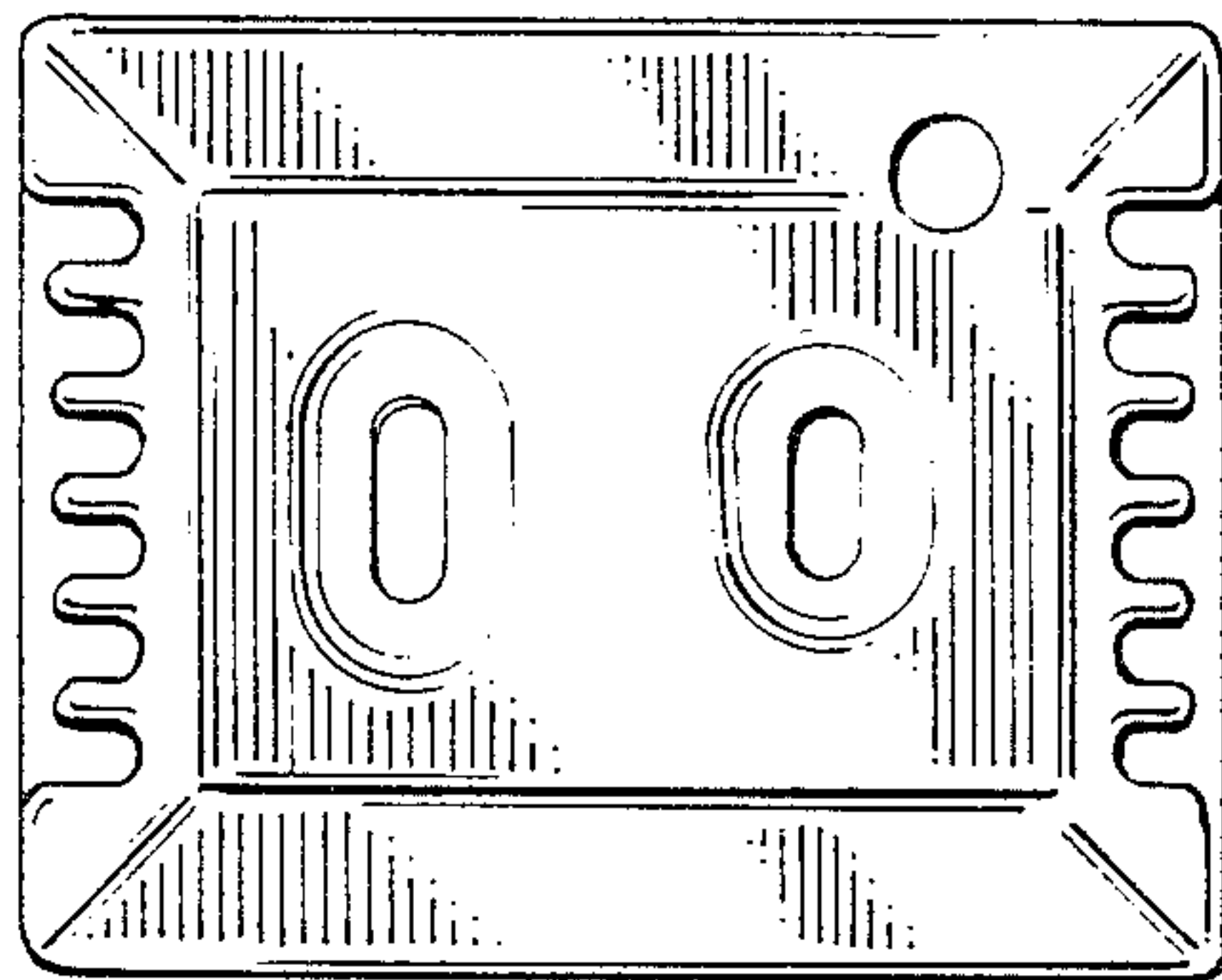


FIG. 3

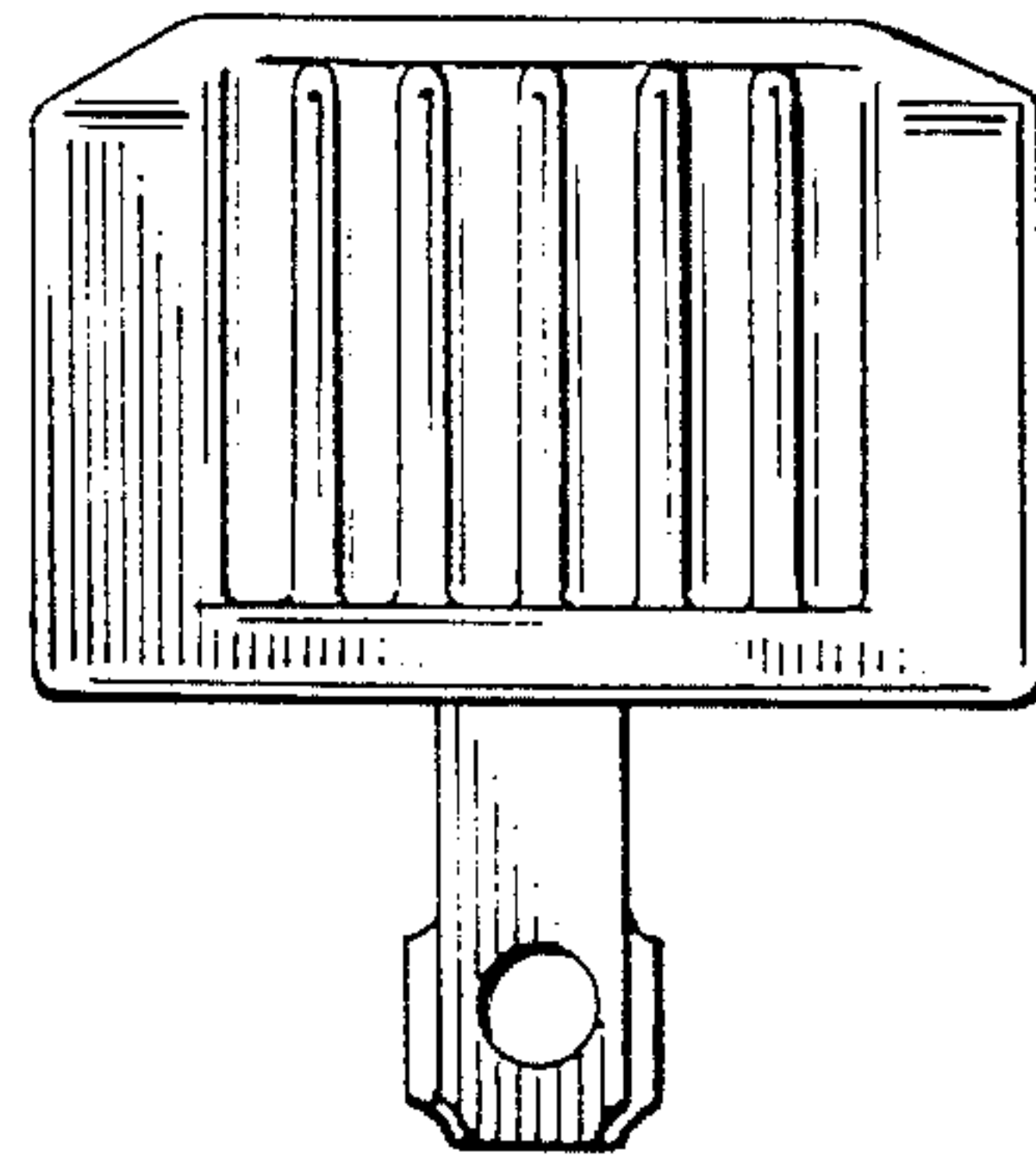


FIG. 4

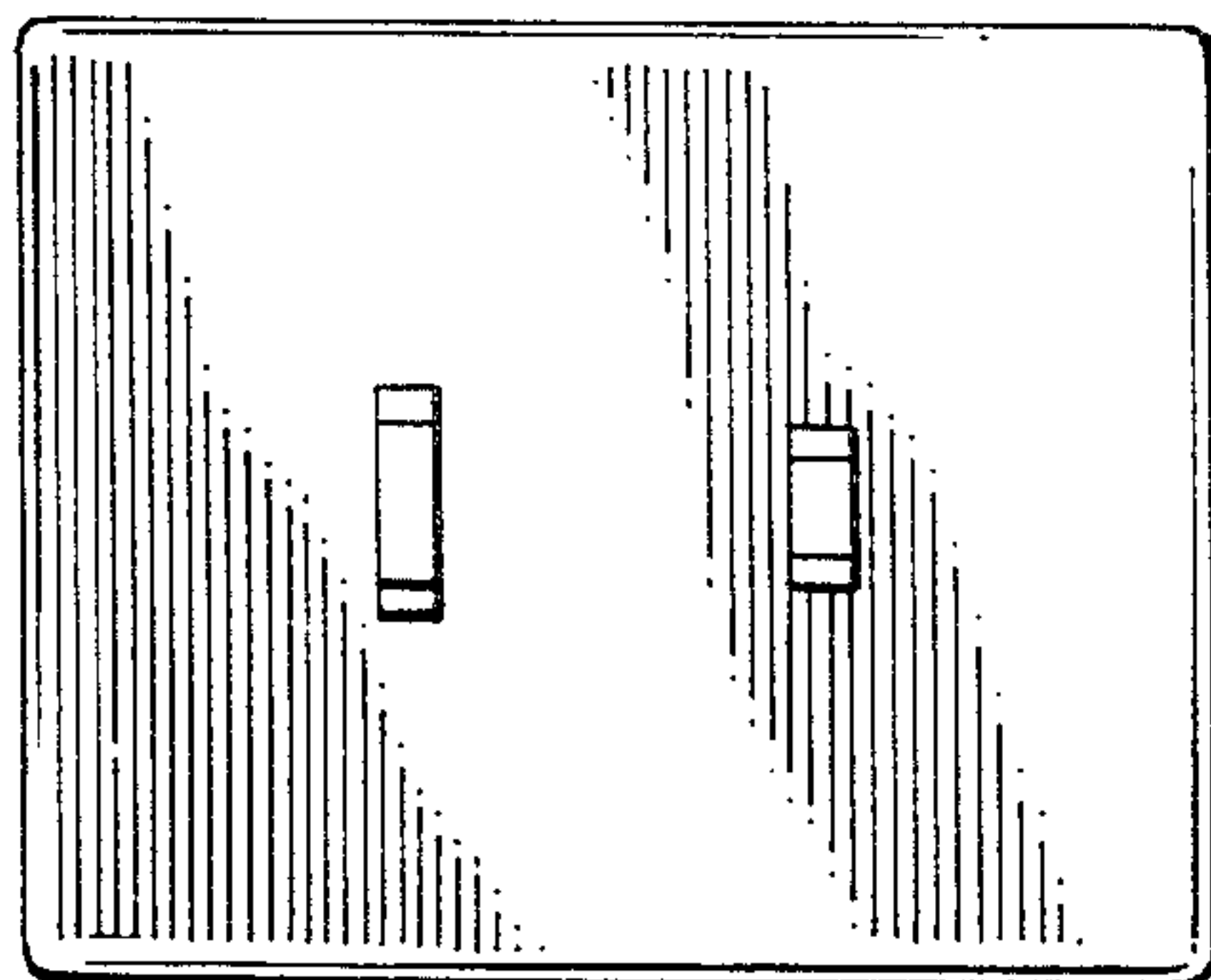


FIG. 5