

[54] COMBINED CONTAINER AND RAMP FOR USE IN APPLYING TIRE CHAINS TO VEHICLE TIRES

[75] Inventor: Robert T. Stewart, Redmond, Wash.

[73] Assignee: Wink Corporation, Lynnwood, Wash.

[\*\*] Term: 14 Years

[21] Appl. No.: 530,666

[22] Filed: Sep. 12, 1983

[52] U.S. Cl. .... D12/157; D12/217; D9/431; D3/30.1; D7/77

[58] Field of Search ..... D12/157, 217; D9/431; D3/30.1, 73; D7/77; 152/213 R; 254/88

[56] References Cited

U.S. PATENT DOCUMENTS

D. 243,388	2/1977	Dumas	.....	D9/431
D. 252,605	8/1979	Corini	.....	D3/30.1
3,937,263	2/1976	Hill et al.	.....	254/88
4,103,870	8/1978	Murakami	.....	D34/32

Primary Examiner—James M. Gandy

Attorney, Agent, or Firm—Robert J. Schaap

[57] CLAIM

The ornamental design for a combined container and ramp for use in applying tire chains to vehicle tires, as shown and described.

DESCRIPTION

FIG. 1 is a perspective view of a combined container and ramp for use in applying tire chains to vehicle tires showing my new design;

FIG. 2 is an end elevation view thereof, the opposite end being a mirror image of that shown;

FIG. 3 is a side elevation view thereof, the opposite side being a mirror image of that shown;

FIG. 4 is a top plan view thereof;

FIG. 5 is a bottom plan view thereof;

FIG. 6 is an end elevation view thereof with the handle removed;

FIG. 7 is a top plan view of FIG. 6;

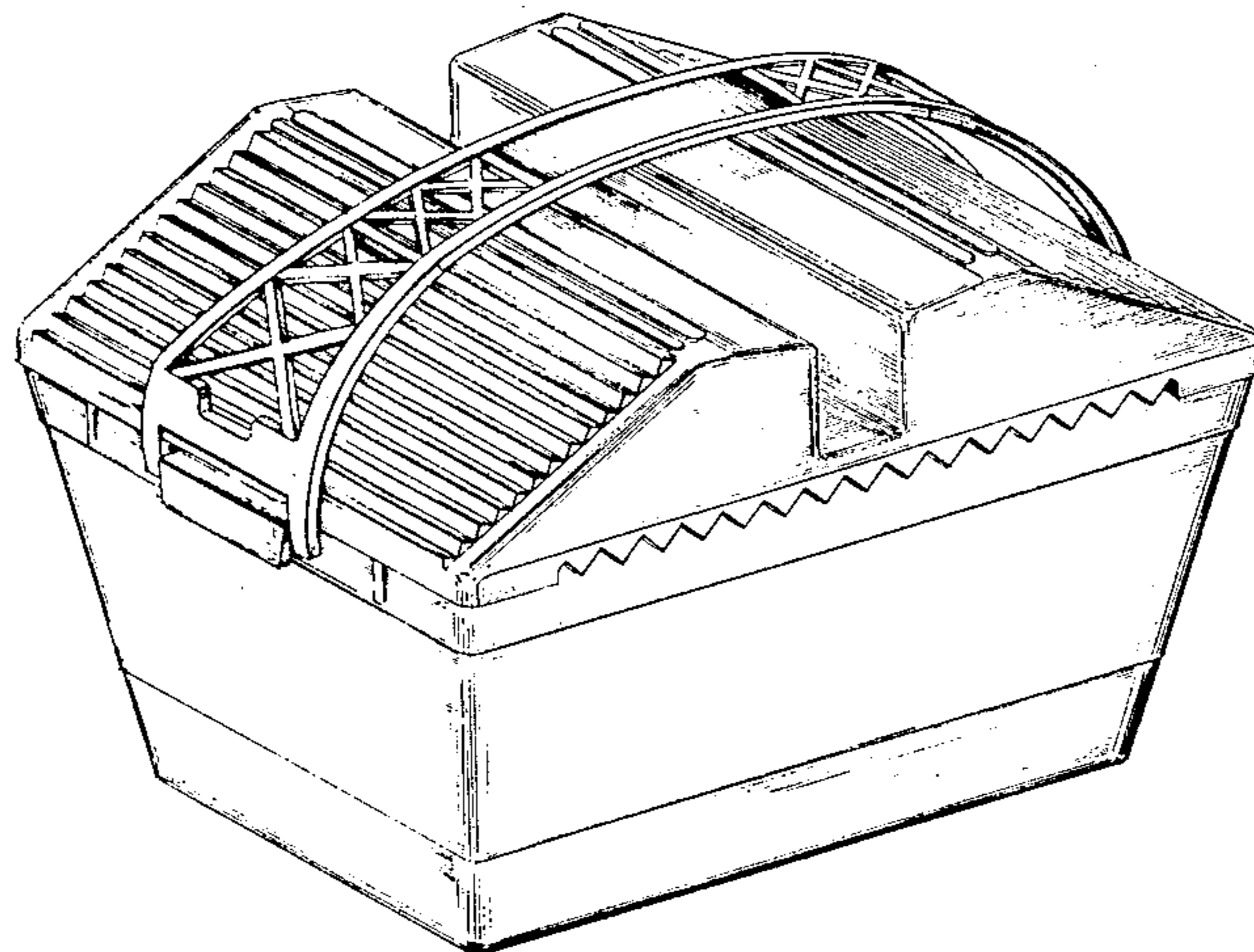
FIG. 8 is a perspective view of the ramp thereof removed from the container;

FIG. 9 is a side elevation view of FIG. 8;

FIG. 10 is a top plan view of FIG. 8;

FIG. 11 is a bottom plan view of FIG. 8; and

FIG. 12 is an end elevation view of FIG. 8.



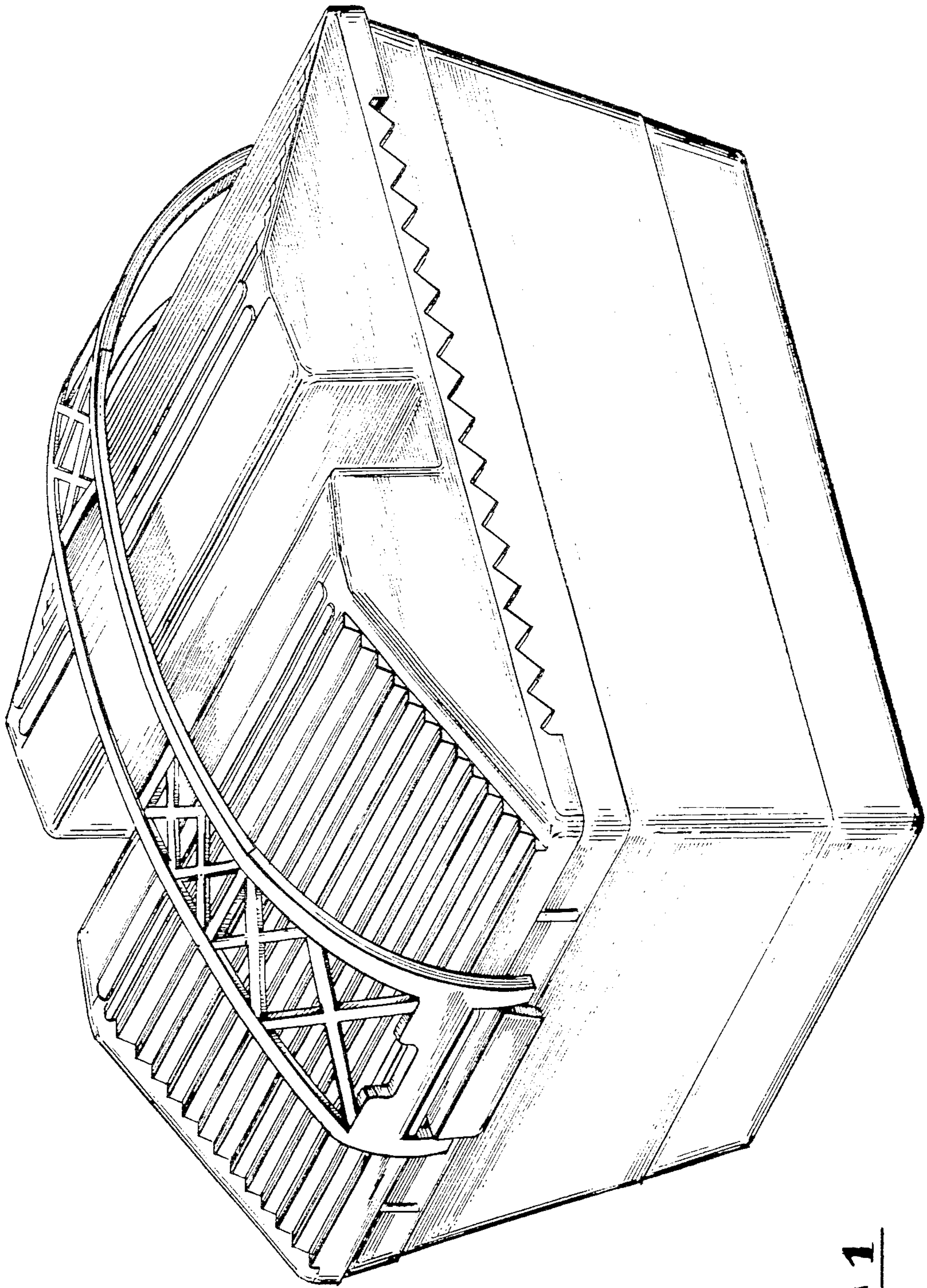


FIG 1



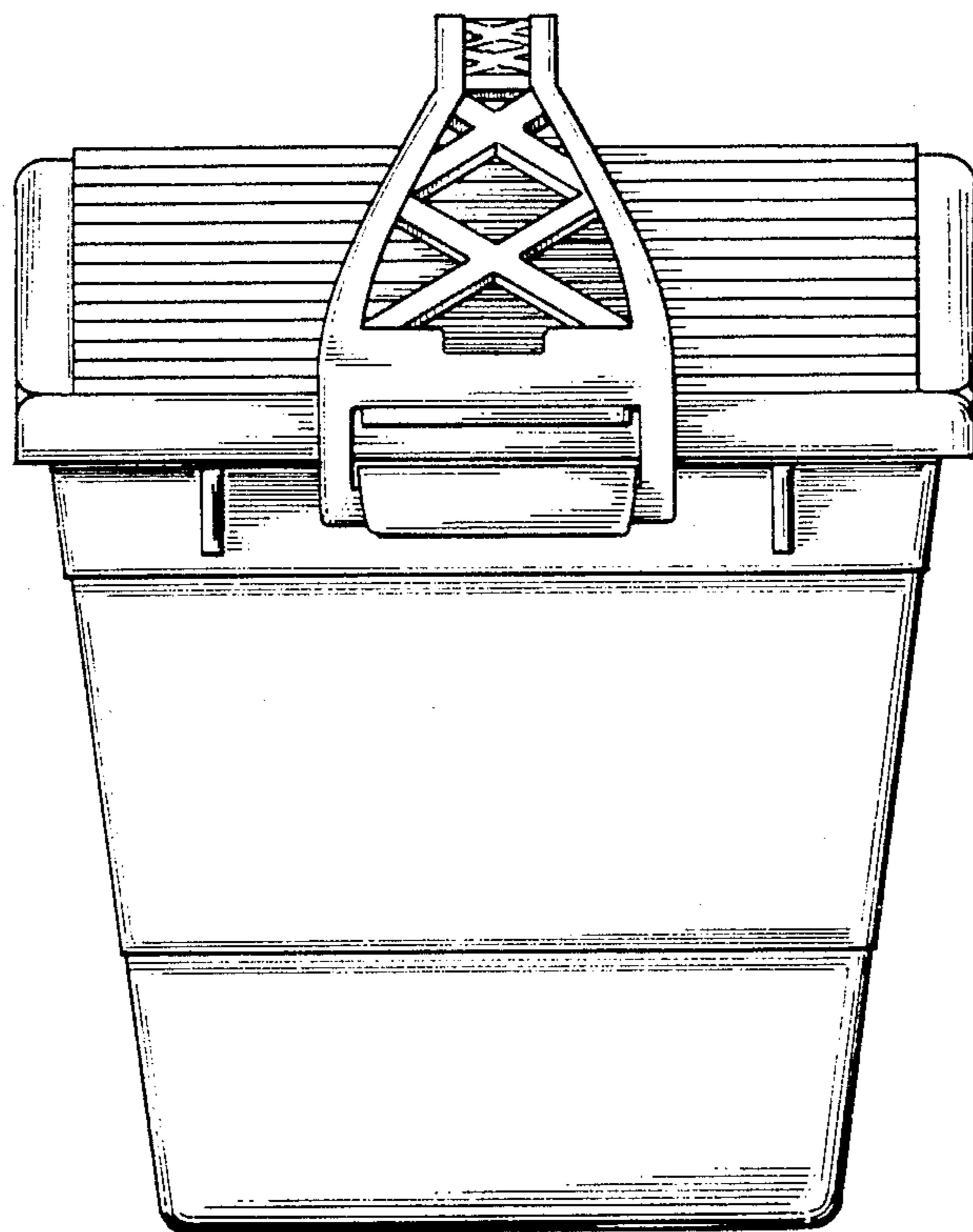


FIG. 2

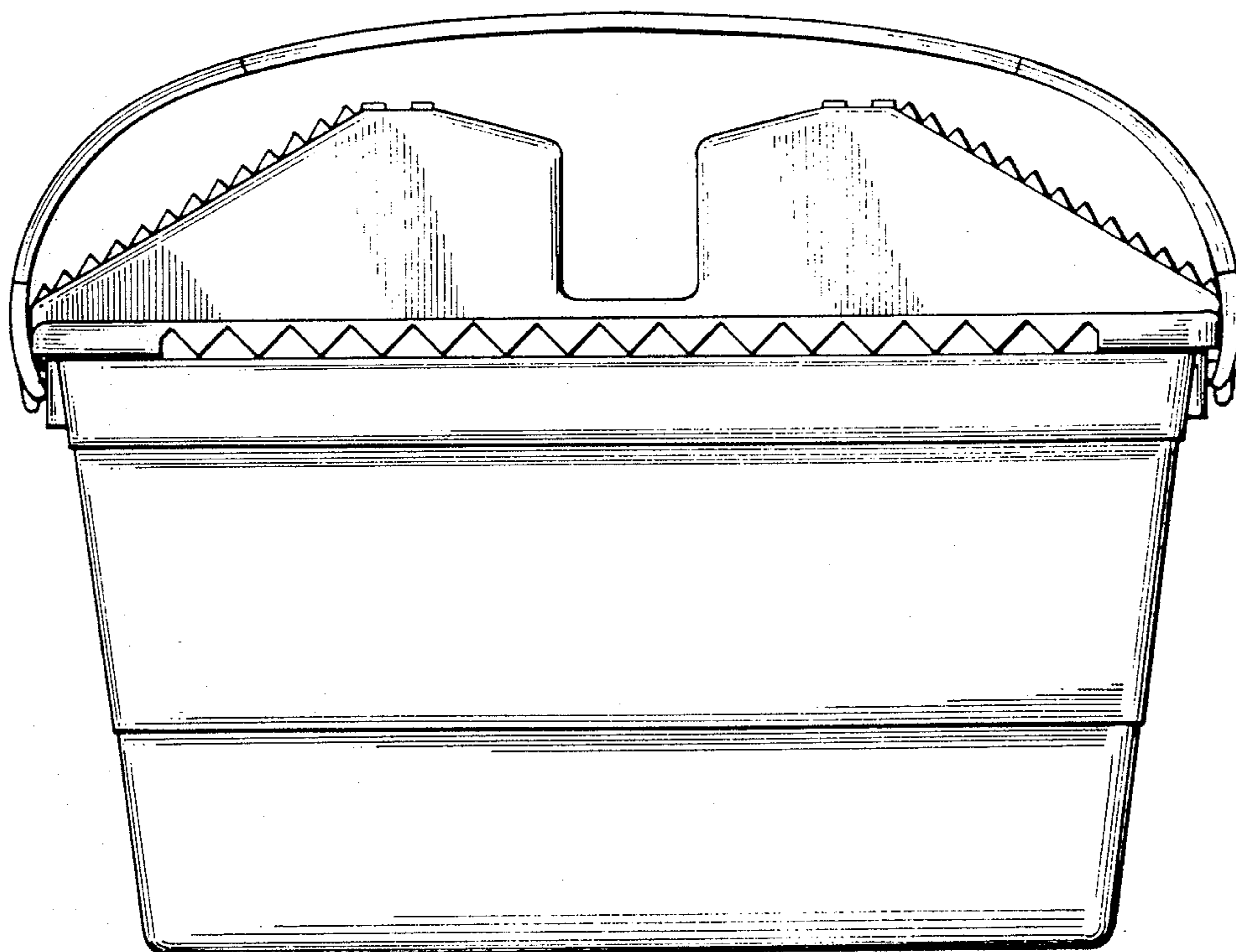


FIG. 3

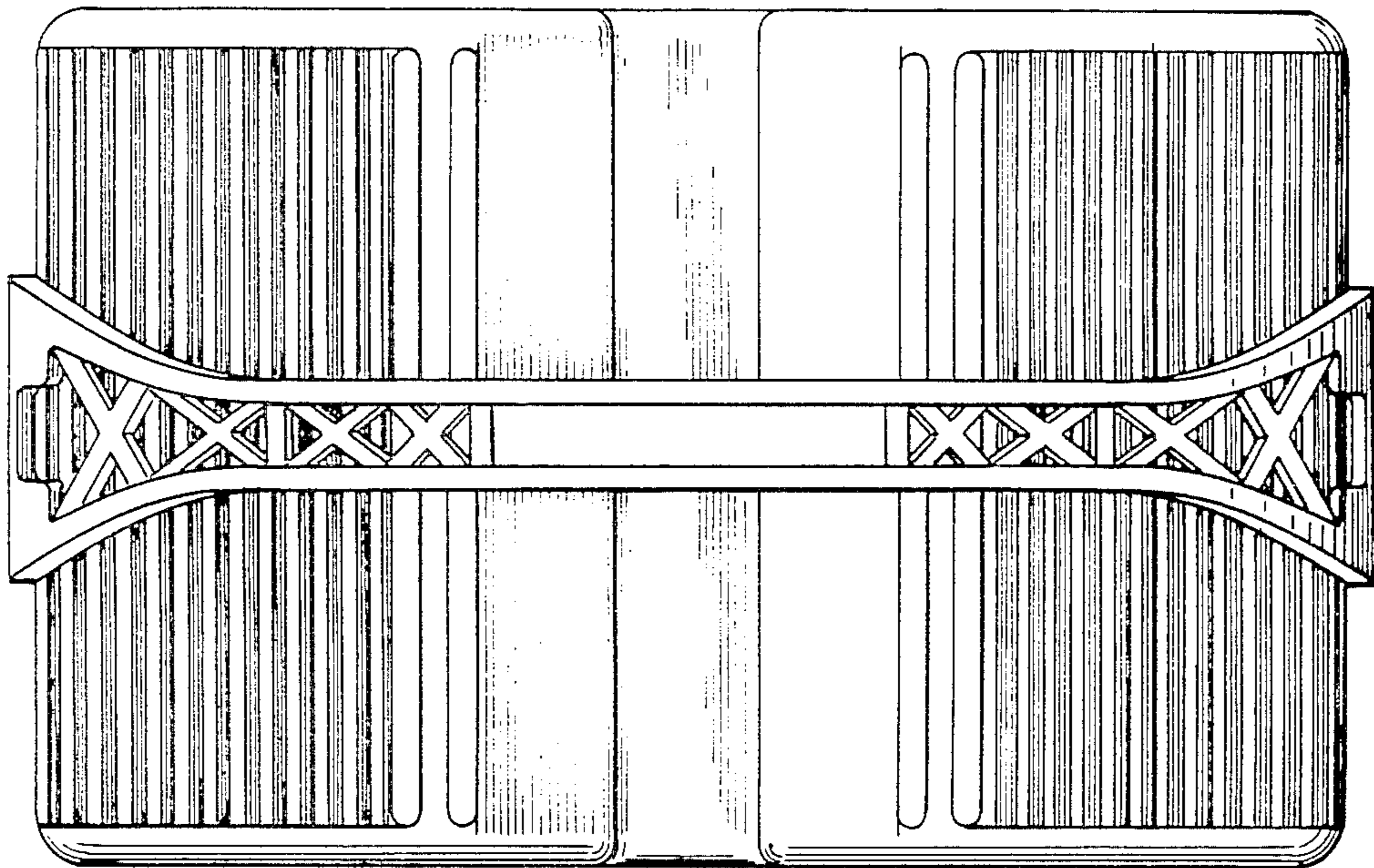


FIG. 4

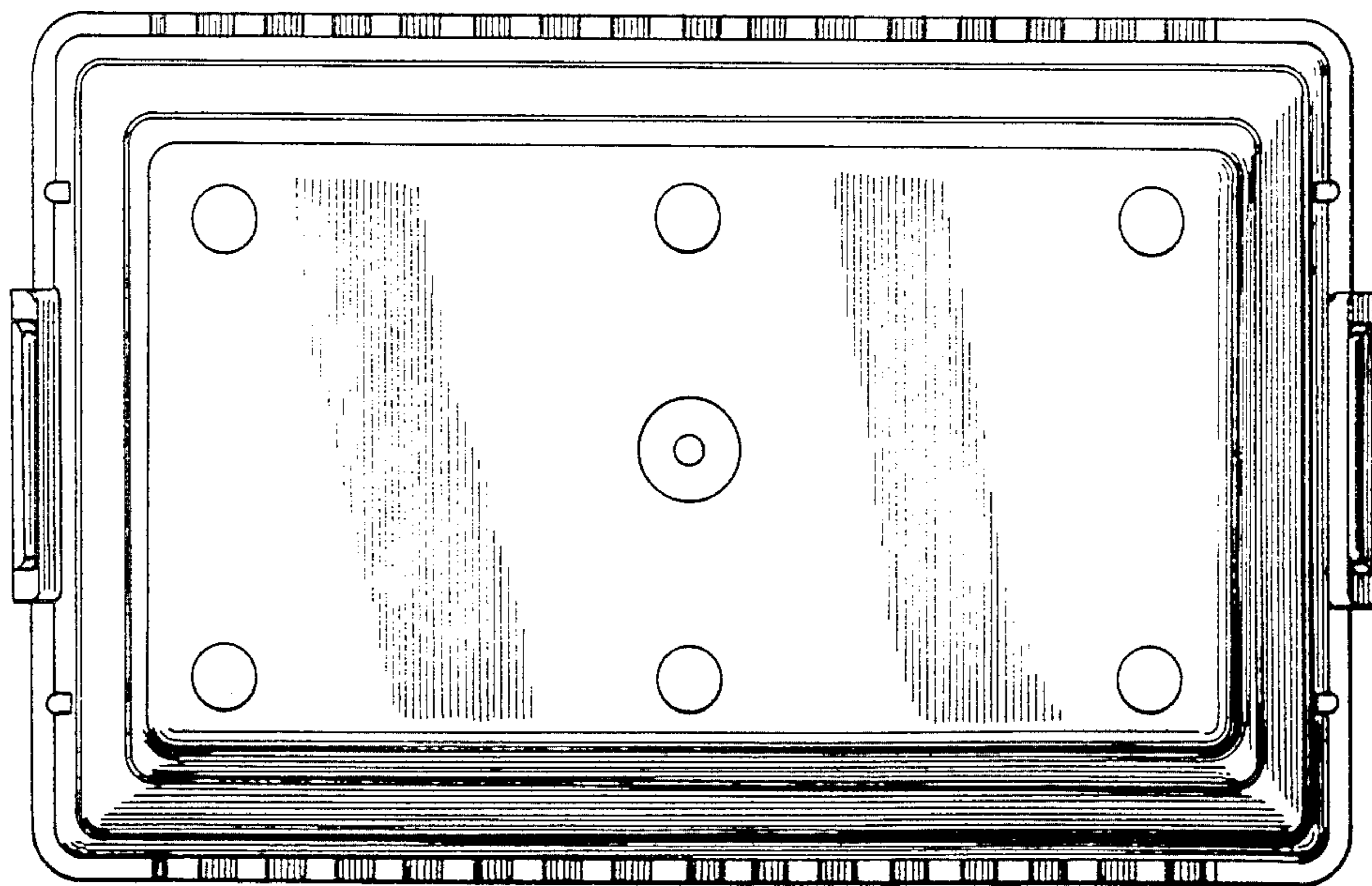


FIG. 5

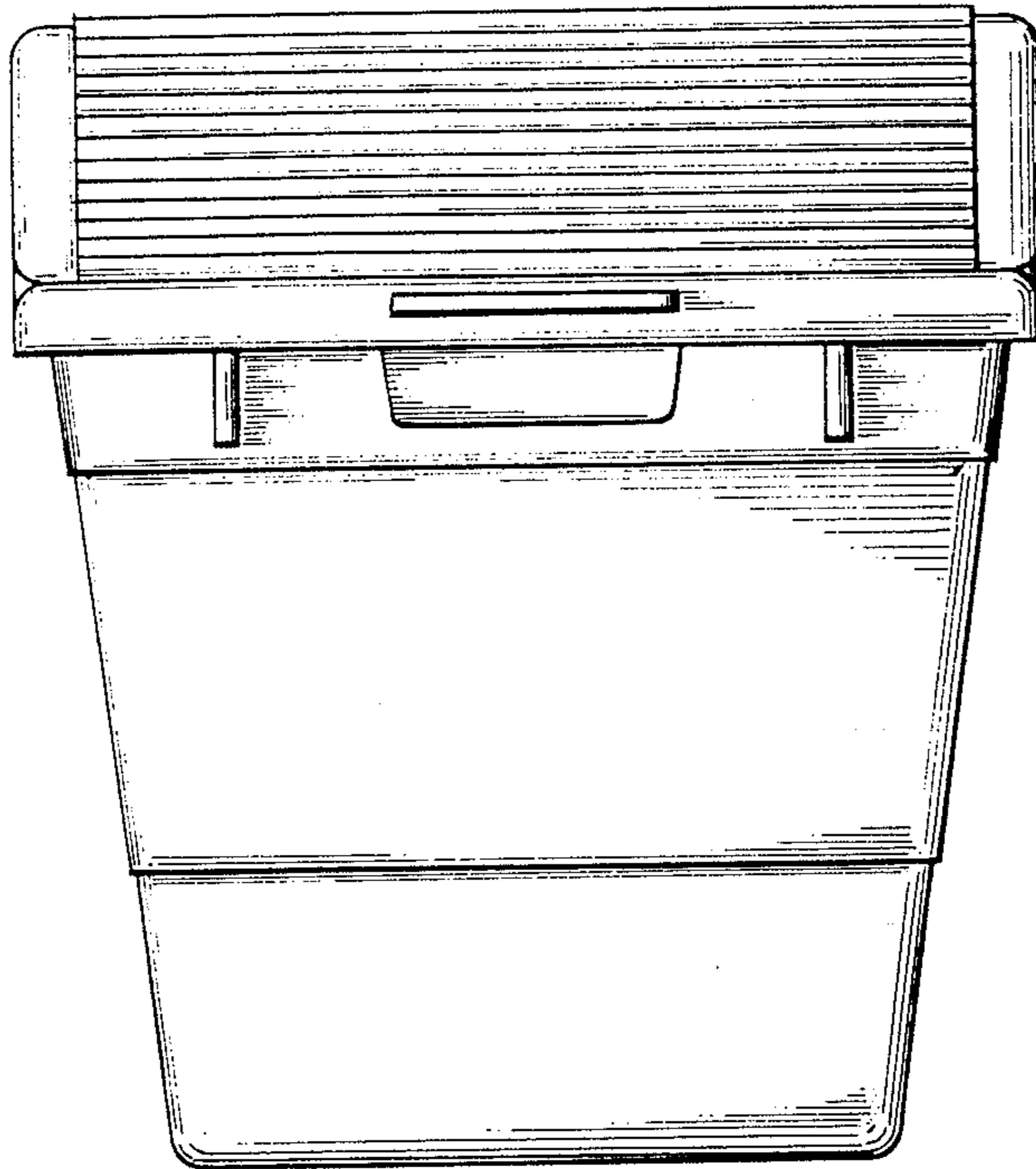


FIG. 6

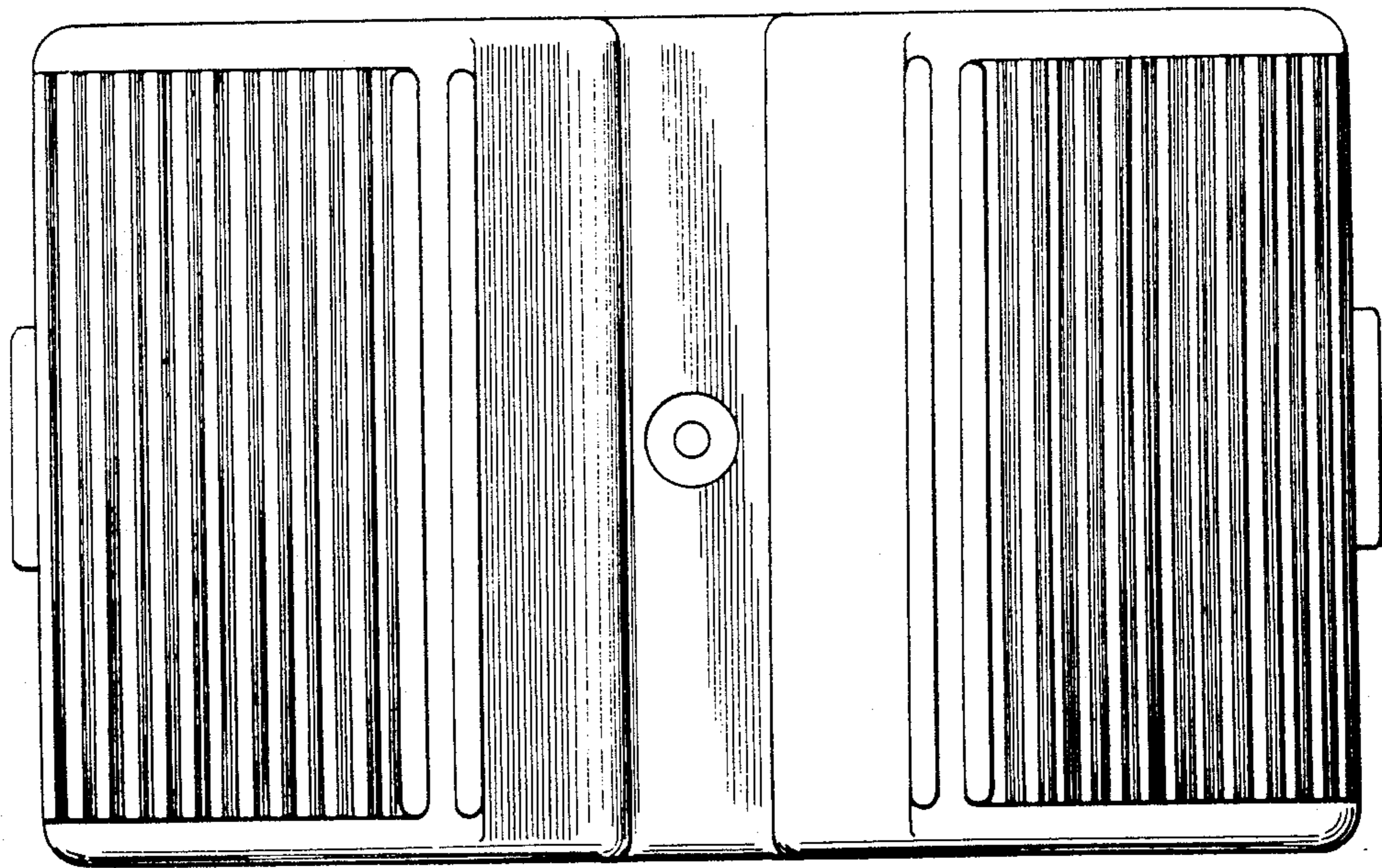


FIG. 7



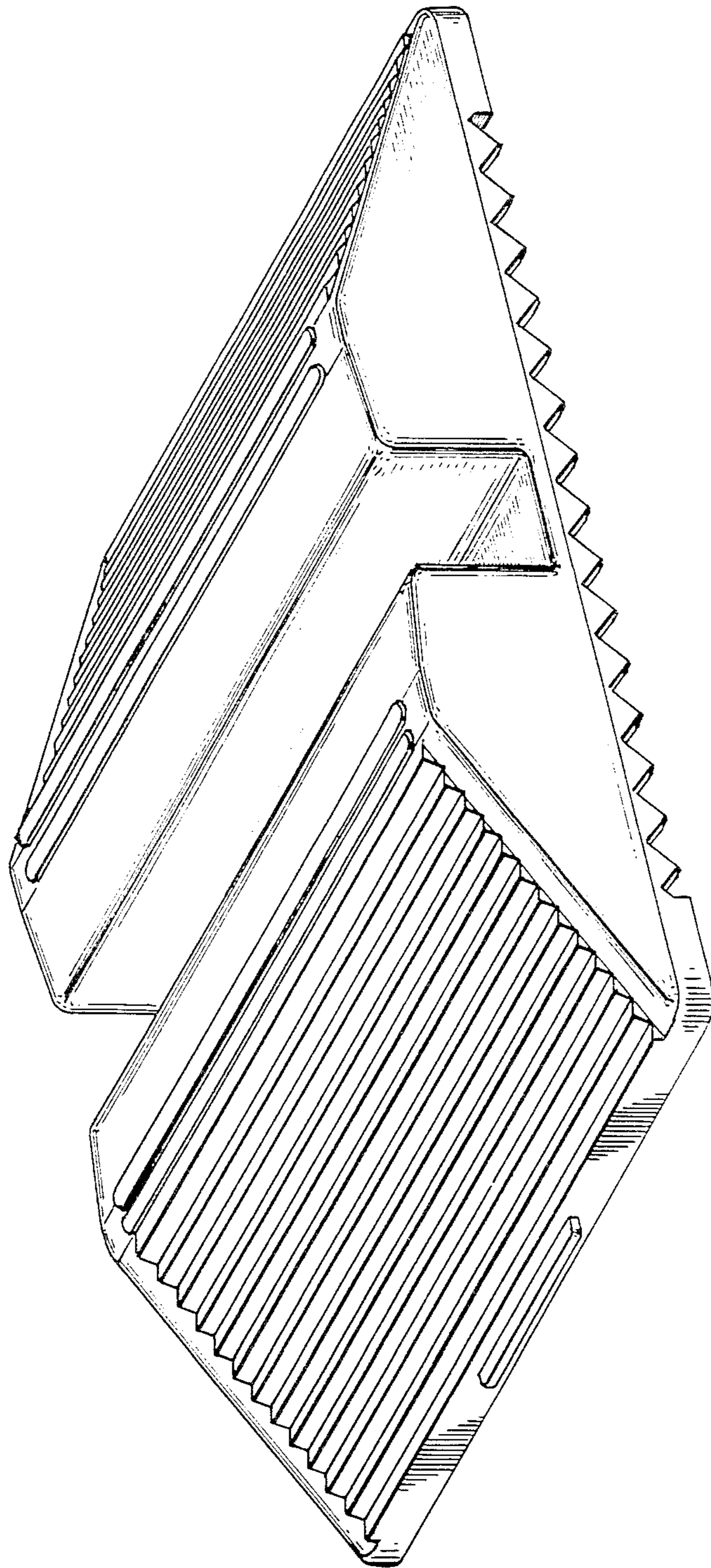


FIG. 8

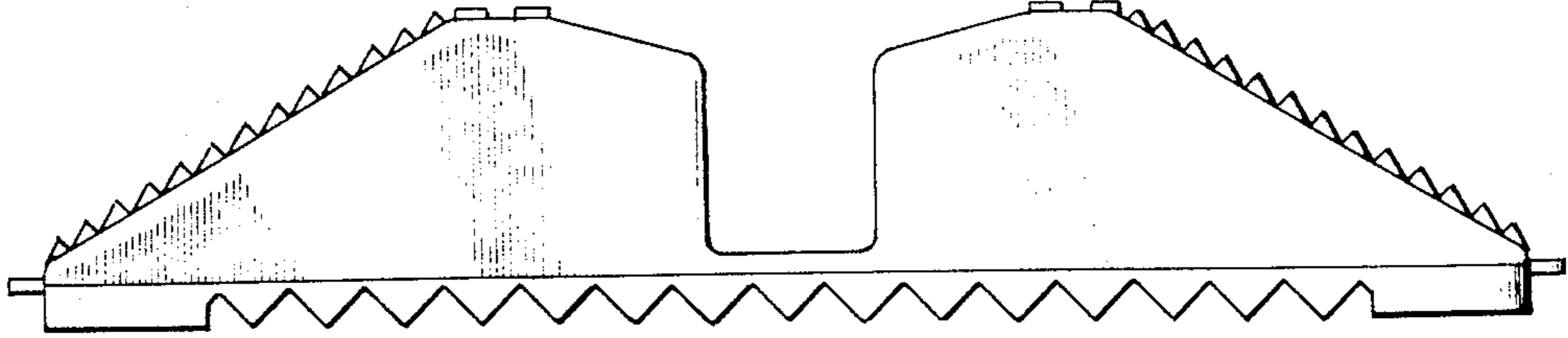


FIG. 9

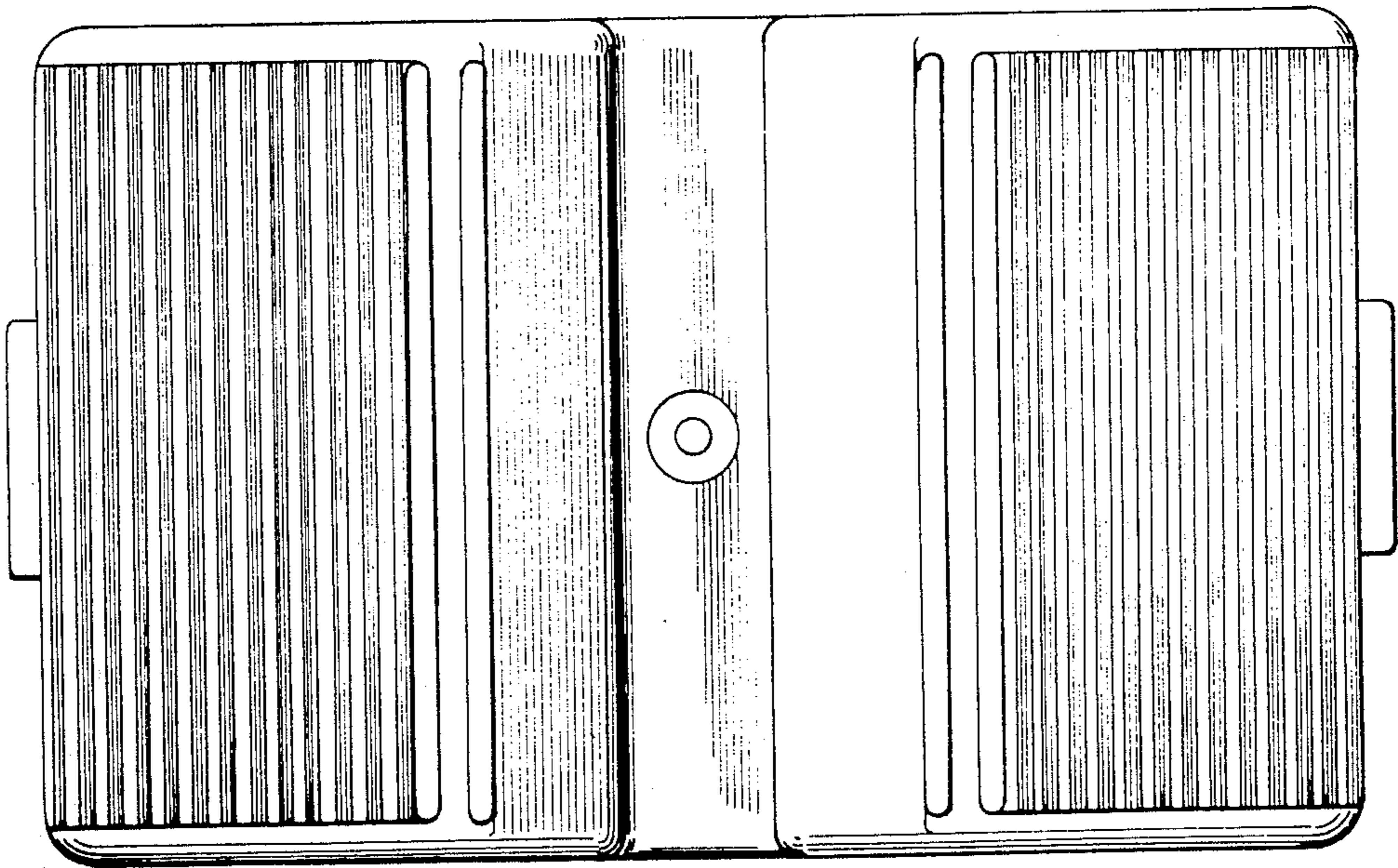


FIG. 10

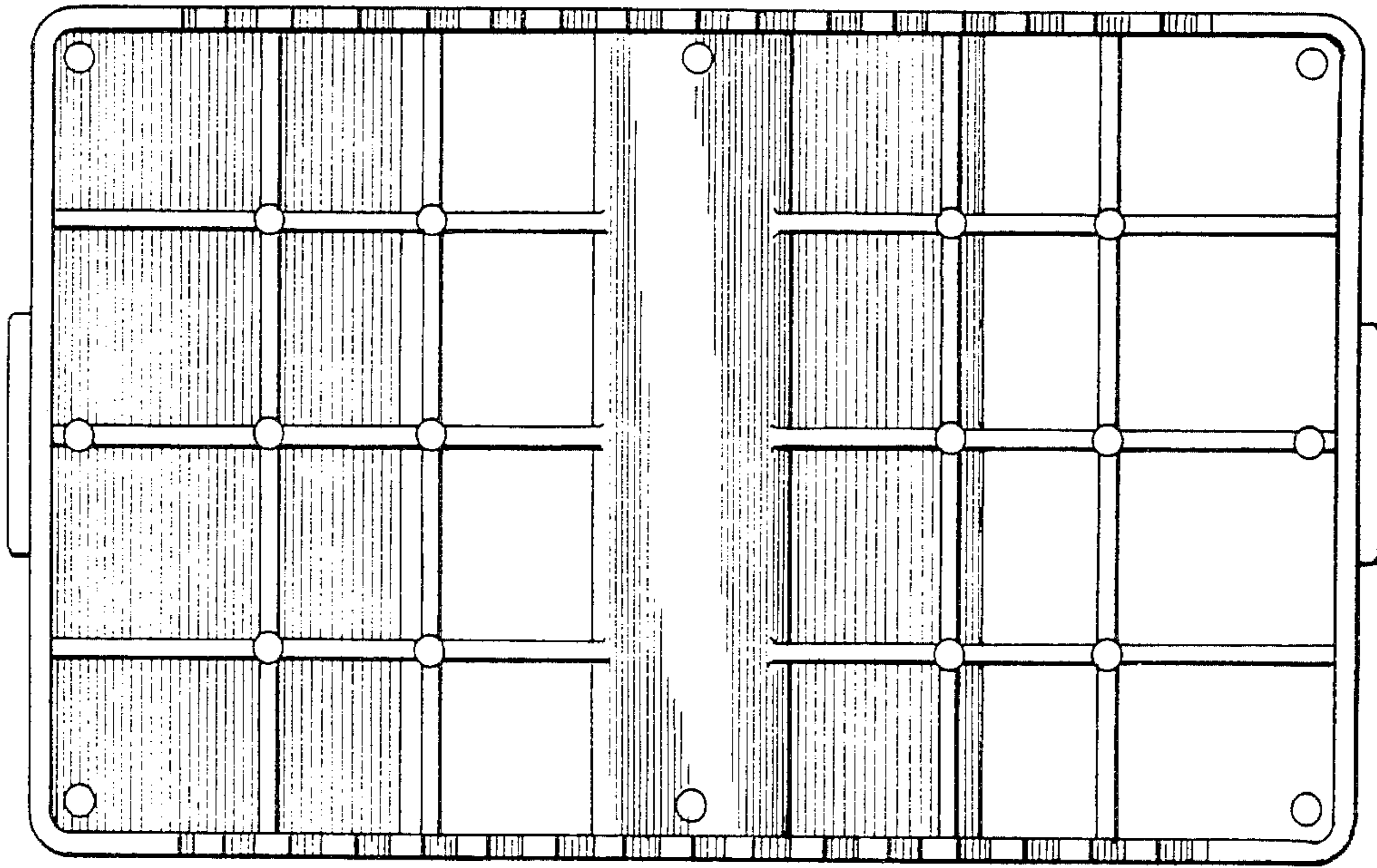


FIG. 11

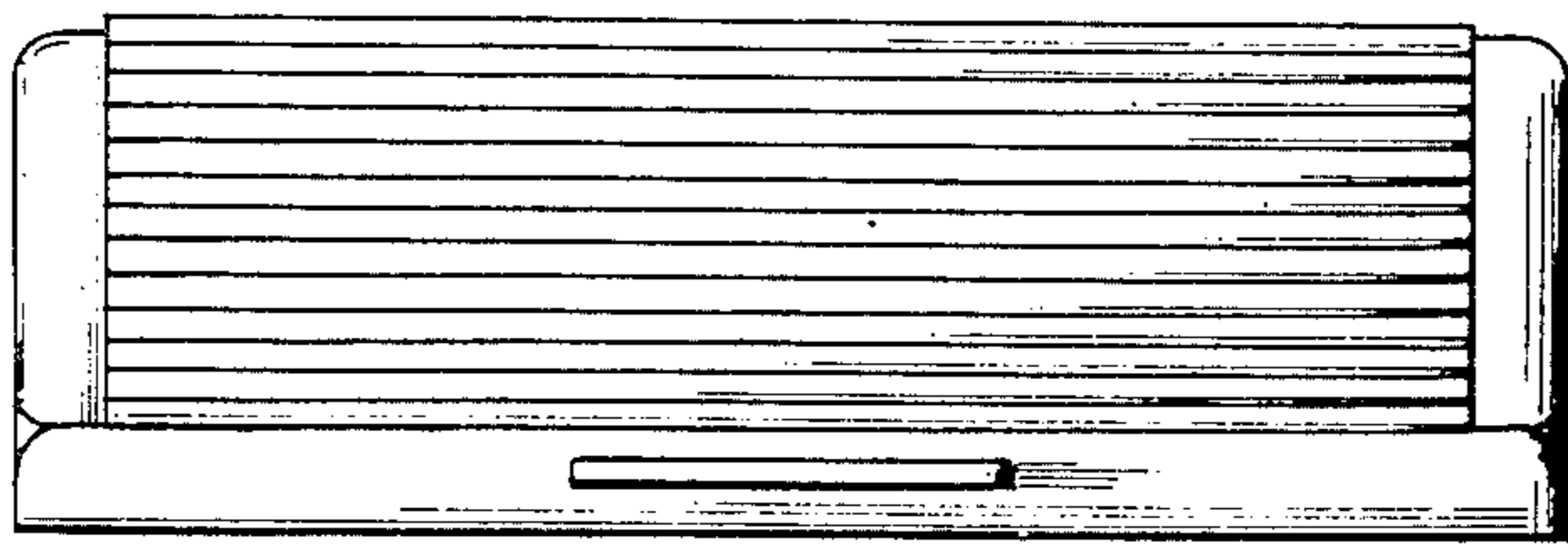


FIG. 12