

[54] LIP PORTION OF AN UPWARDLY OPEN FOOD CONTAINER

[75] Inventor: Sajjad A. Ebrahim, Toronto, Canada

[73] Assignee: Par-Pak Limited, Ontario, Canada

[**] Term: 14 Years

[21] Appl. No.: 497,992

[22] Filed: May 25, 1983

[30] Foreign Application Priority Data

Apr. 19, 1983 [CA] Canada 19-04-83-3

[52] U.S. Cl. D9/434; D7/76

[58] Field of Search D9/434, 425, 428, 429; D7/391, 70, 76, 77, 79, 83; 150/55; 206/519, 518; 220/74; 229/43

[56] References Cited

U.S. PATENT DOCUMENTS

- D. 234,574 3/1975 Schimkat D9/425
- D. 238,148 12/1975 Dilot D9/425 X
- D. 267,395 12/1982 Groenewold et al. D9/425
- D. 271,555 11/1983 Daenen et al. D7/79 X
- D. 277,993 3/1985 Sinchok D9/425 X
- 2,814,427 11/1957 Emery 206/519 X
- 3,351,227 11/1967 Collie 150/55 X
- 3,556,339 1/1971 Lind et al. 150/55 X
- 3,941,301 3/1976 Jorgensen 220/74 X
- 4,113,095 9/1978 Dietz et al. 206/519 X
- 4,373,642 2/1983 Wolters et al. 206/519 X

Primary Examiner—Bernard Ansher

Assistant Examiner—Linda Titolo

Attorney, Agent, or Firm—Sughrue, Mion, Zinn, Macpeak & Seas

[57] CLAIM

The ornamental design for a lip portion of an upwardly open food container, as shown and described.

DESCRIPTION

FIG. 1 is a top perspective view of a lip portion of an upwardly open food container showing my new design, with the body of the container shown in broken lines for illustrative purposes only;

FIG. 2 is a bottom perspective view thereof;

FIG. 3 is a side elevational view thereof, the opposite side being a mirror image thereof;

FIG. 4 is an end elevational view thereof, the opposite end being a mirror image thereof;

FIG. 5 is a top perspective view of a second embodiment of that shown in FIG. 1, with the body of the container shown in broken lines for illustrative purposes only;

FIG. 6 is a bottom perspective view thereof;

FIG. 7 is a side elevational view thereof, the opposite side being a mirror image thereof;

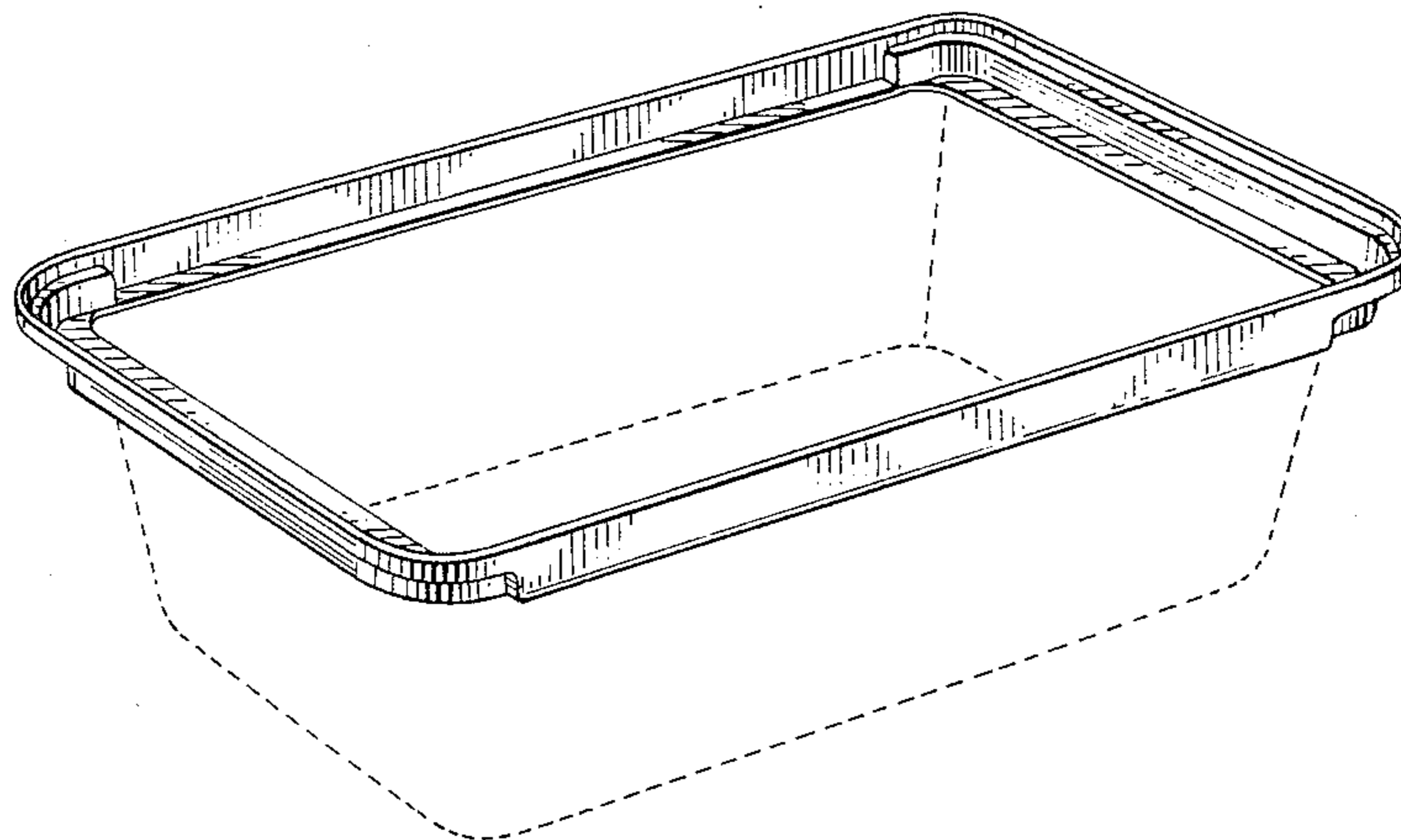
FIG. 8 is an end elevational view thereof, the opposite side being a mirror image thereof;

FIG. 9 is a top perspective view of a third embodiment of that shown in FIG. 1, with the body of the containers shown in broken lines for illustrative purposes only;

FIG. 10 is a bottom perspective view thereof;

FIG. 11 is a side elevational view thereof, the opposite side being a mirror image thereof;

FIG. 12 is an end elevational view thereof, the opposite side being a mirror image thereof.



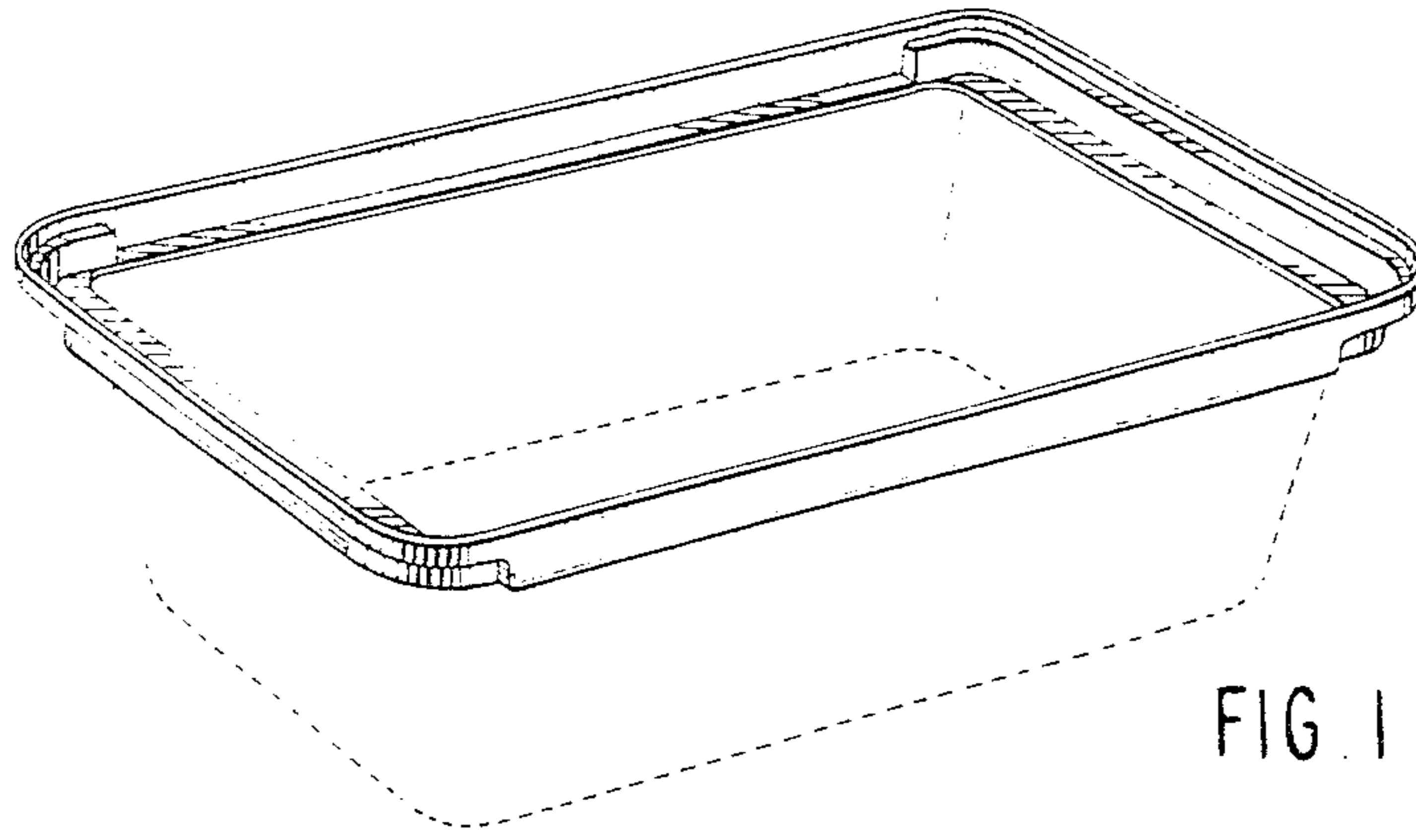


FIG 2

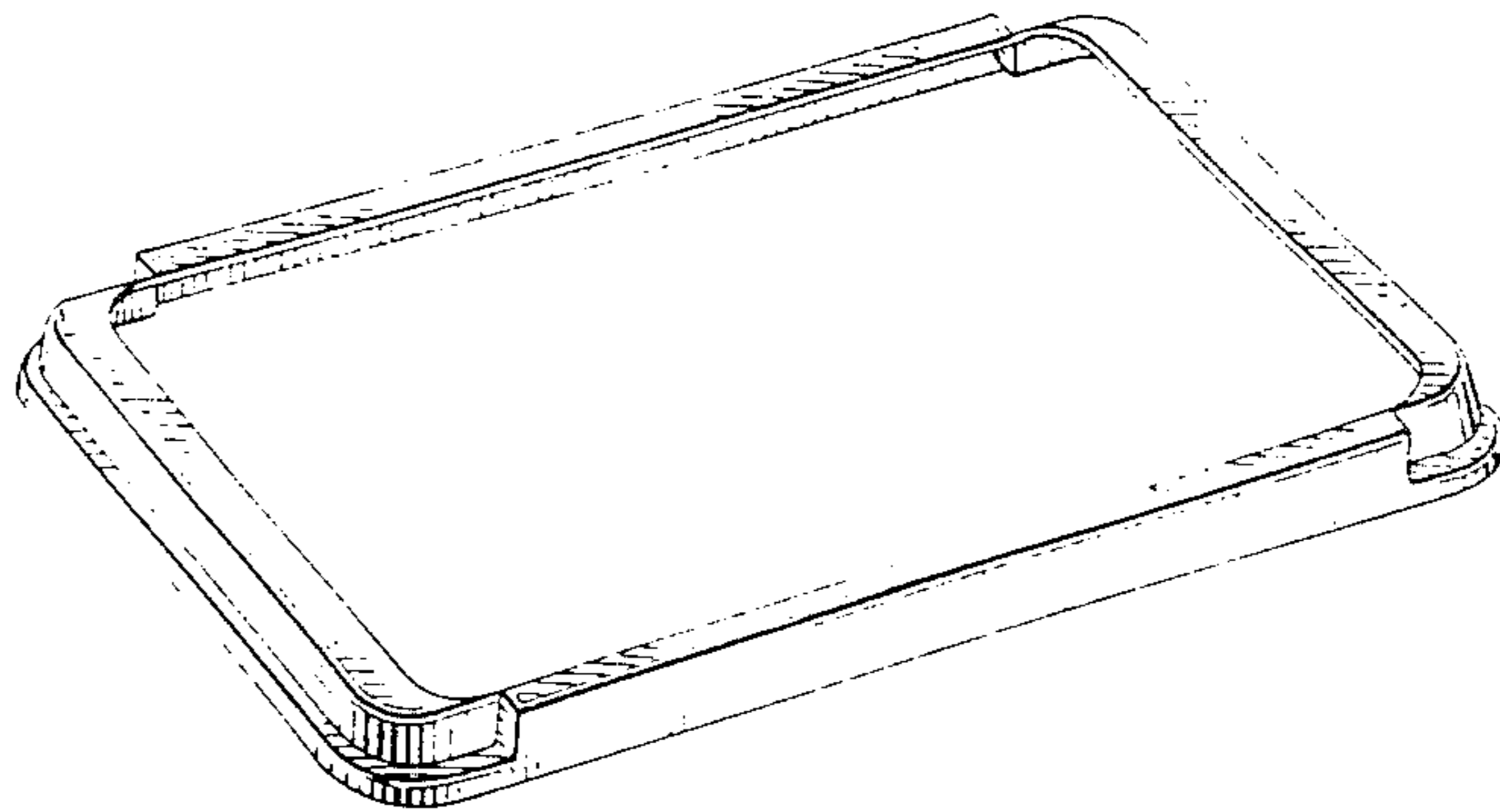


FIG. 3

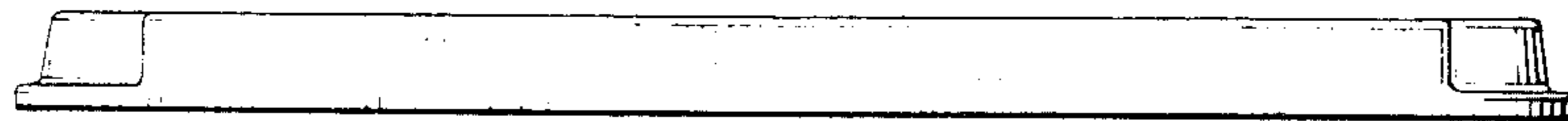


FIG. 4



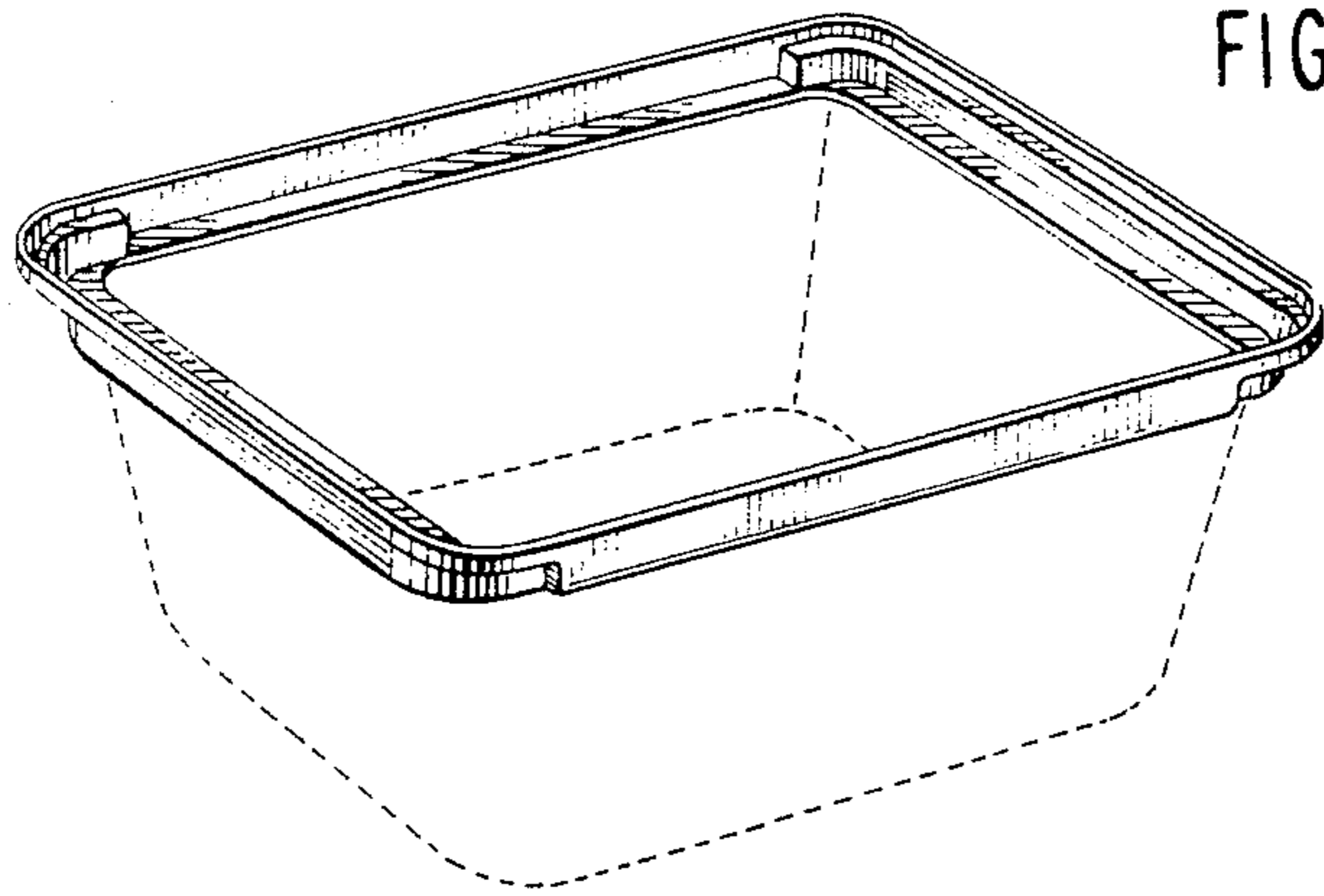


FIG. 5

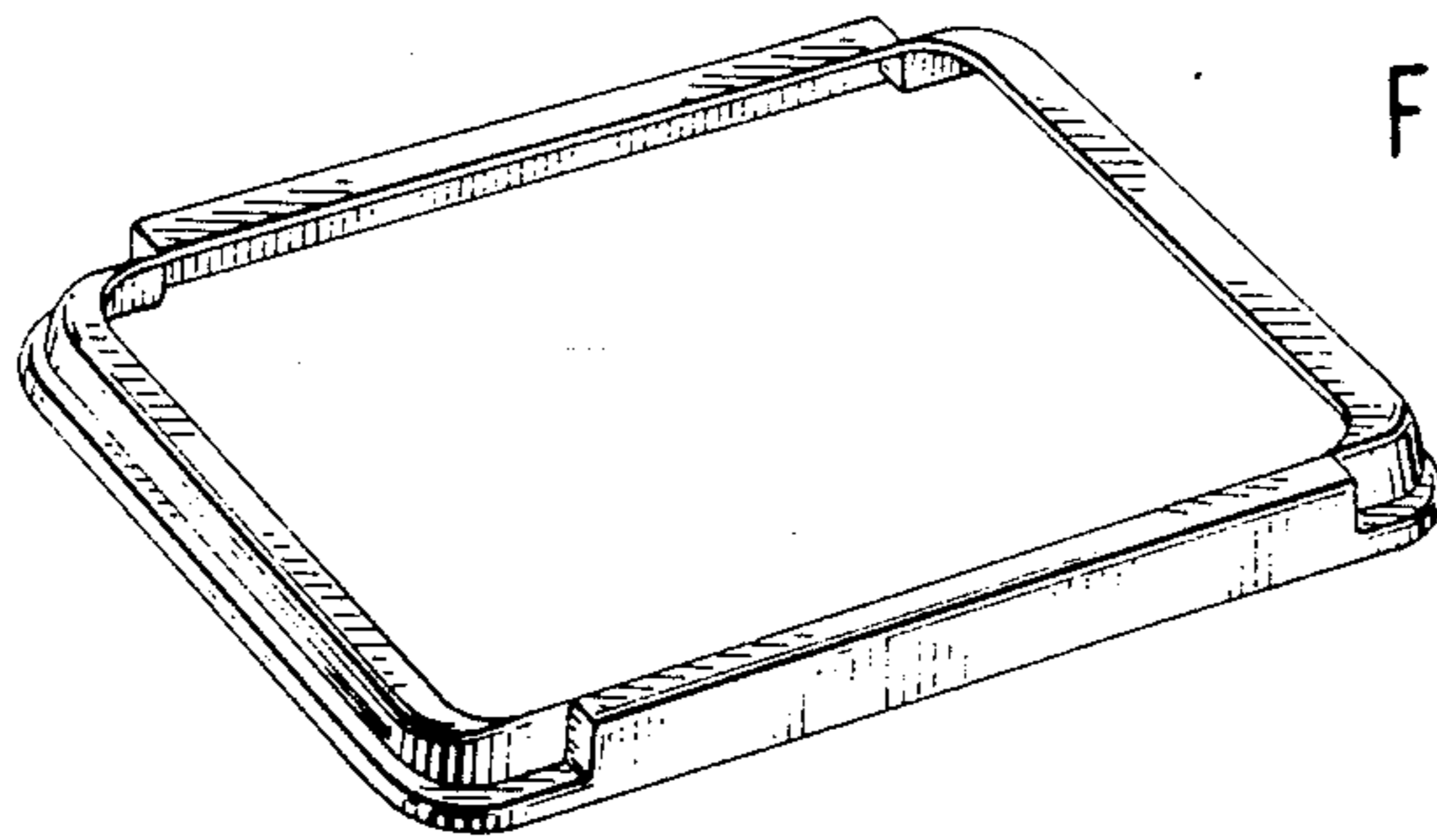


FIG. 6

FIG. 7

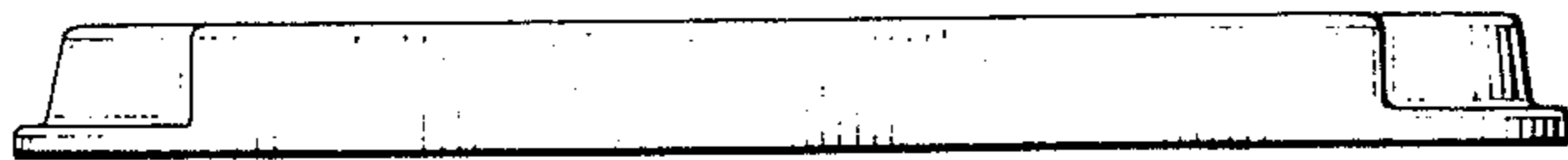
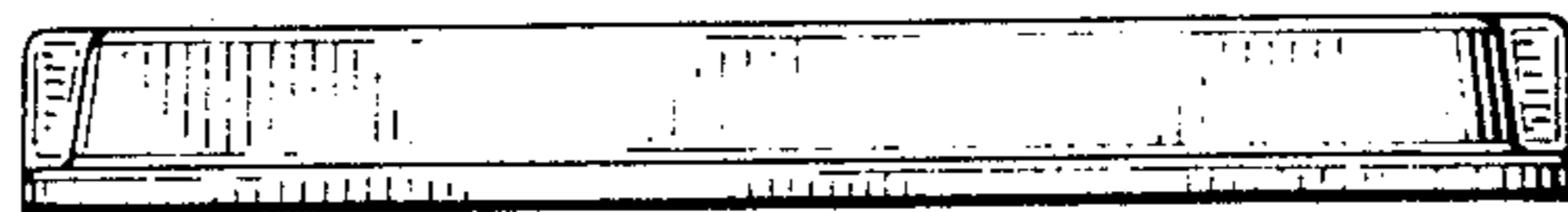


FIG. 8



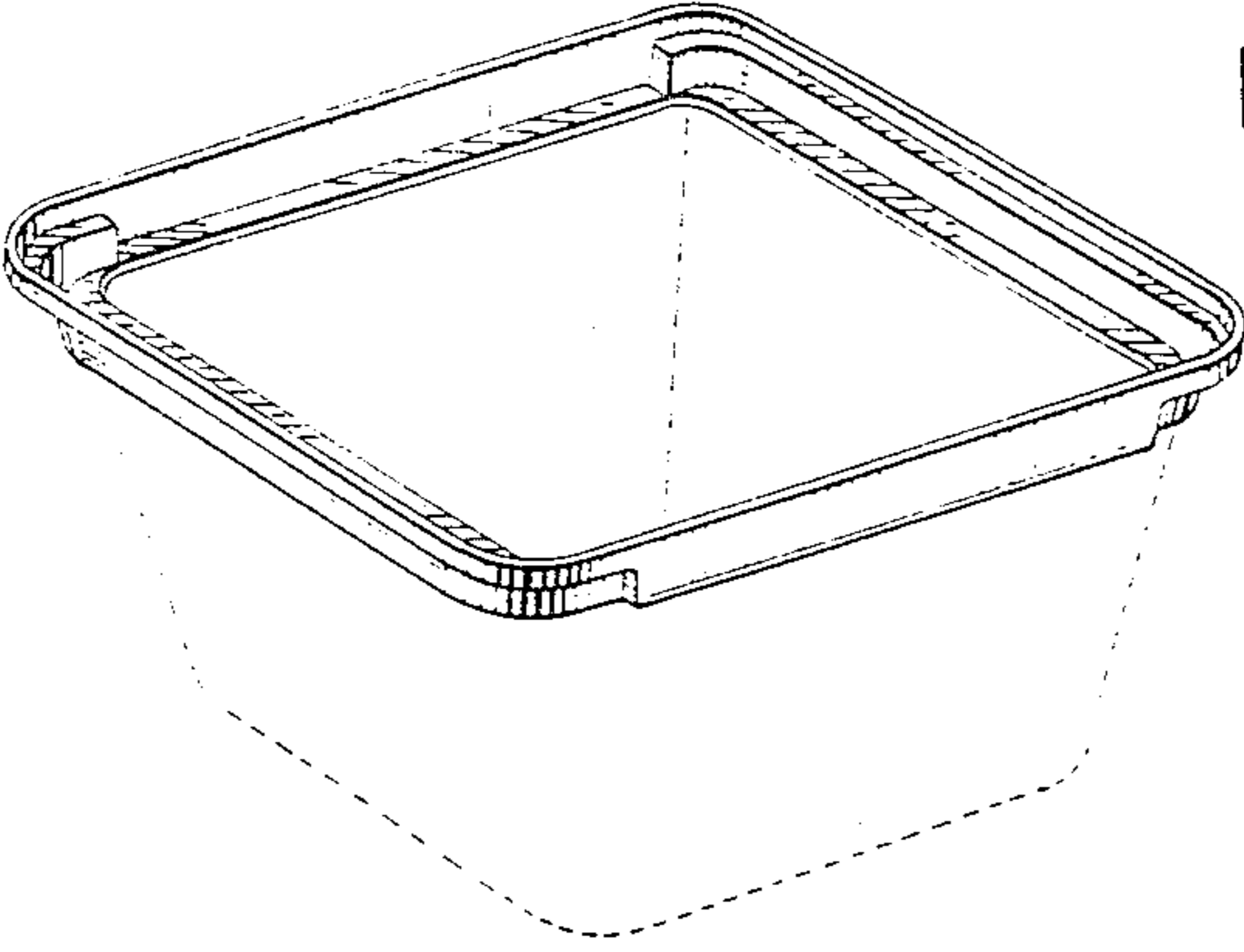


FIG. 9

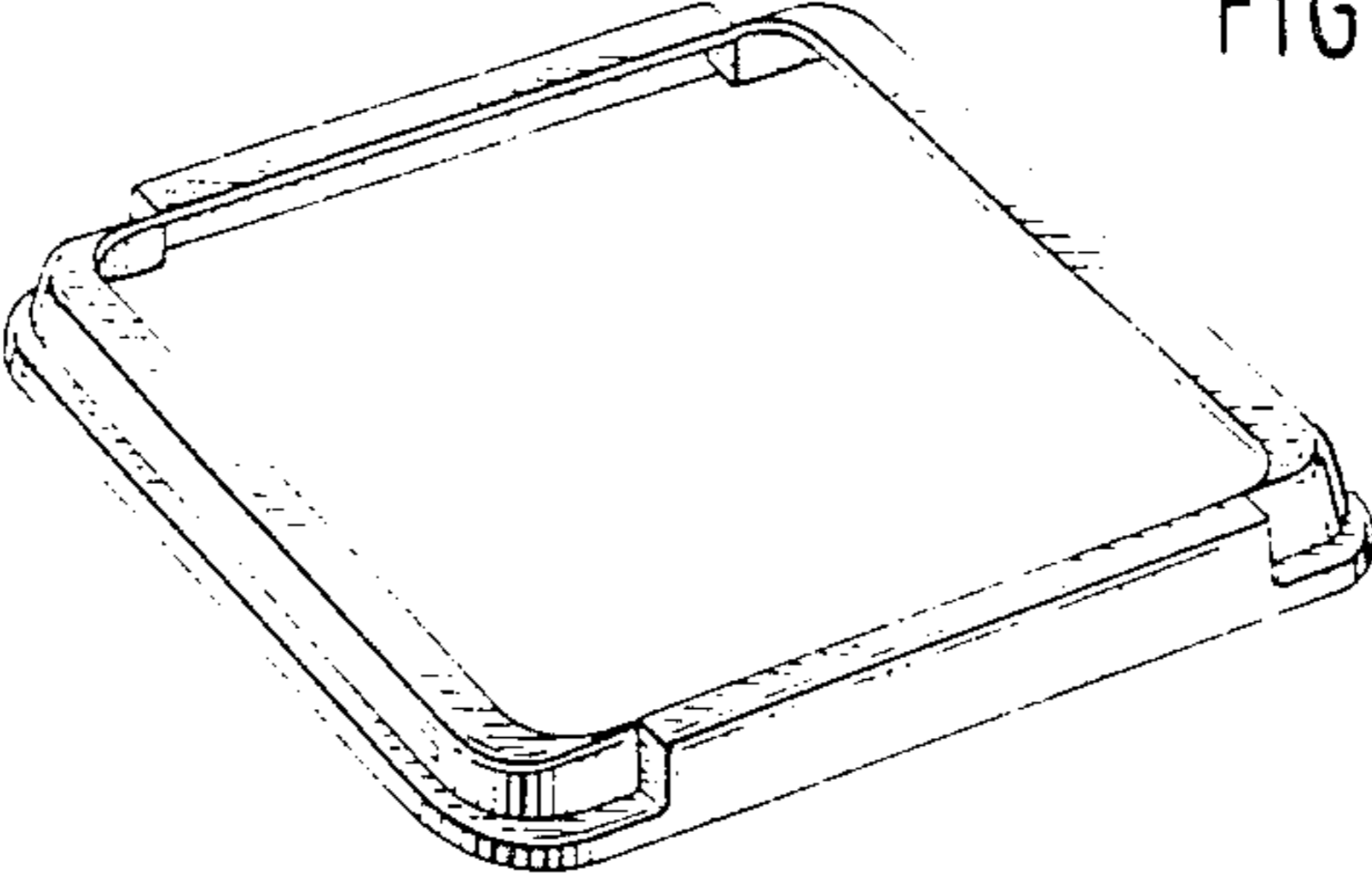


FIG. 10

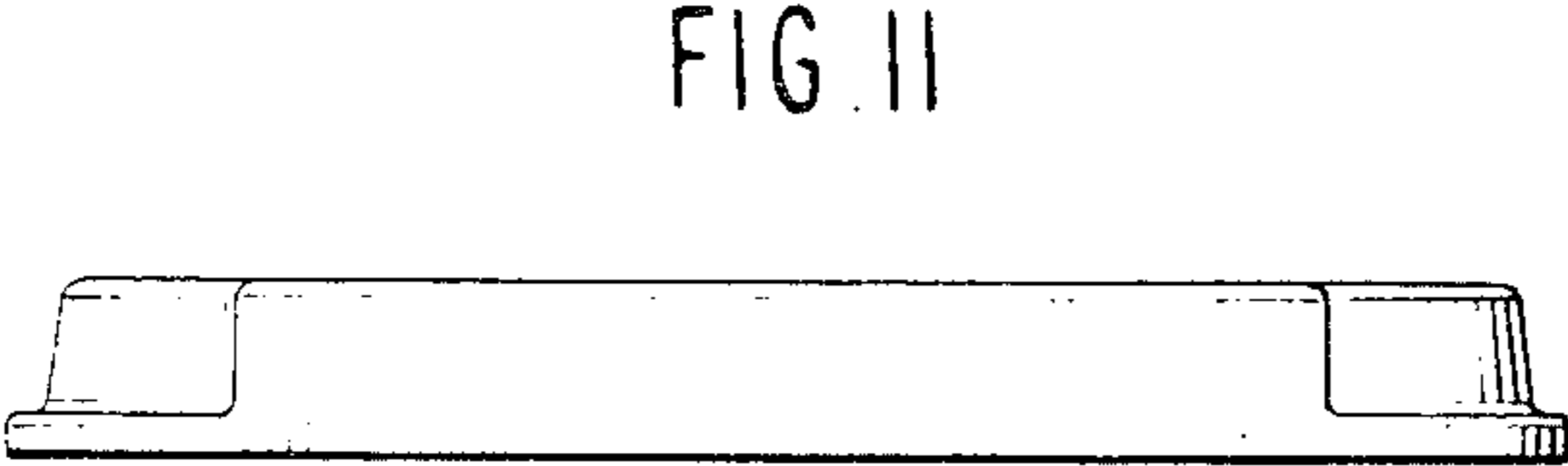


FIG. 11

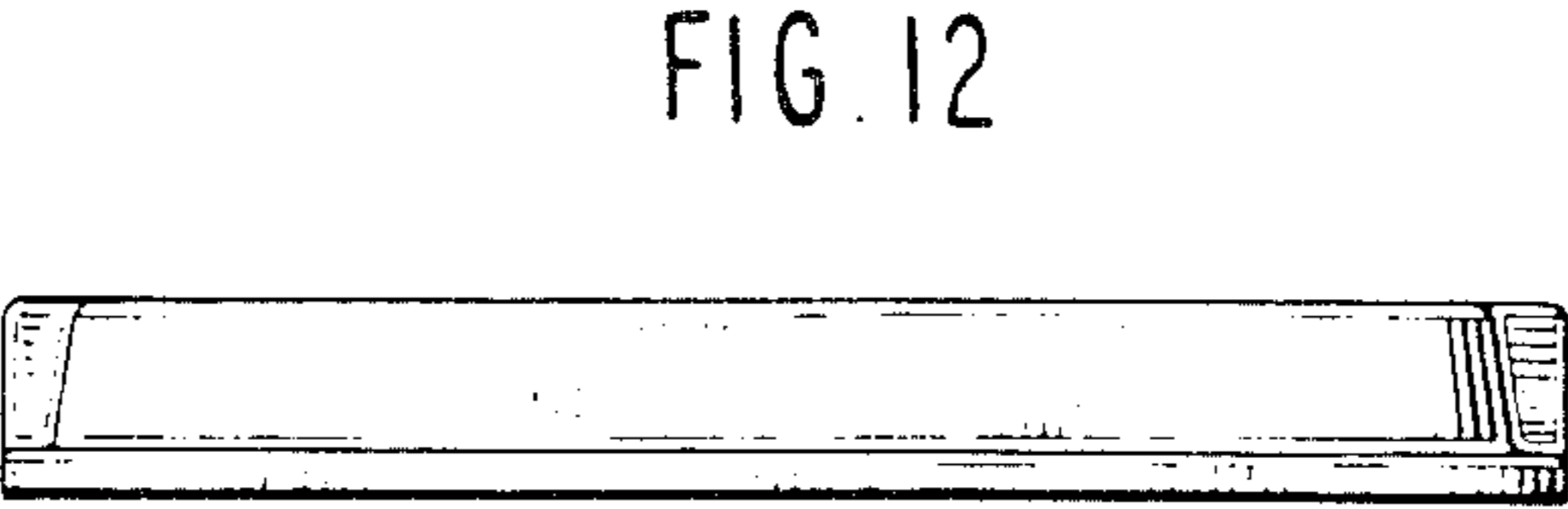


FIG. 12